

GENERAL INSTRUMENT	AY-5-8116/8116T AY-5-8136/8136T
--------------------	------------------------------------

035113  
035113

34

Res  
005649

Orig

5649

GI

## DUAL BAUD RATE GENERATOR

### FEATURES

- Single +5V power supply
- On-chip crystal oscillator 8116/8136 or external freq. input 8116/8116T/8136/8136T
- Direct compatibility with UART/USR1
- Dual selectable 16x clock outputs
- High freq. reference output (Available only on 8136/8136T)
- Reprogrammable ROM allowing generation of non-standard frequencies
- TTL, MOS compatibility
- Pin for pin and functionally compatible with SMC's COM 8116/8116T/8136/8136T
- General Instrument Advanced N-Channel Silicon Gate Process

### DESCRIPTION

The General Instrument AY-5-8116/8136 Series is a very versatile family of Dual Baud Rate Generators. The AY-5-8116/8116T and AY-5-8136/8136T are pin for pin functionally equivalent to SMC's COM 8116/8116 and COM 8136/8136T, respectively.

The AY-5-8116/8136 is designed to generate the full spectrum of 16 asynchronous/synchronous data communication frequencies for use with 16X and 32X UART/USR1 devices.

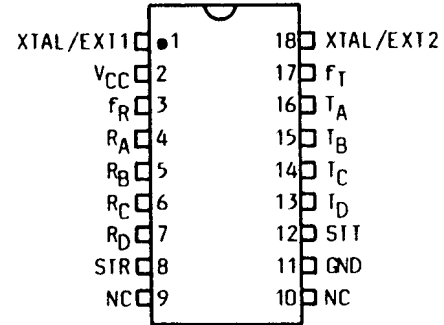
An on-chip crystal oscillator available on the 8116 and 8136 is capable of providing a master reference frequency. Alternatively, complimentary TTL level clock signals can be input to pins 1 and 18. The 8116T and 8136T are only suitable for this external TTL reference. When using TTL outputs to drive the XTAL/EXT inputs, they should not be used to drive other TTL inputs due to excessive loading which may result in a reduction of noise immunity.

Dividers are used on the output of the oscillator/buffer which generate the output frequencies  $f_1$  and  $f_R$ . These dividers can divide any integer from 6 to  $2^{19} + 1$ , inclusive. When using an even divisor, the output will be square; an odd divisor will cause the output to be high longer

### PIN CONFIGURATIONS 18 LEAD DUAL IN LINE

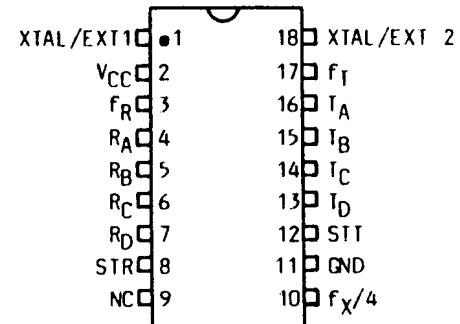
AY-5-8116/8116T

TOP VIEW



AY-5-8136/8136T

TOP VIEW



than it is low by one clock period ( $f_X$ ). The clock frequency ( $f_X$ ) is used by the 8136/8136T to provide a high frequency output ( $f_X/4$ ).

The 8116/8136 family allows generation of other frequencies with the use of its two divisor ROMs which contain 16 divisors, each 19 bits wide, allowing for up to 32 different divisors on custom parts.

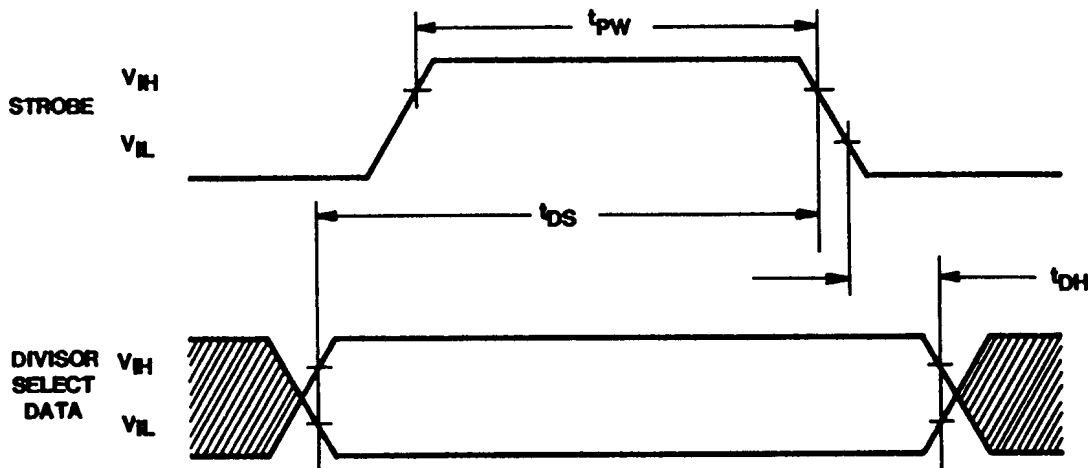
Externally strobed data latches are used to hold the divisor select bits,  $R_A$ - $R_D$  and  $f_A$ - $f_D$ . The strobe inputs, STR or STT, allow data to pass directly through the data latch when in the high state. A new frequency is initiated within 3.5 usec of a change in any of the four divisor select bits read by the device. Pull-up resistors are provided on the divisor select inputs while are not present on the strobe inputs.

GENERAL INSTRUMENT	AY-5-8116/8116T AY-5-8136/8136T
--------------------	------------------------------------

**PIN FUNCTIONS**

Pin No.	Signal	Function
1	XTAL/EXT1	Input is either one pin of the crystal package or one polarity of the external input.
2	V <sub>CC</sub>	Positive power supply - normally +5V.
3	f <sub>R</sub>	This output runs at a frequency selected by the Receiver divisor select data bits.
4-7	R <sub>A</sub> , R <sub>B</sub> , R <sub>C</sub> , R <sub>D</sub>	These inputs, as shown in Table 1, select the receiver output frequency, f <sub>R</sub> .
8	STR	A high level input strobe loads the receiver data (R <sub>A</sub> , R <sub>B</sub> , R <sub>C</sub> , R <sub>D</sub> ) into the receiver divisor select register. This input may be strobed or hard-wired to a high level.
9	NC	
10	NC or f <sub>X</sub> /4	NC (8116/8116T), f <sub>X</sub> /4 (8136/8136T).
11	GND	Ground.
12	SIT	A high level input strobe loads the transmitter data (I <sub>A</sub> , I <sub>B</sub> , I <sub>C</sub> , I <sub>D</sub> ) into the transmitter divisor select register. This input may be strobed or hard-wired to a high level.
13-16	I <sub>D</sub> , I <sub>C</sub> , I <sub>B</sub> , I <sub>A</sub>	These inputs, as shown in Table 1, select the transmitter output frequency, f <sub>T</sub> .
17	f <sub>T</sub>	This output runs at a frequency selected by the Transmitter divisor select data bits.
18	XTAL/EXT2	This input is either the other pin of the crystal package or the other polarity of the external input.

**TIMING DIAGRAM**



GENERAL INSTRUMENT	AY-5-8116/8116T AY-5-8136/8136T
-----------------------	------------------------------------

### ELECTRICAL CHARACTERISTICS

#### Maximum Ratings\*

Operating Temperature Range..... 0°C to +70°C  
 Storage Temperature Range..... -55°C to +150°C  
 Positive Voltage on any Pin,  
 with respect to ground..... +8.0V  
 Negative Voltage on any Pin,  
 with respect to ground..... -0.5V

\*Exceeding these ratings could cause permanent damage to the device. This is a stress rating only and functional operation of this device at these conditions is not implied. Operating ranges are specified in Standard Conditions. Exposure to absolute maximum rating conditions for extended periods may affect device reliability.

#### Standard Conditions (unless otherwise noted):

T<sub>A</sub> = 0°C to 70°C, V<sub>CC</sub> = +5V ±5%

Data labeled "typical" is presented for design guidance only and is not guaranteed.

### DC CHARACTERISTICS

Characteristic	Sym	Min	Typ	Max	Unit	Conditions
INPUT VOLTAGE LEVELS						
Low Level	V <sub>IL</sub>	-	-	0.8	V	excluding XTAL inputs
High Level	V <sub>IH</sub>	2.0	-	-	V	
OUTPUT VOLTAGE LEVELS						
Low Level	V <sub>OL</sub>	-	-	0.4	V	I <sub>OL</sub> = 1.6mA, for f <sub>X</sub> /4, I <sub>OL</sub> = 3.2mA, for f <sub>R</sub> , f <sub>T</sub> I <sub>OH</sub> = -100µA
				0.4	V	
High Level	V <sub>OH</sub>	3.5	-	-	V	
INPUT CURRENT						
Low-level	I <sub>IL</sub>	-	-	-0.1	mA	V <sub>IN</sub> = GND, R <sub>A</sub> -R <sub>D</sub> & T <sub>A</sub> -T <sub>D</sub> only
Input Capacitance All inputs		-	5	10	pF	V <sub>IN</sub> = GND, excluding XTAL inputs
Power Supply Current	I <sub>CC</sub>	-	-	50	mA	

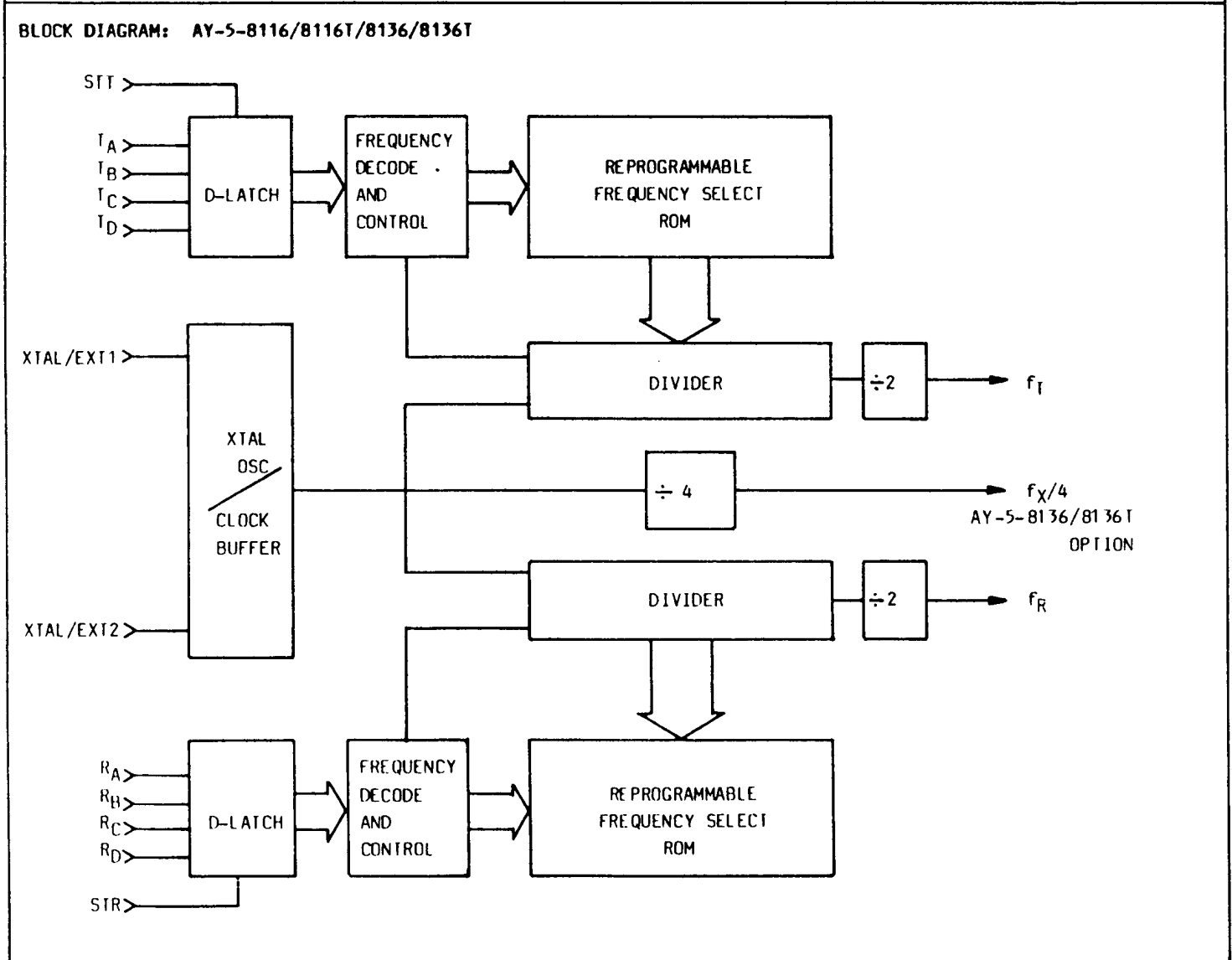
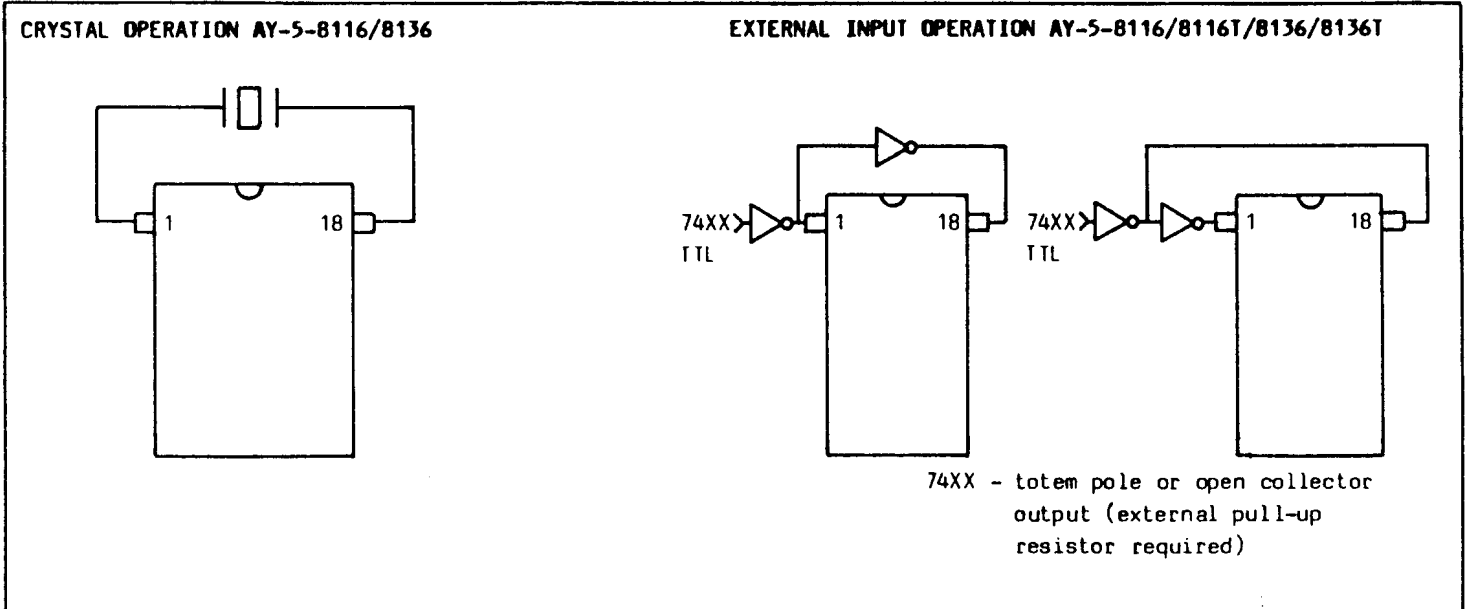
### AC CHARACTERISTICS

Characteristic	Sym	Min	Typ	Max	Unit	Conditions
Clock Frequency	f <sub>X</sub>	0.01	-	5.1	MHz	XTAL/EXT, 50% Duty Cycle ±5%  @f <sub>X</sub> = 5.0 MHz
Strobe Pulse Width	t <sub>PW</sub>	150	-	DC	ns	
Input Set-up Time	t <sub>DS</sub>	200	-	-	ns	
Input Hold Time	t <sub>DH</sub>	50	-	-	ns	
Strobe to new Frequency Delay		-	-	3.5	µs	

### CRYSTAL SPECIFICATIONS

Temperature range 0°C to +70°C  
 Series resistance ≤ 50Ω  
 Series resonant  
 Overall tolerance ± 0.01%

GENERAL INSTRUMENT	AY-5-8116/8116T AY-5-8136/8136T
-----------------------	------------------------------------



GENERAL INSTRUMENT	AY-5-8116/8116T AY-5-8136/8136T
-----------------------	------------------------------------

TABLE 1

Output Freq. AY-5-8116/8116T/8136/8136T

REFERENCE FREQUENCY = 5.068800MHz

Divisor Select DCBA	Desired Baud Rate	Clock Factor	Desired Frequency (KHz)	Divisor	Actual Baud Rate	Actual Frequency (KHz)	Deviation
0000	50.00	16X	0.80000	6336	50.00	0.800000	0.0000%
0001	75.00	16X	1.20000	4224	75.00	1.200000	0.0000%
0010	110.00	16X	1.76000	2880	110.00	1.760000	0.0000%
0011	134.50	16X	2.15200	2355	134.52	2.152357	0.0166%
0100	150.00	16X	2.40000	2112	150.00	2.400000	0.0000%
0101	300.00	16X	4.80000	1056	300.00	4.800000	0.0000%
0110	600.00	16X	9.60000	528	600.00	9.600000	0.0000%
0111	1200.00	16X	19.20000	264	1200.00	19.200000	0.0000%
1000	1800.00	16X	28.80000	176	1800.00	28.800000	0.0000%
1001	2000.00	16X	32.00000	158	2005.06	32.081013	0.2532%
1010	2400.00	16X	38.40000	132	2400.00	38.400000	0.0000%
1011	3600.00	16X	57.60000	88	3600.00	57.600000	0.0000%
1100	4800.00	16X	76.80000	66	4800.00	76.800000	0.0000%
1101	7200.00	16X	115.20000	44	7200.00	115.200000	0.0000%
1110	9600.00	16X	153.60000	33	9600.00	153.600000	0.0000%
1111	19200.00	16X	307.20000	16	19800.00	316.800000	3.1250%

Output Freq. AY-5-8116/8116T/8136/8136T-005

REFERENCE FREQUENCY = 4.915200MHz

Divisor Select DCBA	Desired Baud Rate	Clock Factor	Desired Frequency (KHz)	Divisor	Actual Baud Rate	Actual Frequency (KHz)	Deviation
0000	50.00	16X	0.80000	6144	50.00	0.800000	0.0000%
0001	75.00	16X	1.20000	4096	75.00	1.200000	0.0000%
0010	110.00	16X	1.76000	2793	109.93	1.758983	0.0100%
0011	134.50	16X	2.15200	2284	134.50	2.152000	0.0000%
0100	150.00	16X	2.40000	2048	150.00	2.400000	0.0000%
0101	300.00	16X	4.80000	1024	300.00	4.800000	0.0000%
0110	600.00	16X	9.60000	512	600.00	9.600000	0.0000%
0111	1200.00	16X	19.20000	256	1200.00	19.200000	0.0000%
1000	1800.00	16X	28.80000	171	1796.49	28.743859	0.1949%
1001	2000.00	16X	32.00000	154	1994.81	31.916883	0.2597%
1010	2400.00	16X	38.40000	128	2400.00	32.000000	0.0000%
1011	3600.00	16X	57.60000	85	3614.11	57.825882	0.5921%
1100	4800.00	16X	76.80000	64	4800.00	76.800000	0.0000%
1101	7200.00	16X	115.20000	43	7144.19	114.306976	0.7751%
1110	9600.00	16X	153.60000	32	9600.00	153.600000	0.0000%
1111	19200.00	16X	307.20000	16	19200.00	307.200000	0.0000%

<b>GENERAL INSTRUMENT</b>	<b>AY-5-8116/8116T</b> <b>AY-5-8136/8136T</b>
---------------------------	--

TABLE 1 (continued)

Output Freq. AY-5-8116/8116T/8136/8136T-006

REFERENCE FREQUENCY = 5.068800MHz

Divisor Select DCBA	Desired Baud Rate	Clock Factor	Desired Frequency (KHz)	Divisor	Actual Baud Rate	Actual Frequency (KHz)	Deviation
0000	50.00	32X	1.60000	3168	50.00	1.60000	0.0000%
0001	75.00	32X	2.40000	2112	75.00	2.40000	0.0000%
0010	110.00	32X	3.52000	1440	110.00	3.52000	0.0000%
0011	134.50	32X	4.30400	1177	134.56	4.30600	0.0600%
0100	150.00	32X	4.80000	1056	150.00	4.80000	0.0000%
0101	200.00	32X	6.40000	792	200.00	6.40000	0.0000%
0110	300.00	32X	9.60000	528	300.00	9.60000	0.0000%
0111	600.00	32X	19.20000	264	600.00	19.20000	0.0000%
1000	1200.00	32X	38.40000	132	1200.00	38.40000	0.0000%
1001	1800.00	32X	57.60000	88	1800.00	57.60000	0.0000%
1010	2400.00	32X	76.80000	66	2400.00	76.80000	0.0000%
1011	3600.00	32X	115.20000	44	3600.00	115.20000	0.0000%
1100	4800.00	32X	153.60000	33	4800.00	153.60000	0.0000%
1101	7200.00	32X	230.40000	22	7200.00	230.40000	0.0000%
1110	9600.00	32X	307.20000	16	9900.00	316.80000	3.1250%
1111	19200.00	32X	614.40000	8	19800.00	633.60000	3.1250%

Microelectronics Division/Worldwide Sales Offices

Printed in U.S.A. ©8116/8116T/8136/8136T-8403

**NORTH AMERICA**

**UNITED STATES:**

**MICROELECTRONICS DIVISION**  
NORTHEAST—600 West John Street  
Hicksville, New York 11802  
Tel: 516-733-3107. TWX: 510-221-1886

20th Century Plaza  
Danvers Webster Highway  
Merrimack, New Hampshire 03054  
Tel: 603-424-3303. TWX: 710-366-0878  
858 Weisen Road  
Maple Glen, Pennsylvania 19002  
Tel: 215-643-5326

SOUTHEAST—7901 4th Street N., Suite 208  
St. Petersburg, Florida 33702  
Tel: 813-577-0224. TWX: 910-883-0398

1616 Forest Drive  
Annapolis, Maryland 21403  
Tel: 301-269-8250. TWX: 710-887-8566

4921C Professional Court  
Raleigh, North Carolina 27608  
Tel: 919-878-7380

408 North Cedar Bluff Road, Suite 390  
Knoxville, Tennessee 37923  
Tel: 615-890-2233

SOUTH CENTRAL—5520 LBJ Fwy., Suite 330  
Dallas, Texas 75240  
Tel: 214-934-1634. TWX: 910-880-3259

CENTRAL—4524 S. Michigan Street  
South Bend, Indiana 46814  
Tel: 216-291-0585. TWX: 810-290-2518

5820 West 85th Street, Suite 102  
Indianapolis, Indiana 46278  
Tel: 317-872-7740. TWX: 810-341-3145

2355 S. Arlington Hts. Road, Suite 408  
Arlington Heights, Illinois 60005  
Tel: 312-981-0040. TWX: 910-687-0234

32969 Hamilton Court, Suite 210  
Farmington Hills, Michigan 48018  
Tel: 313-553-4330. Telex: 231193

236 North River Ridge Circle, Suite 118  
Burnsville, Minnesota 55337  
Tel: 612-894-1840. TWX: 910-5760240

SOUTHWEST—201 Standard Street  
El Segundo, California 90245  
Tel: 213-322-7745. TWX: 910-348-8286

NORTHWEST—3080 Olcott Street, Suite 230C  
Santa Clara, California 95051  
Tel: 408-496-0844. TWX: 310-378-0070

EUROPE  
NORTHERN EUROPE  
Times House, Rushin, Middlesex HA4 6LE  
Tel: (08956) 35730. Telex: 23272  
Sandensmögaten 67, S-115 28 Stockholm  
Tel: (08) 67 98 25. Telex: 17779

**SOUTHERN EUROPE**

5-7 Rue De L'Amiral Courbet,  
94480 Sainte Mande, Paris  
Tel: (1) 385 72 50. Telex: 213073  
Via Quinikano 27, 20138 Milano  
Tel: (02) 5062648. Telex: 843-320344

**CENTRAL EUROPE**

GENERAL INSTRUMENT DEUTSCHLAND GmbH  
Freschuetzstr. 96  
Postfach 81 03 29  
8000 Muenchen 81  
Tel: (089) 958001. Telex: 528054  
8070 Langen Bei Frankfurt A Main  
Wilhelm-Leuschner Platz 8, Postf. 1167  
Tel: (6103) 23 051. Telex: 415000

**ASIA**

HONG KONG:  
GENERAL INSTRUMENT HONG KONG LTD.  
139 Connaught Road Central, 3/F San-Tai Building  
Tel: (31) 434360. Telex: 84608

**JAPAN:**

GENERAL INSTRUMENT INTERNATIONAL CORP.  
Fukuda Bldg. 3rd Floor, 1-13 Toranomon 4-Chome  
Minato-ku, Tokyo 105  
Tel: (03) 437-0281. Telex: 2423413

**KOREA:**

GENERAL INSTRUMENT MICROELECTRONICS  
Dong Young Building, 803  
52, 1-KA, Ulgro, Chung Ku  
Seoul, South Korea  
Tel: (2) 777-3848. Telex: K 26880 DAEO

**SINGAPORE:**

GENERAL INSTRUMENT HONG KONG LTD.  
Suite 1714, Shew Centre  
1 Scotts Road, Singapore 0922  
Tel: (65) 235-6030. Telex: GIS-PORE RS 24424

**TAIWAN:**

GENERAL INSTRUMENT  
MICROELECTRONICS TAIWAN  
77 Pao Chiao Road, Hsin Tien  
Taipei, Taiwan  
Tel: (02) 914-8234. Telex: 795-3111

The information in this publication, including schematics, is suggestive only. General Instrument Corporation does not warrant, nor will it be responsible or liable for, the accuracy of such information, its use or for any infringement of patents or other rights of third parties.

**GENERAL INSTRUMENT**