



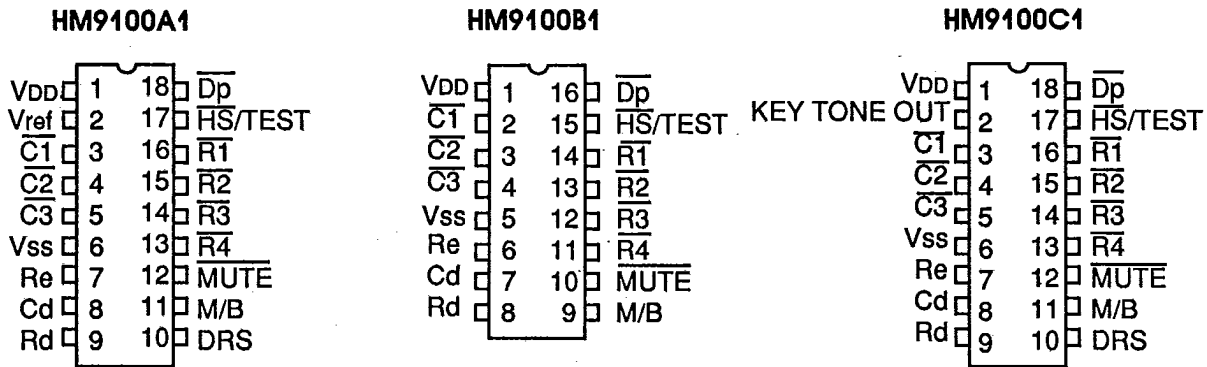
# HM9100 A1/B1/C1

## TOUCH PULSE DIALER WITH REDIAL

### Features

- Key tone output: 1 kHz square wave (HM 9100C1 only)
- 2.0 V to 5.5V supply voltage.
- Continuous mute.
- Redial with either "\*" or "#" key depressed.
- 16 digits capacity for redialing.
- Uses either inexpensive single contact XY matrix keyboard or standard 2-of-7 keyboard with negative common.
- Inexpensive RC oscillator network.
- Low stand-by power consumption.
- Inter-Digit pause is 800ms/400ms depending on 10pps or 20pps. (HM 9100B1: dial rate is 10pps)

### Pin Assignment



### Keyboard Scheme

COL1	COL2	COL3	
1	2	3	ROW1
4	5	6	ROW2
7	8	9	ROW3
*	0	#	ROW4

"\*", "#": Redial