

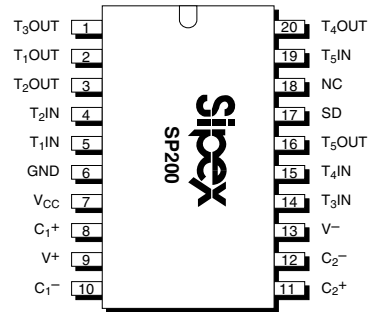


SP200/204/206/207/208/211/213

+5V High-Speed RS-232 Transceivers with 0.1μF Capacitors

FEATURES

- 0.1μF External Charge Pump Capacitors
- 120kbps Data Rate
- Standard SOIC and SSOP Packages
- Multiple Drivers and Receivers
- Single 5V Supply Operation
- 1μA Shutdown Mode
- WakeUp Feature in Shutdown Mode
- Tri-State Receiver Outputs
- Meets All RS-232 and V.28 Specifications
- Improved Driver Output Capacity for Mouse Applications
- ±10kV ESD Protection*



Now Available in Lead Free Packaging

Note: See page 4 & 5 for other pinouts.

DESCRIPTION

The **SP200 Series** are multi-channel RS-232 line transceivers in a variety of configurations to fit most communication needs. All models in this Series feature low-power CMOS construction and **Sipex** patented (5,306,954) on-board charge pump circuitry to generate the ±10V RS-232 voltage levels, using 0.1μF charge pump capacitors to save board space and reduce circuit cost. The **SP200**, **SP206**, **SP207B**, **SP211** and **SP213** models feature a low-power shutdown mode, which reduces power supply drain to 1μA. A WakeUp function keeps the receivers active in the shutdown mode.

| Model | Number of RS-232 | | No. of Receivers Active in Shutdown | No. of External 0.1μF Capacitors | Shutdown | WakeUp | TTL Tri-State |
|--------|------------------|-----------|-------------------------------------|----------------------------------|----------|--------|---------------|
| | Drivers | Receivers | | | | | |
| SP200 | 5 | 0 | 0 | 4 | Yes | No | No |
| SP204 | 4 | 0 | 0 | 4 | No | No | No |
| SP206 | 4 | 3 | 0 | 4 | Yes | No | Yes |
| SP206B | 4 | 3 | 3 | 4 | Yes | Yes | Yes |
| SP207 | 5 | 3 | 0 | 4 | No | No | No |
| SP207B | 5 | 3 | 3 | 4 | Yes | Yes | Yes |
| SP208 | 4 | 4 | 0 | 4 | No | No | No |
| SP211 | 4 | 5 | 0 | 4 | Yes | No | Yes |
| SP211B | 4 | 5 | 5 | 4 | Yes | Yes | Yes |
| SP213 | 4 | 5 | 2 | 4 | Yes | Yes | Yes |

Table 1. Model Selection Table

**All driver outputs and receiver inputs characterized per MIL-STD-883C Method 3015.7*

ABSOLUTE MAXIMUM RATINGS

| | | |
|--|--|------------|
| V _{CC} | +6V | |
| V ⁺ | (V _{CC} - 0.3V) to +13.2V | |
| V ⁻ | 13.2V | |
| Input Voltages | | |
| T _{IN} | -0.3V to (V _{CC} +0.3V) | |
| R _{IN} | ±20V | |
| Output Voltages | | |
| T _{OUT} | (V ⁺ , +0.3V) to (V ⁻ , -0.3V) | |
| R _{OUT} | -0.3V to (V _{CC} +0.3V) | |
| Short Circuit Duration on T _{OUT} | | Continuous |
| Power Dissipation | | |
| Plastic DIP | 375mW | |
| (derate 7mW/°C above +70°C) | | |
| Small Outline | 375mW | |
| (derate 7mW/°C above +70°C) | | |

These are stress ratings only and functional operation of the device at these or any other above those indicated in the operation sections of the specifications below is not implied. Exposure to absolute maximum rating conditions for extended periods of time may affect reliability.

ELECTRICAL CHARACTERISTICS

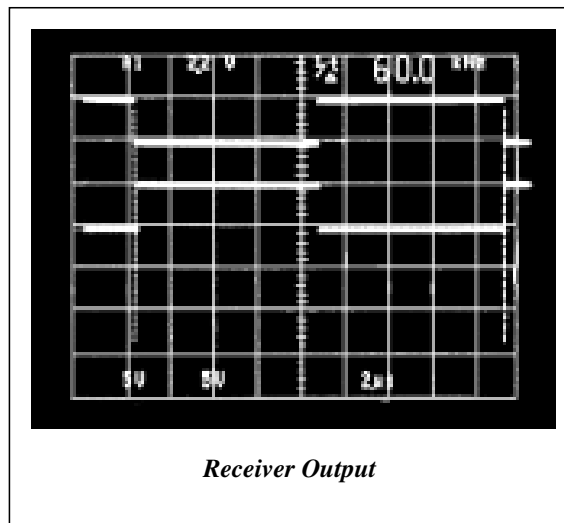
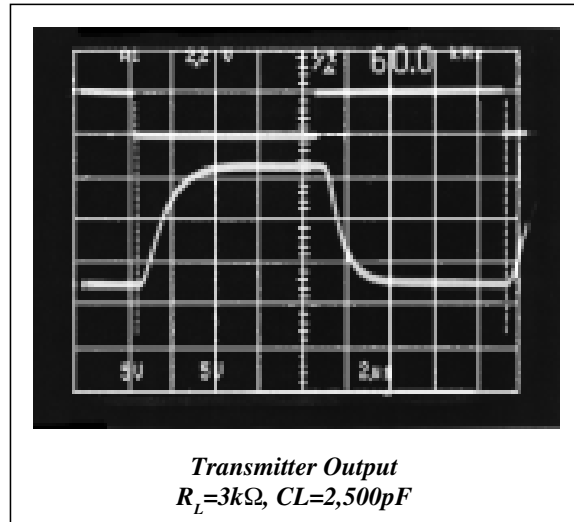
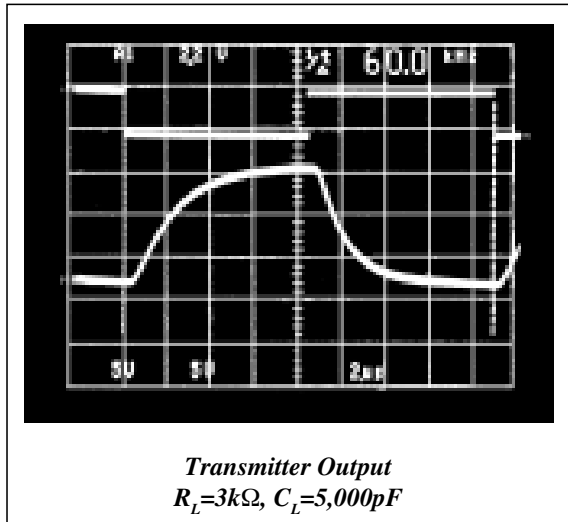
V_{CC} at nominal ratings; 0.1μF charge pump capacitors; T_{MIN} to T_{MAX}, unless otherwise noted.

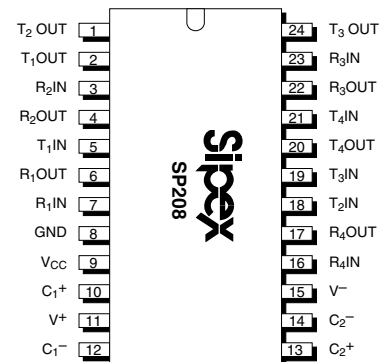
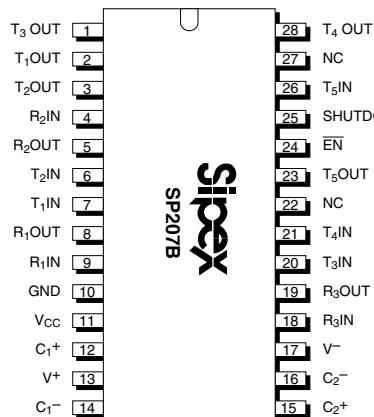
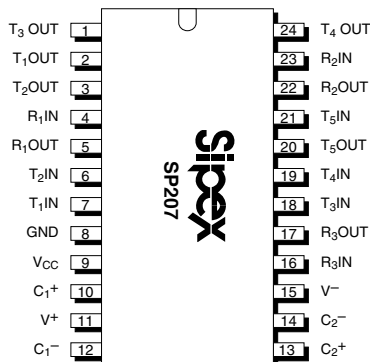
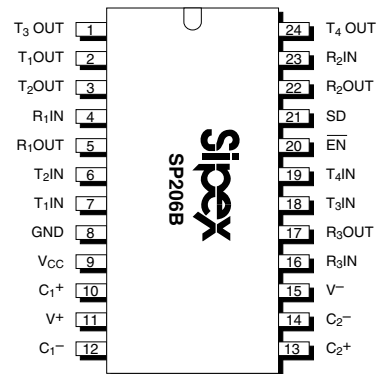
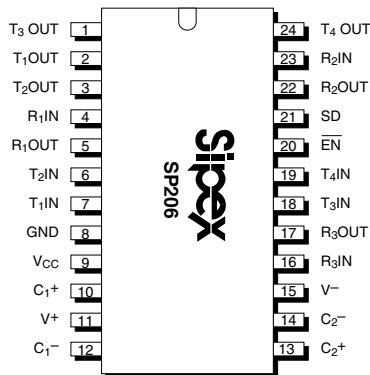
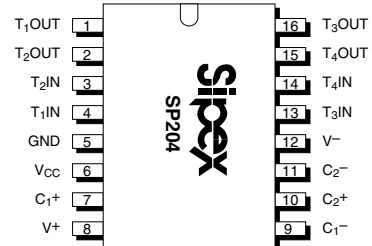
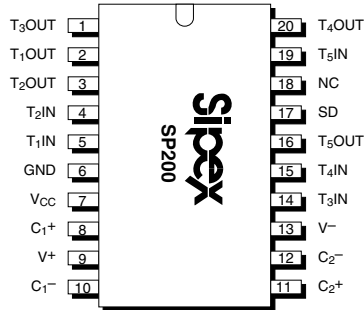
| PARAMETER | MIN. | TYP. | MAX. | UNIT | CONDITIONS |
|--------------------------------|------|----------|------|-------|--|
| TTL INPUTS | | | | | |
| Logic Threshold | | | 0.8 | Volts | T _{IN} , EN, SD |
| V _{IL} | 2.0 | | | Volts | |
| V _{IH} | | 15 | 200 | μA | T _{IN} = 0V |
| Logic Pullup Current | | | | kbps | C _L = 2,500pF, R _L = 3kΩ |
| Maximum Data Rate | 120 | | | | |
| TTL OUTPUTS | | | | | |
| Compatibility | | TTL/CMOS | | | |
| V _{OL} | 3.5 | | 0.4 | Volts | I _{OUT} = 3.2mA; V _{CC} = +5V |
| V _{OH} | | | | Volts | I _{OUT} = -1.0mA |
| Leakage Current | | 0.05 | ±10 | μA | EN = V _{CC} ; 0V ≤ V _{OUT} ≤ V _{CC} ; T _A = +25°C |
| RS-232 OUTPUT | | | | | |
| Output Voltage Swing | ±5 | ±7 | | Volts | All transmitter outputs loaded with 3kΩ to ground |
| Output Resistance | 300 | | | Ohms | V _{CC} = 0V; V _{OUT} = ±2V |
| Output Short Circuit Current | | ±25 | | mA | Infinite duration |
| RS-232 INPUT | | | | | |
| Voltage Range | -15 | | +15 | Volts | |
| Voltage Threshold | | | | | |
| LOW | 0.8 | 1.2 | | Volts | V _{CC} = 5V, T _A = +25°C |
| HIGH | | 1.7 | 2.4 | Volts | V _{CC} = 5V, T _A = +25°C |
| Hysteresis | 0.2 | 0.5 | 1.0 | Volts | V _{CC} = +5V |
| Resistance | 3 | 5 | 7 | kΩ | ±15V; T _A = +25°C |
| DYNAMIC CHARACTERISTICS | | | | | |
| Propagation Delay | | 1.5 | | μs | RS-232-to-TTL |
| Instantaneous Slew Rate | | | 30 | V/μs | C _L = 50pF, R _L = 3-7kΩ; T _A = +25°C |
| Transition Region Slew Rate | | 5 | | V/μs | C _L = 2,500pF, R _L = 3kΩ; measured from +3V to -3V or -3V to +3V |
| Output Enable Time | | 400 | | ns | |
| Output Disable Time | | 250 | | ns | |

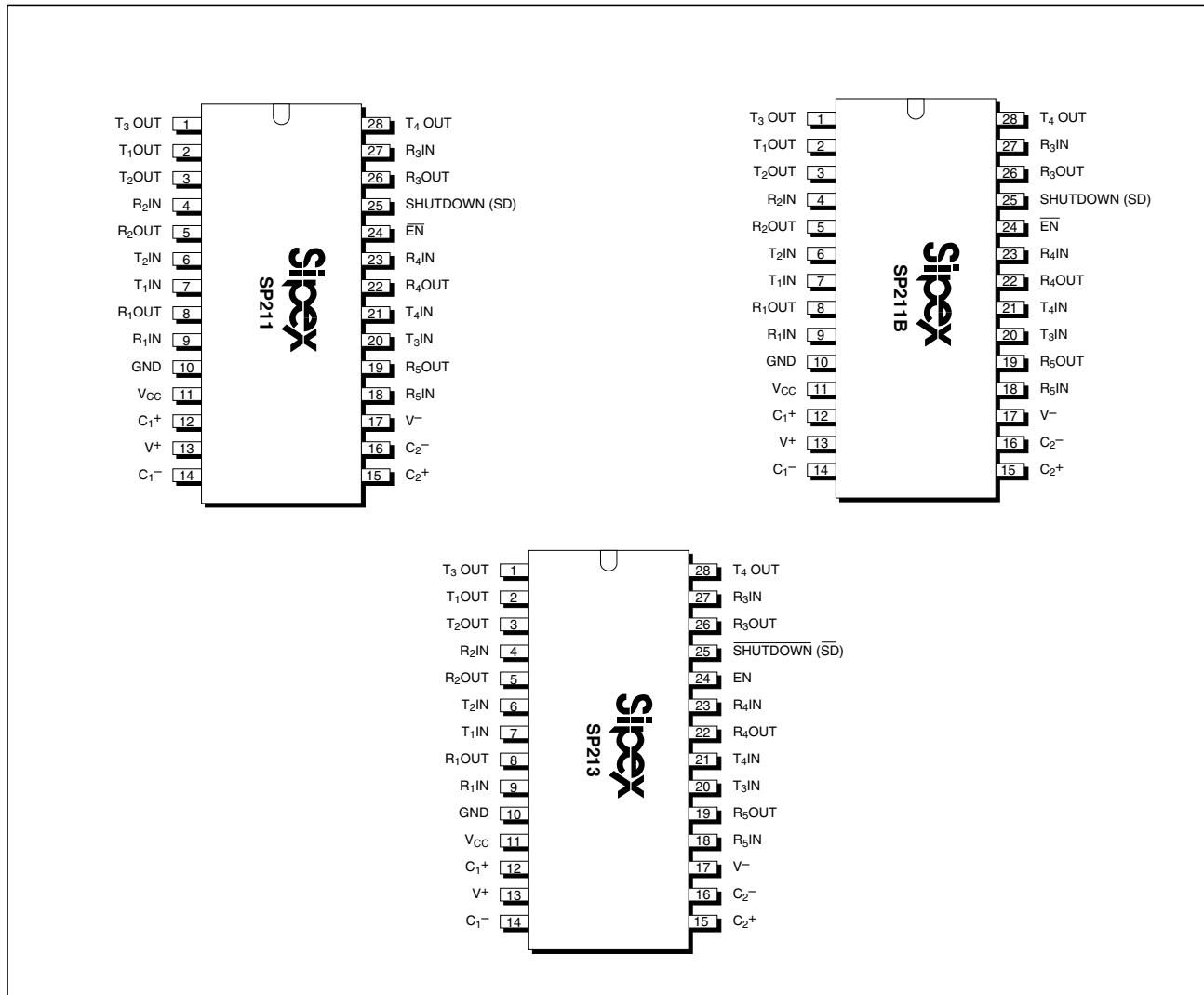
ELECTRICAL CHARACTERISTICS

V_{CC} at nominal ratings; 0.1 μ F charge pump capacitors; T_{MIN} to T_{MAX} , unless otherwise noted.

| PARAMETER | MIN. | TYP. | MAX. | UNIT | CONDITIONS |
|-------------------------------------|-----------------------------|------|------|------------------|---|
| POWER REQUIREMENTS | | | | | |
| V_{CC} SP200, P207 and SP207B | 4.75 | 5.00 | 5.25 | Volts | $T_A = +25^\circ\text{C}$ No load; $V_{CC} = \pm 10\%$ All transmitters $R_L = 3k\Omega$ $T_A = +25^\circ\text{C}$ |
| All other parts | 4.50 | 5.00 | 5.50 | Volts | |
| I_{CC} | | 4 | 10 | mA | |
| | | 20 | | mA | |
| Shutdown Current | | 1 | 10 | μA | |
| ENVIRONMENTAL AND MECHANICAL | | | | | |
| Operating Temperature | | | | | |
| Commercial, -C | 0 | | +70 | $^\circ\text{C}$ | |
| Extended, -E | -40 | | +85 | $^\circ\text{C}$ | |
| Storage Temperature | -65 | | +125 | $^\circ\text{C}$ | |
| Package | | | | | |
| -A | Shrink (SSOP) small outline | | | | |
| -T | Wide (SOIC) small outline | | | | |







FEATURES...

The **SP200 Series** multi-channel RS-232 line transceivers provide a variety of configurations to fit most communication needs, especially those applications where ±12V is not available. All models in this Series feature low-power CMOS construction and **Sipex** proprietary on-board charge pump circuitry to generate the ±10V RS-232 voltage levels. The ability to use 0.1µF charge pump capacitors saves board space and reduces circuit cost. Different models within the Series provide different driver/receiver combinations to match any application requirement.

The **SP200, SP206, SP207B, SP211** and **SP213** models feature a low-power shutdown mode, which reduces power supply drain to 1µA. The WakeUp function keeps the receivers active in

the shutdown mode, unless disabled by the EN pin. Models with a “B” suffix are equipped with the WakeUp function.

Models in the Series are available in 28-pin SO (wide) and SSOP (shrink) small outline packages. Devices can be specified for commercial (0°C to +70°C) and industrial/extended (-40°C to +85°C) operating temperatures.

THEORY OF OPERATION
Charge-Pump

The charge pump is a **Sipex** patented design (5,306,954) and uses a unique approach compared to older less-efficient designs. The charge pump still requires four external capacitors, but uses a four-phase voltage shifting technique to

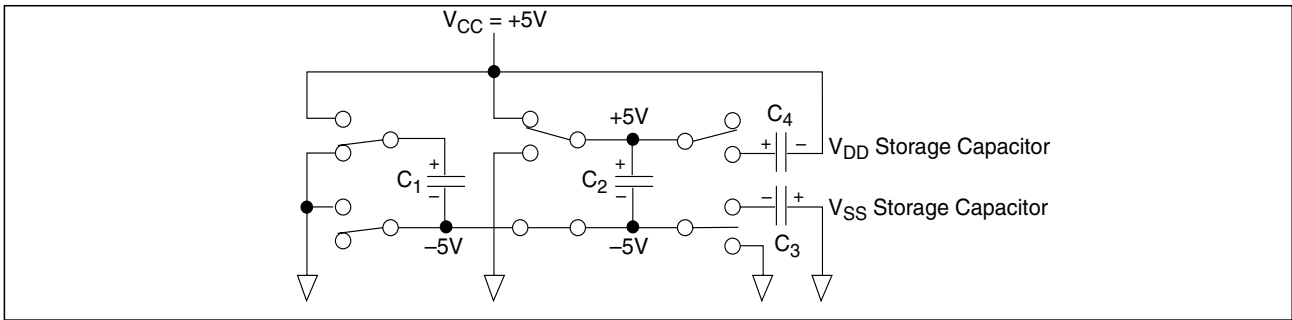


Figure 1. Charge Pump — Phase 1

attain symmetrical $\pm 10\text{V}$ power supplies. Figure 3a shows the waveform found on the positive side of capacitor C_2 , and Figure 3b shows the negative side of capacitor C_2 . There is a free-running oscillator that controls the four phases of the voltage shifting. A description of each phase follows.

Phase 1

— V_{SS} charge storage — During this phase of the clock cycle, the positive side of capacitors C_1 and C_2 are initially charged to $+5\text{V}$. C_1^+ is then switched to ground and the charge in C_1^- is transferred to C_2^- . Since C_2^+ is connected to $+5\text{V}$, the voltage potential across capacitor C_2 is now 10V .

Phase 2

— V_{SS} transfer — Phase two of the clock connects the negative terminal of C_2 to the V_{SS} storage capacitor and the positive terminal of C_2 to ground, and transfers the generated -10V to C_3 . Simultaneously, the positive side of capacitor C_1 is switched to $+5\text{V}$ and the negative side is connected to ground.

Phase 3

— V_{DD} charge storage — The third phase of the clock is identical to the first phase — the charge

transferred in C_1 produces -5V in the negative terminal of C_1 , which is applied to the negative side of capacitor C_2 . Since C_2^+ is at $+5\text{V}$, the voltage potential across C_2 is 10V .

Phase 4

— V_{DD} transfer — The fourth phase of the clock connects the negative terminal of C_2 to ground, and transfers the generated 10V across C_2 to C_4 , the V_{DD} storage capacitor. Again, simultaneously with this, the positive side of capacitor C_1 is switched to $+5\text{V}$ and the negative side is connected to ground, and the cycle begins again.

Since both V^+ and V^- are separately generated from V_{CC} ; in a no-load condition V^+ and V^- will be symmetrical. Older charge pump approaches that generate V^- from V^+ will show a decrease in the magnitude of V^- compared to V^+ due to the inherent inefficiencies in the design.

The clock rate for the charge pump typically operates at 15kHz . The external capacitors can be as low as $0.1\mu\text{F}$ with a 16V breakdown voltage rating.

The **SP200 Series** devices are made up of three basic circuit blocks — 1) transmitter/driver, 2) receiver and 3) the **Sipex** proprietary charge

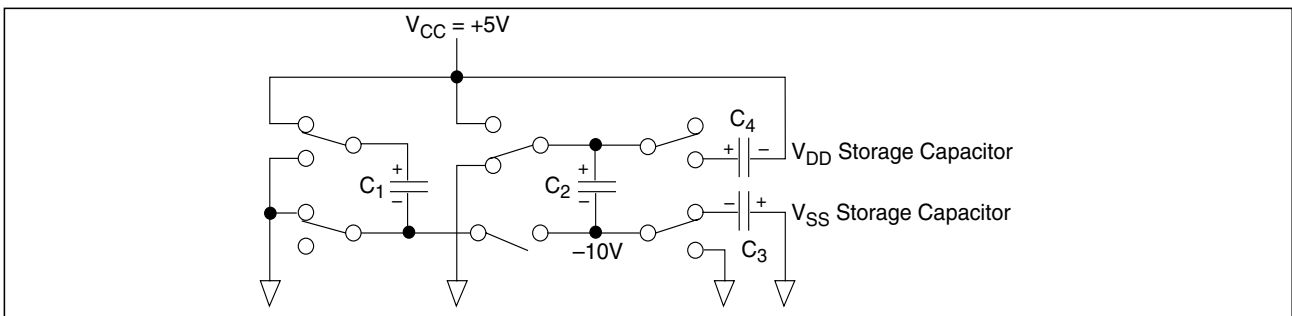


Figure 2. Charge Pump — Phase 2

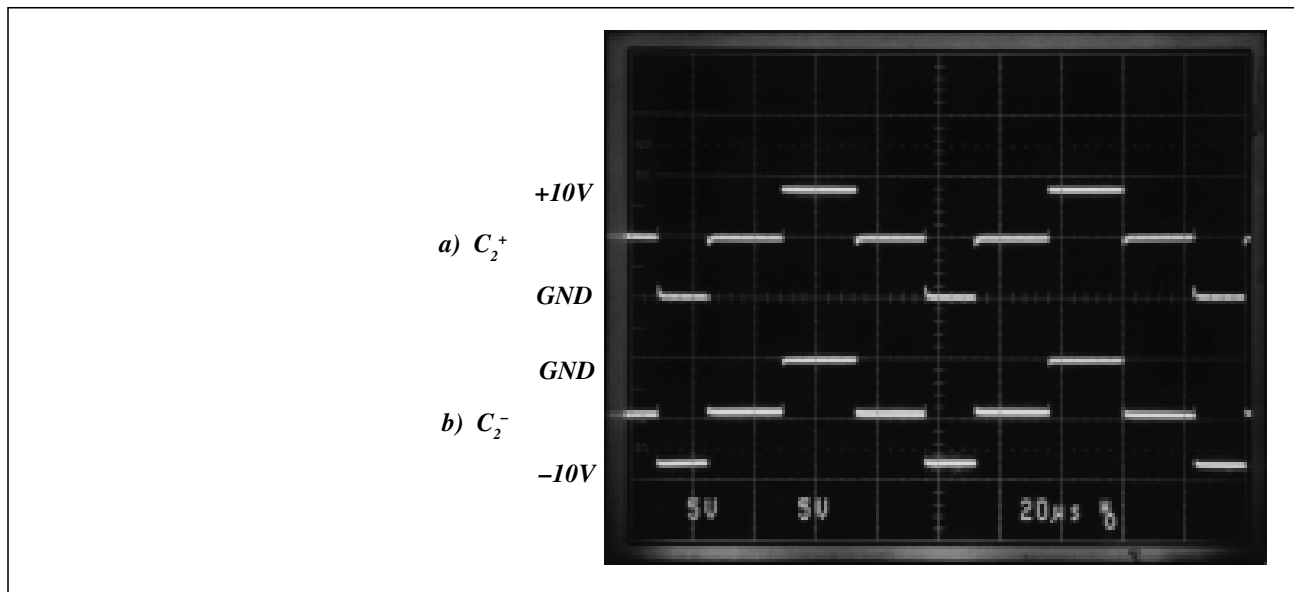


Figure 3. Charge Pump Waveforms

pump. Each model within the Series incorporates variations of these circuits to achieve the desired configuration and performance.

Transmitter/Driver

The drivers are inverting transmitters, which accept either TTL or CMOS inputs and output the RS-232 signals with an inverted sense relative to the input logic levels. Typically, the RS-232 output voltage swing is $\pm 9V$ with no load, and $\pm 5V$ minimum with full load. The transmitter outputs are protected against infinite short-circuits to ground without degradation in reliability. The drivers of the **SP200**, **SP206**, **SP206B**, **SP207B**, **SP211**, **SP211B** and **SP213** can be tri-stated by using the SHUTDOWN function.

In the “power off” state, the output impedance will remain greater than 300 Ohms, again satisfying the RS-232 specifications. Should the input of the

driver be left open, an internal 400kOhm pullup resistor to V_{CC} forces the input high, thus committing the output to a low state. The slew rate of the transmitter output is internally limited to a maximum of $30V/\mu s$ in order to meet the EIA standards (EIA RS-232D 2.1.7, Paragraph 5). The transition of the loaded output from high to low also meets the monotonicity requirements of the standard.

Receivers

The receivers convert RS-232 input signals to inverted TTL signals. Since the input is usually from a transmission line where long cable lengths and system interference can degrade the signal, the inputs have a typical hysteresis margin of 500mV. This ensures that the receiver is virtually immune to noisy transmission lines. Should an input be left unconnected, a 5kOhm pulldown resistor to ground will commit the output of the receiver to a high state.

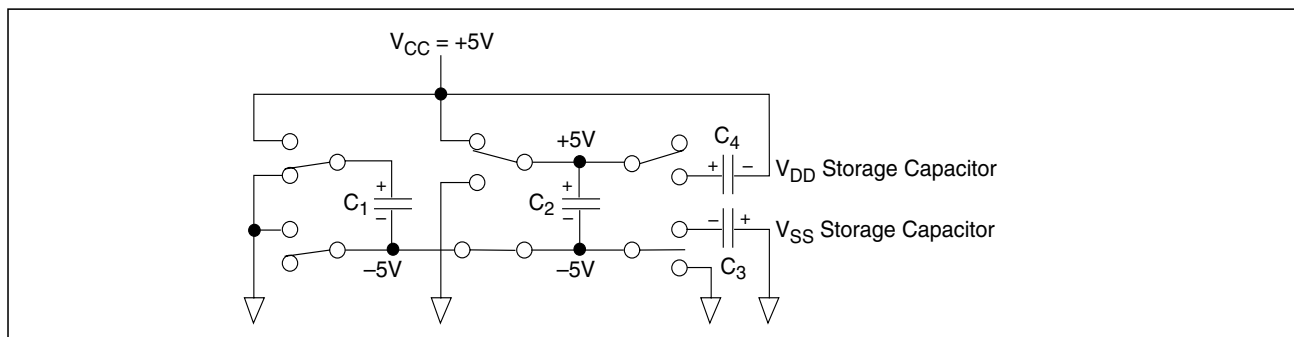


Figure 4. Charge Pump — Phase 3

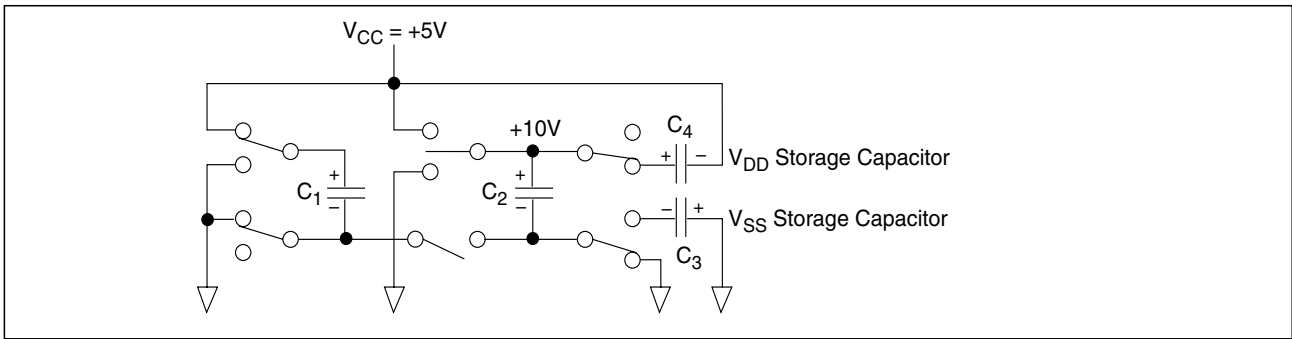


Figure 5. Charge Pump — Phase 4

SHUTDOWN MODE

The **SP200**, **SP206**, **SP206B**, **SP207B**, **SP211**, **SP211B** and **SP213** all feature a control input which will disable the device and reduce the power supply current to less than 10µA, making the parts ideal for battery-powered systems. In the “shutdown” mode the receivers and transmitters will both be tri-stated. The V⁺ output of the charge pump will discharge to V_{CC}, and the V⁻ output will discharge to ground. Products with the WakeUp function can enable or disable the receivers during shutdown.

For complete shutdown to occur and the 10µA power drain to be realized, the following conditions must be met:

SP200, SP206/B, SP207B and SP211/B:

- +5V must be applied to the SD pin
- $\overline{\text{ENABLE}}$ must be either 0V, +5.0V or not connected
- the transmitter inputs must be either +5.0V or not connected
- V_{CC} must be +5V
- Receiver inputs must be >0V and <+5V

SP213:

- 0V must be applied to the $\overline{\text{SD}}$ pin
- ENABLE must be either 0V, +5.0V or not connected
- the transmitter inputs must be either +5.0V or not connected
- V_{CC} must be +5V
- Receiver inputs must be >0V and <+5V

ENABLE

The **SP206/B**, **SP207/B**, **SP211** and **SP213** all feature an enable input, which allows the receiver outputs to be either tri-stated or enabled. This can be especially useful when the receiver is tied directly to a microprocessor data bus. For the **SP206/B**, **SP207/B** and **SP211**, enable is active low; that is, 0V applied to the ENABLE pin will enable the receiver outputs. For the **SP213**, enable is active high; that is, +5V applied to the ENABLE pin will enable the receiver outputs.

WAKEUP FUNCTION

The **SP206B**, **SP207B**, **SP211B** and **SP213** have a wake-up feature that keeps two or more receivers in an enabled state when the device is in the shutdown mode. The **SP213** has two receivers active (R₄ and R₅), while the **SP207B** and **SP211B** have all receivers active during shutdown. With only the receivers active during shutdown, the devices draw 5–10µA of supply current.

| SD | $\overline{\text{EN}}$ | SP213 Only | | Power Up/Down | Receiver Outputs |
|----|------------------------|------------------------|----|---------------|------------------|
| | | $\overline{\text{SD}}$ | EN | | |
| 0 | 0 | 1 | 1 | Up | Enable |
| 0 | 1 | 1 | 0 | Up | Tri-state |
| 1 | 0 | 0 | 1 | Down | Enable |
| 1 | 1 | 0 | 0 | Down | Tri-state |

Table 2. Wake-Up Truth Table

A typical application of this function would be where a modem is interfaced to a computer in a power-down mode. The ring indicator signal from the modem could be passed through an active receiver in the **SP2XXB/SP213** that is itself in the shutdown mode. The ring indicator signal would propagate through the **SP2XXB/SP213** to the power management circuitry of the

computer to power up the microprocessor and the **SP2XXB/SP213** drivers. After the supply voltage to the **SP2XXB/SP213** reaches +5.0V, the SHUTDOWN pin can be disabled, taking the **SP2XXB/SP213** out of the shutdown mode.

All receivers that are active during shutdown maintain 500mV (typ.) of hysteresis.

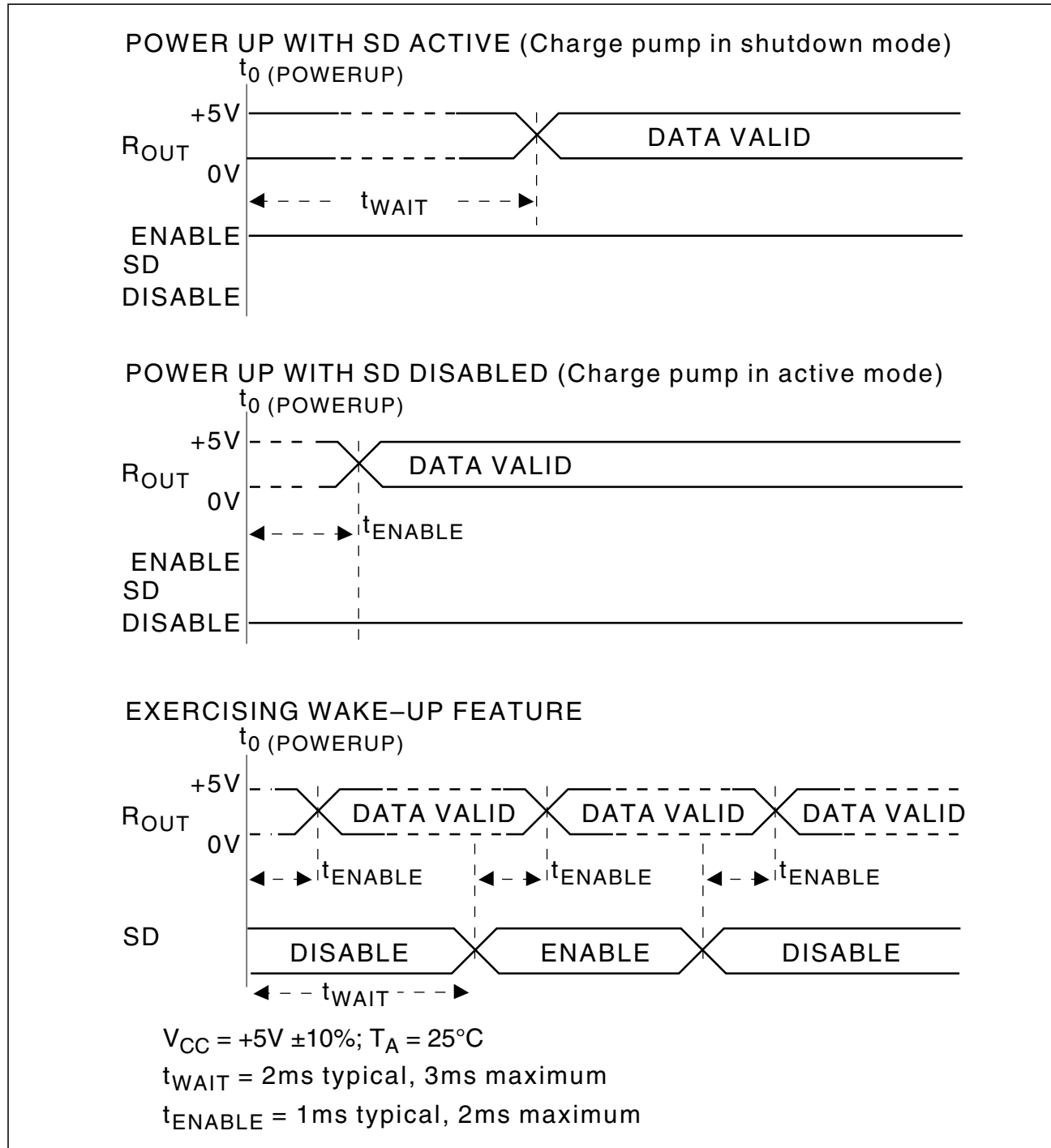


Figure 6. Wake-Up Timing

| Specification | RS-232D | RS-423A | RS-422 | RS-485 | RS-562 |
|---|-------------------------------------|--------------------------------------|------------------------------------|--|---|
| Mode of Operation | Single-Ended | Single-Ended | Differential | Differential | Single-Ended |
| No. of Drivers and Receivers Allowed on One Line | 1 Driver 1 Receiver | 1 Driver 10 Receivers | 1 Driver 10 Receivers | 32 Drivers 32 Receivers | 1 Driver 1 Receiver |
| Maximum Cable Length | 50 feet | 4,000 feet | 4,000 feet | 4,000 feet | $C \leq 2,500\text{pF}$ @ <20kbps; $C \leq 1,000\text{pF}$ @ >20kbps |
| Maximum Data Rate | 20kbps | 100kbps | 10Mbps | 10Mbps | 64kbps |
| Driver output Maximum Voltage | $\pm 25\text{V}$ | $\pm 6\text{V}$ | -0.25V to $+6\text{V}$ | -7V to $+12\text{V}$ | -3.7V to $+13.2\text{V}$ |
| Driver Output Signal Level Loaded Unloaded | $\pm 5\text{V}$ $\pm 15\text{V}$ | $\pm 3.6\text{V}$ $\pm 6\text{V}$ | $\pm 2\text{V}$ $\pm 5\text{V}$ | $\pm 1.5\text{V}$ $\pm 5\text{V}$ | $\pm 3.7\text{V}$ $\pm 13.2\text{V}$ |
| Driver Load Impedance | 3 – 7kohm | 450 ohm | 100 ohm | 54 ohm | 3–7kohm |
| Max. Driver Output Current (High Impedance State) Power On Power Off | $V_{\text{MAX}}/300$ | 100 μA | $\pm 100\mu\text{A}$ | $\pm 100\mu\text{A}$ $\pm 100\mu\text{A}$ | |
| Slew Rate | 30V/ μs max. | Controls Provided | | | 30V/ μs max. |
| Receiver Input Voltage Range | $\pm 15\text{V}$ | $\pm 12\text{V}$ | -7V to $+7\text{V}$ | -7V to $+12\text{V}$ | $\pm 15\text{V}$ |
| Receiver Input Sensitivity | $\pm 3\text{V}$ | $\pm 200\text{mV}$ | $\pm 200\text{mV}$ | $\pm 200\text{mV}$ | $\pm 3\text{V}$ |
| Receiver Input Resistance | 3–7kohm | 4kohm min. | 4kohm min. | 12kohm min. | 3–7kohm |

Table 3. EIA Standard Definitions

EIA STANDARDS

The Electronic Industry Association (EIA) developed several standards of data transmission which are revised and updated in order to meet the requirements of the industry. In data processing, there are two basic means of communicating between systems and components. The RS-232 standard was first introduced in 1962 and, since that time, has become an industry standard.

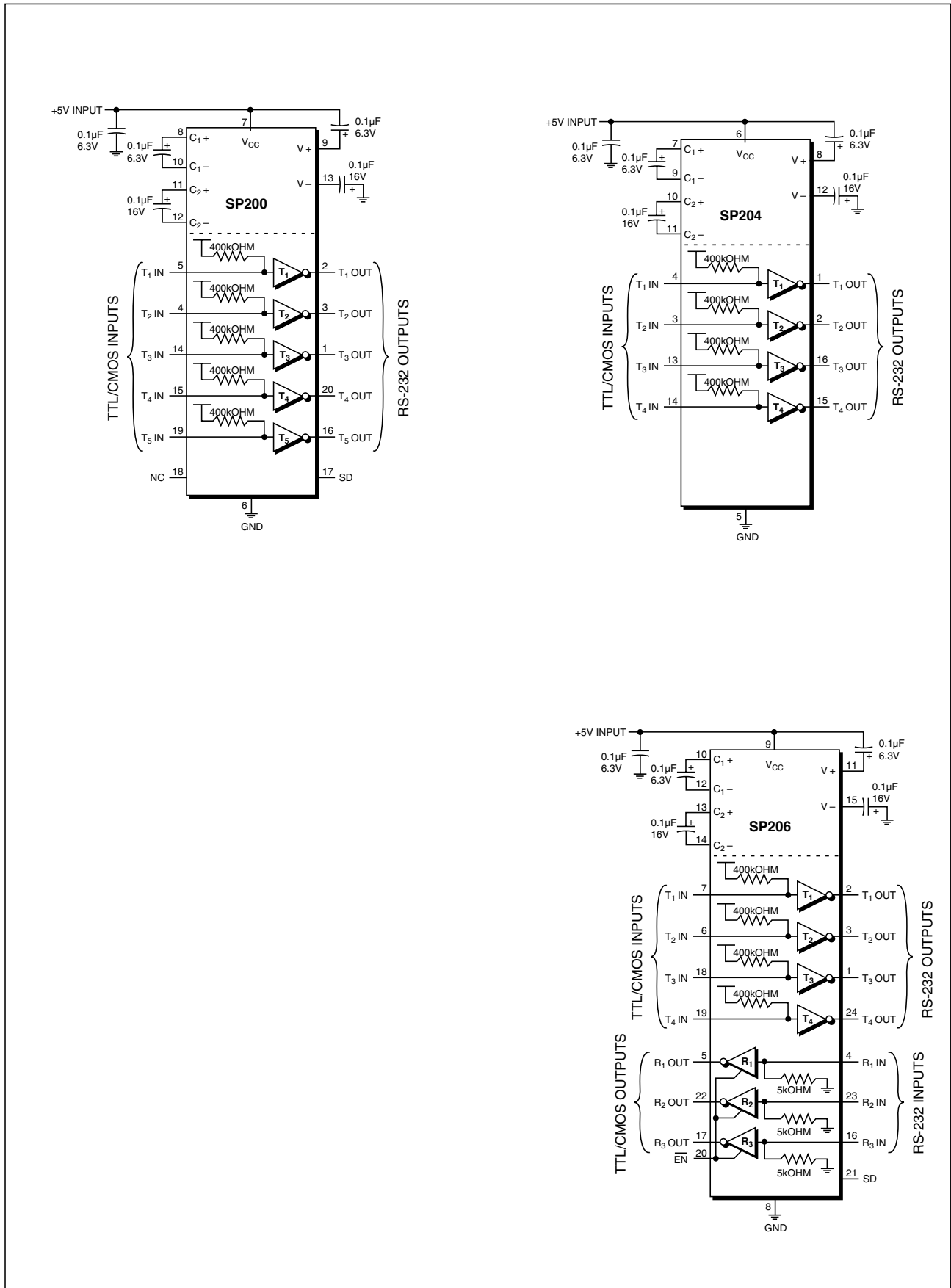
The RS-232 is a relatively slow data exchange protocol, with a maximum baud rate of only 20kbaud, which can be transmitted over a maximum copper wire cable length of 50 feet. The **SP200** through **SP213** Series of data communications interface products have been designed

to meet both the EIA protocol standards, and the needs of the industry.

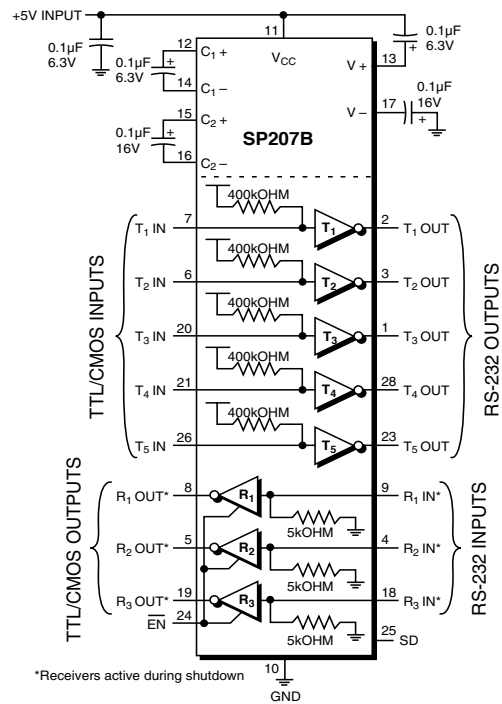
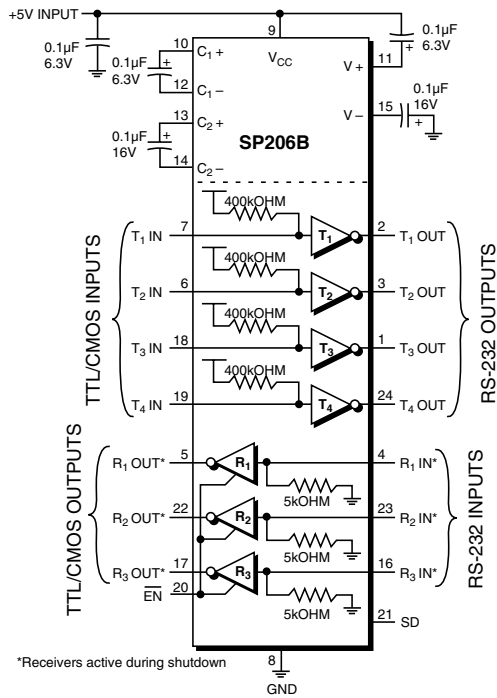
$\pm 10\text{kV}$ ESD PROTECTION

The **SP200** Series is equipped with **Sipex**-proprietary ESD protection circuitry on all RS-232 inputs and outputs. The **SP200** Series has been characterized using MIL-STD-883C Method 3015.7 Human Body Model. Each device in the family can withstand up to $\pm 10\text{kV}$ of static discharge on all RS-232 inputs and outputs. All other pins of each device will maintain $\geq \pm 2\text{kV}$ of ESD protection.

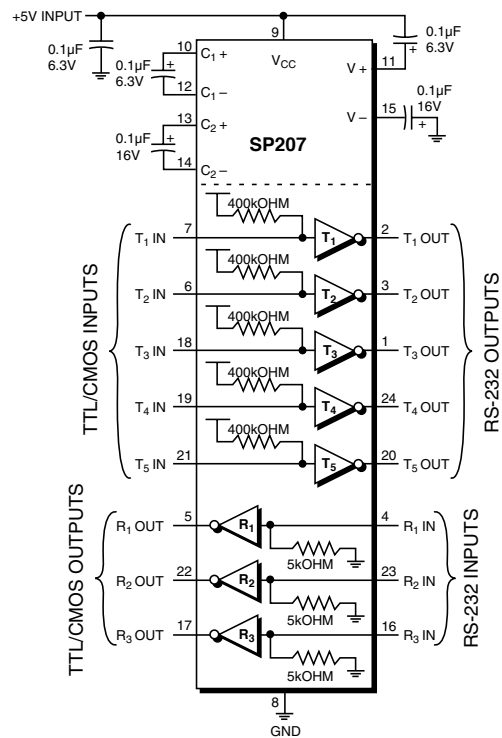
TYPICAL APPLICATION CIRCUITS



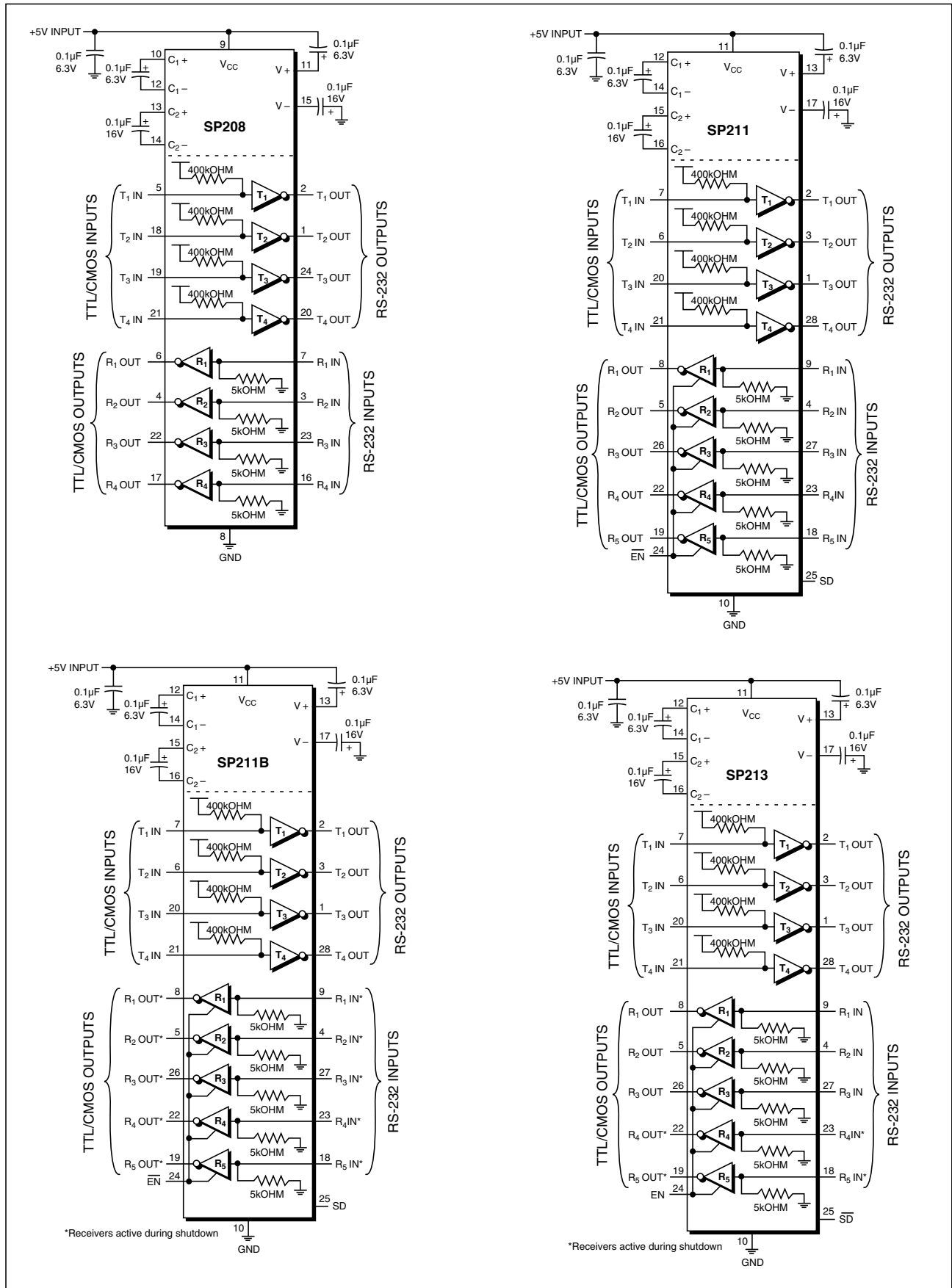
TYPICAL APPLICATION CIRCUITS



The SP207B is offered in a 28-pin SOIC or 28-pin SSOP package.



TYPICAL APPLICATION CIRCUITS



RS-232 Transceivers:

| Model | Drivers | Receivers | Temperature Range | Package Type |
|------------|---------|-----------|-------------------|--------------|
| SP207CA | 5 | 3 | 0°C to +70°C | 24-pin SSOP |
| SP207CA/TR | 5 | 3 | 0°C to +70°C | 24-pin SSOP |
| SP207CP | 5 | 3 | 0°C to +70°C | 24-pin PDIP |
| SP207CT | 5 | 3 | 0°C to +70°C | 24-pin WSOIC |
| SP207CT/TR | 5 | 3 | 0°C to +70°C | 24-pin WSOIC |
| SP207EA | 5 | 3 | -40°C to +85°C | 24-pin SSOP |
| SP207EA/TR | 5 | 3 | -40°C to +85°C | 24-pin SSOP |
| SP207EP | 5 | 3 | -40°C to +85°C | 24-pin PDIP |
| SP207ET | 5 | 3 | -40°C to +85°C | 24-pin WSOIC |
| SP207ET/TR | 5 | 3 | -40°C to +85°C | 24-pin WSOIC |
| SP208CA | 4 | 4 | 0°C to +70°C | 24-pin SSOP |
| SP208CA/TR | 4 | 4 | 0°C to +70°C | 24-pin SSOP |
| SP208CP | 4 | 4 | 0°C to +70°C | 24-pin PDIP |
| SP208CT | 4 | 4 | 0°C to +70°C | 24-pin WSOIC |
| SP208CT/TR | 4 | 4 | 0°C to +70°C | 24-pin WSOIC |
| SP208EA | 4 | 4 | -40°C to +85°C | 24-pin SSOP |
| SP208EA/TR | 4 | 4 | -40°C to +85°C | 24-pin SSOP |
| SP208EP | 4 | 4 | -40°C to +85°C | 24-pin PDIP |
| SP208ET | 4 | 4 | -40°C to +85°C | 24-pin WSOIC |
| SP208ET/TR | 4 | 4 | -40°C to +85°C | 24-pin WSOIC |

RS-232 Transmitters:

| Model | Drivers | Receivers | Temperature Range | Package Type |
|------------|---------|-----------|-------------------|--------------|
| SP204CP | 4 | 0 | 0°C to +70°C | 16-pin PDIP |
| SP204CT | 4 | 0 | 0°C to +70°C | 16-pin SOIC |
| SP204CT/TR | 4 | 0 | 0°C to +70°C | 16-pin SOIC |
| SP204EP | 4 | 0 | -40°C to +85°C | 16-pin PDIP |
| SP204ET | 4 | 0 | -40°C to +85°C | 16-pin SOIC |
| SP204ET/TR | 4 | 0 | -40°C to +85°C | 16-pin SOIC |

RS-232 Transmitters with Low-Power Shutdown:

| Model | Drivers | Receivers | Temperature Range | Package Type |
|------------|---------|-----------|-------------------|--------------|
| SP200CP | 5 | 0 | 0°C to +70°C | 20-pin PDIP |
| SP200CT | 5 | 0 | 0°C to +70°C | 20-pin WSOIC |
| SP200CT/TR | 5 | 0 | 0°C to +70°C | 20-pin WSOIC |
| SP200EP | 5 | 0 | -40°C to +85°C | 20-pin PDIP |
| SP200ET | 5 | 0 | -40°C to +85°C | 20-pin WSOIC |
| SP200ET/TR | 5 | 0 | -40°C to +85°C | 20-pin WSOIC |

Available in lead free packaging. To order add "-L" suffix to part number.

Example: SP200ET/TR = standard; SP200ET-L/TR = lead free

/TR = Tape and Reel

Pack quantity is 1,500 for SSOP, WSOIC.

RS-232 Transceivers with Low-Power Shutdown and Tri-state Enable:

| Model | Drivers | Receivers | Temperature Range | Package Type |
|------------|---------|-----------|-------------------|--------------|
| SP206CA | 4 | 3 | 0°C to +70°C | 24-pin SSOP |
| SP206CA/TR | 4 | 3 | 0°C to +70°C | 24-pin SSOP |
| SP206CP | 4 | 3 | 0°C to +70°C | 24-pin PDIP |
| SP206CT | 4 | 3 | 0°C to +70°C | 24-pin WSOIC |
| SP206CT/TR | 4 | 3 | 0°C to +70°C | 24-pin WSOIC |
| SP206EA | 4 | 3 | -40°C to +85°C | 24-pin SSOP |
| SP206EA/TR | 4 | 3 | -40°C to +85°C | 24-pin SSOP |
| SP206EP | 4 | 3 | -40°C to +85°C | 24-pin PDIP |
| SP206ET | 4 | 3 | -40°C to +85°C | 24-pin WSOIC |
| SP206ET/TR | 4 | 3 | -40°C to +85°C | 24-pin WSOIC |
| SP211CA | 4 | 5 | 0°C to +70°C | 28-pin SSOP |
| SP211CA/TR | 4 | 5 | 0°C to +70°C | 28-pin SSOP |
| SP211CT | 4 | 5 | 0°C to +70°C | 28-pin WSOIC |
| SP211CT/TR | 4 | 5 | 0°C to +70°C | 28-pin WSOIC |
| SP211EA | 4 | 5 | -40°C to +85°C | 28-pin SSOP |
| SP211EA/TR | 4 | 5 | -40°C to +85°C | 28-pin SSOP |
| SP211ET | 4 | 5 | -40°C to +85°C | 28-pin WSOIC |
| SP211ET/TR | 4 | 5 | -40°C to +85°C | 28-pin WSOIC |

RS-232 Transceivers with Low-Power Shutdown, Tri-state Enable, and Wake-Up Function:

| Model | Drivers | Receivers | Temperature Range | Package Type |
|-------------|---------|------------------------------|-------------------|--------------|
| SP206BCA | 4 | 3, with 3 active in Shutdown | 0°C to +70°C | 24-pin SSOP |
| SP206BCA/TR | 4 | 3, with 3 active in Shutdown | 0°C to +70°C | 24-pin SSOP |
| SP206BCP | 4 | 3, with 3 active in Shutdown | 0°C to +70°C | 24-pin PDIP |
| SP206BCT | 4 | 3, with 3 active in Shutdown | 0°C to +70°C | 24-pin WSOIC |
| SP206BCT/TR | 4 | 3, with 3 active in Shutdown | 0°C to +70°C | 24-pin WSOIC |
| SP206BEA | 4 | 3, with 3 active in Shutdown | -40°C to +85°C | 24-pin SSOP |
| SP206BEA/TR | 4 | 3, with 3 active in Shutdown | -40°C to +85°C | 24-pin SSOP |
| SP206BET | 4 | 3, with 3 active in Shutdown | -40°C to +85°C | 24-pin WSOIC |
| SP206BET/TR | 4 | 3, with 3 active in Shutdown | -40°C to +85°C | 24-pin WSOIC |
| SP207BCA | 5 | 3, with 3 active in Shutdown | 0°C to +70°C | 28-pin SSOP |
| SP207BCA/TR | 5 | 3, with 3 active in Shutdown | 0°C to +70°C | 28-pin SSOP |
| SP207BCT | 5 | 3, with 3 active in Shutdown | 0°C to +70°C | 28-pin WSOIC |
| SP207BCT/TR | 5 | 3, with 3 active in Shutdown | 0°C to +70°C | 28-pin WSOIC |
| SP207BEA | 5 | 3, with 3 active in Shutdown | -40°C to +85°C | 28-pin SSOP |
| SP207BEA/TR | 5 | 3, with 3 active in Shutdown | -40°C to +85°C | 28-pin SSOP |
| SP207BET | 5 | 3, with 3 active in Shutdown | -40°C to +85°C | 28-pin WSOIC |
| SP207BET/TR | 5 | 3, with 3 active in Shutdown | -40°C to +85°C | 28-pin WSOIC |

RS-232 Transceivers with Low-Power Shutdown, Tri-state Enable, and Wake-Up Function:

| Model | Drivers | Receivers | Temperature Range | Package Type |
|-------------|---------|------------------------------|-------------------|--------------|
| SP211BCA | 4 | 5, with 5 active in Shutdown | 0°C to +70°C | 28-pin SSOP |
| SP211BCA/TR | 4 | 5, with 5 active in Shutdown | 0°C to +70°C | 28-pin SSOP |
| SP211BCT | 4 | 5, with 5 active in Shutdown | 0°C to +70°C | 28-pin WSOIC |
| SP211BCT/TR | 4 | 5, with 5 active in Shutdown | 0°C to +70°C | 28-pin WSOIC |
| SP211BEA | 4 | 5, with 5 active in Shutdown | -40°C to +85°C | 28-pin SSOP |
| SP211BEA/TR | 4 | 5, with 5 active in Shutdown | -40°C to +85°C | 28-pin SSOP |
| SP211BET | 4 | 5, with 5 active in Shutdown | -40°C to +85°C | 28-pin WSOIC |
| SP211BET/TR | 4 | 5, with 5 active in Shutdown | -40°C to +85°C | 28-pin WSOIC |
| SP213CA | 4 | 5, with 2 active in Shutdown | 0°C to +70°C | 28-pin SSOP |
| SP213CA/TR | 4 | 5, with 2 active in Shutdown | 0°C to +70°C | 28-pin SSOP |
| SP213CT | 4 | 5, with 2 active in Shutdown | 0°C to +70°C | 28-pin WSOIC |
| SP213CT/TR | 4 | 5, with 2 active in Shutdown | 0°C to +70°C | 28-pin WSOIC |
| SP213EA | 4 | 5, with 2 active in Shutdown | -40°C to +85°C | 28-pin SSOP |
| SP213EA/TR | 4 | 5, with 2 active in Shutdown | -40°C to +85°C | 28-pin SSOP |
| SP213ET | 4 | 5, with 2 active in Shutdown | -40°C to +85°C | 28-pin WSOIC |
| SP213ET/TR | 4 | 5, with 2 active in Shutdown | -40°C to +85°C | 28-pin WSOIC |

Available in lead free packaging. To order add "-L" suffix to part number.

Example: SP213ET/TR = standard; SP213ET-L/TR = lead free

/TR = Tape and Reel

Pack quantity is 1,500 for SSOP, WSOIC.

 [CLICK HERE TO ORDER SAMPLES](#)