

**Features**

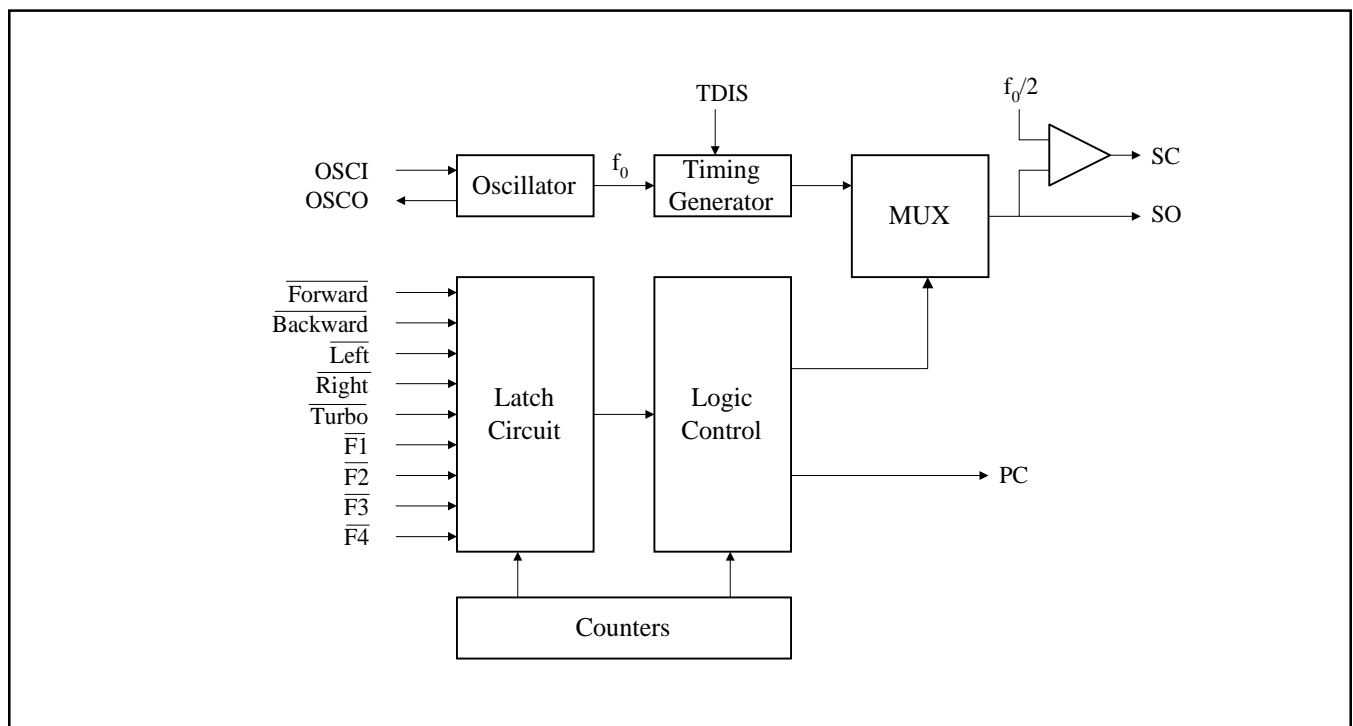
- The PT8A990P works as the encoder and the PT8A991P works as the decoder
- Nine output pins, 5 for forward, backward, left, right and turbo functions, and 4 functional keys
- Operation power supply: 3.0V to 5.5V
- Auto power-off if no key pressed within 2s (PT8A990P)
- Auto shut-down if keep pressing a key for more than 4 minutes (PT8A990P)
- Auto shut down if no signal input for more than 5 minutes (PT8A991P)
- Low operating current
- On-chip oscillator with an external resistor
- On-chip receiving amplifiers
- Few external components needed

**General Description**

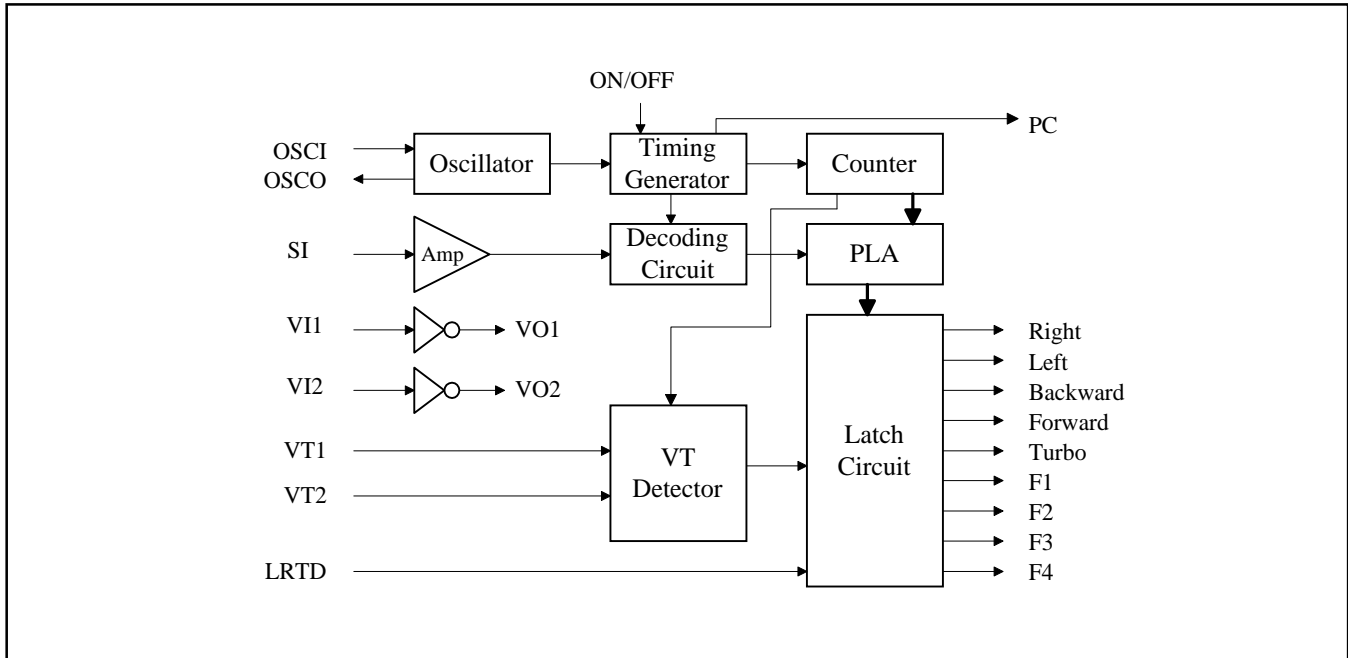
The PT8A990P/991P is a pair of CMOS LSIs designed for remote controlled toy car application. They have nine control keys for controlling the corresponding motion (i.e. forward, backward, left, right, turbo and 4 functional keys) of the remote controlled car. They also have ‘Forward (Backward)’ and ‘Turbo’ combination application.

**Block Diagram**

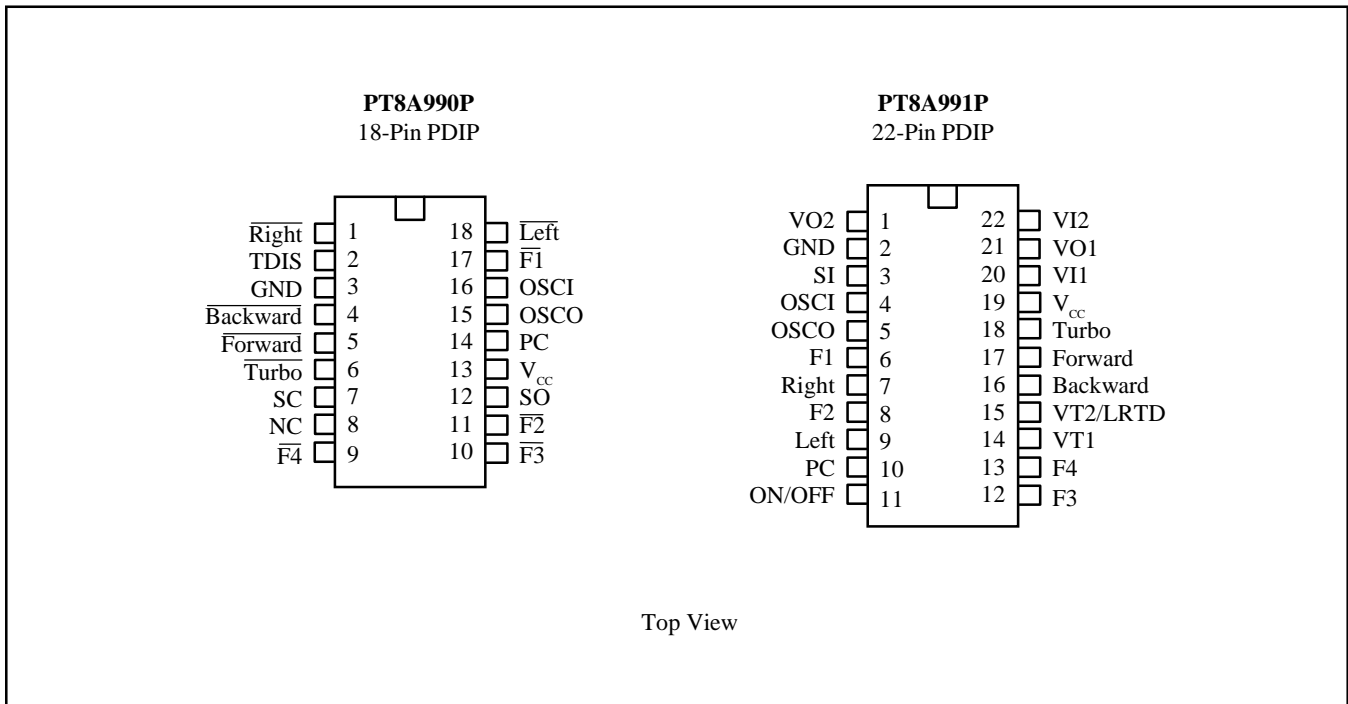
**Figure 1. Block Diagram of PT8A990P**



**Figure 2. Block Diagram of PT8A991P**



**Package and Pin Assignment**



## Pin Description

**Table 1. Pin Description of PT8A990P**

Pin	Name	Type	Description
1	$\overline{\text{Right}}$	I	Rightward function selected if this pin connected to GND
2	TDIS	I	For timer enable: opened or connected to $V_{cc}$ , For timer disenable: connected to GND, For test mode: connected to $1/2 V_{cc}$
3	GND	GND	Ground
4	$\overline{\text{Backward}}$	I	Backward function selected if this pin connected to GND
5	$\overline{\text{Forward}}$	I	Forward function selected if this pin connected to GND
6	$\overline{\text{Turbo}}$	I	Turbo function selected if this pin connected to GND
7	SC	O	Output pin of the encoding signal with carrier frequency
8	NC		No Connection
9	$\overline{\text{F4}}$	I	Function 4 selected if connected to GND
10	$\overline{\text{F3}}$	I	Function 3 selected if connected to GND
11	$\overline{\text{F2}}$	I	Function 2 selected if connected to GND
12	SO	O	Output pin of the encoding signal without carrier frequency
13	$V_{cc}$	P	Power supply
14	PC	O	Power control output pin
15	OSCO	O	Oscillator output pin
16	OSCI	I	Oscillator input pin
17	$\overline{\text{F1}}$	I	Function 1 selected if connected to GND
18	$\overline{\text{Left}}$	I	Leftward function selected if this pin connected to GND

**Table 2. Pin Description of PT8A991P**

Pin	Name	Type	Description
1, 21	VO2, VO1	O	Output pins of inverter 1 and 2 for Signal amplifier
2	GND	GND	Ground
3	SI	I	Input pin for encoded signal
4	OSCI	I	Oscillator input pin
5	OSCO	O	Oscillator output pin
6	F1	O	F1 function output pin
7	Right	O	Rightward output pin
8	F2	O	F2 function output pin
9	Left	O	Leftward output pin
10	PC	O	Power control pin
11	ON/OFF	I	ON/OFF pin
12	F3	O	F3 function output pin
13	F4	O	F4 function output pin
14	VT1	I	Auto shut-off input pin: If voltage on VT1 pin is over $0.095V_{CC}$ for 3 sec, all outputs will be shut off automatically.
15	LRTD/VT2	I	Left/Right turbo disable pin. Optional for the 2nd Auto Shut-Off input pin.
16	Backward	O	Backward output pin
17	Forward	O	Forward output pin
18	Turbo	O	Turbo output pin
19	$V_{CC}$	P	Power supply
20,22	VII,VI2	I	Input pins of inverter 1 and 2 for signal amplifier

## Functional Description

In normal operation without 'Turbo', forward (backward) output pin of the decoder PT8A991P sends out a 60Hz signal. In operation with 'Forward (Backward)' and 'Turbo' combined, the output signal will be completely high. This function is depicted as follows.

Once a key is pressed, the PT8A990P is powered on, and the PC output pin keeps on a high level. If no key pressed, The PT8A990P will shut off automatically in 2s and nothing is output on the PC pin. It can save battery power by shutting down the device after pressing on any key for 4 minutes. The PC pin is used to control on/off of the external power supply.

The PT8A991P has Auto Power Down feature when no signal received within 5 minutes. The VT pins are used for Current Limit Protection to meet HD271 Toys safety standard. There are two over-current-protection pins in PT8A991P. If the input voltage is over  $0.095V_{CC}$  for 3 seconds, the output level will be off. The LRTD/VT2 is optional.

## Data Format

See Figure 4.

## Coding Method

Each trigger pin is triggered by corresponding bit of data in format of "1". The data string is 18-bit and divided to four segments, i.e., Start Code, Data Code, Parity Code and End code, where

Start Code = 11110.

Data Code = 

F3	F4	F	B	T	R	L	F1	N1	N2	F2
----	----	---	---	---	---	---	----	----	----	----

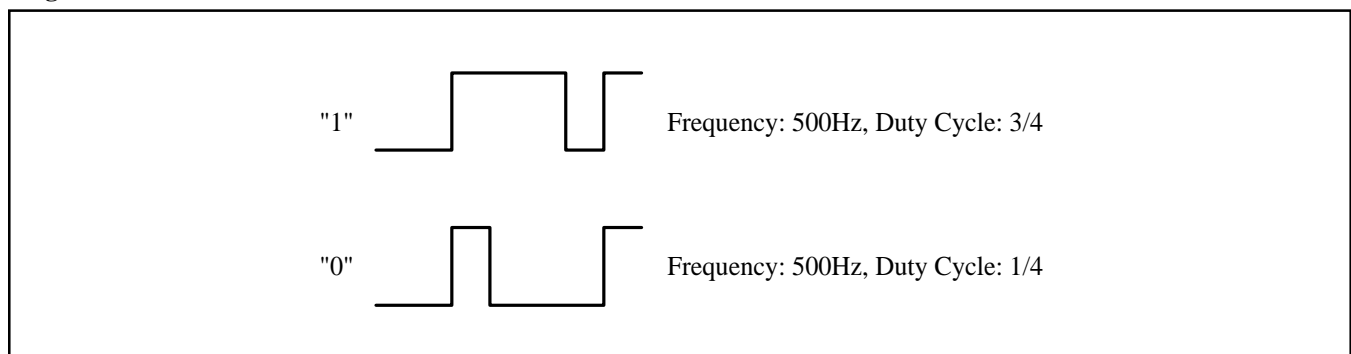
F = Forward                      B = Backward                      T = Turbo  
R = Right                         L = Left                              F1 = Function 1  
F2 = Function 2                 F3 = Function 3                 F4 = Function 4  
N1, N2 = Reserved

Parity Code = Even parity check result

End Code is for data latch.

Data code can be any combination of F, B, T, R, L, F1, F2, F3 and F4 except F&B, R&L, N1 and N2.

**Figure 4. Data Format**



## Maximum Ratings

(Above which the useful life may be impaired. For user guidelines, not tested)

Storage Temperature .....	-25°C to +85°C
Ambient Temperature with Power Applied .....	0°C to +70°C
Supply Voltage to Ground Potential (Inputs & V <sub>CC</sub> Only) ....	-0.5 to +5.5V
Supply Voltage to Ground Potential (Outputs & D/O Only) .....	-0.5 to +5.5V
DC Input Voltage .....	-0.5 to +5.5V
DC Output Current .....	20mA
Power Dissipation .....	500mW

**Note:**

Stresses greater than those listed under MAXIMUM RATINGS may cause permanent damage to the device. This is a stress rating only and functional operation of the device at these or any other conditions above those indicated in the operational sections of this specification is not implied. Exposure to absolute maximum rating conditions for extended periods may affect reliability.

## Recommended Operating Conditions

**Table 3. Recommended Operating Conditions**

Sym	Description	Test Conditions	Min	Typ	Max	Units
V <sub>CC</sub>	Supply Voltage		3	4	5	V
V <sub>IH</sub>	Input HIGH Voltage		0.7V <sub>CC</sub>	4	-	V
V <sub>IL</sub>	Input LOW Voltage		-	0	0.3V <sub>CC</sub>	V
F <sub>OSC</sub>	Oscillator Frequency		109	128	146	kHz
T <sub>A</sub>	Operation Temperature		0	-	70	°C

## DC Electrical Characteristics

**Table 4. DC Electrical Characteristics of PT8A990P**

Sym	Description	Test Conditions	Min	Typ	Max	Units
I <sub>STB</sub>	Stand-by Current	T <sub>A</sub> = 70°C, Off State		1	3	uA
I <sub>OH</sub>	Output HIGH Current - PC and SO Pins	V <sub>OH</sub> = 3.5V, T <sub>A</sub> = 25°C	2	3		mA
	Output HIGH Currentl - SC Pin		4	5		mA
	Output HIGH Current - OSCO Pin		220		600	uA
I <sub>OL</sub>	Output LOW Current - PC and SO Pins	V <sub>OL</sub> = 0.5V, T <sub>A</sub> = 25°C	2	4		mA
	Output LOW Currentl - SC Pin		4	5		mA
	Output LOW Current - OSCO Pin		220		600	uA
I <sub>IH</sub>	Input HIGH Current - Forward, Backward, Left, Right, Turbo, F1, F2, F3, F4, NC, OSCI and TDIS Pins	V <sub>CC</sub> = 5.5V, V <sub>IH</sub> = V <sub>CC</sub> , T <sub>A</sub> = 25°C		1	10	uA
I <sub>IL</sub>	Input LOW Current - Forward, Backward, Left, Right, Turbo, F1, F2, F3, F4, NC and TDIS Pins	V <sub>CC</sub> = 5.5V, V <sub>IL</sub> = 0V, T <sub>A</sub> = 25°C	10	25	100	uA
	Input LOW Current - OSCI Pin			1	10	

**Note:** These specifications apply for V<sub>CC</sub> = 4.0V and 0°C ≤ T<sub>A</sub> ≤ 70°C, unless otherwise specified.

**Table 5. DC Electrical Characteristics of PT8A991P**

Sym	Description	Test Conditions	Min	Typ	Max	Units
$I_{STB}$	Stand-by Current	Off State		3	5	uA
$I_{OH}$	Output HIGH Current - VO1, VO2 and OSCO Pins	$V_{OH} = 3.5V, T_A = 25^{\circ}C$	300		850	uA
	Output HIGH Current - Forward, Backward, Left and Right Pins		6	10	mA	
	Output HIGH Current - Turbo, F1, F2, F3 and F4 Pins		3	6		
	Output HIGH Current - PC Pin		2	5		
$I_{OL}$	Output LOW Current - VO1, VO2 and OSCO Pins	$V_{OL} = 0.5V, T_A = 25^{\circ}C$	300		850	uA
	Output LOW Current - Forward, Backward, Left and Right Pins		3	5	mA	
	Output LOW Current - Turbo, F1, F2, F3 and F4 Pins		6	11		
	Output LOW Current - PC Pin		2	9		
$I_{IH}$	Input HIGH Current - VT1 Pin	$V_I = V_{CC}, T_A = 25^{\circ}C, \text{On state}$	20	30	100	uA
	Input HIGH Current - SI, VI1, VI2, VT2, ON/OFF and OSCI Pins			1	10	
$I_{IL}$	Input LOW Current - SI, VI1, VI2, VT1 and OSCI Pins	$V_I = 0V, T_A = 25^{\circ}C, \text{On state}$		1	10	uA
	Input LOW Current - ON/OFF and VT2 Pins		15	30	100	
$I_{DR}$	Pull-Down Resistor Current - VI1 and VI2 Pins	$V_I = 4.0V, \text{Off State}$	100		290	uA
$I_{UR}$	Pull-Up Resistor Current - SI Pin	$V_I = 0V, \text{Off State}$	20		100	uA
$V_{OH}$	Output HIGH Voltage - VO1 and VO2 Pins	VI1, VI2 = 1.5V	3.5			V
$V_{OL}$	Output LOW Voltage - VO1 and VO2 Pins	VI1, VI2 = 2.5V			0.5	V
VT	Over-Current Limit - VT1 and VT2 Pins	Forward is high.	0.35		0.45	V

**Note:** These specifications apply for  $V_{CC} = 4.0V$  and  $0^{\circ}C \leq T_A \leq 70^{\circ}C$ , unless otherwise specified.

## AC Electrical Characteristics

**Table 6. AC Electrical Characteristics of PT8A990P**

Sym	Description	Test Conditions	Min	Typ	Max	Units
$f_{OSC}$ (Note2)	Oscillator Frequency	$T_A=25\text{ C}, R_f = 200k\Omega$	109	128	146	kHz
$t_{FUN}$	Period of Function Code	$f_{OSC} = 128kHz, T_A = 25^\circ\text{C}$	1.7	2	2.3	ms
$t_{STA}$	Start-Code Period	$f_{OSC} = 128kHz, T_A = 25^\circ\text{C}$	1.7	2	2.3	ms
$f_{CSC}$	Carrier Frequency	$f_{OSC} = 128kHz, T_A = 25^\circ\text{C}$		64		kHz
$t_{OFF}$	Auto-off Time	$f_{OSC} = 128kHz, T_A = 25^\circ\text{C}$		2		s
$V_{CC}$	Power Supply Range	-	3	4	5.5	V
$I_{CC}$	Supply Current	Output Unloaded			300	uA

**Note:**

1. These specifications apply for  $V_{CC} = 4.0V$  and  $0^\circ\text{C} \leq T_A \leq 70^\circ\text{C}$ , unless otherwise specified.
2. The frequency of standard samples is tested on standard testing-board.

**Table 7. AC Electrical Characteristics of PT8A991P**

Sym	Description	Test Conditions	Min	Typ	Max	Units
$f_{OSC}$ (Note2)	Oscillator Frequency	$T_A=25\text{ C}, R_f = 200k\Omega$	109	128	146	kHz
$t_{FUN}$	Period of Function Code	$f_{OSC} = 128kHz, T_A = 25^\circ\text{C}$	1.7	2	2.3	ms
$t_{STA}$	Start-Code Period	$f_{OSC} = 128kHz, T_A = 25^\circ\text{C}$	1.7	2	2.3	ms
$t_{OFF}$	Auto-off Time	$f_{OSC} = 128kHz, T_A = 25^\circ\text{C}$		5		minute
$V_{CC}$	Power Supply Range	-	3	4	5.5	V

**Note:**

1. These specifications apply for  $V_{CC} = 4.0V$  and  $0^\circ\text{C} \leq T_A \leq 70^\circ\text{C}$ , unless otherwise specified.
2. The frequency of standard samples is tested on standard testing-board.



**Figure 5. Typical Application Circuit of PT8A990P**

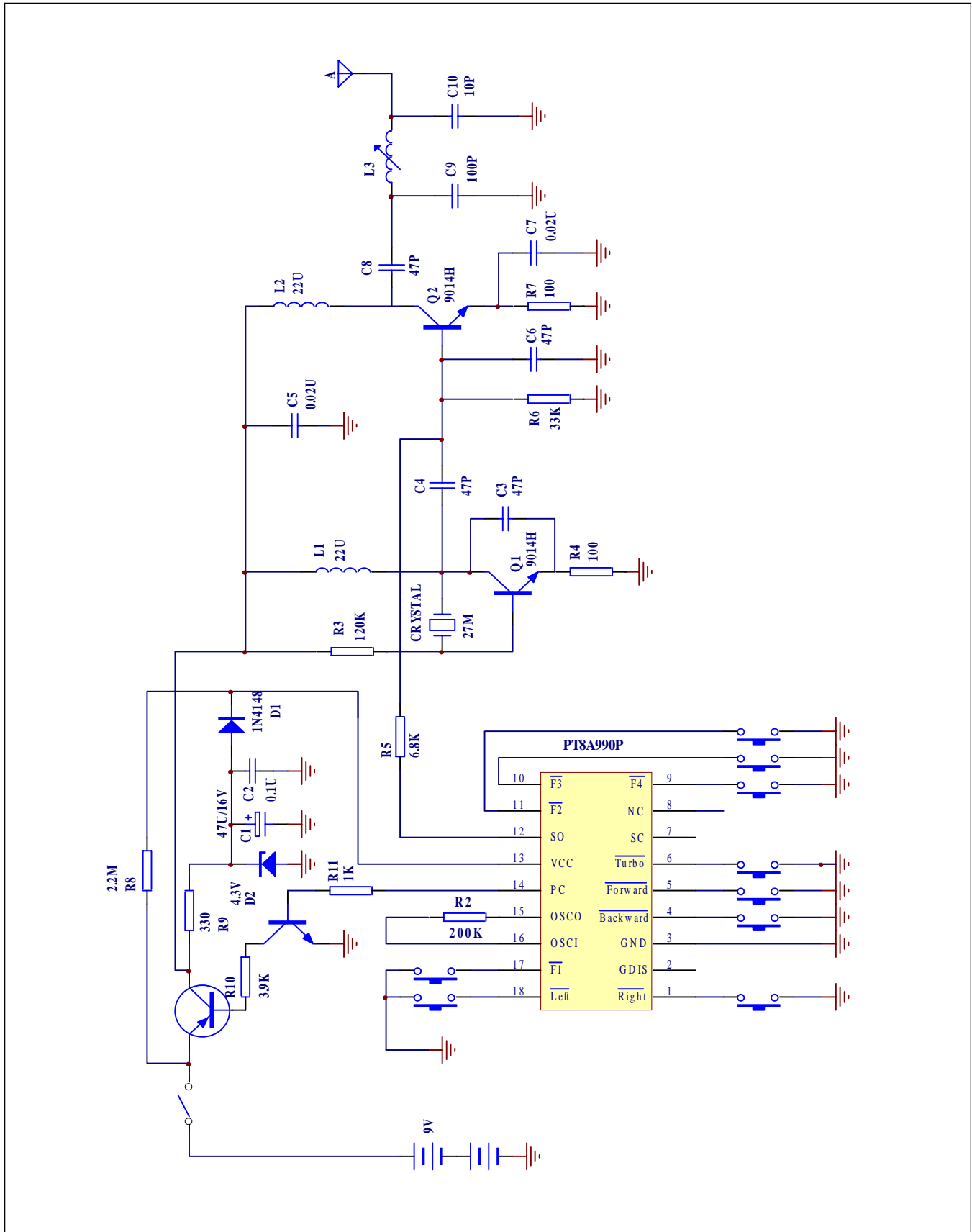
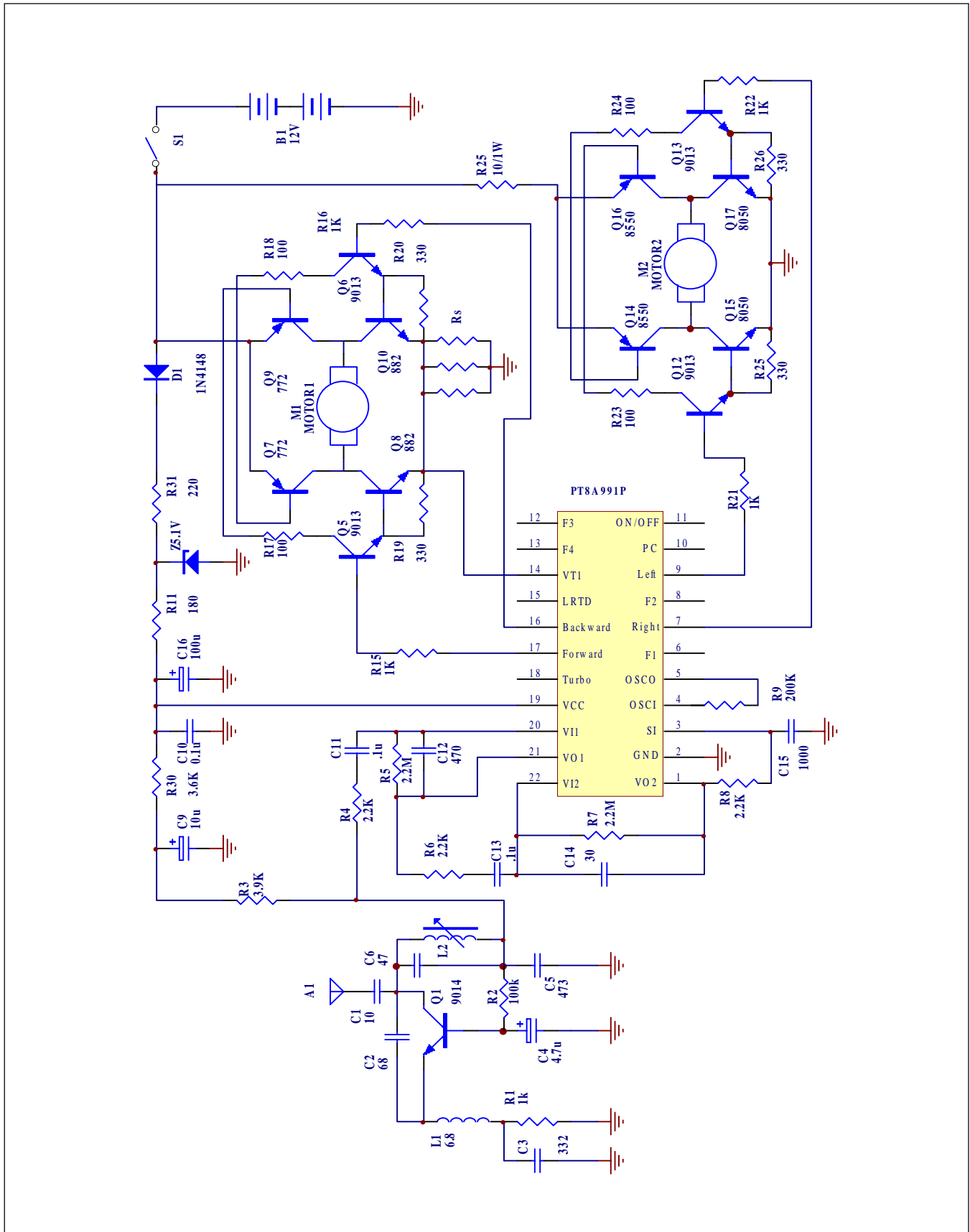


Figure 6. Typical Application Circuit of PT8A991P



**Notes**

---

**Pericom Technology Inc.**

Email: support@pti.com.cn      Web Site: www.pti.com.cn, www.pti-ic.com

**China:**      No. 20 Building, 3/F, 481 Guiping Road, Shanghai, 200233, China  
Tel: (86)-21-6485 0576      Fax: (86)-21-6485 2181

**Asia Pacific:**      Unit 1517, 15/F, Chevalier Commercial Centre, 8 Wang Hoi Rd, Kowloon Bay, Hongkong  
Tel: (852)-2243 3660      Fax: (852)- 2243 3667

**U.S.A.:**      2380 Bering Drive, San Jose, California 95131, USA  
Tel: (1)-408-435 0800      Fax: (1)-408-435 1100

Pericom Technology Incorporation reserves the right to make changes to its products or specifications at any time, without notice, in order to improve design or performance and to supply the best possible product. Pericom Technology does not assume any responsibility for use of any circuitry described other than the circuitry embodied in Pericom Technology product. The company makes no representations that circuitry described herein is free from patent infringement or other rights, of Pericom Technology Incorporation.