

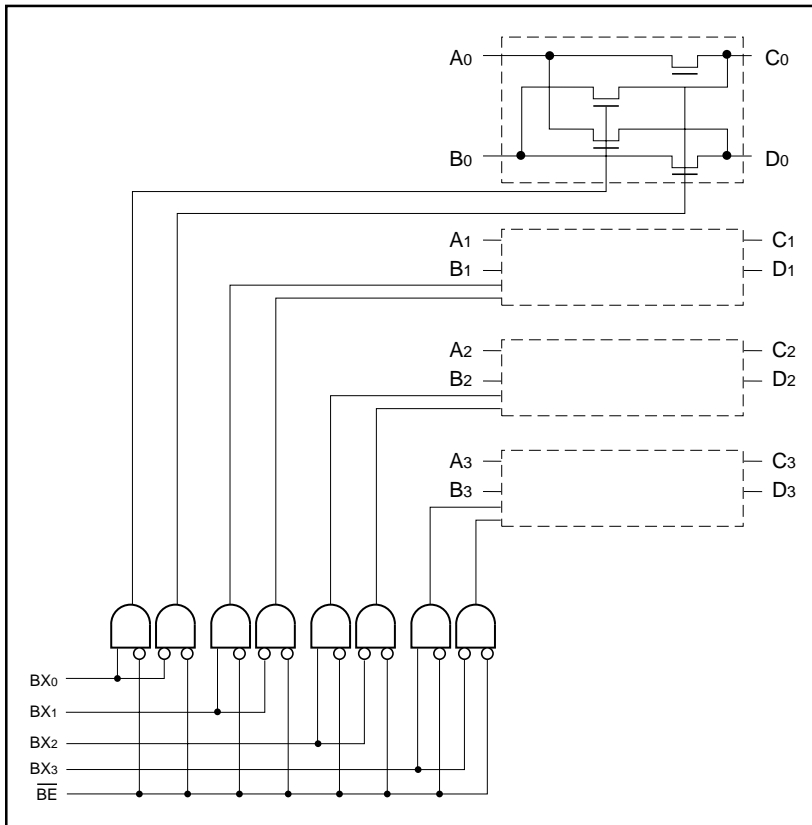
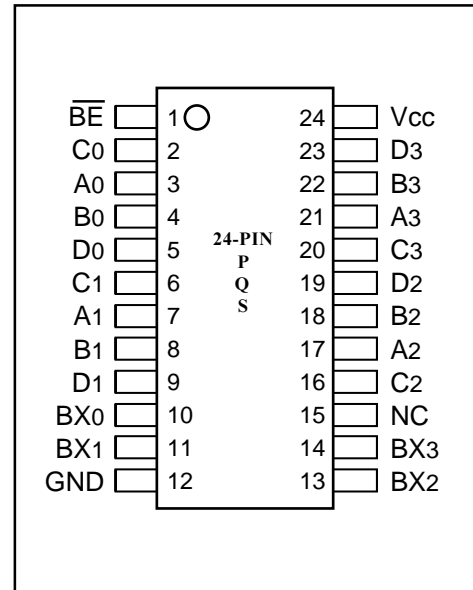
**Product Features:**

- Zero propagation delay
- Zero ground bounce in flow-through mode
- 5Ω switches connect inputs to outputs
- Direct bus connection when switches are ON
- Ultra Low Quiescent Power (0.2 μA Typical)
  - Ideally suited for notebook applications
- Packages available:
  - 24-pin 300 mil wide plastic PDIP (P)
  - 24-pin 150 mil wide plastic QSOP (Q)
  - 24-pin 300 mil wide plastic SOIC (S)

**Product Description:**

Pericom Semiconductor's PI5C series of logic circuits are produced in the Company's advanced 0.8 micron CMOS technology, achieving industry leading speed grades.

The PI5C3400 is a 4-bit, 4-port bus switch with individual exchanges designed with a low ON resistance (5Ω) allowing inputs to be connected directly to outputs. The bus switch creates no additional propagational delay or ground bounce noise. The switches are turned ON by the Bus Enable ( $\overline{BE}$ ) input signal, and the Bus Exchange (BX0–BX3) input signals offer individual bit swapping of the AB and CD signal pairs. This exchange configuration allows bit swapping of buses in systems.

**Logic Block Diagram**

**Product Pin Configuration**

**Truth Table<sup>(1)</sup>**

Function	$\overline{BE}$	BX0	BX1	BX2	BX3	A0–3	B0–3
Disconnect	H	X	X	X	X	Hi-Z	Hi-Z
Connect	L	BX <sub>i</sub> =L				C0–3	D0–3
Exchange	L	BX <sub>i</sub> =H				D0–3	C0–3

**Note:**

1. H = High Voltage Level  
 X = Don't Care  
 L = Low Voltage Level  
 Hi-Z = High Impedance  
 i = 0, 1, 2, or 3

### Product Pin Description

Pin Name	Description
BE	Bus Enable Input (Active LOW)
Ax, Bx, Cx, Dx	Bus A, Bus B, Bus C, Bus D
BX0	Bus Exchange (Bit 0)
BX1	Bus Exchange (Bit 1)
BX2	Bus Exchange (Bit 2)
BX3	Bus Exchange (Bit 3)
NC	No Connect
GND	Ground
Vcc	Power

### Maximum Ratings

(Above which the useful life may be impaired. For user guidelines, not tested.)

Storage Temperature .....	-65°C to +150°C
Ambient Temperature with Power Applied .....	-40°C to +85°C
Supply Voltage to Ground Potential (Inputs & Vcc Only) .....	-0.5V to +7.0V
Supply Voltage to Ground Potential (Outputs & D/O Only) ..	-0.5V to +7.0V
DC Input Voltage .....	-0.5V to +7.0V
DC Output Current .....	120 mA
Power Dissipation .....	0.5W

#### Note:

Stresses greater than those listed under MAXIMUM RATINGS may cause permanent damage to the device. This is a stress rating only and functional operation of the device at these or any other conditions above those indicated in the operational sections of this specification is not implied. Exposure to absolute maximum rating conditions for extended periods may affect reliability.

### DC Electrical Characteristics (Over the Operating Range, TA = -40°C to +85°C, VCC = 5V ±5%)

Parameters	Description	Test Conditions <sup>(1)</sup>	Min.	Typ <sup>(2)</sup>	Max.	Units
V <sub>IH</sub>	Input HIGH Voltage	Guaranteed Logic HIGH Level	2.0			V
V <sub>IL</sub>	Input LOW Voltage	Guaranteed Logic LOW Level	-0.5		0.8	V
I <sub>IH</sub>	Input HIGH Current	V <sub>CC</sub> = Max., V <sub>IN</sub> = V <sub>CC</sub>			±1	µA
I <sub>IL</sub>	Input LOW Current	V <sub>CC</sub> = Max., V <sub>IN</sub> = GND			±1	µA
I <sub>OZH</sub>	High Impedance Output Current	0 ≤ A, B ≤ V <sub>CC</sub>			±1	µA
V <sub>IK</sub>	Clamp Diode Voltage	V <sub>CC</sub> = Min., I <sub>IN</sub> = -18 mA		-0.7	-1.2	V
I <sub>OS</sub>	Short Circuit Current <sup>(3)</sup>	A (B) = 0V, B (A) = V <sub>CC</sub>	100			mA
V <sub>H</sub>	Input Hysteresis at Control Pins			150		mV
R <sub>ON</sub>	Switch On Resistance <sup>(4)</sup>	V <sub>CC</sub> = Min., V <sub>IN</sub> = 0.0V, I <sub>ON</sub> = 48 mA V <sub>CC</sub> = Min., V <sub>IN</sub> = 2.4V, I <sub>ON</sub> = 15 mA		5 10	7 15	Ω

### Capacitance (TA = 25°C, f = 1 MHz)

Parameters <sup>(5)</sup>	Description	Test Conditions	Typ	Max.	Units
C <sub>IN</sub>	Input Capacitance	V <sub>IN</sub> = 0V		6	pF
C <sub>OFF</sub>	A/B Capacitance, Switch Off	V <sub>IN</sub> = 0V		6	pF
C <sub>ON</sub>	A/B Capacitance, Switch On	V <sub>IN</sub> = 0V		8	pF

#### Notes:

- For Max. or Min. conditions, use appropriate value specified under Electrical Characteristics for the applicable device type.
- Typical values are at V<sub>CC</sub> = 5.0V, T<sub>A</sub> = 25°C ambient and maximum loading.
- Not more than one output should be shorted at one time. Duration of the test should not exceed one second.
- Measured by the voltage drop between A and B pin at indicated current through the switch. ON resistance is determined by the lower of the voltages on the two (A,B) pins.
- This parameter is determined by device characterization but is not production tested.

### Power Supply Characteristics

Parameters	Description	Test Conditions <sup>(1)</sup>		Min.	Typ <sup>(2)</sup>	Max.	Units
I <sub>CC</sub>	Quiescent Power Supply Current	V <sub>CC</sub> =Max.	V <sub>IN</sub> =GND or V <sub>CC</sub>		0.1	3.0	μA
ΔI <sub>CC</sub>	Supply Current per Input @ TTL HIGH	V <sub>CC</sub> =Max.	V <sub>IN</sub> =3.4V <sup>(3)</sup>			2.5	mA
I <sub>CCD</sub>	Supply Current per Input per MHz <sup>(4)</sup>	V <sub>CC</sub> =Max., A and B Pins Open BE=GND Control Input Toggling 50% Duty Cycle				0.25	mA/ MHz

**Notes:**

1. For Max. or Min. conditions, use appropriate value specified under Electrical Characteristics for the applicable device.
2. Typical values are at V<sub>CC</sub> = 5.0V, +25°C ambient.
3. Per TTL driven input (V<sub>IN</sub> = 3.4V, control inputs only); A and B pins do not contribute to I<sub>CC</sub>.
4. This current applies to the control inputs only and represent the current required to switch internal capacitance at the specified frequency. The A and B inputs generate no significant AC or DC currents as they transition. This parameter is not tested, but is guaranteed by design.

### Switching Characteristics over Operating Range

Parameters	Description	Conditions <sup>(1)</sup>	PI5C3400		Unit
			Com.		
			Min.	Max.	
t <sub>PLH</sub>	Propagation Delay <sup>(2,3)</sup>	C <sub>L</sub> = 50 pF R <sub>L</sub> = 500Ω		0.25	ns
t <sub>PHL</sub>	Ax to Cx, Bx to Dx				
t <sub>PZH</sub>	Bus Enable Time		1.5	6.5	
t <sub>PZL</sub>	BE to Cx or Dx				
t <sub>PHZ</sub>	Bus Disable Time		1.5	5.5	
t <sub>PLZ</sub>	BE to Cx or Dx				
t <sub>BX</sub>	Bus Exchange Time BXx to Cx or Dx		1.5	6.5	ns

**Notes:**

1. See test circuit and waveforms.
2. This parameter is guaranteed but not tested on Propagation Delays.
3. The bus switch contributes no propagational delay other than the RC delay of the ON resistance of the switch and the load capacitance. The time constant for the switch alone is of the order of 0.25 ns for 50 pF load. Since this time constant is much smaller than the rise/fall times of typical driving signals, it adds very little propagational delay to the system. Propagational delay of the bus switch when used in a system is determined by the driving circuit on the driving side of the switch and its interaction with the load on the driven side.