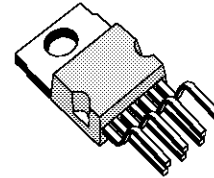


**VERTICAL DEFLECTION OUTPUT CIRCUIT**

- POWER AMPLIFIER
- FLYBACK GENERATOR
- THERMAL PROTECTION

**DESCRIPTION**

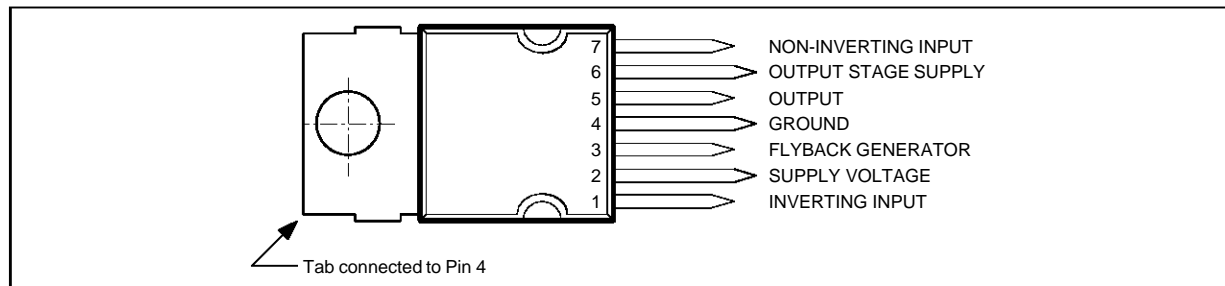
The TDA9302H is a monolithic integrated circuit in HEPTAWATT™ package. It is a high efficiency power booster for direct driving of vertical windings of TV yokes. It is intended for use in Color and B & W television as well as in monitors and displays.



**HEPTAWATT**  
(Plastic Package)

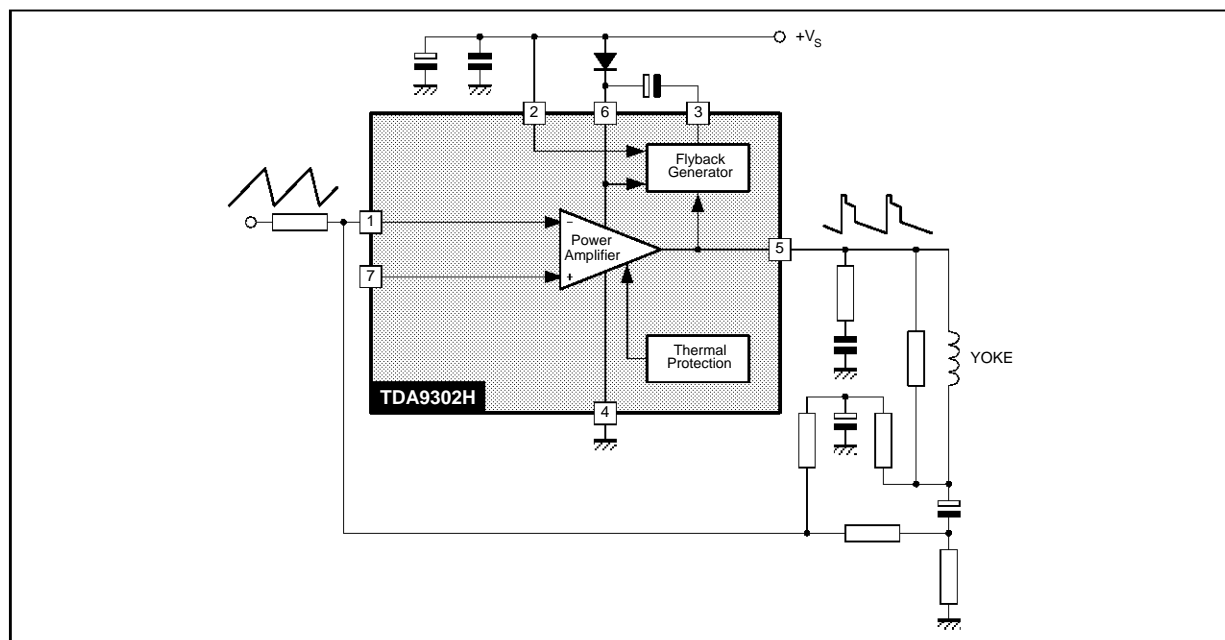
**ORDER CODE : TDA9302H**

**PIN CONNECTIONS (top view)**



9302H-01.EPS

**BLOCK DIAGRAM**



9302H-02.EPS

# TDA9302H

## ABSOLUTE MAXIMUM RATINGS AT $T_A = 25^\circ\text{C}$

Symbol	Parameter	Value	Unit
$V_S$	Supply Voltage (pin 2)	35	V
$V_5, V_6$	Flyback Peak Voltage	60	V
$V_3$	Voltage at Pin 3	+ $V_S$	
$V_1, V_7$	Amplifier Input Voltage	+ $V_S$ - 0.5	V
$I_o$	Deflection Output Current	$\pm 1.8$	A
$I_3$	Pin 3 DC Current at $V_5 < V_2$	100	mA
$P_{tot}$	Total Power Dissipation at $T_{case} = 90^\circ\text{C}$	15	W
$T_{stg}, T_j$	Storage and Junction Temperature	- 40, +150	$^\circ\text{C}$

9302H-01.TBL

## THERMAL DATA

Symbol	Parameter	Value	Unit
$R_{th(j-c)}$	Thermal Resistance Junction-case	Max. 4	$^\circ\text{C/W}$

9302H-02.TBL

## RECOMMENDED OPERATING CHARACTERISTICS AT $T_A = 25^\circ\text{C}$

Symbol	Parameter	Test Conditions	Min.	Typ.	Max.	Unit
$V_{2M}$	Recommended Supply Voltage			25		V
$V_{2R}$	Operating Supply Voltage Range		15		30	V
$I_{5PP}$	Deflection Output Current				2	App

9302H-03.TBL

## ELECTRICAL CHARACTERISTICS

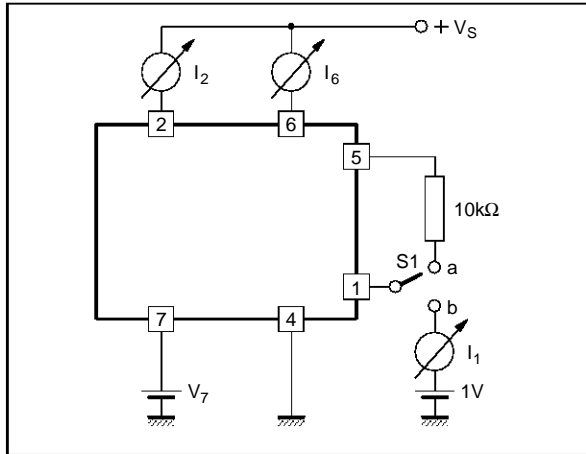
(refer to the test circuits,  $V_S = 35\text{V}$ ,  $T_{amb} = 25^\circ\text{C}$  unless otherwise specified)

Symbol	Parameter	Test Conditions	Min.	Typ.	Max.	Unit	Fig.
$I_2$	Pin 2 Quiescent Current	$I_3 = 0, I_5 = 0$			16	mA	1a
$I_6$	Pin 6 Quiescent Current	$I_3 = 0, I_5 = 0$			36	mA	1a
$I_1$	Amplifier Input Bias Current	$V_1 = 1\text{V}, V_7 = 2\text{V}$		- 0.1	- 1	$\mu\text{A}$	1a
		$V_1 = 2\text{V}, V_7 = 1\text{V}$		- 0.1	- 1	$\mu\text{A}$	1a
$V_{3L}$	Pin 3 Saturation Voltage to GND	$I_3 = 20\text{mA}$		1	1.5	V	1c
$V_5$	Quiescent Output Voltage	$V_S = 35\text{V}, R_a = 39\text{k}\Omega$		18		V	1d
$V_{5L}$	Output Saturation Voltage to GND	$I_5 = 1\text{A}$		0.9	1.3	V	1c
		$I_5 = 0.7\text{A}$		0.7	1	V	1c
$V_{5H}$	Output Saturation Voltage to Supply	- $I_5 = 1\text{A}$		1.5	2	V	1b
		- $I_5 = 0.7\text{A}$		1.3	1.8	V	1b
$T_j$	Junction Temperature for Thermal Shut Down			140		$^\circ\text{C}$	

9302H-04.TBL

Figure 1 : DC Test Circuits.

Figure 1 a : Measurement of  $I_1$  ;  $I_2$  ;  $I_6$



S<sub>1</sub> : (a)  $I_2$  and  $I_6$  ; (b)  $I_1$

Figure 1 b : Measurement of  $V_{5H}$

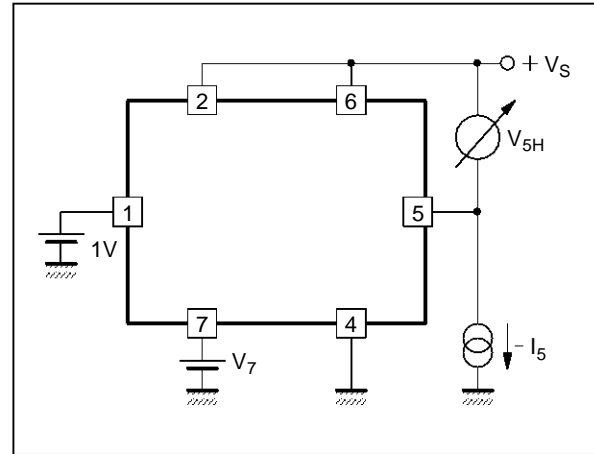
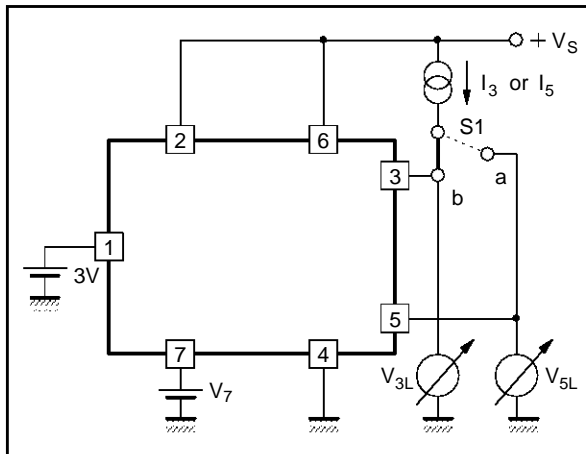


Figure 1 c : Measurement of  $V_{3L}$  ;  $V_{5L}$



S<sub>1</sub> : (a)  $V_{3L}$  ; (b)  $V_{5L}$

Figure 1 d : Measurement of  $V_5$

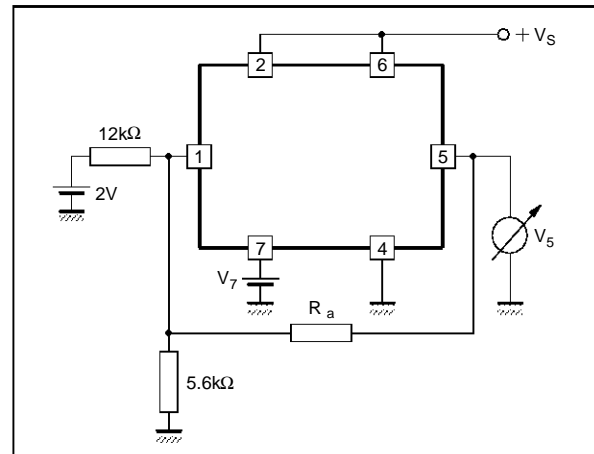
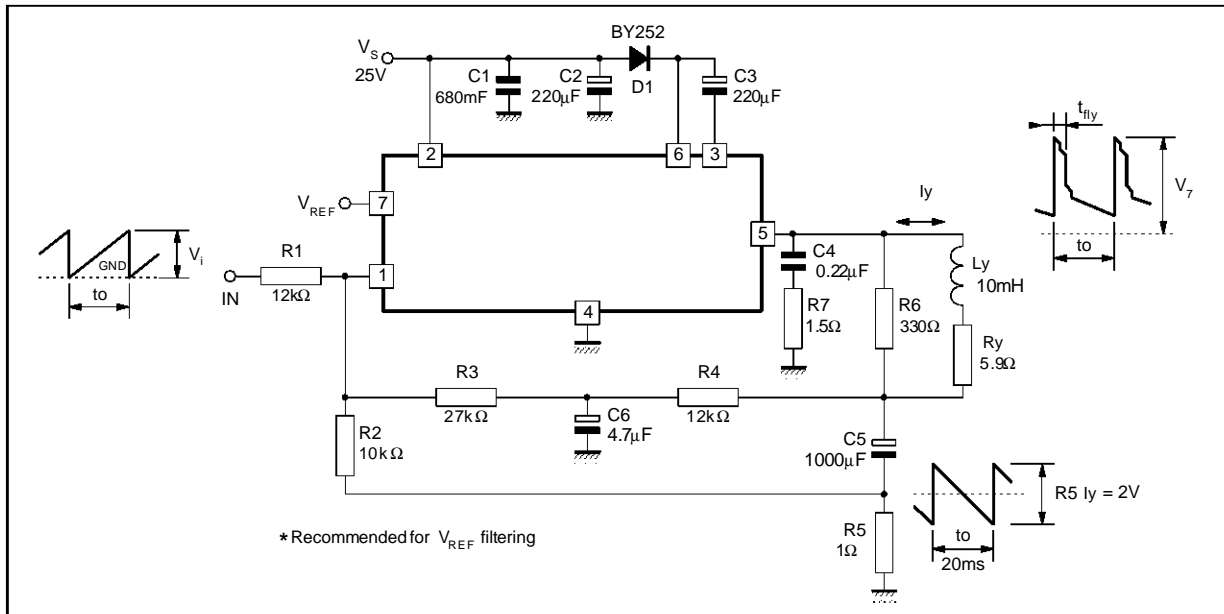


Figure 2 : AC Test Circuit



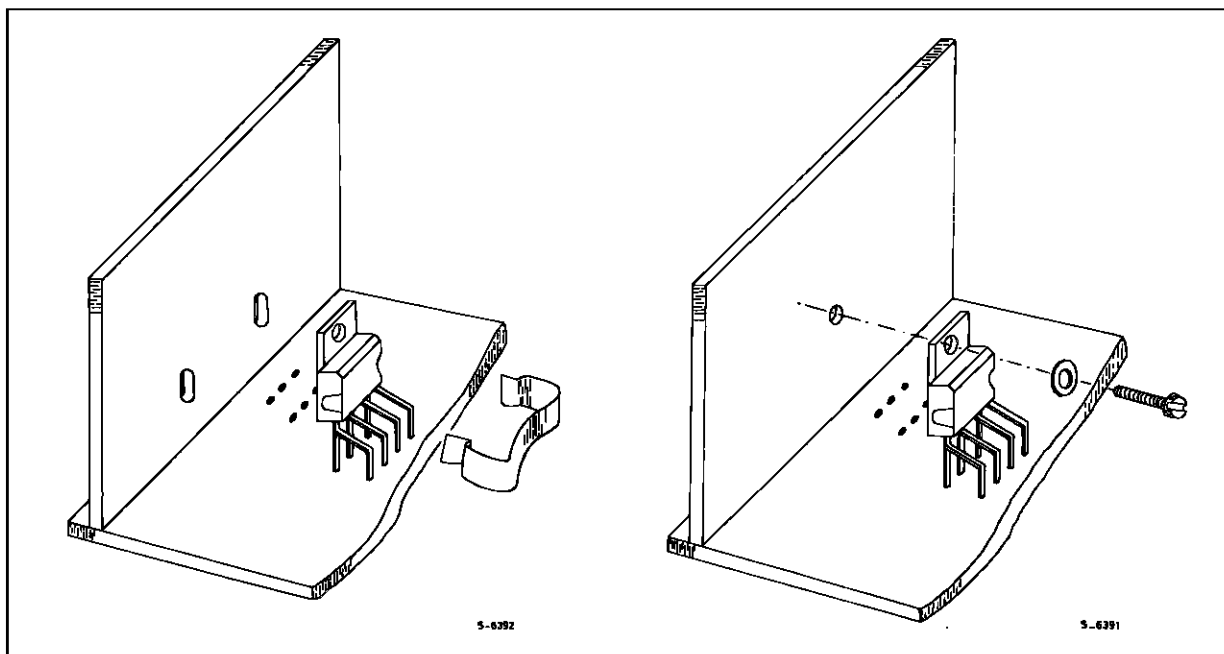
9302H-07.EPS

**MOUNTING INSTRUCTIONS**

The power dissipated in the circuit must be removed by adding an external heatsink. Thanks to the HEPTAWATT™ package attaching the heatsink is very simple, a screw or a compression spring (clip) being sufficient.

Between the heatsink and the package it is better to insert a layer of silicon grease, to optimize the thermal contact ; no electrical isolation is needed between the two surfaces, since the tab is connected to Pin 4 which is ground.

Figure 3 : Mounting Examples



9302H-08.EPS/9302H-09.EPS

