



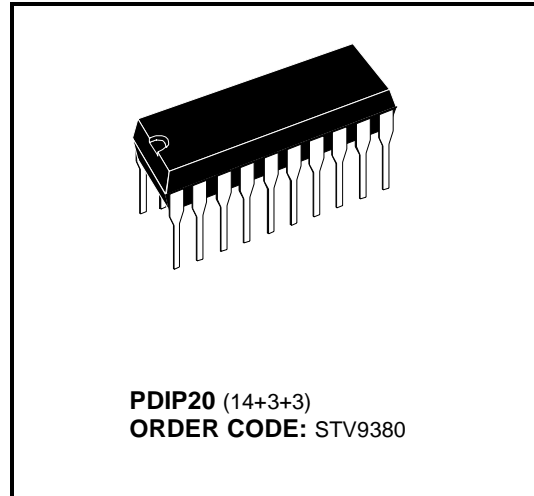
STV9380

CLASS-D VERTICAL DEFLECTION AMPLIFIER FOR TV AND MONITOR APPLICATION

TARGET SPECIFICATION

FEATURES

- High Efficiency Power Amplifier
- No Heatsink
- Split Supply
- Flyback Generator
- Output Current up to 2.5 APP
- Flyback Voltage up to 65V
- Suitable for DC Coupling Application

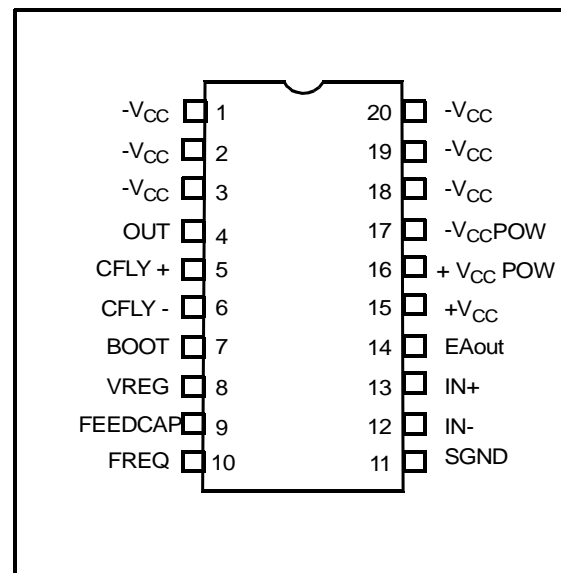


DESCRIPTION

Designed for monitors and TVs, the STV9380 is a class-D vertical deflection booster assembled in PDIP20 Package.

It operates with supplies up to +/- 16V, provides up to 2.5 App output current to drive the yoke. Fly-back voltage is close to 65V.

PIN CONNECTION



Version 1.1

May 2000

1/7

This is preliminary information on a new product now in development. Details are subject to change without notice.

1 - PIN FUNCTIONS

Pin Number	Name	Function
1	-V _{CC}	Negative supply
2	-V _{CC}	Negative supply
3	-V _{CC}	Negative supply
4	OUT	PWM Output
5	CFLY+	Flyback capacitor
6	CFLY-	Flyback capacitor
7	BOOT	Bootstrap capacitor
8	VREG	Internal voltage regulator
9	FEEDCAP	Feed-back integrated capacitor
10	FREQ	Frequency setting resistor
11	SGND	Signal Ground
12	IN-	Error amplifier inverting input
13	IN+	Error amplifier non-inverting input
14	EA out	Error amplifier output
15	+V _{CC}	Positive supply
16	+V _{CC} POW	Positive Power supply
17	-V _{CC} POW	Negative Power supply
18	-V _{CC}	Negative supply
19	-V _{CC}	Negative supply
20	-V _{CC}	Negative supply

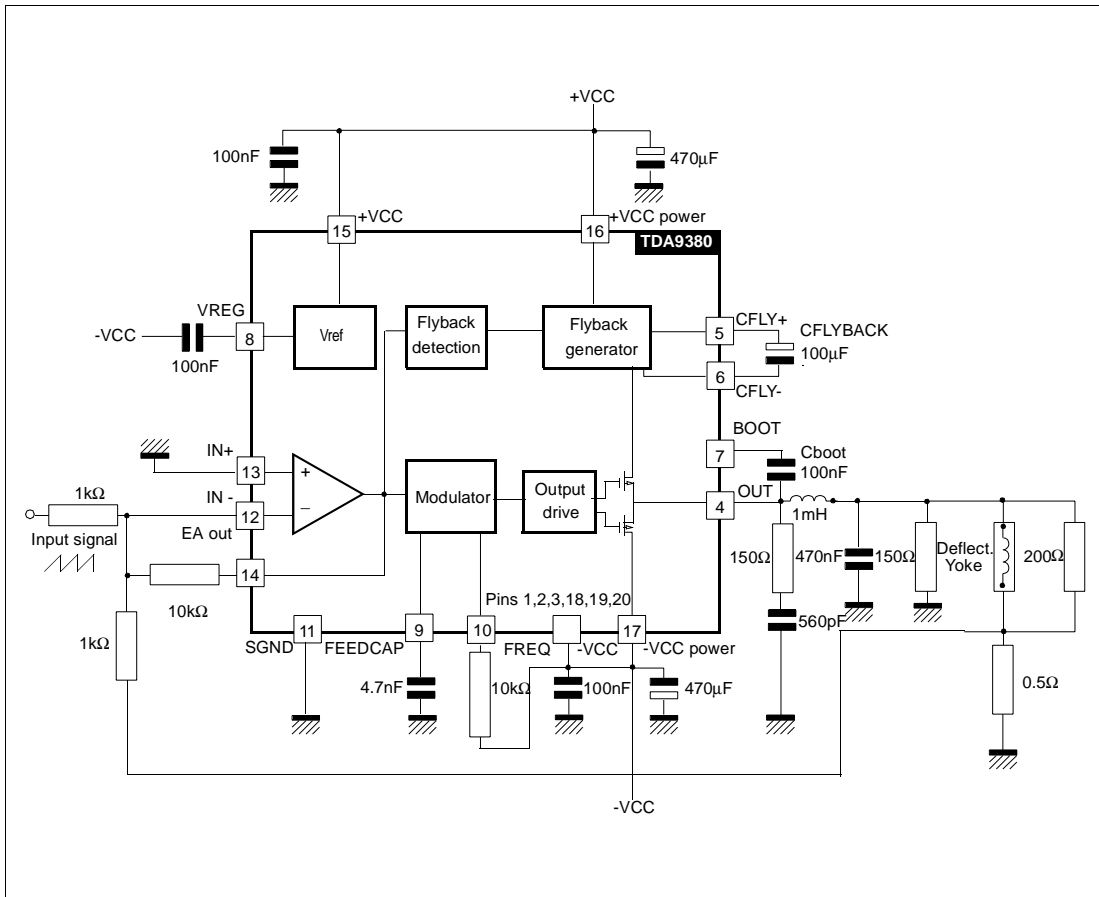
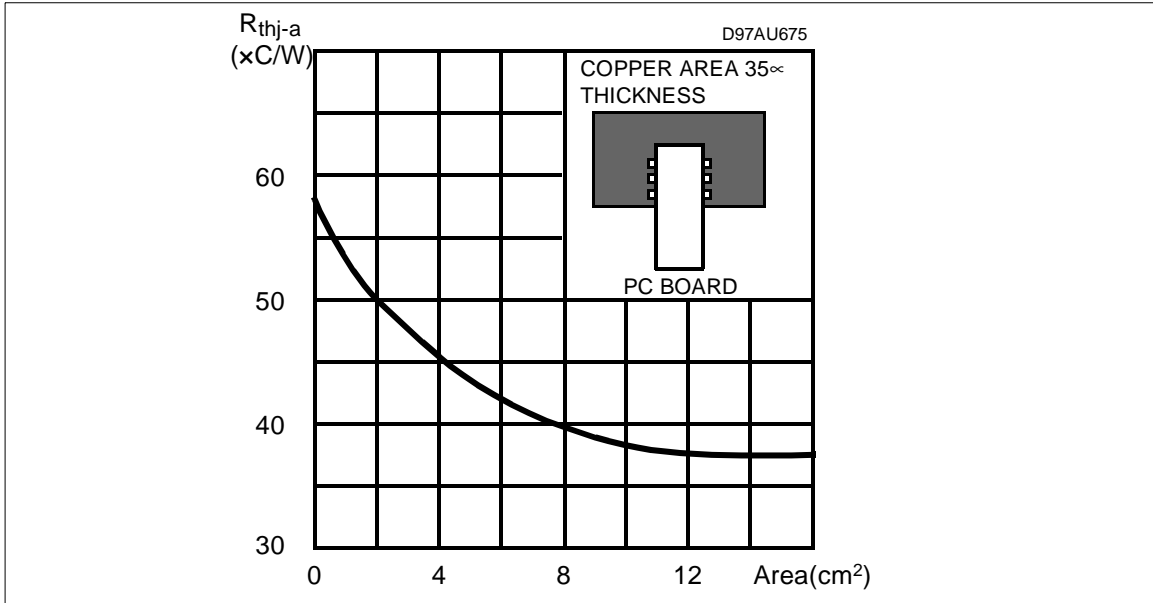


Figure 1. Test and Application Circuit

Figure 2. Rth with “on board” Square Heatsink vs. copper area



2 - ABSOLUTE MAXIMUM RATING

Symbol	Parameter	Value	Unit
VCC	DC Supply Voltage	± 18	V
T_{stg}, T_j	Storage and Junction Temperature	-40 to +150	$^{\circ}C$
T_{op}	Operating Temperature Range	0 to +70	$^{\circ}C$
VESD	ESD Susceptibility - Human Body Model (100 pF discharge through 1.5 k Ω)	± 2	kV
I _{out}	Output current	± 1.6	A

3 - THERMAL DATA

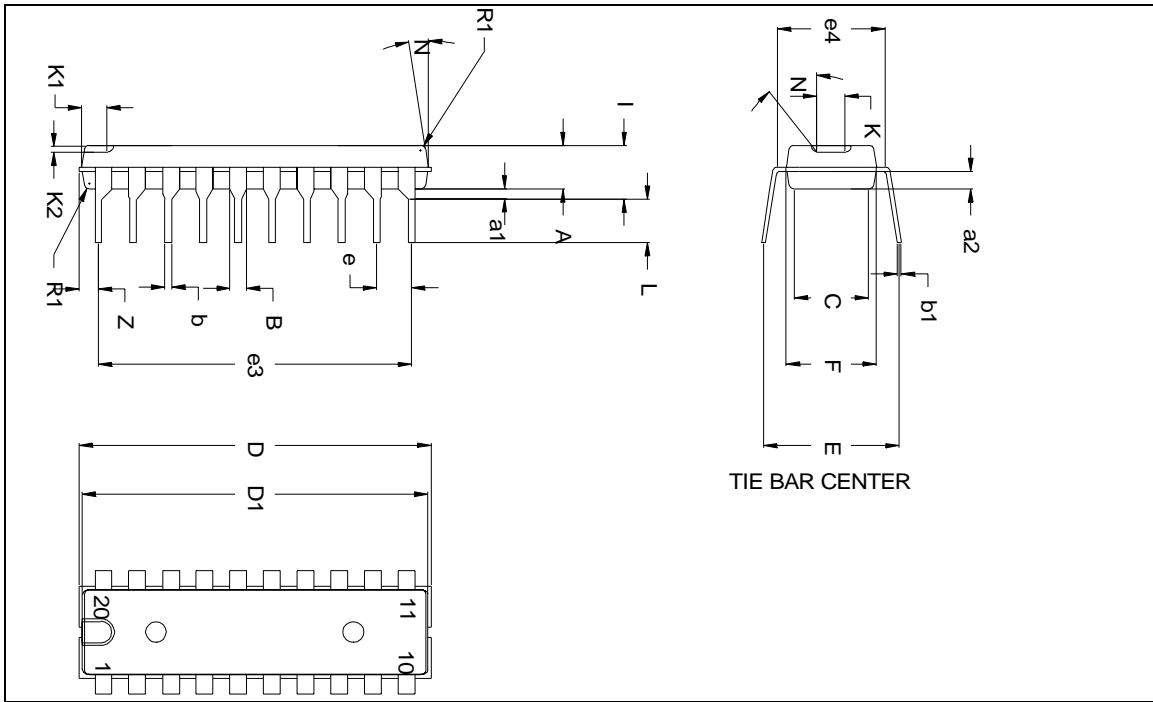
Symbol	Parameter	Value	Unit
$R_{thj-amb}$	Thermal resistance Junction to ambient	80	$^{\circ}C/W$
$R_{thj-pin}$	Thermal Resistance Junction to Pin	12	$^{\circ}C/W$

4 - ELECTRICAL CHARACTERISTICS (refer to Figure 1 on page 3)

Tamb = 25°C unless otherwise specified, Vcc = ±12V

Symbol	Parameter	Test Conditions	Min.	Typ.	Max.	Units
Vcc	Supply range		±10		±16	V
Iout	Maximum recommended output current				±1.25	A
Iq	Quiescent supply current	Input voltage = 0		TBD	TBD	mA
I ₁₃ , I ₁₂	Amplifier Input bias current			-0.1		µA
V _{OS}	Output Offset voltage	Input voltage = 0	-50		+50	mV
SVR	Supply voltage rejection	TBD		TBD		dB
Fly _{thr}	Flyback detection threshold positive slope	V(14)		1.5		V
Fly _{thf}	Flyback detection threshold negative slope	V(14)		0.5		V
η	Efficiency = P _o /(P _o + P _d)	P _o = 3 W		TBD		
Fsw	Switching frequency		120	140	160	kHz
Fsw - op	Switching frequency operative range		100		200	kHz
R _{freq}	Frequency controller resistor range		7	10	14	kΩ

5 - PACKAGE MECHANICAL DATA



Dimensions	Millimeters			Inches		
	Typ.	Min.	Max.	Typ.	Min.	Max.
A	3.30	3.18	3.43	0.130	0.125	0.135
a1	0.762	0.508	1.016	0.030	0.020	0.040
a2	1.30			0.051		
B	1.27	0.85	1.40	0.050	0.033	0.055
b	0.508	0.45	0.53	0.020	0.018	0.021
b1	0.43	0.38	0.48	0.017	0.015	0.019
C		5.20	6.00		0.205	0.236
D	24.65	24.55	24.77	0.970	0.966	0.975
D1	24.38	24.33	24.45	0.959	0.958	0.962
E	8.80	8.40	9.10	0.346	0.331	0.358
e	2.54	2.29	2.79	0.100	0.090	0.110
e3	22.86	22.60	23.11	0.900	0.890	0.910
e4	7.62	7.36	7.87	0.300	0.290	0.310
F	6.35	6.22	6.47	0.250	0.245	0.255
I	4.06	3.81	4.31	0.160	0.150	0.170
L	3.30	3.00	3.70	0.130	0.118	0.146
N	10d			10d		
R1	0.40			0.016		
K	2.00	1.90	2.16	0.079	0.075	0.085
K1	2.40	2.30	2.50	0.094	0.090	0.098
K2	0.50	0.45	0.55	0.020	0.018	0.022
Z			1.27			0.050

Information furnished is believed to be accurate and reliable. However, STMicroelectronics assumes no responsibility for the consequences of use of such information nor for any infringement of patents or other rights of third parties which may result from its use. No license is granted by implication or otherwise under any patent or patent rights of STMicroelectronics. Specifications mentioned in this publication are subject to change without notice. This publication supersedes and replaces all information previously supplied. STMicroelectronics products are not authorized for use as critical components in life support devices or systems without the express written approval of STMicroelectronics.

The ST logo is a registered trademark of STMicroelectronics

©2000 STMicroelectronics - All Rights Reserved.

Purchase of I²C Components by STMicroelectronics conveys a license under the Philips I²C Patent. Rights to use these components in an I²C system is granted provided that the system conforms to the I²C Standard Specification as defined by Philips.

STMicroelectronics Group of Companies

Australia - Brazil - China - Finland - France - Germany - Hong Kong - India - Italy - Japan - Malaysia - Malta - Morocco - Singapore - Spain Sweden - Switzerland - United Kingdom - U.S.A.

<http://www.st.com>