

T-77-21

IR2408 Running Indicator Display Driver

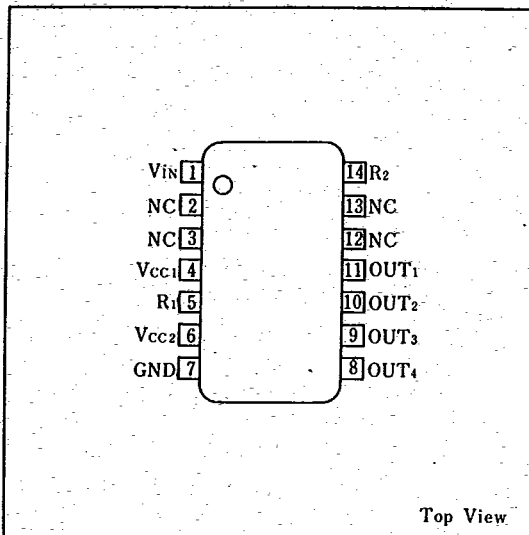
■ Description

The IR2408 is a running indicator LED display driver IC designed to light 4-LEDs in order.

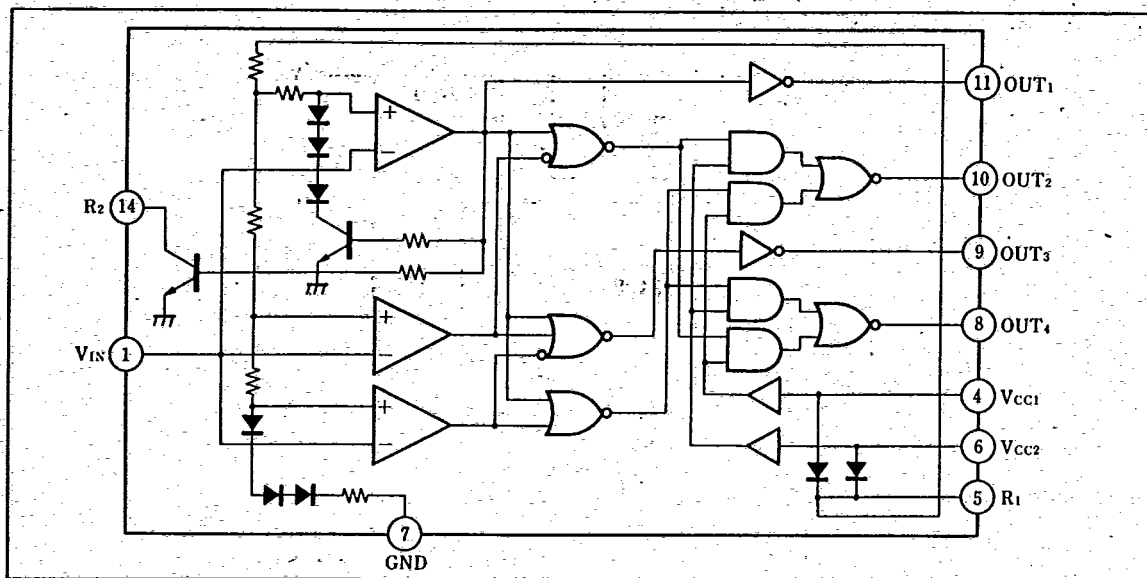
■ Features

1. Suit for tape recorder running indicator
2. Normal or reversal running
3. 14-pin dual-in-line package

■ Pin Connections



■ Block Diagram



Absolute Maximum Ratings

(Ta=25°C)

Parameter	Symbol	Condition	Rating	Unit
Supply voltage	V _{CC}		18	V
Output Current	I _{OUT}		50	mA
Power dissipation	P _D	Ta ≤ 25°C	650	mW
P _D derating ratio	ΔP _D /°C	Ta > 25°C	6.5	mW/°C
Operating temperature	T _{opr}		-20 ~ +60	°C
Storage temperature	T _{stg}		-20 ~ +100	°C

Electrical Characteristics

(V_{CC}=12V, Ta=25°C)

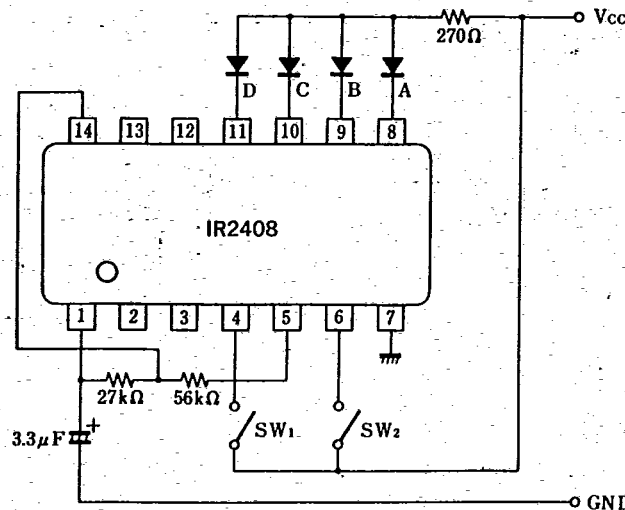
Parameter	Symbol	Condition	MIN.	TYP.	MAX.	Unit
Supply voltage	V _{CC}		6		15	V
Supply current	I _{CC}				19	mA
Input current	I _{IN}	V _{IN} =1V		1		μA
Light-on time ratio	Δt ₁	Maximum/minimum light-on time ratio of pins 8~10			1.5	
	Δt ₂	light-on time 8 output pin-11/total light-on time of pins 8~10	0.25		0.42	
Output saturation voltage	V _{SAT}	I _{OUT} =35mA			1	V
Oscillation frequency	f _{osc}	With constants shown in the basic connecting diagram	1.36	1.7	2.04	Hz

Basic Connection Diagram

When using 3 LEDs, use pins 8,9, and 10 and leave pin 11 open.

Turning SW₁ ON causes the LEDs to light up in the sequence of D-C-B-A.

Turning SW₂ ON reverses the sequence for the LEDs to light up in the sequence of A-B-C-D.



SHARP