

September 2000

### 1.0 Features

- Generates all clocks required for single and two-way multi-processor (MP) platforms, including:
  - Four differential current-mode Host clock pairs
  - Four 66.67MHz 3.3V CK66 clock outputs
  - Ten 33.3MHz 3.3V PCI clock outputs
  - Two 3.3V Memory Reference clock outputs
  - Two 48MHz 3.3V CK48 clock outputs
  - Two buffered copies of the crystal reference
- Control of current-mode Host clocks via IREF current programming pin and ISEL\_0:1 current multiplier pins
- Host clock frequency selection via the SEL\_A, SEL\_B, and SEL133/100# pins
- Active-low PWR\_DWN# signal allows one complete clock cycle on each clock outputs and then shuts down the crystal oscillator, PLLs, and outputs
- Spread-spectrum modulation (-0.5% at 31.5kHz) of SSCG PLL clocks, enabled via SS\_EN# input
- Supports test mode and tristate output control to facilitate board testing
- Available in a 56-pin SSOP and TSSOP

Figure 1: Block Diagram

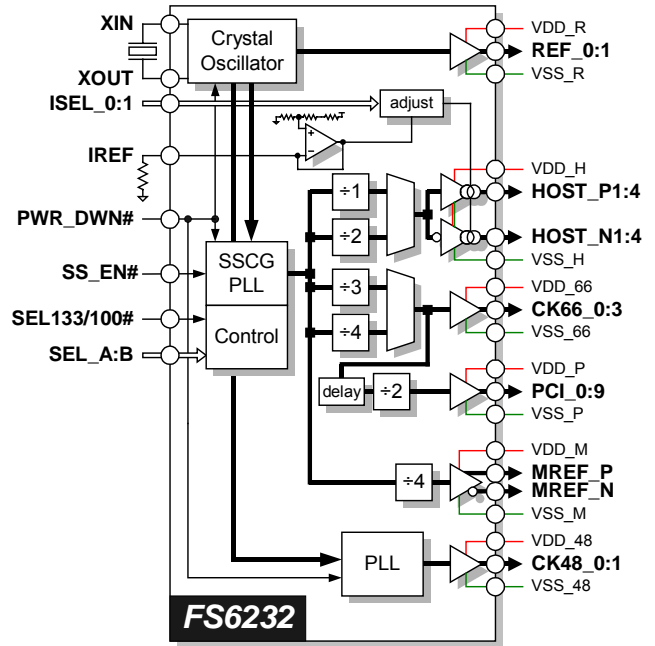


Figure 2: Pin Configuration

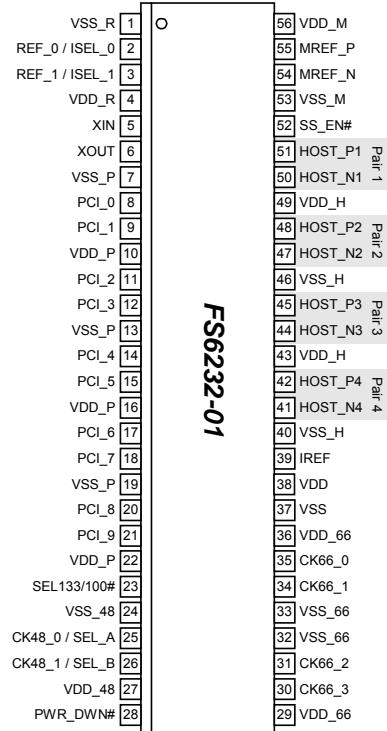


Table 1: Clock Parameters

CLOCK GROUP	# PINS	SUPPLY VOLTAGE	SUPPLY GROUP	FREQ. (MHz)	PHASE	SKEW (MAX)
HOST_P	4	3.3V	VDD_H	133.33 100.00	0°	150ps Pair to Pair
HOST_N	4				180°	
MREF_P	1	3.3V	VDD_M	66.67 50.00	0°	-
MREF_N	1				180°	
CK66	4	3.3V	VDD_66	66.67	0°	250ps
PCI	10	3.3V	VDD_P	33.33	0°	300ps
CK48	2	3.3V	VDD_48	48.008	0°	-
REF	2	3.3V	VDD_R	14.318	0°	-

Table 2: Clock Offsets

RELATION	PHASE	MIN	TYP	MAX
CK66 leads PCI	0°	1.5ns		3.5ns

Intel and Pentium are registered trademarks of Intel Corporation. Lexmark is a trademark of Lexmark International, Inc. Non-linear spread spectrum modulation profile is licensed under US Patent No. 5488627, Lexmark International, Inc. This document contains information on a preproduction product. Specifications and information herein are subject to change without notice.

# FS6232-01

## Two-Way MP Motherboard Clock Generator IC



September 2000

**Table 3: Pin Descriptions**

Key: AI = Analog Input; AO = Analog Output; DI = Digital Input; DI<sup>U</sup> = Input with Internal Pull-Up; DI<sub>D</sub> = Input with Internal Pull-Down; DIO = Digital Input/Output; DI-3 = Three-Level Digital Input, DO = Digital Output; P = Power/Ground; # = Active-low pin

PIN	TYPE	NAME	DESCRIPTION	SUPPLY
25	DIO	CK48_0	One of two 3.3V 48MHz clock outputs, generated from the non-spread PLL	VDD_48
		SEL_A	One of two latched inputs that select the HOST and MREF output frequency	
26	DIO	CK48_1	One of two 3.3V 48MHz clock outputs, generated from the non-spread PLL	VDD_48
		SEL_B	One of two latched inputs that select the HOST and MREF output frequency	
35, 34, 31, 30	DO	CK66_0:3	Four 3.3V 66.67MHz clock outputs, generated from the spread spectrum PLL	VDD_66
50, 51	AO	HOST_P1 HOST_N1	Host clock pair #1; one of six pairs of current-steering differential current-mode outputs. The current is established via a reference current at IREF and a multiplying factor set by ISEL_0:1	VDD_H
47, 48	AO	HOST_P2 HOST_N2	Host clock pair #2; one of six pairs of current-steering differential current-mode outputs	VDD_H
44, 45	AO	HOST_P3 HOST_N3	Host clock pair #3; one of six pairs of current-steering differential current-mode outputs	VDD_H
41, 42	AO	HOST_P4 HOST_N4	Host clock pair #4; one of six pairs of current-steering differential current-mode outputs	VDD_H
39	AI	IREF	A fixed precision resistor from this pin to ground provides a reference current used for the differential current-mode HOST clock outputs	VDD
54	DO	MREF_N	One clock (180° out of phase with MREF_P) in a pair of outputs provided as a reference clock to a memory clock driver	VDD_M
55	DO	MREF_P	One clock in a pair of outputs provided as a reference clock to a memory clock driver	VDD_M
8, 9, 11, 12, 14, 15, 17, 18, 20, 21	DO	PCI_0:9	Ten 3.3V 33.3MHz PCI clocks, lagging the CK66 clock by 1.5 to 3.5ns	VDD_P
28	DI	PWR_DWN#	Asynchronous active-low LVTTTL power-down signal shuts down oscillator and PLL, puts all clocks in low state. Complete clock cycles on all outputs will occur before shut down begins.	VDD_48
2	DIO	REF_0	One of two 3.3V buffered copies of the crystal reference frequency clock	VDD_R
		ISEL_0	One of two latched inputs that select the multiplying factor of the IREF reference current for the HOST pair outputs	
3	DIO	REF_1	One of two 3.3V buffered copies of the crystal reference frequency clock	VDD_R
		ISEL_1	One of two latched inputs that select the multiplying factor of the IREF reference current for the HOST pair outputs	
23	DI	SEL133/100#	Selects 133MHz (logic high) or 100MHz (logic low) Host clock frequency	VDD_48
52	DI	SS_EN#	Active low spread-spectrum enable turns on spread spectrum modulation	VDD_M
38	P	VDD	3.3V core power supply	-
27	P	VDD_48	3.3V power supply for CK48 clock outputs	-
29, 36	P	VDD_66	3.3V power supply for CK66 clock outputs	-
43, 49	P	VDD_H	3.3V power supply for the differential HOST clock outputs	-
56	P	VDD_M	3.3V power supply for MREF clock outputs	-
10, 16, 22	P	VDD_P	3.3V power supply for PCI clock outputs	-
4	P	VDD_R	3.3V power supply for the REF clock output and the crystal oscillator	-
37	P	VSS	Core ground	-
24	P	VSS_48	Ground for the CK48 clock outputs	-
32, 33	P	VSS_66	Ground for the CK66 clock outputs	-
40, 46	P	VSS_H	Ground for the differential HOST clock outputs	-
53	P	VSS_M	Ground for the MREF clock outputs	-
7, 13, 19	P	VSS_P	Ground for the PCI clock outputs	-
1	P	VSS_R	Ground for the REF clock outputs and the crystal oscillator	-
5	AI	XIN	14.318MHz crystal oscillator input	VDD_R
6	AO	XOUT	14.318MHz crystal oscillator output	VDD_R

September 2000

## 2.0 Programming Information

**Table 4: Function/Clock Enable Configuration**

CONTROL INPUTS				CLOCK OUTPUTS (MHz)						
PWR_DWN#	SEL_133/100#	SEL_A	SEL_B	HOST_P 1:4	HOST_N 1:4	MREF_P, MREF_N	CK66_0:3	PCI_0:9	CK48_0:1	REF
1	0	0	0	100.00	100.00	50.00	66.67	33.33	48.008	14.318
1	0	0	1	reserved	reserved	reserved	reserved	reserved	reserved	reserved
1	0	1	0	reserved	reserved	reserved	reserved	reserved	reserved	reserved
1	0	1	1	tristate	tristate	tristate	tristate	tristate	tristate	tristate
1	1	0	0	133.33	133.33	66.67	66.67	33.33	48.008	14.318
1	1	0	1	reserved	reserved	reserved	reserved	reserved	reserved	reserved
1	1	1	0	reserved	reserved	reserved	reserved	reserved	reserved	reserved
1	1	1	1	XIN ÷ 2	XIN ÷ 2	XIN ÷ 4	XIN ÷ 4	XIN ÷ 8	XIN ÷ 2	XIN
0	X	X	X	2 × IREF	tristate	low	low	low	low	low

**Table 5: Synthesis Error**

CLOCK	TARGET (MHz)	ACTUAL (MHz)	DEVIATION (ppm)
HOST_P1:4, HOST_N1:4	100.0000	99.9963	-36.657
	133.3333	133.3072	-195.924
MREF_P, MREF_N	50.0000	49.9982	-36.657
	66.6667	66.6536	-195.924
CK66	66.6667	66.6642	-36.657
PCI	33.3333	33.3321	-36.657
CK48 <sup>(1)</sup>	48.000	48.008	+167

- 48MHz USB clock is required to be +167ppm off from 48.000MHz to conform to USB standards.
- Spread spectrum is disabled

### 3.0 HOST Buffer Current Control

The current supplied at the HOST outputs is controlled by two parameters:

- the value of the programming resistor from the IREF pin to ground (VSS), and
- the multiplier factor determined by the logic setting of the ISEL\_0 and ISEL\_1 pins.

### 3.1 Current Reference

The HOST output current is a mirrored and scaled copy of the reference current flowing through the programming resistor on the IREF pin. Conceptually, the circuit given in Figure 2 shows how the mirror current is generated.

The voltage that appears at the IREF pin is one-third of the voltage at the VDD\_I pin. The reference current is

$$I_{REF} = \frac{\left(\frac{1}{3} \times VDD_I\right)}{R_{IREF}}$$

### 3.2 Current Scaling

The mirrored reference current can be increased by adding one or more copies of the mirror current together. The additional current is controlled by the logic settings on the ISEL\_0 and ISEL\_1 pins.

**Table 6: Current Multiplier**

ISEL_0	ISEL_1	MULTIPLIER
0	0	I <sub>O</sub> = 5 × I <sub>REF</sub>
0	1	I <sub>O</sub> = 6 × I <sub>REF</sub>
1	0	I <sub>O</sub> = 4 × I <sub>REF</sub>
1	1	I <sub>O</sub> = 7 × I <sub>REF</sub>

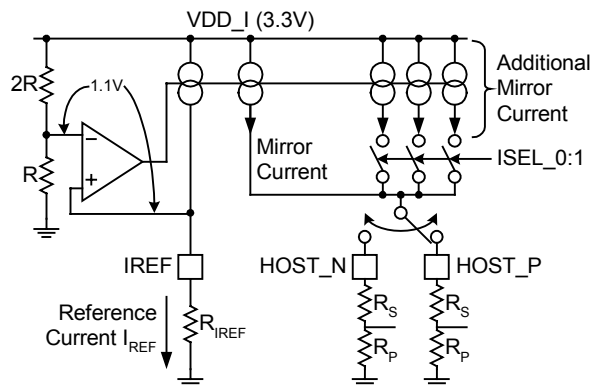
# FS6232-01

## Two-Way MP Motherboard Clock Generator IC



September 2000

**Figure 2: Current Reference Circuit**



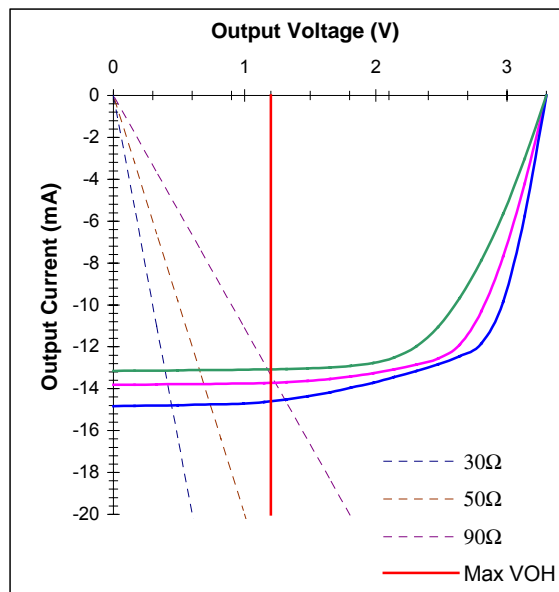
**Table 7: HOST Current Selection**

PROGRAM RESISTOR $R_{REF}$	REFERENCE CURRENT $I_{REF}$	CURRENT MULTIPLIER	TRACE IMPEDANCE	OUTPUT VOLTAGE
475Ω (1%)	2.32mA	$I_O = 5 \times I_{REF}$	60Ω	0.71V
475Ω (1%)	2.32mA	$I_O = 5 \times I_{REF}$	50Ω	0.59V
475Ω (1%)	2.32mA	$I_O = 6 \times I_{REF}$	60Ω	0.85V
475Ω (1%)	2.32mA	$I_O = 6 \times I_{REF}$	50Ω	0.71V
475Ω (1%)	2.32mA	$I_O = 4 \times I_{REF}$	60Ω	0.56V
475Ω (1%)	2.32mA	$I_O = 4 \times I_{REF}$	50Ω	0.47V
475Ω (1%)	2.32mA	$I_O = 7 \times I_{REF}$	60Ω	0.99V
475Ω (1%)	2.32mA	$I_O = 7 \times I_{REF}$	50Ω	0.82V
221Ω (1%)	5mA	$I_O = 5 \times I_{REF}$	30Ω	0.75V
221Ω (1%)	5mA	$I_O = 5 \times I_{REF}$	25Ω	0.62V
221Ω (1%)	5mA	$I_O = 6 \times I_{REF}$	30Ω	0.90V
221Ω (1%)	5mA	$I_O = 6 \times I_{REF}$	25Ω	0.75V
221Ω (1%)	5mA	$I_O = 4 \times I_{REF}$	30Ω	0.60V
221Ω (1%)	5mA	$I_O = 4 \times I_{REF}$	25Ω	0.50V
221Ω (1%)	5mA	$I_O = 7 \times I_{REF}$	30Ω	1.05V
221Ω (1%)	5mA	$I_O = 7 \times I_{REF}$	25Ω	0.84V

NOTE: Shaded row indicates the Primary System Configuration

**Table 8: HOST Buffer Clock Output**

Output Voltage (V)	HIGH DRIVE CURRENT (mA) AT PRIMARY SYSTEM CONFIGURATION		
	MIN.	TYP.	MAX.
3.30	0.00	0.00	0.00
3.14	-3.03	-4.22	-5.76
2.97	-5.66	-7.68	-9.86
2.81	-7.87	-10.30	-11.85
2.64	-9.67	-11.91	-12.45
2.48	-11.05	-12.56	-12.84
2.31	-11.98	-12.85	-13.16
2.14	-12.52	-13.07	-13.45
1.98	-12.77	-13.26	-13.72
1.81	-12.91	-13.42	-13.96
1.65	-12.99	-13.54	-14.17
1.48	-13.04	-13.64	-14.36
1.32	-13.07	-13.70	-14.52
1.15	-13.08	-13.73	-14.64
0.99	-13.09	-13.75	-14.71
0.82	-13.11	-13.76	-14.74
0.66	-13.12	-13.78	-14.76
0.49	-13.13	-13.79	-14.78
0.33	-13.13	-13.80	-14.80
0.16	-13.14	-13.81	-14.82
0.00	-13.15	-13.82	-14.83



Data in this table represents nominal characterization data only

September 2000

### 4.0 Power Management

The PWR\_DWN# signal is an asynchronous, active-low LVTTTL input that places the device in a low power inactive state without removing power from the device. All internal clocks are turned off, and all clock outputs are held low.

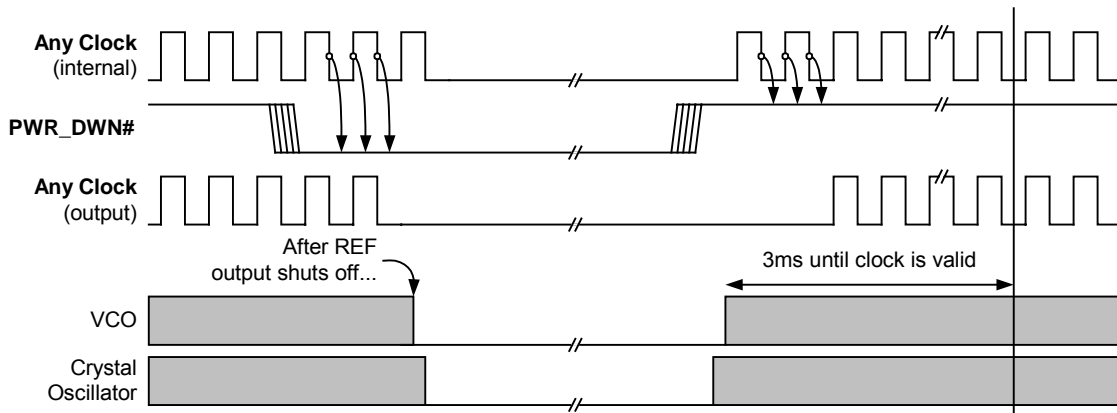
Since PWR\_DWN# is asynchronous, the signal is synchronized internally to each individual clock. As shown in Figure 3, a falling-rising-falling edge sequence on any individual clock output is required before that clock output is disabled low. This edge sequence ensures that one complete clock cycle will occur before the clock stops.

Table 9: Latency Table

SIGNAL	SIGNAL STATE		LATENCY		
				MIN.	MAX.
PWR_DWN#	0	Power OFF	Output:	2 clocks	3 clocks
			Device:	2× REF clocks	3× REF clocks
	1	Power ON	3ms		

Upon the release of PWR\_DWN# (power-up), external circuitry should allow a minimum of 3ms for the PLL to lock before enabling any clocks.

Figure 3: PWR\_DWN# Timing



Shaded regions in the Crystal Oscillator and VCO waveforms indicate that the clock is valid and the Crystal Oscillator and VCO are active.

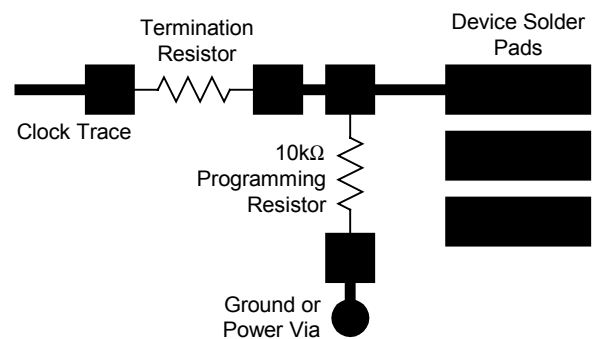
### 5.0 Dual Function I/O Pins

Several pins on this device serve as dual function input/output pins. During the initial application of VDD to the device, this type of pin functions as an input pin. Upon completion of power-up, the logic state present on the pin is latched internally, and the pin is converted to an output driver.

An external 10kΩ pull-down resistor to ground is required for a logic low and a 10kΩ pull-up resistor to the clock output VDD is required for a logic high. The 10kΩ resistor presents an insignificant load to the output driver that should not affect the output clock.

Note that the latching of the logic state occurs only on the application of the chip supply voltage (VDD). The logic state on the pin is not latched if the PWR\_DWN# signal is used to power-down the device with VDD still applied.

Figure 4: I/O Pin Programming



# FS6232-01

## Two-Way MP Motherboard Clock Generator IC



September 2000

### 6.0 Electrical Specifications

**Table 10: Absolute Maximum Ratings**

Stresses above those listed under Absolute Maximum Ratings may cause permanent damage to the device. These conditions represent a stress rating only, and functional operation of the device at these or any other conditions above the operational limits noted in this specification is not implied. Exposure to maximum rating conditions for extended conditions may affect device performance, functionality, and reliability.

PARAMETER	SYMBOL	MIN.	MAX.	UNITS
Supply Voltage ( $V_{SS} = \text{ground}$ )	$V_{DD}$	$V_{SS}-0.5$	7	V
Input Voltage, dc	$V_I$	$V_{SS}-0.5$	$V_{DD}+0.5$	V
Output Voltage, dc	$V_O$	$V_{SS}-0.5$	$V_{DD}+0.5$	V
Input Clamp Current, dc ( $V_I < 0$ or $V_I > V_{DD}$ )	$I_{IK}$	-50	50	mA
Output Clamp Current, dc ( $V_I < 0$ or $V_I > V_{DD}$ )	$I_{OK}$	-50	50	mA
Storage Temperature Range (non-condensing)	$T_S$	-65	150	°C
Ambient Temperature Range, Under Bias	$T_A$	-55	125	°C
Junction Temperature	$T_J$		125	°C
Lead Temperature (soldering, 10s)			260	°C
Input Static Discharge Voltage Protection (MIL-STD 883E, Method 3015.7)			2	kV



**CAUTION: ELECTROSTATIC SENSITIVE DEVICE**

Permanent damage resulting in a loss of functionality or performance may occur if this device is subjected to a high-energy electrostatic discharge.

**Table 11: Operating Conditions**

PARAMETER	SYMBOL	CONDITIONS/DESCRIPTION	MIN.	TYP.	MAX.	UNITS
Supply Voltage	$V_{DD}$	Core (VDD)	3.135	3.3	3.465	V
		Clock Buffers (VDD_48, VDD_66, VDD_H, VDD_M, VDD_P, VDD_R)	3.135	3.3	3.465	
Operating Temperature Range	$T_A$		0		70	°C
Crystal Resonator Frequency	$f_{XTAL}$		14.316	14.318	14.32	MHz
Crystal Resonator Load Capacitance	$C_{XL}$	XIN, XOUT pins	13.5	18	22.5	pF
Load Capacitance	$C_L$	MREF_P, MREF_N	10		30	pF
		PCI_0:9	10		30	
		CK66_0:3	10		30	
		CK48_0:1	10		20	
		REF_0:1	10		20	
Load Resistance	$R_L$	HOST_P1 to HOST_P4, HOST_N1 to HOST_N4	20		105	Ω
Maximum High-Level Output Voltage	$V_{OH}$	HOST_P1 to HOST_P4, HOST_N1 to HOST_N4			1.20	V

September 2000

**Table 12: DC Electrical Specifications**

Unless otherwise stated, all power supplies = 3.3V ± 5%, no load on any output, and ambient temperature range  $T_A = 0^\circ\text{C}$  to  $70^\circ\text{C}$ . Parameters denoted with an asterisk ( \* ) represent nominal characterization data and are not currently production tested to any specific limits. MIN and MAX characterization data are  $\pm 3\sigma$  from typical. Negative currents indicate current flows out of the device.

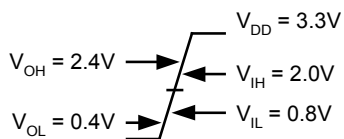
PARAMETER	SYMBOL	CONDITIONS/DESCRIPTION	MIN.	TYP.	MAX.	UNITS
<b>Overall</b>						
Supply Current, Dynamic, with Loaded Outputs	$I_{DD}$	$f_{\text{HOST}}=133\text{MHz}; V_{DD}=3.465\text{V}, R_{\text{IREF}}=475\Omega, I_{\text{OH}}=6I_{\text{REF}}$		260		mA
		$f_{\text{HOST}}=100\text{MHz}; V_{DD}=3.465\text{V}, R_{\text{IREF}}=475\Omega, I_{\text{OH}}=6I_{\text{REF}}$		250		
Supply Current, Static	$I_{DDs}$	PWR_DWN# low, all supplies = 3.465V, $R_{\text{IREF}}=475\Omega, I_{\text{OH}}=6 \times I_{\text{REF}}$				$\mu\text{A}$
<b>Digital Inputs (PWR_DWN#, SEL133/100#, SS_EN#)</b>						
High-Level Input Voltage	$V_{\text{IH}}$		2.0		$V_{DD}+0.3$	V
Low-Level Input Voltage	$V_{\text{IL}}$		$V_{SS}-0.3$		0.8	V
Input Leakage Current	$I_{\text{IL}}$		-5		+5	$\mu\text{A}$
<b>Crystal Oscillator Feedback (XIN)</b>						
Threshold Bias Voltage	$V_{\text{TH}}$			1.5		V
High-Level Input Current	$I_{\text{IH}}$	$V_{\text{IH}} = 3.3\text{V}$		32		$\mu\text{A}$
Low-Level Input Current	$I_{\text{IL}}$	$V_{\text{IL}} = 0\text{V}$		-32		$\mu\text{A}$
Crystal Loading Capacitance *	$C_{\text{L(xtal)}}$	As seen by an external crystal connected to XIN and XOUT	13.5	18	22.5	pF
Input Loading Capacitance *	$C_{\text{L(XIN)}}$	As seen by an external clock driver on XOUT; XIN unconnected		36		pF
<b>Crystal Oscillator Drive (XOUT)</b>						
High Level Output Source Current	$I_{\text{OH}}$	$V_{\text{I(XIN)}} = 3.3\text{V}, V_{\text{O}} = 0\text{V}$		-8.0		mA
Low Level Output Sink Current	$I_{\text{OL}}$	$V_{\text{I(XIN)}} = 0\text{V}, V_{\text{O}} = 3.3\text{V}$		8.7		mA
<b>Current Reference (IREF)</b>						
Bias Voltage	$V_{\text{OH}}$	no load		1.1		V
Short Circuit Output Source Current	$I_{\text{OH}}$	$V_{\text{O}} = 0\text{V}$				mA
<b>MREF_P, MREF_N, CK66_0:3, PCI_0:9 Clock Outputs (Type 5 Clock Driver)</b>						
High Level Output Source Current	$I_{\text{OH min}}$	$V_{\text{DD\_M}}, V_{\text{DD\_66}}, V_{\text{DD\_P}} = 3.135\text{V}, V_{\text{O}} = 1.0\text{V}$	-33			mA
	$I_{\text{OH max}}$	$V_{\text{DD\_M}}, V_{\text{DD\_66}}, V_{\text{DD\_P}} = 3.465\text{V}, V_{\text{O}} = 3.135\text{V}$			-33	
Low Level Output Sink Current	$I_{\text{OL min}}$	$V_{\text{DD\_M}}, V_{\text{DD\_66}}, V_{\text{DD\_P}} = 3.135\text{V}, V_{\text{O}} = 1.95\text{V}$	30			mA
	$I_{\text{OL max}}$	$V_{\text{DD\_M}}, V_{\text{DD\_66}}, V_{\text{DD\_P}} = 3.465\text{V}, V_{\text{O}} = 0.4\text{V}$			38	
Output Impedance	$Z_{\text{OL}}$	Measured at 1.65V, output driving low	12		55	$\Omega$
	$Z_{\text{OH}}$	Measured at 1.65V, output driving high	12		55	
Tristate Output Current	$I_{\text{OZ}}$		-10		10	$\mu\text{A}$
Short Circuit Output Source Current	$I_{\text{OSH}}$	$V_{\text{O}} = 0\text{V};$ shorted for 30s, max.		-51		mA
Short Circuit Output Sink Current	$I_{\text{OSL}}$	$V_{\text{O}} = 3.3\text{V};$ shorted for 30s, max.		62		mA

**Table 13: DC Electrical Specifications, continued**

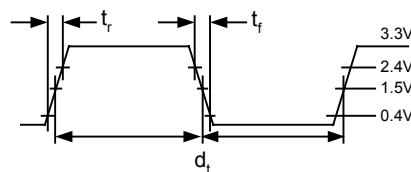
Unless otherwise stated, all power supplies = 3.3V ± 5%, no load on any output, and ambient temperature range  $T_A = 0^\circ\text{C}$  to  $70^\circ\text{C}$ . Parameters denoted with an asterisk ( \* ) represent nominal characterization data and are not currently production tested to any specific limits. MIN and MAX characterization data are  $\pm 3\sigma$  from typical. Negative currents indicate current flows out of the device.

PARAMETER	SYMBOL	CONDITIONS/DESCRIPTION	MIN.	TYP.	MAX.	UNITS	
<b>HOST_P1:4, HOST_N1:4 Clock Outputs (Type X1 Clock Driver)</b>							
Crossover Voltage	$V_X$	$R_S = 33.2\Omega$ , $R_P = 49.9\Omega$ , $R_{IREF} = 475\Omega$ , $I_{OH} = 6 \times I_{REF}$	45		55	% $V_{OH}$	
High-Level Output Source Current	$I_{OH}$	$V_O = 0.65\text{V}$ , $R_{IREF} = 475\Omega$ , $I_{OH} = 6 \times I_{REF}$	12.9			mA	
		$V_O = 0.74\text{V}$ , $R_{IREF} = 475\Omega$ , $I_{OH} = 6 \times I_{REF}$			14.9		
Output Source Current Tolerance	$\Delta I_{OH}$	$V_{DD} = 3.3\text{V}$ , over settings in Table 7	-7		+7	% $I_{OH}$	
		$V_{DD\_I} = 3.3\text{V} \pm 5\%$ , over settings in Table 7	-12		+12		
Output Impedance	$Z_{OH}$	$\Delta V_O / \Delta I_O$ , where $V_{O1} = 1.0\text{V}$ , $V_{O2} = V_{SS}$ , $R_{IREF} = 475\Omega$ , $I_{OH} = 6 \times I_{REF}$	3000			$\Omega$	
Tristate Output Current	$I_{OZ}$		-10		10	$\mu\text{A}$	
<b>REF_0 / ISEL_0, REF_1 / ISEL_1 Clock Driver I/O, (Type 3) CK48_0 / SEL_A, CK48_1 / SEL_B Clock Driver I/O (Type 3)</b>							
High-Level Input Voltage	Input	$V_{IH}$	2.0		$V_{DD} + 0.3$	V	
Low-Level Input Voltage		$V_{IL}$	$V_{SS} - 0.3$		0.8	V	
High-Level Input Current		$I_{IH}$			5	$\mu\text{A}$	
Low-Level Input Current (pull-up)		$I_{IL}$	$V_{IL} = 0.4\text{V}$		-9	$\mu\text{A}$	
High Level Output Source Current	Output	$I_{OH}$	$V_{DD\_R}$ , $V_{DD\_48} = 3.465\text{V}$ , $V_O = 2.4\text{V}$	-32		mA	
Low Level Output Sink Current		$I_{OL}$	$V_{DD\_R}$ , $V_{DD\_48} = 3.465\text{V}$ , $V_O = 0.4\text{V}$		13	mA	
Output Impedance		$Z_{OL}$	Measured at 1.65V, output driving low	20		60	$\Omega$
		$Z_{OH}$	Measured at 1.65V, output driving high	20		60	
Tristate Output Current		$I_{OZ}$		-10		10	$\mu\text{A}$
Short Circuit Output Source Current		$I_{OSH}$	$V_O = 0\text{V}$ ; shorted for 30s, max.		-41		mA
Short Circuit Output Sink Current		$I_{OSL}$	$V_O = 3.3\text{V}$ ; shorted for 30s, max.		40		mA

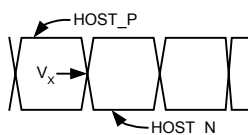
**Figure 5: DC Measurement Diagram**



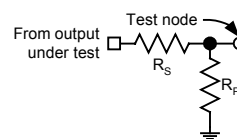
**Figure 6: AC Measurement Diagram**



**Figure 7: HOST Clock  $V_X$  Crossover Point**



**Figure 8: HOST Clock Test Circuit**





September 2000

**Table 14: AC Timing Specifications**

Unless otherwise stated, all power supplies = 3.3V, no load on any output, and ambient temperature  $T_A = 25^\circ\text{C}$ . Parameters denoted with an asterisk ( \* ) represent nominal characterization data and are not currently production tested to any specific limits. MIN and MAX characterization data are  $\pm 3\sigma$  from typical. Spread spectrum modulation is disabled except for Rise/Fall time measurements.

PARAMETER	SYMBOL	CONDITIONS/DESCRIPTION	MIN.	TYP.	MAX.	UNITS
<b>Overall</b>						
Spread Spectrum Modulation Frequency *	$f_m$	SS_EN# low			31.5	kHz
Spread Spectrum Modulation Index *	$\delta_m$	SS_EN# low			-0.5	%
Clock Offset	$t_{pd}$	CK66 leads @ 1.5V, $C_L=30\text{pF}$ to PCI @ 1.5V, $C_L = 30\text{pF}$ (measured on rising edges)	1.5		3.5	ns
Output Tristate Enable Delay *	$t_{DZL}, t_{DZH}$	SEL_A:B = 00, SEL133/100# = 0	1.0		10	ns
Output Tristate Disable Delay *	$t_{DLZ}, t_{DHZ}$	SEL_A:B = 11, SEL133/100# = 0	1.0		10	ns
Power-up PLL Lock Time	$t_L$	via PWR_DWN#			3.0	ms
<b>HOST_P1:4, HOST_N1:4 Clock Outputs</b>						
Clock Skew *	$t_{sk(o)}$	HOST pair to HOST pair @ $V_X$ , $R_{IREF} = 475\Omega$ , $I_{OH} = 6 \times I_{REF}$ , $R_S = 33.2\Omega$ , $R_P = 49.9\Omega$			150	ps
Duty Cycle *	$d_t$	Ratio of high pulse width to one clock period at $V_X$ , $R_{IREF} = 475\Omega$ , $I_{OH} = 6 \times I_{REF}$ , $R_S=33.2\Omega$ , $R_P=49.9\Omega$	45		55	%
Jitter, Period (peak-peak) *	$t_{j(\Delta P)}$	Rising edge to rising edge at $V_X$ , $R_{IREF} = 475\Omega$ , $I_{OH} = 6 \times I_{REF}$ , $R_S = 33.2\Omega$ , $R_P = 49.9\Omega$			200	ps
Rise Time *	$t_r$	Measured at 20% – 80% of $V_{OH}$ ; $R_{IREF} = 475\Omega$ , $I_{OH} = 6 \times I_{REF}$ , $R_S = 33.2\Omega$ , $R_P = 49.9\Omega$	175		450	ps
Rise/Fall Time Matching*		Measured at 20% – 80% of $V_{OH}$ ; $R_{IREF} = 475\Omega$ , $I_{OH} = 6 \times I_{REF}$ , $R_S = 33.2\Omega$ , $R_P = 49.9\Omega$			20	%
<b>MREF_P, MREF_N Clock Outputs</b>						
Duty Cycle *	$d_t$	Ratio of high pulse width to one clock period, measured at 1.5V	45		55	%
Jitter, Period (peak-peak) *	$t_{j(\Delta P)}$	From rising edge to rising edge at 1.5V, $C_L=30\text{pF}$			250	ps
Rise Time *	$t_{r \text{ min}}$	Measured @ 0.4V – 2.4V; $C_L=10\text{pF}$	0.4		1.6	ns
	$t_{r \text{ max}}$	Measured @ 0.4V – 2.4V; $C_L=30\text{pF}$				
Fall Time *	$t_{f \text{ min}}$	Measured @ 2.4V – 0.4V; $C_L=10\text{pF}$	0.4		1.6	ns
	$t_{f \text{ max}}$	Measured @ 2.4V – 0.4V; $C_L=30\text{pF}$				

**Table 15: AC Timing Specifications, continued**

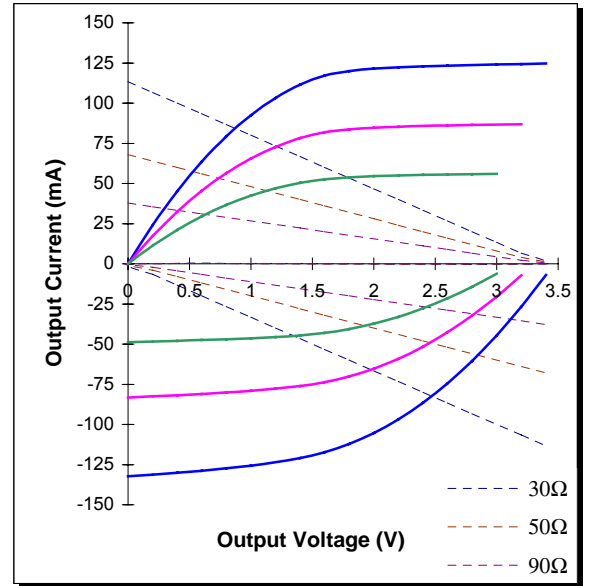
Unless otherwise stated, all power supplies = 3.3V, no load on any output, and ambient temperature  $T_A = 25^\circ\text{C}$ . Parameters denoted with an asterisk ( \* ) represent nominal characterization data and are not currently production tested to any specific limits. MIN and MAX characterization data are  $\pm 3\sigma$  from typical. Spread spectrum modulation is disabled except for Rise/Fall time measurements.

PARAMETER	SYMBOL	CONDITIONS/DESCRIPTION	MIN.	TYP.	MAX.	UNITS
<b>PCI_0:9 Clock Outputs</b>						
Duty Cycle *	$d_t$	Ratio of high pulse width to one clock period, measured at 1.5V	45		55	%
Clock Skew *	$t_{sk(o)}$	One clock output relative to another at 1.5V			500	ps
Jitter, Period (peak-peak) *	$t_{j(\Delta P)}$	From rising edge to rising edge at 1.5V, $C_L = 30\text{pF}$			500	ps
Rise Time *	$t_{r\ min}$	Measured at 0.4V – 2.4V; $C_L = 10\text{pF}$	0.5			ns
	$t_{r\ max}$	Measured at 0.4V – 2.4V; $C_L = 30\text{pF}$			2.0	
Fall Time *	$t_{f\ min}$	Measured at 2.4V – 0.4V; $C_L = 10\text{pF}$	0.5			ns
	$t_{f\ max}$	Measured at 2.4V – 0.4V; $C_L = 30\text{pF}$			2.0	
<b>CK66_0:3 Clock Outputs</b>						
Duty Cycle *	$d_t$	Ratio of high pulse width to one clock period, measured at 1.5V	45		55	%
Clock Skew *	$t_{sk(o)}$	One clock output relative to another at 1.5V			250	ps
Jitter, Period (peak-peak) *	$t_{j(\Delta P)}$	From rising edge to rising edge at 1.5V, $C_L = 30\text{pF}$			300	ps
Rise Time *	$t_{r\ min}$	Measured at 0.4V – 2.4V; $C_L = 10\text{pF}$	0.5			ns
	$t_{r\ max}$	Measured at 0.4V – 2.4V; $C_L = 30\text{pF}$			2.0	
Fall Time *	$t_{f\ min}$	Measured at 2.4V – 0.4V; $C_L = 10\text{pF}$	0.5			ns
	$t_{f\ max}$	Measured at 2.4V – 0.4V; $C_L = 30\text{pF}$			2.0	
<b>REF_0:1 Clock Outputs</b>						
Duty Cycle *	$d_t$	Ratio of high pulse width to one clock period, measured at 1.5V	45		55	%
Jitter, Period (peak-peak) *	$t_{j(\Delta P)}$	From rising edge to rising edge at 1.5V, $C_L = 20\text{pF}$			1000	ps
Rise Time *	$t_{r\ min}$	Measured at 0.4V – 2.4V; $C_L = 10\text{pF}$	1.0			ns
	$t_{r\ max}$	Measured at 0.4V – 2.4V; $C_L = 20\text{pF}$			4.0	
Fall Time *	$t_{f\ min}$	Measured at 2.4V – 0.4V; $C_L = 10\text{pF}$	1.0			ns
	$t_{f\ max}$	Measured at 2.4V – 0.4V; $C_L = 20\text{pF}$			4.0	
<b>CK48_0:1 Clock Outputs</b>						
Duty Cycle *	$d_t$	Ratio of high pulse width to one clock period, measured at 1.5V	45		55	%
Jitter, Period (peak-peak) *	$t_{j(\Delta P)}$	From rising edge to rising edge at 1.5V, $C_L = 20\text{pF}$			350	ps
Rise Time *	$t_{r\ min}$	Measured at 0.4V – 2.4V; $C_L = 10\text{pF}$	1.0			ns
	$t_{r\ max}$	Measured at 0.4V – 2.4V; $C_L = 20\text{pF}$			4.0	
Fall Time *	$t_{f\ min}$	Measured at 2.4V – 0.4V; $C_L = 10\text{pF}$	1.0			ns
	$t_{f\ max}$	Measured at 2.4V – 0.4V; $C_L = 20\text{pF}$			4.0	

September 2000

**Table 16: MCLK\_P, MCLK\_N, PCI\_0:9, CK66\_0:3 Clock Outputs**

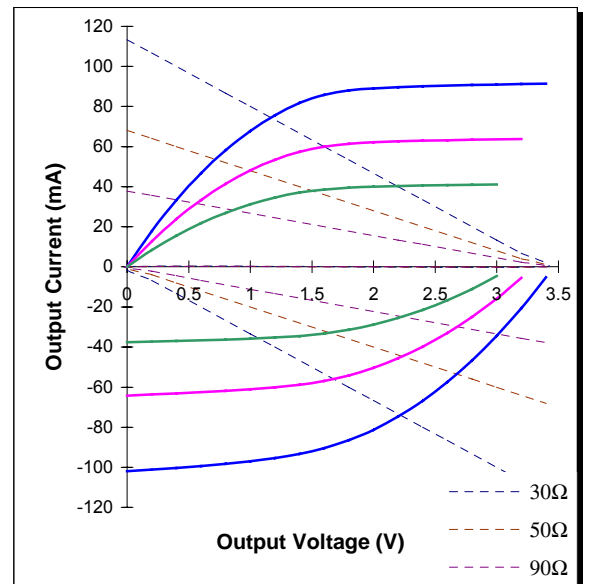
Voltage (V)	High Drive Current (mA)			Voltage (V)	Low Drive Current (mA)		
	MIN.	TYP.	MAX.		MIN.	TYP.	MAX.
0	0	0	0	0	-49	-83	-132
0.2	11	17	24	0.2	-48	-83	-131
0.4	21	32	45	0.4	-48	-82	-130
0.6	30	45	64	0.6	-47	-81	-129
0.8	37	56	79	0.8	-47	-80	-127
1.0	43	65	92	1.0	-46	-79	-126
1.2	47	73	103	1.2	-46	-78	-124
1.4	50	78	112	1.4	-45	-76	-121
1.6	53	82	117	1.6	-43	-74	-117
1.8	54	84	120	1.8	-41	-70	-112
2.0	55	85	121	2.0	-37	-65	-105
2.2	55	85	122	2.2	-33	-59	-97
2.4	55	86	123	2.4	-28	-52	-87
2.6	56	86	123	2.6	-22	-43	-74
2.8	56	86	124	2.8	-14	-32	-60
3.0	56	87	124	3.0	-6	-20	-45
3.2		87	124	3.2		-7	-27
3.4			125	3.4			-7



Data in this table represents nominal characterization data only

**Table 17: REF\_0:1, CK48\_0:1 Clock Outputs**

Voltage (V)	High Drive Current (mA)			Voltage (V)	Low Drive Current (mA)		
	MIN.	TYP.	MAX.		MIN.	TYP.	MAX.
0	0	0	0	0	-38	-64	-102
0.2	8	13	18	0.2	-37	-64	-101
0.4	15	24	33	0.4	-37	-63	-100
0.6	22	33	47	0.6	-37	-63	-99
0.8	27	41	58	0.8	-36	-62	-98
1.0	31	48	68	1.0	-36	-61	-97
1.2	35	53	76	1.2	-35	-60	-95
1.4	37	57	82	1.4	-34	-59	-93
1.6	39	60	86	1.6	-33	-57	-90
1.8	39	61	88	1.8	-31	-54	-87
2.0	40	62	89	2.0	-29	-50	-81
2.2	40	63	90	2.2	-25	-46	-75
2.4	41	63	90	2.4	-21	-40	-67
2.6	41	63	90	2.6	-17	-33	-57
2.8	41	63	91	2.8	-11	-25	-47
3.0	41	64	91	3.0	-5	-16	-34
3.2		64	91	3.2		-6	-21
3.4			91	3.4			-5



Data in this table represents nominal characterization data only

# FS6232-01

## Two-Way MP Motherboard Clock Generator IC



September 2000

### 7.0 Package Information

**Table 18: 56-pin SSOP (0.300") Package Dimensions**

	DIMENSIONS			
	INCHES		MILLIMETERS	
	MIN.	MAX.	MIN.	MAX.
A	0.095	0.110	2.41	2.79
A <sub>1</sub>	0.008	0.016	0.20	0.41
b	0.008	0.0135	0.20	0.34
c	0.005	0.010	0.13	0.25
D	0.720	0.730	18.29	18.54
E	0.395	0.420	10.03	10.67
E <sub>1</sub>	0.291	0.299	7.39	7.59
e	0.025 BSC		0.64 BSC	
h	0.015	0.025	0.38	0.64
L	0.020	0.040	0.51	1.01
θ	0°	8°	0°	8°

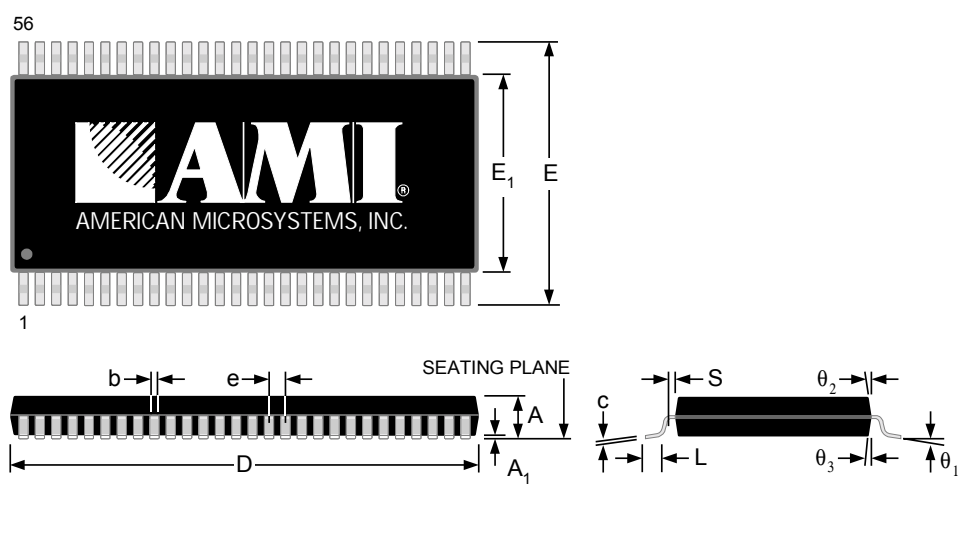
**Table 19: 56-pin SSOP (0.300") Package Characteristics**

PARAMETER	SYMBOL	CONDITIONS/DESCRIPTION	TYP.	UNITS
Thermal Impedance, Junction to Free-Air	$\Theta_{JA}$	Air flow = 0 m/s	73	°C/W
Lead Inductance, Self	L <sub>11</sub>	Longest trace + wire	6.41	nH
		Shortest trace + wire	2.49	
Lead Inductance, Mutual	L <sub>12</sub>	Longest trace + wire to first adjacent trace	3.65	nH
		Shortest trace + wire to first adjacent trace	1.35	
	L <sub>13</sub>	Longest trace + wire to next adjacent trace	2.50	
		Shortest trace + wire to next adjacent trace	0.90	
Lead Capacitance, Bulk	C <sub>11</sub>	Longest trace + wire to V <sub>SS</sub>	0.94	pF
		Shortest trace + wire to V <sub>SS</sub>	0.50	
Lead Capacitance, Mutual	C <sub>12</sub>	Longest trace + wire to first adjacent trace	0.48	pF
		Shortest trace + wire to first adjacent trace	0.20	
	C <sub>13</sub>	Longest trace + wire to next adjacent trace	0.07	
		Shortest trace + wire to next adjacent trace	0.02	

September 2000

**Table 20: 56-pin TSSOP (6.1mm) Package Dimensions**

	DIMENSIONS			
	INCHES		MILLIMETERS	
	MIN.	MAX.	MIN.	MAX.
A	-	0.047	-	1.20
A <sub>1</sub>	0.002	0.006	0.05	0.15
b	0.0067	0.011	0.17	0.27
c	0.0035	0.008	0.09	0.20
D	0.547	0.555	13.9	14.1
E	0.318 BSC		8.10 BSC	
E <sub>1</sub>	0.236	0.244	6.00	6.20
e	0.019 BSC		0.50 BSC	
L	0.018	0.030	0.45	0.75
S	0.008	-	0.20	-
θ <sub>1</sub>	0°	8°	0°	8°
θ <sub>2</sub>	12° REF		12° REF	
θ <sub>3</sub>	12° REF		12° REF	



**Table 21: 56-pin TSSOP (6.1mm) Package Characteristics**

PARAMETER	SYMBOL	CONDITIONS/DESCRIPTION	TYP.	UNITS
Thermal Impedance, Junction to Free-Air	θ <sub>JA</sub>	Air flow = 0 m/s	81	°C/W
Lead Inductance, Self	L <sub>11</sub>	Longest trace + wire	4.04	nH
		Shortest trace + wire	1.38	
Lead Inductance, Mutual	L <sub>12</sub>	Longest trace + wire to first adjacent trace	2.20	nH
		Shortest trace + wire to first adjacent trace	0.72	
	L <sub>13</sub>	Longest trace + wire to next adjacent trace	1.43	
		Shortest trace + wire to next adjacent trace	0.48	
Lead Capacitance, Bulk	C <sub>11</sub>	Longest trace + wire to V <sub>SS</sub>	0.63	pF
		Shortest trace + wire to V <sub>SS</sub>	0.21	
Lead Capacitance, Mutual	C <sub>12</sub>	Longest trace + wire to first adjacent trace	0.31	pF
		Shortest trace + wire to first adjacent trace	0.07	
	C <sub>13</sub>	Longest trace + wire to next adjacent trace	0.04	
		Shortest trace + wire to next adjacent trace	0.01	

# FS6232-01

## Two-Way MP Motherboard Clock Generator IC



September 2000

### 8.0 Ordering Information

Table 22: Device Ordering Codes

DEVICE NUMBER	ORDERING CODE	PACKAGE TYPE	OPERATING TEMPERATURE RANGE	SHIPPING CONFIGURATION
FS6232-01	11995-801	56-pin (0.300") SSOP	0° C to 70° C (Commercial)	Tape and Reel
	11995-811			Tubes
	11995-201	56-pin (6.1mm) TSSOP		Tape and Reel
	11995-211			Tubes

#### Copyright © 2000 American Microsystems, Inc.

Devices sold by AMI are covered by the warranty and patent indemnification provisions appearing in its Terms of Sale only. AMI makes no warranty, express, statutory implied or by description, regarding the information set forth herein or regarding the freedom of the described devices from patent infringement. AMI makes no warranty of merchantability or fitness for any purposes. AMI reserves the right to discontinue production and change specifications and prices at any time and without notice. AMI's products are intended for use in commercial applications. Applications requiring extended temperature range, unusual environmental requirements, or high reliability applications, such as military, medical life-support or life-sustaining equipment, are specifically not recommended without additional processing by AMI for such applications.

American Microsystems, Inc., 2300 Buckskin Rd., Pocatello, ID 83201, (208) 233-4690, FAX (208) 234-6796, WWW Address: <http://www.amis.com> E-mail: [tgp@amis.com](mailto:tgp@amis.com)