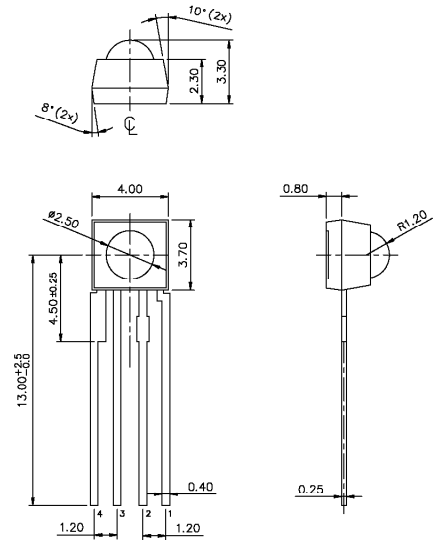


Applications:

- 1. Mouse
- 2. Knob

Outside Dimension : Unit (mm)



- Notes**
- 1) All dimensions are in millimeters.
 - 2) Tolerance is ± 0.25 mm unless otherwise note.
 - 3) Protuded resin under fange 0.5 mm Max.
 - 4) Lead spacing measured where the leads emerge from the package.

- Pin 1: NC
- Pin 2: Cathode
- Pin 3: NC
- Pin 4: Anode

Electro-optical Characteristics

($T_a=25^{\circ}\text{C}$, unless otherwise specified)

Parameter	Symbol	Condition	Min.	Typ.	Max.	Unit
Forward voltage	V_f	$I_f = 20\text{mA}$		1.25	1.45	V
		$I_f = 100\text{mA}$		1.50		
Reverse voltage	V_r	$I_r = 10 \mu\text{A}$	5			V
Radiated output power	P_u	$I_f = 20\text{mA}$	0.40			Mw
Spectrum width of half value	$\Delta \lambda$	$I_f = 20\text{mA}$		50		nm
Wavelength	λ_p	$I_f = 20\text{mA}$		940		nm

Copyright © Each Manufacturing Company.

All Datasheets cannot be modified without permission.

This datasheet has been download from :

www.AllDataSheet.com

100% Free DataSheet Search Site.

Free Download.

No Register.

Fast Search System.

www.AllDataSheet.com