



Micro Commercial Components
 21201 Itasca Street Chatsworth
 CA 91311
 Phone: (818) 701-4933
 Fax: (818) 701-4939

MBR20020 THRU MBR200100

Features

- Metal of siliconrectifier, majonty carrier conducton
- Guard ring for transient protection
- Low power loss high efficiency
- High surge capacity, High current capability

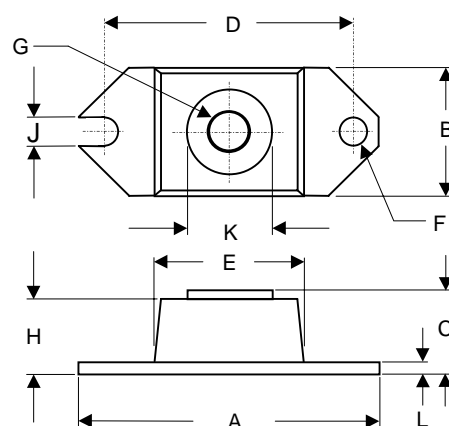
200 Amp Schottky Barrier Rectifier 20 to 100 Volts

Maximum Ratings

- Operating Temperature: -65°C to +150°C
- Storage Temperature: -65°C to +150°C

MCC Part Number	Maximum Recurrent Peak Reverse Voltage	Maximum RMS Voltage	Maximum DC Blocking Voltage
MBR20020	20V	14V	20V
MBR20030	30V	21V	30V
MBR20035	35V	24.5V	35V
MBR20040	40V	28V	40V
MBR20045	45V	31.5V	45V
MBR20060	60V	42V	60V
MBR20080	80V	56V	80V
MBR200100	100V	70V	100V

HALF PACK



Electrical Characteristics @ 25°C Unless Otherwise Specified

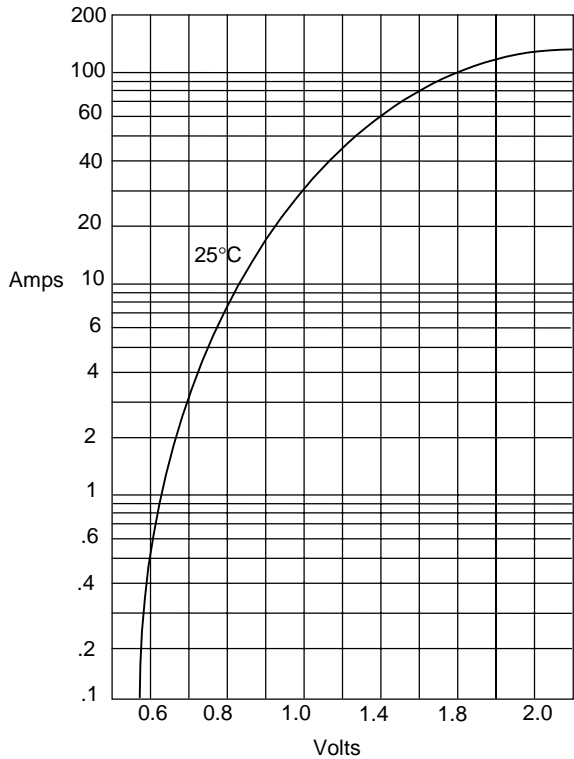
Average Forward Current	$I_{F(AV)}$	200 A	$T_L = 140^\circ\text{C}$
Peak Forward Surge Current	I_{FSM}	3000A	8.3ms, half sine
Maximum Instantaneous Forward Voltage	V_F		$I_{FM} = 200.0\text{A};$ $T_A = 25^\circ\text{C}$
MBR20020-20045		.63 V	
MBR20060		.75 V	
MBR20080-200100		.84 V	
Maximum DC Reverse Current At Rated DC Blocking Voltage	I_R	5mA	$T_A = 25^\circ\text{C}$
Typical Junction Capacitance	C_J	300pF	Measured at 1.0MHz, $V_R=4.0\text{V}$

DIM	DIMENSIONS				NOTE
	INCH ES		MM		
	MIN	MAX	MIN	MAX	
A	1.520	1.560	38.86	39.62	
B	.725	.775	18.42	19.69	
C	.605	.625	15.37	15.88	
D	1.182	1.192	30.02	30.28	
E	.745	.755	18.92	18.18	
F	.152	.160	3.86	4.06	∅
G	1/4 - 20		UNC - 2B		
H	.570	.580	14.49	14.73	
J	.15	.160	3.96	4.06	
K	.495	.505	12.57	12.83	∅
L	.120	.130	3.05	3.30	

*Pulse Test: Pulse Width 300µsec, Duty Cycle 1%

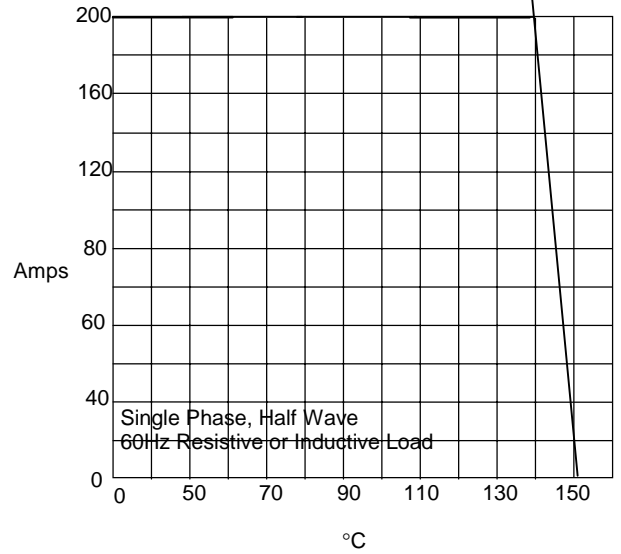
www.mccsemi.com

Figure 1
Typical Forward Characteristics



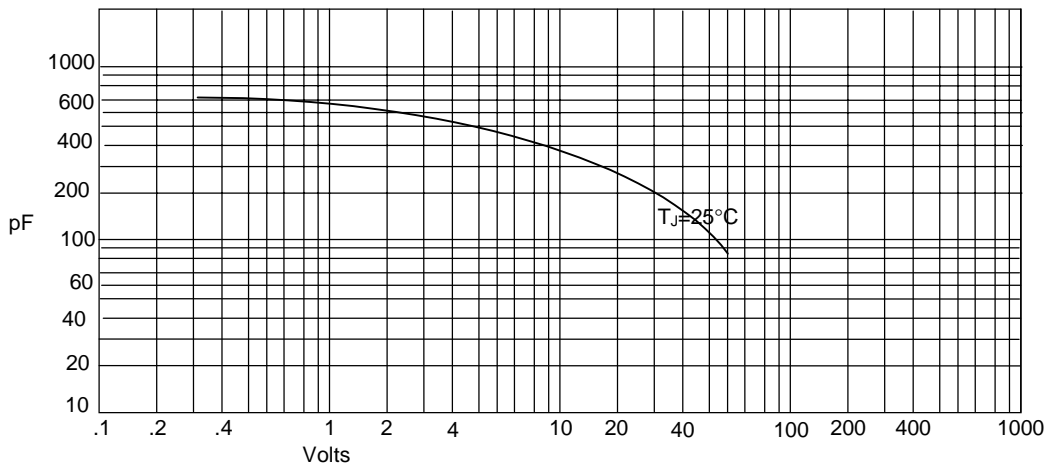
Instantaneous Forward Current - Amperes versus
Instantaneous Forward Voltage - Volts

Figure 2
Forward Derating Curve



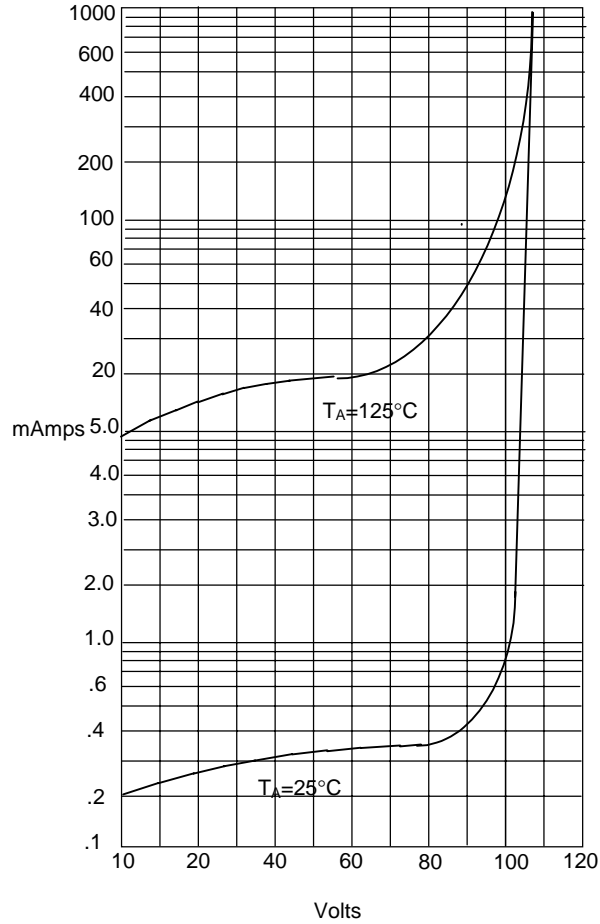
Average Forward Rectified Current - Amperes versus
Ambient Temperature - °C

Figure 3
Junction Capacitance

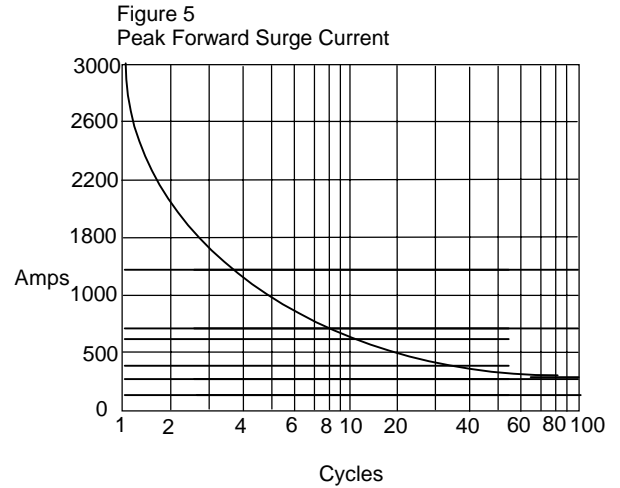


Junction Capacitance - pF versus
Reverse Voltage - Volts

Figure 4
Typical Reverse Characteristics



Instantaneous Reverse Leakage Current - MicroAmperes *versus*
Percent Of Rated Peak Reverse Voltage - Volts



Peak Forward Surge Current - Amperes *versus*
Number Of Cycles At 60Hz - Cycles