

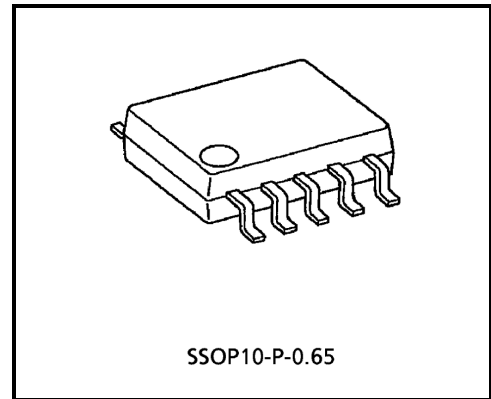
TA2018FN

DC / DC Converter For Electric Tuning (1.5V USE)

The TA2018FN is a DC / DC converter IC which is developed for biasing variable capacitance diodes of tuner system. It is especially suitable for supplying high voltage (about 14.3V) for digital tuning (FM / TV / AM) system at low power operation.

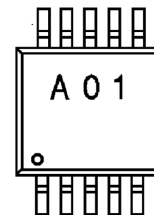
Features

- Few external parts.
- Excellent spurious radiation by oscillation of sine wave.
- Output voltage: $V_O = 14.3V$ (typ.)
- Excellent regulatory capability of output voltage against fluctuation of supply voltage, and of ambient temperature.
- Built-in constant current source, it is suitable for digital tuning system. (ICTL can be controlled by RCTL)
- Built-in power switch.
- Low supply current ($V_{CC} = 1.2V$, $T_a = 25^\circ C$, $I_O = 30\mu A$)
 $I_{CC} = 2.1mA$ (typ.)
- Operating supply voltage range ($T_a = 25^\circ C$)
 $V_{CC} (opr) = 0.9\sim 4V$

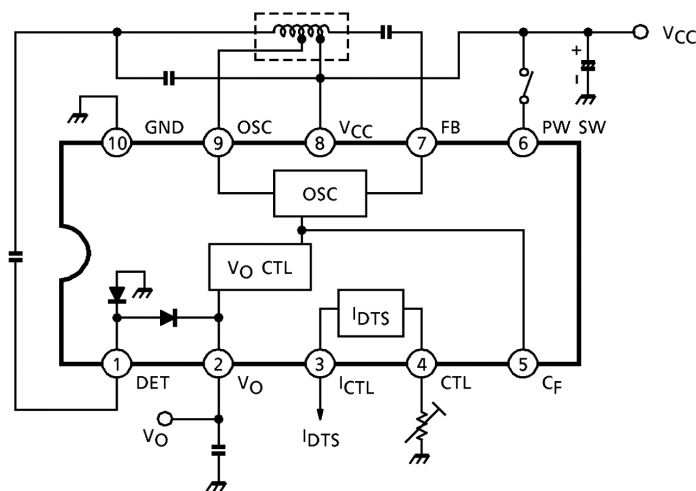


Weight: 0.04g (typ.)

Marking



Block Diagram



Terminal Explanation

Terminal Voltage: Typical Terminal Voltage with Test Circuit ($V_{CC} = 1.2V$, $T_a = 25^\circ C$)

Terminal		Function	Internal Circuit	Terminal Voltage (V)
No.	Name			
1	DET	<ul style="list-style-type: none"> • Boosted output (voltage double rectifier) 		—
2	V_O			14.3
5	C_F			0.4
3	I_{CTL}	<ul style="list-style-type: none"> • Constant current source V_O supplies this circuit with power source. (For digital tuning) 		—
4	CTL			—
6	PW SW	<ul style="list-style-type: none"> • Power on / off switch V_{CC}: Power on OPEN / GND: Power off 		—
7	FB	<ul style="list-style-type: none"> • Hartley type oscillator 		0.7
8	V_{CC}	$f_{osc} \doteq \frac{1}{2\pi\sqrt{L_3 \cdot C_1}}$		1.2
9	OSC	<ul style="list-style-type: none"> • Controlling oscillation current at the terminal of FB 		—
10	GND	—	—	0

Application Note

1. PW SW

It is necessary to connect an external pull-down resistor with the terminal PW SW (pin 6), in case that this IC is turned on due to external noise etc.

2. Designing of coil

This IC has the output voltage by means of boosting the oscillation voltage, derived from Hartley type oscillator circuit and of voltage-double rectifier with C3, D1 and D2.

(1) Designing of oscillation frequency

$$f_{osc} \doteq \frac{1}{2\pi\sqrt{L_3 \cdot C_2}}$$

(2) Coil turns can be designed as following:

$$V_{osc(p-p)} = 2(V_{CC(min)} - V_{CE1(sat)})$$

$$n = \frac{n_3}{n_2} \doteq \frac{V_O}{V_{osc(p-p)}}$$

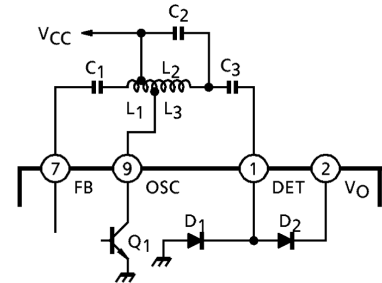


Fig.1 Oscillator and Voltage-Double

- (Note) $V_{CC(min)}$: Minimum of supply voltage designed by a equipment
 $V_{CE1(sat)}$: Saturation voltage of Q1
 n : Coil turns ratio (L2, L3)
 V_O : Output voltage ($V_O \doteq 14.3V$)

The turn of L1 is designed, so as to make the terminal of FB be about 200~300mV_{p-p} through C1. The turn of L1 should be small, and the capacitance of C1 and Q0 of coil should be large, for the oscillation start at turning power on.

(3) Allowance is advisable for coil design of n, Q0. However, spurious radiation can be reduced, in case that the output current and n of coil don't make large.

3. Pattern diagram

The Fig.2 shows the oscillation loop. This pattern diagram should be small, because spurious radiation due to the oscillation is reduced.

The Fig.3 shows the rectifier loop. This pattern diagram should be the small, because spurious radiation due to the switching rectifier is reduced. The two loops should be isolated from other DC lines.

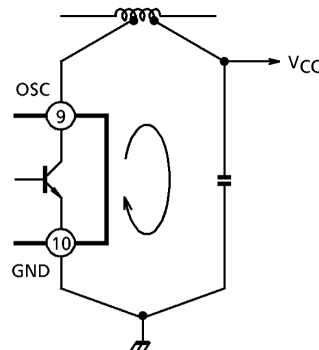


Fig.2 Oscillation Loop

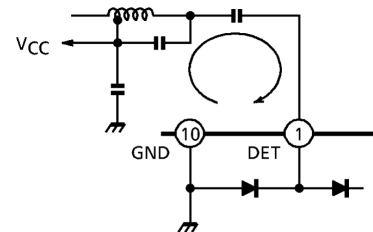


Fig.3 Rectifier Loop

4. Output current

Total output current (I_O and I_{CTL}) should not be smaller than $30\mu A$, because this IC start blocking oscillation etc. Note that this condition will change according to coil setting etc.

5. Terminal CF

Any external parts should not be connected with this terminal, because this IC doesn't operate normally.

6. I_{CTL}

I_{CTL} can be controlled by R_{CTL} resistor between pin 4 and GND, note that I_{CTL} should be set to $180\mu A$ or smaller (see Fig.4).

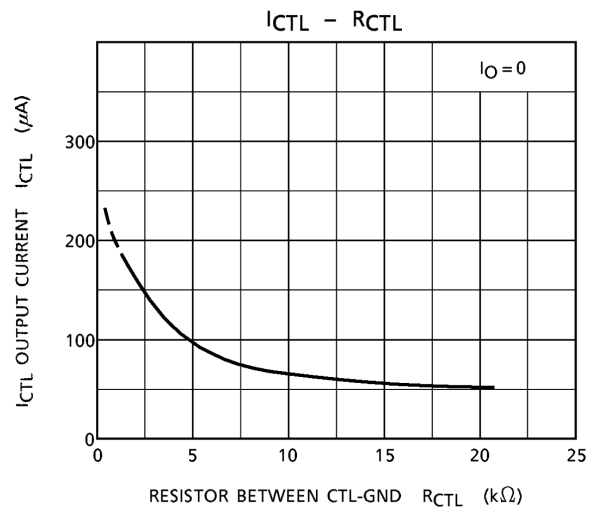


Fig.4 I_{CTL} - R_{CTL}

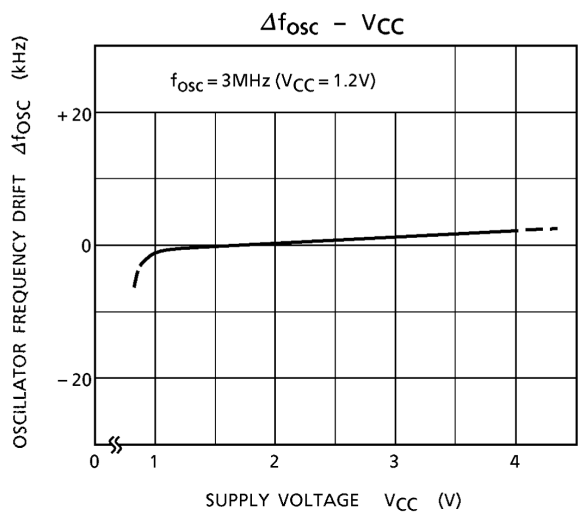
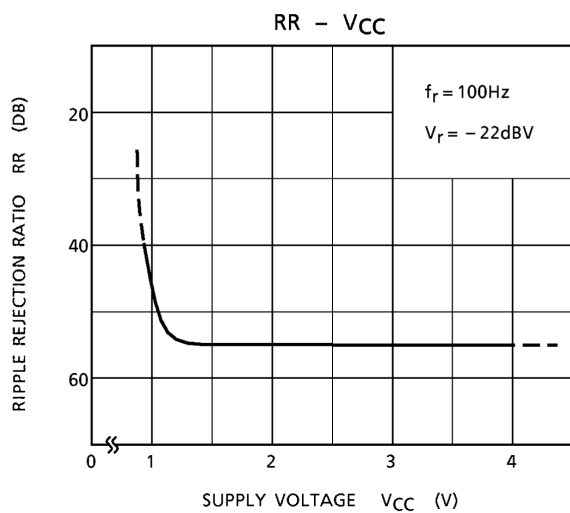
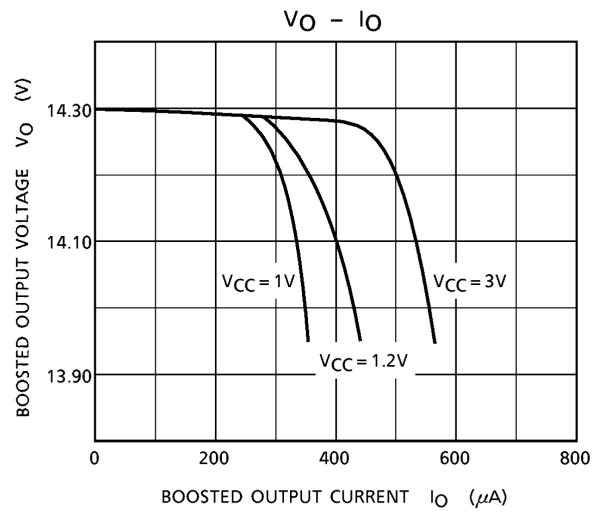
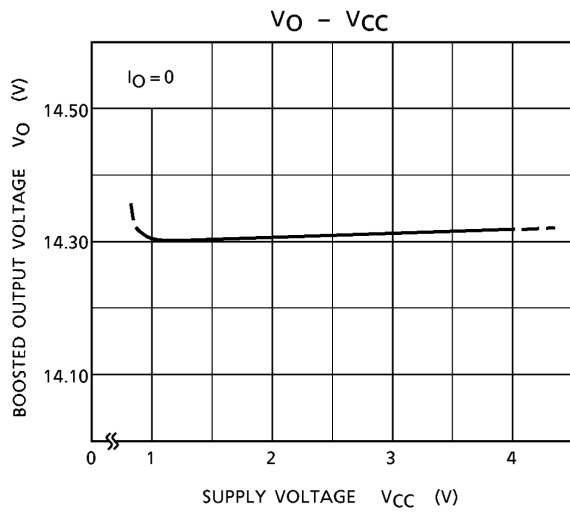
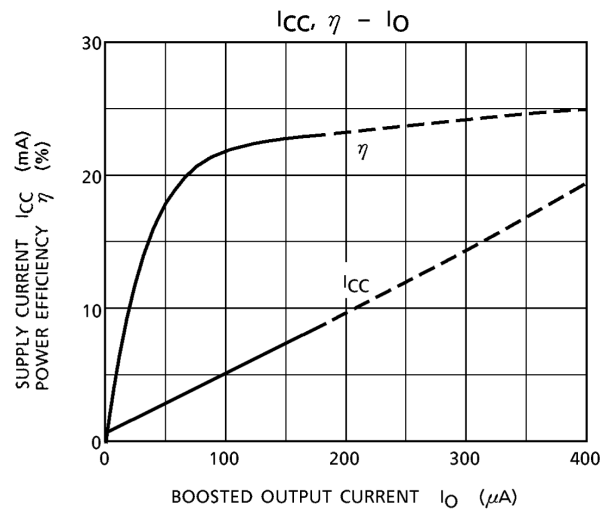
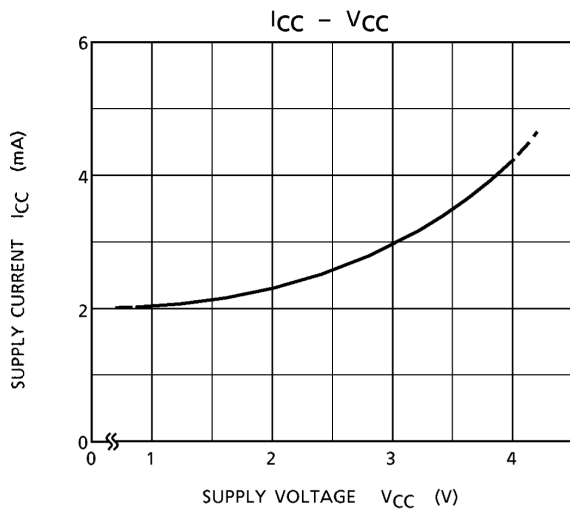
Maximum Ratings (Ta = 25°C)

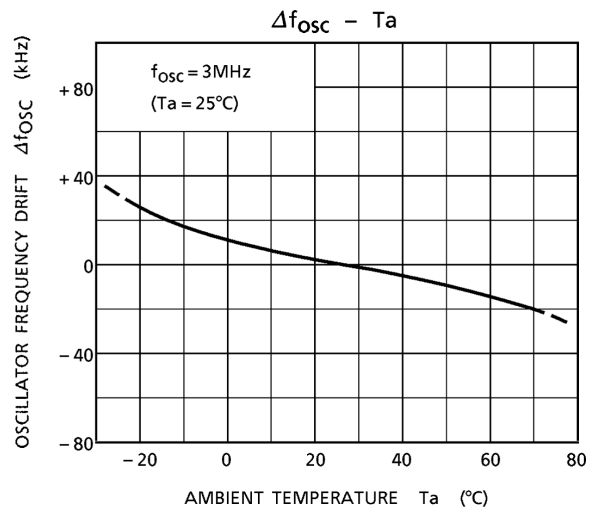
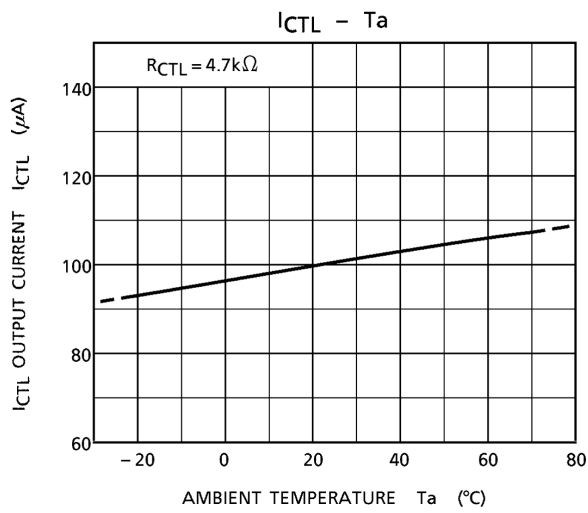
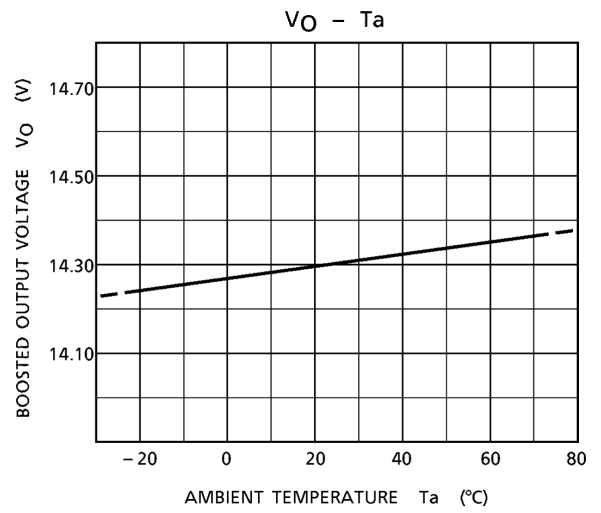
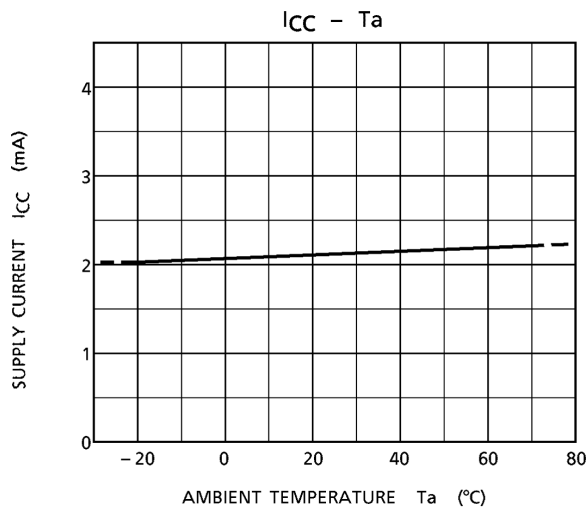
Characteristic	Symbol	Rating	Unit
Supply voltage	V_{CC}	4.5	V
Output voltage	V_O	18	
Constant current source circuit output current	I_{CTL}	5	mA
Power dissipation (Note)	P_D	300	mW
Operating temperature	T_{opr}	-25~75	°C
Storage temperature	T_{stg}	-55~150	

(Note) Derated above $T_a = 25^\circ C$ in the proportion of 2.4mW.

Characteristic Curves

Unless Otherwise Specified: $V_{CC} = 1.2V$, $I_O = 30\mu A$, $T_a = 25^\circ C$, $f_{osc} = 3MHz$

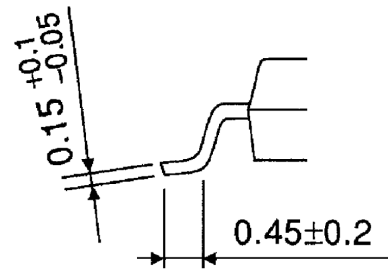
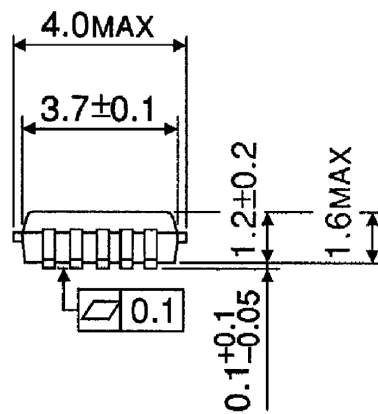
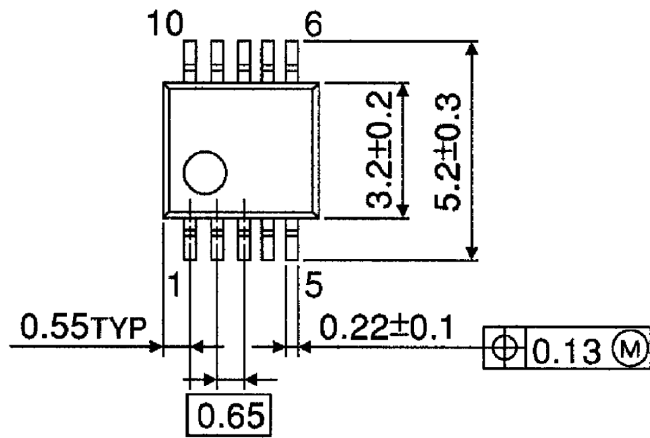




Package Dimensions

SSOP10-P-0.65

Unit : mm



Weight: 0.04g (typ.)

RESTRICTIONS ON PRODUCT USE

000707EBA

- TOSHIBA is continually working to improve the quality and reliability of its products. Nevertheless, semiconductor devices in general can malfunction or fail due to their inherent electrical sensitivity and vulnerability to physical stress. It is the responsibility of the buyer, when utilizing TOSHIBA products, to comply with the standards of safety in making a safe design for the entire system, and to avoid situations in which a malfunction or failure of such TOSHIBA products could cause loss of human life, bodily injury or damage to property.
In developing your designs, please ensure that TOSHIBA products are used within specified operating ranges as set forth in the most recent TOSHIBA products specifications. Also, please keep in mind the precautions and conditions set forth in the "Handling Guide for Semiconductor Devices," or "TOSHIBA Semiconductor Reliability Handbook" etc..
- The TOSHIBA products listed in this document are intended for usage in general electronics applications (computer, personal equipment, office equipment, measuring equipment, industrial robotics, domestic appliances, etc.). These TOSHIBA products are neither intended nor warranted for usage in equipment that requires extraordinarily high quality and/or reliability or a malfunction or failure of which may cause loss of human life or bodily injury ("Unintended Usage"). Unintended Usage include atomic energy control instruments, airplane or spaceship instruments, transportation instruments, traffic signal instruments, combustion control instruments, medical instruments, all types of safety devices, etc.. Unintended Usage of TOSHIBA products listed in this document shall be made at the customer's own risk.
- The products described in this document are subject to the foreign exchange and foreign trade laws.
- The information contained herein is presented only as a guide for the applications of our products. No responsibility is assumed by TOSHIBA CORPORATION for any infringements of intellectual property or other rights of the third parties which may result from its use. No license is granted by implication or otherwise under any intellectual property or other rights of TOSHIBA CORPORATION or others.
- The information contained herein is subject to change without notice.