

Capstan/Drum Servo (continued)

Type	Function	Package		Features	Reference Catalog
		Configuration	No. of pins		
BA860	Motor speed and phase control	DIP	16	Terminal with motor speed switching function; FG amplifier extremely effective against noise; ideal for VHD.	—
BU2780S Series	VTR digital servo	DIPS	30	Incorporates all the functions needed for VCR's servo system in a 30-pin package; cost-effective servo chip incorporating all necessary input amps.	—
BU2790S Series	VTR digital servo	DIPS	42	Versatile servo controller incorporating VISS, VASS linear time counter, and head SW logic in addition to the features of the BU2780; applicable to high-end equipment.	—

Special Playback

BAL6309	Spurious V-pulse generator	LF	16	Capable of generating correction signals against defective V-pulse during special reproduction and processing defective H-phase correction signal in a single chip.	No.3121	
BA855A/BA855AF	Fine still by noise transmission	DIP/MF	20	Sending off noises out of film for still. Consisting of spurious V-pulse generator and noise sending circuit.	No.3121	
BA856	Fine still by noise transmission	DIP	16	The feedback-type fine still IC that detects drop-out signal corresponding to the noise bar.	—	
BA857/BA857F	Fine slow	DIP/MF	18	A built-in protective circuit is provided should the CTL signal not be reproduced. Monostable multivibrators are used for time settings, allowing external settings.	No.3121	
BA866F	Fine slow	MF	18		A version of the BA857/BA857F7 with modified fine-slow startup timing	—
BA867	Fine slow	DIP	18		A version of the BA857/BA857F with modified frame feed interval	No.3121
BA862	Fine slow	DIP	18	Outputs the motor rotation direction, full torque, and current control signals necessary for noiseless slow and still. Also outputs a simple artificial V signal.	No.3121	
BA875/BA875F	Fine slow	DIP/MF	28	Outputs capstan motor control according to the time set by CTL signal during special playback such as slow, still and frame.	—	
BA877LS	Fine slow	LS	24	Applicable to three heads. Has a motor operating period output to facilitate use with a DC forward/reverse motor.	No.3121	
BA8420	Fine slow	DIP	22	Applicable to three heads. Has output terminals for an artificial V signal, rotary switching, head amplifier switching, and correction of horizontal jitter.	No.3121	
BU2767S	Fine slow	DIPS	32	Generates fine slow and still signals for VTRs. Compatible with DA3/DA4 head VTRs.	—	
BA7036LS	Noiseless search	LS	24	Noiseless playback signal by changing video playback FM signal by detection output level.	—	

Sensor Amplifiers

BA873	Reel sensor	DIP	16	Rotating direction of reel motor can be detected by the input of hall device component.	No.2700
BA6305/BA6305F	FG/CTL amplifier	SIP/MF	8	Capable of high-speed response for disturbance free picturing. The CTL signal can be regenerated as a short waveform during recording.	No.2962
BA6405	FG/CTL amplifier	DIP	14	High open gain FG/CTL amplifier with built-in Schmitt amplifier and comparator.	No.3121
BA6325F	Sensor for 8mm-VTRs	MF	24	Wide supply voltage range (4.25~13V). Low current consumption (2.5mA, Typ.). Built-in dew sensor amplifier, reel motor rotation detector and battery voltage checker.	—
BA6360	Tape end sensor	DIP	14	Capable of detecting the head and end of the VTR tape. Built-in comparator for dew sensor.	—
BA7750AL	Cue detection	LF	18	Recording amplifier that permits large current drive; mode switching and detection signal output are performed with one input/output terminal to permit easy interfacing with microcomputer.	No.3121

Others

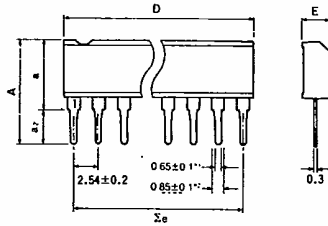
BA6320L	Power hold	LF	16	Capable of power on/off control that is interacted with the state of the system control microcomputer.	—
BAL872	Reel motor controller	LF	16	Outputs reference voltage for voltage control and current control with an accuracy of $\pm 5\%$ according to the output from a microcomputer or a mechanical control unit by two D/A converters.	No.3121

• Audio Signal Processing

BA5102A/BA5102AF/BA5102AL	Switchless REC/PB amplifier	DIP/MF/LF	18	Includes all required VTR audio signal REC/PB amplifiers functions. Low pop noise accompanying switching.	No.3121
BA5114LS	Switchless REC/PB amplifier	LS	24	Includes all audio amplifiers for the VTR sound signal system. Applicable to noise reduction systems. Included in a shrink-type package.	No.3121
BA5115/BA5115L	Switchless REC/PB amplifier	DIP/LF	18	Includes all audio amplifiers for the VTR sound signal system. Few external components.	No.3121

Dimensions (Unless otherwise specified, dimensions are shown in Typ. values.)

SIP

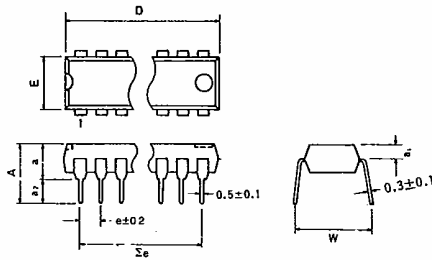


• SIP Dimensions (Unit: mm)

Package	A	a	a ₂	D	Σe	E
SIP 5	9.7	6.2	3.5	12.0	10.16	2.4
SIP 7	9.7	6.2	3.5	17.0	15.24	2.8
SIP 8	10.5	7.0	3.5	19.5	17.78	2.8
SIP 9	10.5	7.0	3.5	22.0	20.32	2.8
SIP 10	10.5	7.0	3.5	25.2	22.86	2.8

*1 SIP 10pin: 0.6 *2 SIP 10pin: 0.8

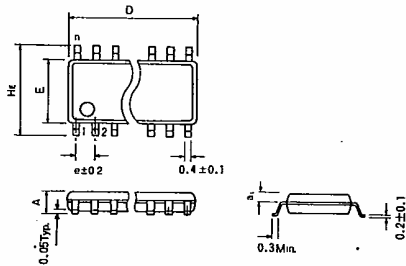
DIP/DIPS



• DIP Dimensions (Unit: mm)

Package	A	a	a ₁	a ₂	D	e	Σe	E	W
DIP 8	6.8	3.6	1.1	3.2	9.3	2.54	7.62	6.5	8.8
DIP 14	6.94	3.65	1.65	3.29	19.4	2.54	15.24	6.5	8.8
DIP 16	6.94	3.65	1.65	3.29	19.4	2.54	17.78	6.5	8.8
DIP 18	6.94	3.65	1.65	3.29	22.9	2.54	20.32	6.5	8.8
DIP 20	7.09	3.65	1.65	3.44	26.3	2.54	22.86	6.5	8.8
DIP 22	7.09	3.65	1.65	3.44	26.3	2.54	25.40	6.5	8.8
DIP 24	7.51	4.22	1.8	3.29	32.0	2.54	27.94	13.8	16.5
DIP 28	7.51	4.22	1.8	3.29	37.1	2.54	33.02	13.8	16.5
DIP 40	7.7	4.5	1.8	3.2	52.3	2.54	48.26	13.8	16.5
DIPS 18	7.35	3.65	1.65	3.7	19.4	1.778	14.224	6.5	8.8
DIPS 22	7.35	3.65	1.65	3.7	19.4	1.778	17.78	6.5	8.8
DIPS 24	7.4	4.0	1.7	3.4	22.8	1.778	19.558	6.5	8.8
DIPS 30	7.9	4.7	1.7	3.2	28.0	1.778	24.892	8.4	11.4
DIPS 32	7.9	4.7	1.7	3.2	28.0	1.778	26.67	8.4	11.4
DIPS 42	7.7	4.5	1.8	3.2	37.1	1.778	35.56	13.8	16.5

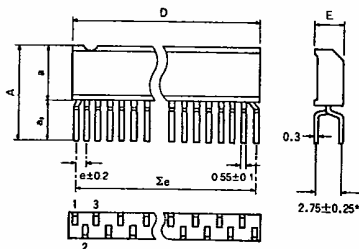
MF/MFS/MFP



• MF Dimensions (Unit: mm)

Package	A	a ₁	D	H _ε	e	E
MF 8	1.5	0.65	5.0	6.2	1.27	4.4
MF 14	1.5	0.65	8.7	6.2	1.27	4.4
MF 16	1.5	0.65	10.0	6.2	1.27	4.4
MF 18	1.8	0.8	11.2	7.8	1.27	5.4
MF 20	1.8	0.8	12.5	7.8	1.27	5.4
MF 22	1.8	0.8	13.7	7.8	1.27	5.4
MF 24	1.8	0.8	15.0	7.8	1.27	5.4
MF 28	2.2	1.0	18.5	9.9	1.27	7.5
MFS 16	1.5	0.65	6.6	6.2	0.8	4.4
MFS 20	1.8	0.8	8.7	7.8	0.8	5.4
MFS 24	1.8	0.8	10.0	7.8	0.8	5.4
MFP 24	1.9	0.8	13.7	7.8	0.8	5.4
MFP 28	2.2	0.95	18.5	9.9	0.8	7.5

LF/LFS

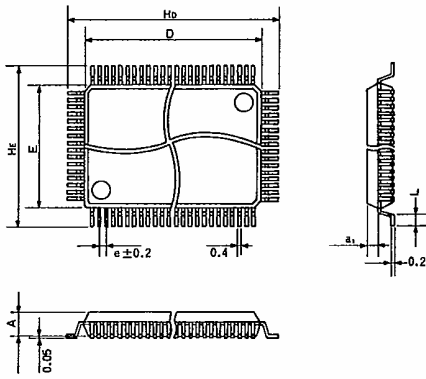


• LF Dimensions (Unit: mm)

Package	A	a	a ₂	D	Σe	e	E
LF 9	9.8	5.0	4.8	12.0	10.16	1.27	2.4
LF 12	9.8	5.0	4.8	17.0	13.97	1.27	2.8
LF 16	9.9	5.8	4.1	19.5	19.05	1.27	2.8
LF 18	9.9	5.8	4.1	22.0	21.59	1.27	2.8
LFS 24	10.0	5.8	4.2	22.0	20.447	0.889	2.8

*LFS 24: 2.54±0.25

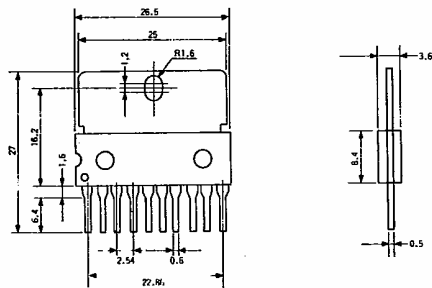
QFP/QFPS



• QFP Dimensions (Unit: mm)

Package	A	a_1	D	e	E	H_E	H_D	L
QFP 32	1.45	0.65	7.0	0.8	7.0	9.0	9.0	0.4
QFP 44	2.15	1.0	10.0	0.8	10.0	14.0	14.0	1.2
QFP 64	2.15	1.0	20.0	1.0	14.0	18.0	24.0	1.2
QFP 80	2.7	1.275	20.0	0.8	14.0	18.0	24.0	1.2
QFPS 56	2.15	1.0	10.0	0.65	10.0	12.4	12.4	0.5
QFPS 80	2.7	1.275	14.0	0.65	14.0	16.4	16.4	0.5
QFPS 100	2.7	1.275	20.0	0.65	14.0	18.0	24.0	1.2

SIP-P 10 pin



SIP-P 12 pin

