

DIODE(THREE PHASES BRIDGE TYPE)

DF20BA40/80

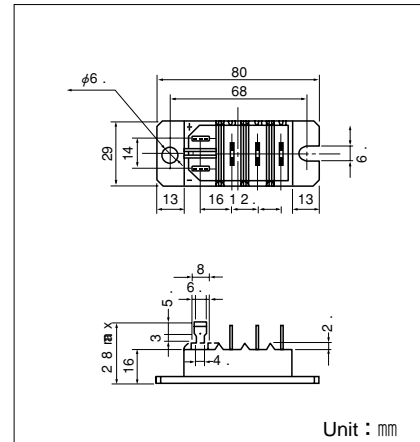
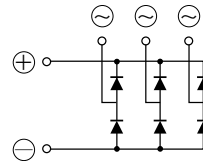
UL;E76102(M)

Power Diode Module **DF20BA** is designed for three phase full wave rectification, which has six diodes connected in a three phase bridge configuration. The mounting base of the module is electrically isolated from semiconductor elements for simple heatsink construction output DC current is 20Amp ($T_c=123^{\circ}\text{C}$) Repetitive peak reverse voltage is up to 800V.

- $T_{j\text{Max}}=150^{\circ}\text{C}$
- Isolated Mounting Base
- High reliability by unique glass passivation
- Easy Assemble by the #250 terminal Tab

(Applications)

AC. DC Moter Drive/AVR/Switching
—for three phase rectification



Unit : mm

Maximum Ratings

($T_j = 25^{\circ}\text{C}$ Cu n l)

| Symbol | Item | Ratings | | Unit |
|-----------|-------------------------------------|----------|----------|------|
| | | DF20BA40 | DF20BA80 | |
| V_{RRM} | Repetitive Peak Reverse Voltage | 400 | 800 | V |
| V_{RSM} | Non-Repetitive Peak Reverse Voltage | 480 | 960 | V |

| Symbol | Item | Conditions | Ratings | Unit | |
|-----------|--------------------------------------|---|-----------------------------------|--------------------|-----------------|
| I_D | Output current (D.C.) | Three phase. full wave. $T_c=123^{\circ}\text{C}$ | 20 | A | |
| I_{FSM} | Surge Forward Current | 1 cycle, 50/60Hz, peak value, non-repetitive | 320/350 | A | |
| T_j | Junction Temperature | | -40 t $+150$ | $^{\circ}\text{C}$ | |
| T_{stg} | Storage Temperature | | -40 t $+125$ | $^{\circ}\text{C}$ | |
| V_{ISO} | Isolation Breakdown Voltage (R.M.S.) | Main Terminal to case 1minute | 2500 | V | |
| | Mounting Torque | Mounting (M6) | Recommended Value 2.5-3.9 (25-40) | 4.7 (48) | N·m (kgf·cm) |
| | | Terminal | Tab Terminal # 250 | — | |
| | Mass | Typical Value | 90 | g | |

Electrical Characteristics

| Symbol | Item | Conditions | Ratings | Unit |
|---------------|---------------------------------------|--|---------|-----------------------------|
| I_{RRM} | Repetitive Peak Reverse Current, max. | $T_j=150^{\circ}\text{C}$ at V_{RRM} | 1.5 | mA |
| V_{FM} | Forward Voltage Drop, max. | $I_{FM}=20\text{A}$, $T_j=25^{\circ}\text{C}$ Inst. measurement | 1.1 | V |
| $R_{th(j-c)}$ | Thermal Impedance, max. | Junction to case | 0.6 | $^{\circ}\text{C}/\text{W}$ |

