



# Intel® i960® RX I/O Processor at 3.3 Volts

## Datasheet

---

- 33 MHz, 3.3 Volt Version (80960RP 33/3.3)
- 66 MHz, 3.3 Volt Version (80960RD 66/3.3) - Clock Doubled 80960JF Core
- Complies with *PCI Local Bus Specification*, Revision 2.1
- 5 Volt PCI Signalling Environment

## Product Features

- High Performance 80960JF Core
  - Sustained One Instruction/Clock Execution
  - 4 Kbyte, 2-Way Set-Associative Instruction Cache
  - 2 Kbyte Direct-Mapped Data Cache
  - Sixteen 32-Bit Global Registers
  - Sixteen 32-Bit Local Registers
  - Programmable Bus Widths: 8-, 16-, 32-Bit
  - 1 Kbyte Internal Data RAM
  - Local Register Cache (Eight Available Stack Frames)
  - Two 32-Bit On-Chip Timer Units
- PCI-to-PCI Bridge Unit
  - Primary and Secondary PCI Interfaces
  - Two 64-Byte Posting Buffers
  - Delayed and Posted Transaction Support
  - Forwards Memory, I/O, Configuration Commands from PCI Bus to PCI Bus
- Two Address Translation Units
  - Connects Local Bus to PCI Buses
  - I/O Address Translation Support
  - Direct Outbound Addressing Support
- Messaging Unit
  - Four Message Registers
  - Two Doorbell Registers
  - Four Circular Queues
  - 1004 Index Registers
- Memory Controller
  - 256 Mbytes of 32- or 36-Bit DRAM
  - Interleaved or Non-Interleaved DRAM
  - Fast Page-Mode DRAM Support
  - Extended Data Out and Burst
  - Extended Data Out DRAM Support
  - Two Independent Banks for SRAM / ROM / Flash (16 Mb/Bank; 8- or 32-Bit)
- DMA Controller
  - Three Independent Channels
  - PCI Memory Controller Interface
  - 32-Bit Local Bus Addressing
  - 64-Bit PCI Bus Addressing
  - Independent Interface to Primary and Secondary PCI Buses
  - 132 Mbyte/sec Burst Transfers to PCI and Local Buses
  - Direct Addressing to and from PCI Buses
  - Unaligned Transfers Supported in Hardware
  - Two Channels Dedicated to Primary PCI Bus
  - One Channel Dedicated to Secondary PCI Bus
- I/O APIC Bus Interface Unit
  - Multiprocessor Interrupt Management for Intel Architecture CPUs (Pentium® and Pentium® Pro Processors)
  - Dynamic Interrupt Distribution
  - Multiple I/O Subsystem Support
- I<sup>2</sup>C Bus Interface Unit
  - Serial Bus
  - Master/Slave Capabilities
  - System Management Functions
- Secondary PCI Arbitration Unit
  - Supports Six Secondary PCI Devices
  - Multi-priority Arbitration Algorithm
  - External Arbitration Support Mode
- Private PCI Device Support
- SuperBGA\* Package
  - 352 Ball-Grid Array (HL-PBGA)



Information in this document is provided in connection with Intel® products. No license, express or implied, by estoppel or otherwise, to any intellectual property rights is granted by this document. Except as provided in Intel's Terms and Conditions of Sale for such products, Intel assumes no liability whatsoever, and Intel disclaims any express or implied warranty, relating to sale and/or use of Intel products including liability or warranties relating to fitness for a particular purpose, merchantability, or infringement of any patent, copyright or other intellectual property right. Intel products are not intended for use in medical, life saving, or life sustaining applications.

Intel may make changes to specifications and product descriptions at any time, without notice.

Designers must not rely on the absence or characteristics of any features or instructions marked "reserved" or "undefined." Intel reserves these for future definition and shall have no responsibility whatsoever for conflicts or incompatibilities arising from future changes to them.

The Intel® 80960RX may contain design defects or errors known as errata which may cause the product to deviate from published specifications. Current characterized errata are available on request.

Contact your local Intel sales office or your distributor to obtain the latest specifications and before placing your product order.

Copies of documents which have an ordering number and are referenced in this document, or other Intel literature may be obtained by calling 1-800-548-4725 or by visiting Intel's website at <http://www.intel.com>.

Copyright © Intel Corporation, 2001

AlertVIEW, i960, AnyPoint, AppChoice, BoardWatch, BunnyPeople, CablePort, Celeron, Chips, Commerce Cart, CT Connect, CT Media, Dialogic, DM3, EtherExpress, ETOX, FlashFile, GatherRound, i386, i486, iCat, iCOMP, Insight960, InstantIP, Intel, Intel logo, Intel386, Intel486, Intel740, IntelDX2, IntelDX4, IntelSX2, Intel ChatPad, Intel Create&Share, Intel Dot.Station, Intel GigaBlade, Intel InBusiness, Intel Inside, Intel Inside logo, Intel NetBurst, Intel NetStructure, Intel Play, Intel Play logo, Intel Pocket Concert, Intel SingleDriver, Intel SpeedStep, Intel StrataFlash, Intel TeamStation, Intel WebOutfitter, Intel Xeon, Intel XScale, Itanium, JobAnalyst, LANDesk, LanRover, MCS, MMX, MMX logo, NetPort, NetportExpress, Optimizer logo, OverDrive, Paragon, PC Dads, PC Parents, Pentium, Pentium II Xeon, Pentium III Xeon, Performance at Your Command, ProShare, RemoteExpress, Screamlane, Shiva, SmartDie, Solutions960, Sound Mark, StorageExpress, The Computer Inside, The Journey Inside, This Way In, TokenExpress, Trillium, Vivonic, and VTune are trademarks or registered trademarks of Intel Corporation or its subsidiaries in the United States and other countries.

\*Other names and brands may be claimed as the property of others.

# Contents

<b>1.0</b>	<b>About This Document</b> .....	7
1.1	Intel® Solutions960® Program .....	7
1.2	Terminology .....	7
1.3	Additional Information Sources .....	8
<b>2.0</b>	<b>Functional Overview</b> .....	9
2.1	Key Functional Units .....	10
2.1.1	PCI-to-PCI Bridge Unit .....	10
2.1.2	Private PCI Device Support .....	10
2.1.3	DMA Controller .....	10
2.1.4	Address Translation Unit .....	10
2.1.5	Messaging Unit .....	10
2.1.6	Memory Controller .....	11
2.1.7	I <sup>2</sup> C Bus Interface Unit .....	11
	2.1.7.1 I/O APIC Bus Interface Unit .....	11
	2.1.7.2 Secondary PCI Arbitration Unit .....	11
2.2	Intel® i960® Core Features (Intel® 80960JF) .....	12
2.2.1	Burst Bus .....	13
2.2.2	Timer Unit .....	13
2.2.3	Priority Interrupt Controller .....	13
2.2.4	Faults and Debugging .....	14
2.2.5	On-Chip Cache and Data RAM .....	14
2.2.6	Local Register Cache .....	14
2.2.7	Test Features .....	14
2.2.8	Memory-Mapped Control Registers .....	15
2.2.9	Instructions, Data Types and Memory Addressing Modes .....	15
<b>3.0</b>	<b>Package Information</b> .....	17
3.1	Package Introduction .....	17
3.1.1	Functional Signal Definitions .....	17
3.1.2	352-Lead HL-PBGA Package .....	30
3.2	Package Thermal Specifications .....	40
3.2.1	Thermal Specifications .....	40
	3.2.1.1 Ambient Temperature .....	40
	3.2.1.2 Case Temperature .....	40
	3.2.1.3 Thermal Resistance .....	41
3.2.2	Thermal Analysis .....	42
3.3	Sources for Heatsinks and Accessories .....	43
<b>4.0</b>	<b>Electrical Specifications</b> .....	44
4.1	Absolute Maximum Ratings .....	44
4.2	V <sub>CC5</sub> Pin Requirements (V <sub>DIF</sub> ) .....	45
4.3	Targeted DC Specifications .....	46
4.4	Targeted AC Specifications .....	48
4.4.1	Relative Output Timings .....	50
4.4.2	Memory Controller Relative Output Timings .....	50
4.4.3	Boundary Scan Test Signal Timings .....	52



4.4.4	APIC Bus Interface Signal Timings.....	53
4.4.5	I <sup>2</sup> C Interface Signal Timings .....	54
4.5	AC Test Conditions.....	55
4.6	AC Timing Waveforms.....	55
4.7	Memory Controller Output Timing Waveforms .....	59
<b>5.0</b>	<b>BUS FUNCTIONAL WAVEFORMS.....</b>	<b>66</b>
<b>6.0</b>	<b>DEVICE IDENTIFICATION ON RESET .....</b>	<b>75</b>

## Figures

1	Product Name Functional Block Diagram.....	9
2	80960JF Core Block Diagram.....	12
3	352L HL-PBGA Package Diagram (Top and Side View).....	30
4	352L HL-PBGA Package Diagram (Bottom View).....	31
5	Thermocouple Attachment - No Heat Sink .....	40
6	Thermocouple Attachment - With Heat Sink.....	41
7	VCC5 Current-Limiting Resistor .....	45
8	AC Test Load.....	55
9	S_CLK, TCLK Waveform.....	55
10	T <sub>OV</sub> Output Delay Waveform .....	55
11	T <sub>OF</sub> Output Float Waveform .....	56
12	T <sub>IS</sub> and T <sub>IH</sub> Input Setup and Hold Waveform.....	56
13	T <sub>LXL</sub> and T <sub>LXA</sub> Relative Timings Waveform .....	57
14	DT/R# and DEN# Timings Waveform.....	57
15	I <sup>2</sup> C Interface Signal Timings .....	58
16	Fast Page-Mode Read Access, Non-Interleaved, 2,1,1,1 Wait State, 32-Bit 80960 Local Bus..	59
17	Fast Page-Mode Write Access, Non-Interleaved, 2,1,1,1 Wait States, 32-Bit 80960 Local Bus	60
18	FPM DRAM System Read Access, Interleaved, 2,0,0,0 Wait States .....	61
19	FPM DRAM System Write Access, Interleaved, 1,0,0,0 Wait States .....	62
20	EDO DRAM, Read Cycle.....	63
21	EDO DRAM, Write Cycle .....	63
22	BEDO DRAM, Read Cycle .....	64
23	BEDO DRAM, Write Cycle.....	64
24	32-Bit Bus, SRAM Read Accesses with 0 Wait States .....	65
25	32-Bit Bus, SRAM Write Accesses with 0 Wait States .....	65
26	Non-Burst Read and Write Transactions without Wait States, 32-Bit 80960 Local Bus .....	66
27	Burst Read and Write Transactions without Wait States, 32-Bit 80960 Local Bus .....	67
28	Burst Write Transactions with 2,1,1,1 Wait States, 32-Bit 80960 Local Bus .....	68
29	Burst Read and Write Transactions without Wait States, 8-Bit 80960 Local Bus.....	69
30	Burst Read and Write Transactions with 1, 0 Wait States and Extra Tr State on Read, 16-Bit 80960 Local Bus.....	70
31	Bus Transactions Generated by Double Word Read Bus Request, Misaligned One Byte From Quad Word Boundary, 32-Bit 80960 Local Bus .....	71
32	HOLD/HOLDA Waveform For Bus Arbitration .....	72
33	80960 Core Cold Reset Waveform.....	73
34	80960 Local Bus Warm Reset Waveform.....	74

## Tables

1	Related Documentation .....	8
2	80960RX Instruction Set.....	16
3	Signal Type Definition.....	17
4	Signal Descriptions.....	18
5	Power Requirement, Processor Control and Test Signal Descriptions .....	22
6	Interrupt Unit Signal Descriptions .....	23
7	PCI Signal Descriptions.....	24
8	Memory Controller Signal Descriptions .....	27
10	Clock Signal.....	29
11	ICE Signal Descriptions.....	29
9	DMA, APIC, I <sup>2</sup> C Units Signal Descriptions .....	29
12	352-Lead HL-PBGA Package — Signal Name Order .....	32
13	352-Lead HL-PBGA Pinout — Ballpad Number Order .....	36
14	352-Lead HL-PBGA Package Thermal Characteristics.....	42
15	Heat Sink Vendors and Contacts .....	43
16	Operating Conditions.....	44
17	V <sub>DIFF</sub> Specification for Dual Power Supply Requirements (3.3 V, 5 V) .....	45
18	DC Characteristics.....	46
19	I <sub>CC</sub> Characteristics.....	47
20	Input Clock Timings .....	48
21	Synchronous Output Timings .....	48
22	Synchronous Input Timings .....	49
23	Relative Output Timings .....	50
24	Fast Page Mode Non-interleaved DRAM Output Timings.....	50
25	Fast Page Mode Interleaved DRAM Output Timings .....	50
26	EDO DRAM Output Timings.....	51
27	BEDO DRAM Output Timings .....	51
28	SRAM/ROM Output Timings .....	52
29	Boundary Scan Test Signal Timings .....	52
30	APIC Bus Interface Signal Timings .....	53
31	I <sup>2</sup> C Interface Signal Timings .....	54
32	Processor Device ID Register - PDIDR .....	75

## 1.0 About This Document

---

This is the data sheet for the low-power (3.3 V) versions of the Intel® i960® Rx I/O Processor family (80960RX), including:

- Intel® 80960RD 66/3.3 (80960RD)
- Intel® 80960RP 33/3.3 (80960RP)

Throughout this document, these family members are referred to as the 80960RX when the information is common to both. For product-specific information, such as electrical characteristics, the family member names are used.

This does not contain specifications for the 5 Volt version (80960RP 33/5.0). For specifications on that product, refer to the *Intel® i960® RP I/O Processor Data Sheet (272737)*.

This data sheet contains a functional overview, mechanical data (package signal locations and simulated thermal characteristics), targeted electrical specifications (simulated), and bus functional waveforms. Detailed functional descriptions other than parametric performance is published in the *Intel® i960® RP Microprocessor User's Guide (272736)*.

### 1.1 Intel® Solutions960® Program

The Intel® Solutions960® program features a wide variety of development tools which support the 80960 processor family. Many of these tools are developed by partner companies; some are developed by Intel, such as profile-driven optimizing compilers. For more information on these products, contact your local Intel representative.

### 1.2 Terminology

In this document, the following terms are used:

- local bus refers to the 80960RX internal local bus, not the PCI local bus.
- *Primary and Secondary PCI buses* are the 80960RX internal PCI buses which conform to PCI SIG specifications.
- 80960 core refers to the 80960JF processor which is integrated into the 80960RX.



### 1.3 Additional Information Sources

Intel documentation is available from your local Intel Sales Representative or Intel Literature Sales.

1-800-548-4725

or by visiting Intel's website at <http://www.intel.com>.

**Table 1. Related Documentation**

Document Title	Order / Contact
<i>i960® RP Microprocessor User's Guide</i>	Intel Order # 272736
<i>i960® RP Processor: A Single-Chip Intelligent I/O Subsystem Technical Brief</i>	Intel Order # 272738
<i>i960® Jx Microprocessor User's Guide</i>	Intel Order # 272483
<i>80960RP Specification Update</i>	Intel Order # 272918
<i>PCI Local Bus Specification, Revision 2.1</i>	PCI Special Interest Group 1-800-433-5177
<i>PCI-to-PCI Bridge Architecture Specification, Revision 1.0</i>	PCI Special Interest Group 1-800-433-5177
<i>I<sup>2</sup>C Peripherals for Microcontrollers</i>	Philips Semiconductor



## 2.0 Functional Overview

As indicated in Figure 1 the 80960RX combines many features with the 80960JF to create an intelligent I/O processor. Subsections following the figure briefly describe the main features; for detailed functional descriptions, refer to the *Intel® i960® RP Microprocessor User's Guide (272736)*.

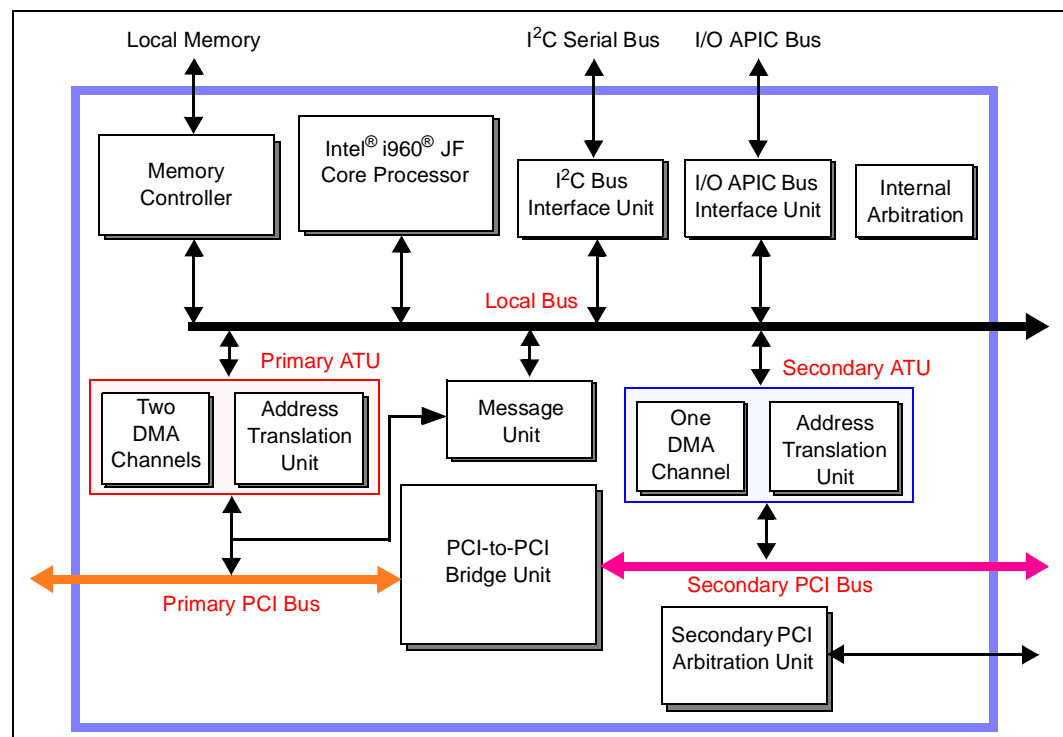
The PCI bus is an industry standard, high performance, low latency system bus that operates up to 132 Mbyte/s. The 80960RX, a multi-function PCI device, is fully compliant with the *PCI Local Bus Specification, Revision 2.1*. Function 0 is the PCI-to-PCI bridge unit; Function 1 is the address translation unit.

The PCI-to-PCI bridge unit is the connection path between two independent 32-bit PCI buses and provides the ability to overcome PCI electrical load limits. The addition of the Intel® i960® core processor brings intelligence to the bridge.

The 80960RX, object code compatible with the Intel® i960® core processor, is capable of sustained execution at the rate of one instruction per clock.

The local bus, a 32-bit multiplexed burst bus, is a high-speed interface to system memory and I/O. A full complement of control signals simplifies the connection of the 80960RX to external components. Physical and logical memory attributes are programmed via memory-mapped control registers (MMRs), an extension not found on the Intel® i960® KX (80960KX), Intel® i960 SX (80960SX) or Intel® i960® CX (80960CX) processors. Physical and logical configuration registers enable the processor to operate with all combinations of bus width and data object alignment.

Figure 1. Product Name Functional Block Diagram



## 2.1 Key Functional Units

### 2.1.1 PCI-to-PCI Bridge Unit

The PCI-to-PCI bridge unit (referred to as “bridge”) connects two independent PCI buses. It is fully compliant with the *PCI-to-PCI Bridge Architecture Specification*, Revision 1.0 published by the PCI Special Interest Group. It allows certain bus transactions on one PCI bus to be forwarded to the other PCI bus. Dedicated data queues support high performance bandwidth on the PCI buses. The Product Name supports PCI 64-bit Dual Address Cycle (DAC) addressing.

The bridge has dedicated PCI configuration space that is accessible through the primary PCI bus.

### 2.1.2 Private PCI Device Support

A key design feature is that the 80960RX explicitly supports private PCI devices on the secondary PCI bus without being detected by PCI configuration software. The bridge and Address Translation Unit work together to hide private devices from PCI configuration cycles and allow these devices to use a private PCI address space. The Address Translation Unit uses normal PCI configuration cycles to configure these devices.

### 2.1.3 DMA Controller

The DMA Controller supports low-latency, high-throughput data transfers between PCI bus agents and 80960 local memory. Three separate DMA channels accommodate data transfers: two for primary PCI bus, one for the secondary PCI bus. The DMA Controller supports chaining and unaligned data transfers. It is programmable only through the Intel® i960® core processor.

### 2.1.4 Address Translation Unit

The Address Translation Unit (ATU) allows PCI transactions direct access to the 80960RX local memory. The 80960RX has direct access to both PCI buses. The ATU supports transactions between PCI address space and 80960RX address space.

Address translation is controlled through programmable registers accessible from both the PCI interface and the 80960 core. Dual access to registers allows flexibility in mapping the two address spaces.

### 2.1.5 Messaging Unit

The Messaging Unit (MU) provides data transfer between the PCI system and the 80960RX. It uses interrupts to notify each system when new data arrives. The MU has four messaging mechanisms. Each allows a host processor or external PCI device and the 80960RX to communicate through message passing and interrupt generation. The four mechanisms are Message Registers, Doorbell Registers, Circular Queues, and Index Registers.

## 2.1.6 Memory Controller

The Memory Controller allows direct control of external memory systems, including DRAM, SRAM, ROM and Flash Memory. It provides a direct connect interface to memory that typically does not require external logic. It features programmable chip selects, a wait state generator and byte parity. External memory can be configured as PCI addressable memory or private processor memory.

## 2.1.7 I<sup>2</sup>C Bus Interface Unit

The I<sup>2</sup>C (Inter-Integrated Circuit) Bus Interface Unit allows the 80960 core to serve as a master and slave device residing on the I<sup>2</sup>C bus. The I<sup>2</sup>C bus is a serial bus developed by Philips Semiconductor consisting of a two pin interface. The bus allows the 80960RX to interface to other I<sup>2</sup>C peripherals and microcontrollers for system management functions. It requires a minimum of hardware for an economical system to relay status and reliability information on the I/O subsystem to an external device. For more information, see *I<sup>2</sup>C Peripherals for Microcontrollers* (Philips Semiconductor)

### 2.1.7.1 I/O APIC Bus Interface Unit

The I/O APIC Bus Interface Unit provides an interface to the three-wire Advanced Programmable Interrupt Controller (APIC) bus that allows I/O APIC emulation in software. Interrupt messages can be sent on the bus and EOI messages can be received.

### 2.1.7.2 Secondary PCI Arbitration Unit

The Secondary PCI Arbitration Unit provides PCI arbitration for the secondary PCI bus. It includes a fairness algorithm with programmable priorities and six PCI Request and Grant signal pairs. This arbitration unit can also be disabled to allow for external arbitration.

## 2.2 Intel® i960® Core Features (Intel® 80960JF)

The processing power of the 80960RX comes from the 80960JF processor core. The 80960JF is a new, scalar implementation of the 80960 Core Architecture. Figure 2 shows a block diagram of the 80960JF Core processor.

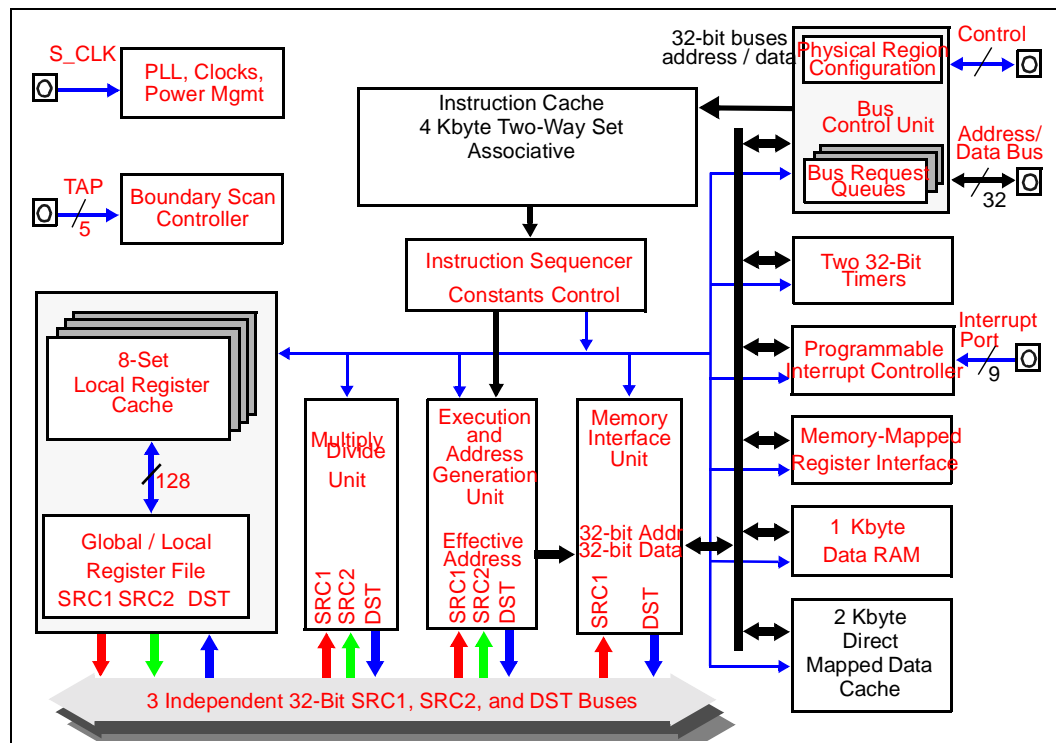
Factors that contribute to the 80960 family core performance include:

- Single-clock execution of most instructions
- Independent Multiply/Divide Unit
- Efficient instruction pipeline minimizes pipeline break latency
- Register and resource scoreboarding allow overlapped instruction execution
- 128-bit register bus speeds local register caching
- 4 Kbyte two-way set-associative, integrated instruction cache
- 2 Kbyte direct-mapped, integrated data cache
- 1 Kbyte integrated data RAM delivers zero wait state program data

The 80960 core operates out of its own 32-bit address space, which is independent of the PCI address space. The local bus memory can be:

- Made visible to the PCI address space
- Kept private to the 80960 core
- Allocated as a combination of the two

Figure 2. 80960JF Core Block Diagram



### 2.2.1 Burst Bus

A 32-bit high-performance bus controller interfaces the 80960RX to external memory and peripherals. The Bus Control Unit fetches instructions and transfers data on the local bus at the rate of up to four 32-bit words per six clock cycles. The external address/data bus is multiplexed.

Users may configure the 80960RX bus controller to match the fundamental memory organization of an application. Physical bus width is programmable for up to eight regions. Data caching is programmed through a group of logical memory templates and a defaults register. The Bus Control Unit features include:

- Multiplexed external bus minimizes pin count
- 32-, 16- and 8-bit bus widths simplify I/O interfaces
- External ready control for address-to-data, data-to-data and data-to-next-address wait state types
- Little endian byte ordering
- Unaligned bus accesses performed transparently

Three-deep load/store queue decouples the bus from the 80960 core

Upon reset, the 80960RX conducts an internal self test. Before executing its first instruction, it performs an external bus confidence test by performing a checksum on the first words of the Initialization Boot Record.

### 2.2.2 Timer Unit

The timer unit (TU) contains two independent 32-bit timers that are capable of counting at several clock rates and generating interrupts. Each is programmed by use of the Timer Unit registers. These memory-mapped registers are addressable on 32-bit boundaries. The timers have a single-shot mode and auto-reload capabilities for continuous operation. Each timer has an independent interrupt request to the 80960RX interrupt controller. The TU can generate a fault when unauthorized writes from user mode are detected.

### 2.2.3 Priority Interrupt Controller

Low interrupt latency is critical to many embedded applications. As part of its highly flexible interrupt mechanism, the 80960RX exploits several techniques to minimize latency:

- Interrupt vectors and interrupt handler routines can be reserved on-chip
- Register frames for high-priority interrupt handlers can be cached on-chip
- The interrupt stack can be placed in cacheable memory space

## 2.2.4 Faults and Debugging

The 80960RX employs a comprehensive fault model. The processor responds to faults by making implicit calls to a fault handling routine. Specific information collected for each fault allows the fault handler to diagnose exceptions and recover appropriately.

The processor also has built-in debug capabilities. Via software, the 80960RX may be configured to detect as many as seven different trace event types. Alternatively, **mark** and **fmark** instructions can generate trace events explicitly in the instruction stream. Hardware breakpoint registers are also available to trap on execution and data addresses.

## 2.2.5 On-Chip Cache and Data RAM

Memory subsystems often impose substantial wait state penalties. The 80960RX integrates considerable storage resources on-chip to decouple CPU execution from the external bus. It also includes a 4 Kbyte instruction cache, a 2 Kbyte data cache and 1 Kbyte data RAM.

## 2.2.6 Local Register Cache

The 80960RX rapidly allocates and deallocates local register sets during context switches. The processor needs to flush a register set to the stack only when it saves more than seven sets to its local register cache.

## 2.2.7 Test Features

The 80960RX incorporates numerous features that enhance the user ability to test both the processor and the system to which it is attached. These features include ONCE (On-Circuit Emulation) mode and Boundary Scan (JTAG).

The 80960RX provides testability features compatible with IEEE Standard Test Access Port and Boundary Scan Architecture (IEEE Std. 1149.1).

One of the boundary scan instructions, HIGHZ, forces the processor to float all its output pins (ONCE mode). ONCE mode can also be initiated at reset without using the boundary scan mechanism.

ONCE mode is useful for board-level testing. This feature allows a mounted 80960RX to electrically “remove” itself from a circuit board. This mode allows system-level testing where a remote tester can exercise the processor system.

The test logic does not interfere with component or system behavior and ensures that components function correctly, and also the connections between various components are correct.

The JTAG Boundary Scan feature is an alternative to conventional “bed-of-nails” testing. It can examine connections that might otherwise be inaccessible to a test system.

### 2.2.8 Memory-Mapped Control Registers

The 80960RX is compliant with 80960 family architecture and has the added advantage of memory-mapped, internal control registers not found on the 80960KX, 80960SX or 80960CX processors. This feature provides software an interface to easily read and modify internal control registers.

Each memory-mapped, 32-bit register is accessed via regular memory-format instructions. The processor ensures that these accesses do not generate external bus cycles.

### 2.2.9 Instructions, Data Types and Memory Addressing Modes

As with all 80960 family processors, the 80960RX instruction set supports several different data types and formats:

- Bit
- Bit fields
- Integer (8-, 16-, 32-, 64-bit)
- Ordinal (8-, 16-, 32-, 64-bit unsigned integers)
- Triple word (96 bits)
- Quad word (128 bits)

The 80960RX provides a full set of addressing modes for C and assembly:

- Two Absolute modes
- Five Register Indirect modes
- Index with displacement mode
- IP with displacement mode

Table 2 shows the available instructions.

**Table 2. 80960RX Instruction Set**

<b>Data Movement</b>	<b>Arithmetic</b>	<b>Logical</b>	<b>Bit, Bit Field and Byte</b>
Load Store Move Conditional Select Load Address	Add Subtract Multiply Divide Remainder Modulo Shift Extended Shift Extended Multiply Extended Divide Add with Carry Subtract with Carry Conditional Add Conditional Subtract Rotate	And Not And And Not Or Exclusive Or Not Or Or Not Nor Exclusive Nor Not Nand	Set Bit Clear Bit Not Bit Alter Bit Scan For Bit Span Over Bit Extract Modify Scan Byte for Equal Byte Swap
<b>Comparison</b>	<b>Branch</b>	<b>Call/Return</b>	<b>Fault</b>
Compare Conditional Compare Compare and Increment Compare and Decrement Test Condition Code Check Bit	Unconditional Branch Conditional Branch Compare and Branch	Call Call Extended Call System Return Branch and Link	Conditional Fault Synchronize Faults
<b>Debug</b>	<b>Processor Management</b>	<b>Atomic</b>	
Modify Trace Controls Mark Force Mark	Flush Local Registers Modify Arithmetic Controls Modify Process Controls Halt System Control Cache Control Interrupt Control	Atomic Add Atomic Modify	



## 3.0 Package Information

### 3.1 Package Introduction

The 80960RX is offered in a SuperBGA\* Ball Grid Array (HL-PBGA) package. This is a perimeter array package with four rows of ball connections in the outer area of the package. See [Figure 4, “352L HL-PBGA Package Diagram \(Bottom View\)”](#) on page 31.

[Section 3.1.1, “Functional Signal Definitions”](#) on page 17 describes signal function; [Section 3.1.2, “352-Lead HL-PBGA Package”](#) on page 30 defines the signal and ball locations.

#### 3.1.1 Functional Signal Definitions

[Table 3](#) presents the legend for interpreting the Type Field in the following tables. [Table 4](#) defines signals associated with the bus interface. [Table 5](#) defines signals associated with basic control and test functions. [Table 6](#) defines signals associated with the Interrupt Unit. [Table 7](#) defines PCI signals. [Table 8](#) defines Memory Controller signals. [Table 9](#) defines DMA, APIC and I<sup>2</sup>C signals. [Table 10](#) defines clock signals. [Table 11](#) defines ICE signals.

**Table 3. Signal Type Definition**

Symbol	Description
I	Input signal only.
O	Output signal only.
I/O	Signal can be either an input or output.
OD	Open Drain signal.
–	Signal must be connected as described.
S (...)	Synchronous. Inputs must meet setup and hold times relative to <b>S_CLK</b> . S(E) Edge sensitive input S(L) Level sensitive input
A (...)	Asynchronous. Inputs may be asynchronous relative to <b>S_CLK</b> . A(E) Edge sensitive input A(L) Level sensitive input
R (...)	While the <b>P_RST#</b> signal is asserted, the signal: R(1) is driven to V <sub>CC</sub> R(0) is driven to V <sub>SS</sub> R(Q) is a valid output R(Z) Floats R(H) is pulled up to V <sub>CC</sub> R(X) is driven to an unknown state
H (...)	While the 80960RX is in the hold state, the signal: H(1) is driven to V <sub>CC</sub> H(0) is driven to V <sub>SS</sub> H(Q) Maintains previous state or continues to be a valid output H(Z) Floats
P (...)	While the 80960RX is halted, the signal: P(1) is driven to V <sub>CC</sub> P(0) is driven to V <sub>SS</sub> P(Q) Maintains previous state or continues to be a valid output
K (...)	While the Secondary PCI Bus is being parked, the signal: K(Z) Floats K(Q) Maintains previous state or continues to be a valid output

Table 4. Signal Descriptions (Sheet 1 of 4)

Name	Type	Description															
AD31:0	I/O S(L) R(Z) H(Z) P(Q)	<p><b>ADDRESS / DATA BUS</b> carries 32-bit physical addresses and 8-, 16- or 32-bit data to and from memory. During an address (<math>T_a</math>) cycle, bits 2-31 contain a physical word address (bits 0-1 indicate SIZE; see below). During a data (<math>T_d</math>) cycle, read or write data is present on one or more contiguous bytes, comprising AD31:24, <b>AD23:16</b>, <b>AD15:8</b> and <b>AD7:0</b>. During write operations, unused signals are driven to determinate values.</p> <p><b>SIZE</b>, which comprises bits 0-1 of the AD lines during a <math>T_a</math> cycle, specifies the number of data transfers during the bus transaction on the local bus. When the DMA or ATUs initiate data transfers, transfer size shown below is <b>not</b> valid.</p> <table border="1"> <thead> <tr> <th>AD1</th> <th>AD0</th> <th>Bus Transfers</th> </tr> </thead> <tbody> <tr> <td>0</td> <td>0</td> <td>1 Transfer</td> </tr> <tr> <td>0</td> <td>1</td> <td>2 Transfers</td> </tr> <tr> <td>1</td> <td>0</td> <td>3 Transfers</td> </tr> <tr> <td>1</td> <td>1</td> <td>4 Transfers</td> </tr> </tbody> </table> <p>When the 80960RX enters Halt mode and the previous bus operation was: write — AD31:2 are driven with the last data value on the AD bus. read — AD31:2 are driven with the last address value on the AD bus. Typically, AD1:0 reflect the SIZE information of the last bus transaction (either instruction fetch or load/store) that was executed before entering Halt mode.</p>	AD1	AD0	Bus Transfers	0	0	1 Transfer	0	1	2 Transfers	1	0	3 Transfers	1	1	4 Transfers
AD1	AD0	Bus Transfers															
0	0	1 Transfer															
0	1	2 Transfers															
1	0	3 Transfers															
1	1	4 Transfers															
ADS#	O R(1) H(Z) P(1)	<p><b>ADDRESS STROBE</b> indicates a valid address and the start of a new bus access. The processor asserts <b>ADS#</b> for the entire <math>T_a</math> cycle. External bus control logic typically samples <b>ADS#</b> at the end of the cycle.</p>															
ALE	O R(0) H(Z) P(0)	<p><b>ADDRESS LATCH ENABLE</b> indicates the transfer of a physical address. <b>ALE</b> is asserted during a <math>T_a</math> cycle and deasserted before the beginning of the <math>T_d</math> state. It is active HIGH and floats to a high impedance state during a hold cycle (<math>T_h</math>).</p>															
BLAST#	O H(Z) P(1)	<p><b>BURST LAST</b> indicates the last transfer in a bus access. <b>BLAST#</b> is asserted in the last data transfer of burst and non-burst accesses. <b>BLAST#</b> remains active while wait states are detected via the <b>LRDYRCV#</b> or <b>RDYRCV#</b> signal on the memory controller. <b>BLAST#</b> becomes inactive after the final data transfer in a bus cycle. <b>BLAST#</b> has a weak internal pullup which is active during reset to ensure normal operation when the signal is not connected.</p> <p>0 = Last Data Transfer 1 = Not the Last Data Transfer</p>															

Table 4. Signal Descriptions (Sheet 2 of 4)

Name	Type	Description
BE3:0#	O R(1) H(Z) P(1)	<p><b>BYTE ENABLES</b> select which of up to four data bytes on the bus participate in the current bus access. Byte enable encoding depends on the bus width of the memory region accessed:</p> <p><i>32-bit bus:</i>  <b>BE3#</b> enables data on <b>AD31:24</b>  <b>BE2#</b> enables data on <b>AD23:16</b>  <b>BE1#</b> enables data on <b>AD15:8</b>  <b>BE0#</b> enables data on <b>AD7:0</b></p> <p><i>16-bit bus:</i>  <b>BE3#</b> becomes Byte High Enable (enables data on <b>AD15:8</b>)  <b>BE2#</b> is not used (state is high)  <b>BE1#</b> becomes Address Bit 1 (A1)  (increments with the assertion of <b>LRDY#</b> or <b>RDYRCV#</b>)  <b>BE0#</b> becomes Byte Low Enable (enables data on <b>AD7:0</b>)</p> <p><i>8-bit bus:</i>  <b>BE3#</b> is not used (state is high)  <b>BE2#</b> is not used (state is high)  <b>BE1#</b> becomes Address Bit 1 (A1)  (increments with the assertion of <b>LRDY#</b> or <b>RDYRCV#</b>)  <b>BE0#</b> becomes Address Bit 0 (A0)  (increments with the assertion of <b>LRDY#</b> or <b>RDYRCV#</b>)</p> <p>The processor asserts byte enables, byte high enable and byte low enable during <math>T_a</math>. Since unaligned bus requests are split into separate bus transactions, these signals do not toggle during a burst (32-bit bus only) from the Intel® i960® core processor; they do toggle for DMA and ATU cycles. They remain active through the last <math>T_d</math> cycle.</p>
DEN#	O H(Z) P(1)	<p><b>DATA ENABLE</b> indicates data transfer cycles during a bus access. <b>DEN#</b> is asserted at the start of the first data cycle in a bus access and deasserted at the end of the last data cycle. <b>DEN#</b> is used with <b>DT/R#</b> to provide control for data transceivers connected to the data bus. <b>DEN#</b> has a weak internal pullup which is active during reset to ensure normal operation when the signal is not connected.</p> <p>0 = Data Cycle 1 = Not a Data Cycle</p>
D/C# RST_MODE#	I/O R(H) H(Z) P(Q)	<p><b>DATA/CODE/RESET_MODE</b> indicates that a bus access is a data access or an instruction access. <b>D/C#</b> has the same timing as <b>W/R#</b>.</p> <p>0 = Instruction Access 1 = Data Access</p> <p>The <b>RST_MODE#</b> signal is sampled at Primary PCI bus reset to determine whether the 80960 core is to be held in reset. When <b>RST_MODE#</b> is high, the 80960RX begins initialization immediately following the deassertion of <b>P_RST</b>. When <b>RST_MODE</b> is low, the 80960 core remains in reset until the 80960 core reset bit is cleared in the extended bridge control register. This signal has a weak internal pullup that is active during reset to ensure normal operation when the signal is left unconnected.</p> <p>0 = <b>RST_MODE</b> enabled 1 = <b>RST_MODE</b> not enabled</p> <p>While the 80960 core is in reset, all peripherals may be accessed from the primary or secondary PCI buses depending on the status of the <b>WIDTH/HLTD1/RETRY/</b> signal.</p>
DT/R#	O R(0) H(Z) P(Q)	<p><b>DATA TRANSMIT / RECEIVE</b> indicates the direction of data transfer to and from the address/data bus. It is low during <math>T_a</math> and <math>T_w/T_d</math> cycles for a read; it is high during <math>T_a</math> and <math>T_w/T_d</math> cycles for a write. <b>DT/R#</b> never changes state when <b>DEN#</b> is asserted.</p> <p>0 = Receive 1 = Transmit</p>

Table 4. Signal Descriptions (Sheet 3 of 4)

Name	Type	Description
<b>LOCK#/ONCE#</b>	I/O S(L) R(H) H(Z) P(Q)	<p><b>BUS LOCK</b> indicates that an atomic read-modify-write operation is in progress. The <b>LOCK#</b> output is asserted in the first clock of an atomic operation and deasserted in the last data transfer of the sequence. The processor does not grant <b>HOLDA</b> while asserting <b>LOCK#</b>. This prevents external agents from accessing memory involved in semaphore operations.</p> <p>0 = Atomic Read-Modify-Write in Progress 1 = No Atomic Read-Modify-Write in Progress</p> <p><b>ONCE MODE:</b> The processor samples the <b>ONCE</b> input during reset. When <b>ONCE#</b> is asserted LOW at the end of reset, the processor enters <b>ONCE</b> mode, stops all clocks and floats all output signals. <b>LOCK#/ONCE#</b> has a weak internal pullup which is active during reset to ensure normal operation when the signal is not connected.</p> <p>0 = ONCE Mode Enabled 1 = ONCE Mode Not Enabled</p>
<b>LRDYRCV#</b>	O R(1) H(Q) P(Q)	<p><b>LOCAL READY/RECOVER</b>, generated by the 80960RX memory controller unit, is an output version of the <b>READY/RECOVER (RDYRCV#)</b> signal. Refer to the <b>RDYRCV#</b> signal description.</p>
<b>HOLD</b>	I S(L)	<p><b>HOLD</b> is a request from an external bus master to acquire the bus. When the processor receives <b>HOLD</b> and grants bus control to another master, it asserts <b>HOLDA</b>, floats the address/data and control lines and enters the <math>T_h</math> state. When <b>HOLD</b> is deasserted, the processor deasserts <b>HOLDA</b> and enters either the <math>T_i</math> or <math>T_a</math> state, resuming control of the address/data and control lines. See <a href="#">Section 32, "HOLD/HOLDA Waveform For Bus Arbitration" on page 72</a>.</p> <p>0 = No Hold Request 1 = Hold Requested</p>
<b>HOLDA</b>	O R(0) H(1) P(Q)	<p><b>HOLD ACKNOWLEDGE</b> indicates to an external bus master that the processor has relinquished bus control. The processor can grant <b>HOLD</b> requests and enter the <math>T_h</math> state and while halted as well as during regular operation. See <a href="#">Section 32, "HOLD/HOLDA Waveform For Bus Arbitration" on page 72</a>.</p> <p>0 = No Hold Acknowledged 1 = Hold Acknowledged</p>
<b>RDYRCV#</b>	I S(L)	<p><b>READY/RECOVER</b> is only used in systems that use an external memory controller (and do not use the 80960RX memory controller unit). This signal indicates that data on AD lines can be sampled or removed. When <b>RDYRCV#</b> is not asserted during a <math>T_d</math> cycle, the <math>T_d</math> cycle extends to the next cycle by inserting a wait state (<math>T_w</math>).</p> <p>0 = Sample Data 1 = Do Not Sample Data</p> <p><b>RDYRCV#</b> has an alternate function during the recovery (<math>T_r</math>) state. The processor continues to insert recovery states until it samples the signal HIGH. This gives slow external devices more time to float their buffers before the processor drives addresses.</p> <p>0 = Insert Wait States 1 = Recovery Complete</p> <p>When using the internal memory controller, connect this signal to <math>V_{CC}</math> through a 2.7 K<math>\Omega</math> resistor.</p>

Table 4. Signal Descriptions (Sheet 4 of 4)

Name	Type	Description								
<b>W/R#</b>	<p><b>O</b> R(O) H(Z) P(Q)</p>	<p><b>WRITE/READ</b> specifies during a <math>T_a</math> cycle whether the operation is a write or read. It is latched on-chip and remains valid during <math>T_d</math> cycles.</p> <p>0 = Read 1 = Write</p>								
<b>WIDTH/HLTD0</b>	<p><b>I/O</b> R(H) H(Z) P(Q)</p>	<p><b>WIDTH</b> denotes the physical memory attributes for a bus transaction in conjunction with <b>WIDTH/HLTD1/RETRY</b>:</p> <p><b>WIDTH/HLTD1/RETRY WIDTH/HLTD0</b></p> <table border="0"> <tr> <td>0</td> <td>08 Bits Wide</td> </tr> <tr> <td>0</td> <td>116 Bits Wide</td> </tr> <tr> <td>1</td> <td>032 Bits Wide</td> </tr> <tr> <td>1</td> <td>1 Undefined</td> </tr> </table> <p><b>WIDTH/HLTD0</b> For proper operation, do not connect this signal to ground. This signal has a weak internal pullup which is active during reset to ensure normal operation.</p> <p><b>HLTD0</b> signal name has no function in the 80960RX; the signal name is included for 80960JF naming convention compatibility.</p>	0	08 Bits Wide	0	116 Bits Wide	1	032 Bits Wide	1	1 Undefined
0	08 Bits Wide									
0	116 Bits Wide									
1	032 Bits Wide									
1	1 Undefined									
<b>WIDTH/HLTD1/RETRY</b>	<p><b>I/O</b> R(H) H(Z) P(Q)</p>	<p><b>WIDTH</b> denotes the physical memory attributes for a bus transaction in conjunction with the <b>WIDTH/HLTD0</b> signal. Refer to description above.</p> <p><b>RETRY</b> is sampled at Primary PCI bus reset to determine when the Primary PCI interface is disabled. When high, the Primary PCI interface disables PCI configuration cycles by signaling a <b>RETRY</b> until the Extended Bridge Control Register Configuration Cycle Disable bit is cleared. When low, the Primary PCI interface allows configuration cycles to occur. <b>WIDTH/HLTD1/RETRY</b> has a weak internal pullup which is active during reset to ensure normal operation when the signal is not connected.</p> <p><b>HLTD1</b> signal name has no function in the 80960RX; the signal name is included for 80960JF naming convention compatibility.</p>								

**Table 5. Power Requirement, Processor Control and Test Signal Descriptions**

Name	Type	Description
<b>FAIL#</b>	O R(0) H(Q)	<b>FAIL</b> indicates a failure of the processor built-in self-test performed during initialization. <b>FAIL#</b> is asserted immediately upon reset and toggles during self-test to indicate the status of individual tests: <ul style="list-style-type: none"> <li>When self-test passes, the processor deasserts <b>FAIL#</b> and commences operation from user code.</li> <li>When self-test fails, the processor asserts <b>FAIL#</b> and then stops executing. Self-test failing does not cause the bridge to stop execution.</li> </ul> 0 = Self Test Failed 1 = Self Test Passed
<b>L_RST#</b>	O	<b>LOCAL BUS RESET</b> notifies external devices that the local bus has reset.
<b>STEST</b>	I S(L)	<b>SELF TEST</b> enables or disables the processor internal self-test feature at initialization. <b>STEST</b> is examined at the end of <b>P_RST#</b> . When <b>STEST</b> is asserted, the processor performs its internal self-test and the external bus confidence test. When <b>STEST</b> is deasserted, the processor performs only the external bus confidence test. 0 = Self Test Disabled 1 = Self Test Enabled
<b>TCK</b>	I	<b>TEST CLOCK</b> is a CPU input that provides the clocking function for IEEE 1149.1 Boundary Scan Testing (JTAG). State information and data are clocked into the processor on the rising edge; data is clocked out of the processor on the falling edge.
<b>TDI</b>	I S(L)	<b>TEST DATA INPUT</b> is the serial input signal for JTAG. <b>TDI</b> is sampled on the rising edge of <b>TCK</b> , during the SHIFT-IR and SHIFT-DR states of the Test Access Port. This signal has a weak internal pullup which is active during reset to ensure normal operation when the signal is not connected.
<b>TDO</b>	O R(Q) H(Q) P(Q)	<b>TEST DATA OUTPUT</b> is the serial output signal for JTAG. <b>TDO</b> is driven on the falling edge of <b>TCK</b> during the SHIFT-IR and SHIFT-DR states of the Test Access Port. At other times, <b>TDO</b> floats.
<b>TMS</b>	I S(L)	<b>TEST MODE SELECT</b> is sampled at the rising edge of <b>TCK</b> to select the operation of the test logic for IEEE 1149.1 Boundary Scan testing. This signal has a weak internal pullup which is active during reset to ensure normal operation when the signal is not connected.
<b>TRST#</b>	I A(L)	<b>TEST RESET</b> asynchronously resets the Test Access Port (TAP) controller function of IEEE 1149.1 Boundary Scan testing (JTAG). When using the Boundary Scan feature, connect a pulldown resistor (1.5 K $\Omega$ ) between this signal and $V_{SS}$ . When TAP is not used, this signal must be connected to $V_{SS}$ ; however, no resistor is required. The signal has a weak internal pullup which must be overcome during reset to ensure normal operation.
<b>V<sub>CC</sub></b>	–	<b>POWER.</b> Connect to a 3.3 Volt $V_{CC}$ board plane.
<b>V<sub>CC5</sub></b>	–	<b>5 VOLT REFERENCE VOLTAGE.</b> Input is the reference voltage for the 5 V-tolerant I/O buffers. Connect this signal to +5 V for use with signals which exceed 3.3 V. When all inputs are from 3.3 V components, connect this signal to 3.3 V.
<b>V<sub>SS</sub></b>	–	<b>GROUND.</b> Connect to a $V_{SS}$ board plane.
<b>N.C.</b>	–	<b>NO CONNECT.</b> Do not make electrical connections to these balls.
<b>VCCPLL3: 1</b>	I	<b>PLL POWER.</b> For external connection to a 3.3 V $V_{CC}$ board plane. Power to PLLs requires external filtering.

Table 6. Interrupt Unit Signal Descriptions

Name	Type	Description
<b>NMI#</b>	I A(L)	<b>NON-MASKABLE INTERRUPT</b> causes a non-maskable interrupt event to occur. <b>NMI#</b> is the highest priority interrupt source and is level-detect. When <b>NMI#</b> is unused, it is recommended that you connect it to $V_{CC}$ .
<b>S_INT[A:D]#/ XINT3:0#</b>	I A(L)	<p><b>SECONDARY PCI BUS INTERRUPT</b><sup>1</sup> requests an interrupt. S_INTx# assertion and deassertion is asynchronous to S_CLK. A device asserts S_INTx# when requesting attention from its device driver. When S_INTx# is asserted, it remains asserted until the device driver clears the pending request. S_INTx# Interrupts are level sensitive.</p> <p><b>EXTERNAL INTERRUPT.</b> External devices use this signal to request an interrupt service. These signals operate in dedicated mode, where each signal is assigned a dedicated interrupt level.</p> <p>The <b>S_INT[A:D]#/XINT3:0#</b> signals can be directed as follows:</p> <p>Sec. PCI Primary PCI80960 Core Processor</p> <p><b>S_INTA#</b> ⇒ <b>P_INTA#</b> or <b>XINT0#</b>  <b>S_INTB#</b> ⇒ <b>P_INTB#</b> or <b>XINT1#</b>  <b>S_INTC#</b> ⇒ <b>P_INTC#</b> or <b>XINT2#</b>  <b>S_INTD#</b> ⇒ <b>P_INTD#</b> or <b>XINT3#</b></p>
<b>XINT7:4#</b>	I A(L)	<b>EXTERNAL INTERRUPT.</b> External devices use this signal to request an interrupt service. These signals operate in dedicated mode, where each signal is assigned a dedicated interrupt level.

**NOTE:**

1. PCI signal functions are summarized in this data sheet; refer to the *PCI Local Bus Specification*, Revision 2.1 for a more complete definition.

Table 7. PCI Signal Descriptions (Sheet 1 of 3)

Name	Type	Description <sup>1</sup>
P_AD31:0	I/O K(Q) R(Z)	<b>PRIMARY PCI ADDRESS/DATA</b> is the primary multiplexed PCI address and data bus.
P_C/BE3:0#	I/O K(Q) R(Z)	<b>PRIMARY PCI BUS COMMAND and BYTE ENABLE</b> signals are multiplexed on the same PCI signals. During an address phase, <b>P_C/BE3:0#</b> define the bus command. During a data phase, <b>P_C/BE3:0#</b> are used as byte enables.
P_DEVSEL#	I/O R(Z)	<b>PRIMARY PCI BUS DEVICE SELECT</b> is driven by a target agent that has successfully decoded the address. As an input, it indicates whether or not an agent has been selected.
P_FRAME#	I/O R(Z)	<b>PRIMARY PCI BUS CYCLE FRAME</b> is asserted to indicate the beginning and duration of an access on the Primary PCI bus.
P_GNT#	I R(Z)	<b>PRIMARY PCI BUS GRANT</b> indicates to the agent that access to the bus has been granted. This is a point-to-point signal.
P_IDSEL	I S(L)	<b>PRIMARY PCI BUS INITIALIZATION DEVICE SELECT</b> selects the 80960RX during a Configuration Read or Write command on the primary PCI bus.
P_INT[A:D]#	O OD R(Z)	<b>PRIMARY PCI BUS INTERRUPT</b> requests an interrupt. The assertion and deassertion of <b>P_INTx#</b> is asynchronous to <b>S_CLK</b> . A device asserts its <b>P_INTx#</b> line when requesting attention from its device driver. Once the <b>P_INTx#</b> signal is asserted, it remains asserted until the device driver clears the pending request. <b>P_INTx#</b> interrupts are level sensitive.
P_IRDY#	I/O R(Z)	<b>PRIMARY PCI BUS INITIATOR READY</b> indicates the initiating agent's (bus master's) ability to complete the current data phase of the transaction.
P_LOCK#	I S(L)	<b>PRIMARY PCI BUS LOCK</b> indicates an atomic operation that may require multiple transactions to complete.
P_PAR	I/O K(Q) R(Z)	<b>PRIMARY PCI BUS PARITY</b> . This signal ensures even parity across <b>P_AD31:0</b> and <b>P_C/BE3:0</b> . All PCI devices must provide a parity signal.
P_PERR#	I/O R(Z)	<b>PRIMARY PCI BUS PARITY ERROR</b> is used for reporting data parity errors during all PCI transactions except a special cycle.
P_REQ#	O K(Q) R(Z)	<b>PRIMARY PCI BUS REQUEST</b> indicates to the arbiter that this agent desires use of the bus. This is a point to point signal.
P_RST#	I A(L)	<b>PRIMARY RESET</b> brings 80960RX to a consistent state. When <b>P_RST#</b> is asserted: <ul style="list-style-type: none"> <li>• PCI output signals are driven to a known consistent state.</li> <li>• PCI bus interface output signals are three-stated.</li> <li>• open drain signals such as <b>P_SERR#</b> are floated.</li> <li>• <b>S_RST#</b> asserts.</li> </ul> <b>P_RST#</b> may be asynchronous to <b>S_CLK</b> when asserted or deasserted. Although asynchronous, deassertion must be guaranteed to be a clean, bounce-free edge.
P_SERR#	I/O OD R(Z)	<b>PRIMARY PCI BUS SYSTEM ERROR</b> reports address and data parity errors on the special cycle command, or any other system error where the result would be catastrophic.

**NOTE:**

1. PCI signal functions are summarized in this data sheet; refer to the *PCI Local Bus Specification, Revision 2.1* for a more complete definition.



Table 7. PCI Signal Descriptions (Sheet 2 of 3)

Name	Type	Description <sup>1</sup>
P_STOP#	I/O R(Z)	<b>PRIMARY PCI BUS STOP</b> indicates that the current target is requesting the master to stop the current transaction on the primary PCI bus.
P_TRDY#	I/O R(Z)	<b>PRIMARY PCI BUS TARGET READY</b> indicates the target agent's (selected device's) ability to complete the current data phase of the transaction.
S_AD31:0	I/O R(0)	<b>SECONDARY PCI ADDRESS/DATA</b> is the secondary multiplexed PCI address and data bus. A bus transaction consists of an address phase followed by one or more data phases.
S_C/BE3:0#	I/O R(0)	<b>SECONDARY PCI BUS COMMAND and BYTE ENABLE</b> signals are multiplexed on the same PCI signals. During an address phase, <b>S_C/BE3:0#</b> define the bus command. During a data phase, <b>S_C/BE3:0#</b> are used as byte enables.
S_DEVSEL#	I/O R(Z)	<b>SECONDARY PCI BUS DEVICE SELECT</b> is driven by a target agent that has successfully decoded the address. As an input, it indicates whether or not an agent has been selected.
S_FRAME#	I/O R(Z)	<b>SECONDARY PCI BUS CYCLE FRAME</b> is asserted to indicate the beginning and duration of an access on the Secondary PCI bus.
S_GNT0#/ S_REQ#	O R(Z)	<b>SECONDARY PCI BUS GRANT0</b> is a grant signal sent to device 0 on the secondary PCI bus when the internal Secondary PCI Bus Arbiter is enabled. <b>SECONDARY PCI BUS REQUEST</b> is the request signal for the 80960RX when the arbiter is disabled.
S_GNT5:1#	O R(Q)	<b>SECONDARY PCI BUS GRANT</b> are grant signals sent to devices 1-5 on the secondary PCI bus.
S_IDSEL	I S(L)	<b>SECONDARY PCI BUS INITIALIZATION DEVICE SELECT</b> selects the 80960RX during a Configuration Read or Write command on the secondary PCI bus.
S_IRDY#	I/O R(Z)	<b>SECONDARY PCI BUS INITIATOR READY</b> indicates the initiating agent's (bus master's) ability to complete the current data phase of the transaction.
S_LOCK#	I/O R(Z)	<b>SECONDARY PCI BUS LOCK</b> indicates the need to perform an atomic operation on the secondary PCI bus.
S_PAR	I/O R(0)	<b>SECONDARY PCI BUS PARITY</b> . This signal ensures even parity across <b>S_AD31:0</b> and <b>S_C/BE3:0</b> . All PCI devices must provide a parity signal.
S_PERR#	I/O R(Z)	<b>SECONDARY PCI BUS PARITY ERROR</b> is used for reporting data parity errors during all PCI transactions except a special cycle.
S_REQ0#/ S_GNT#	I	<b>SECONDARY PCI BUS REQUEST0</b> is a request signal from device 0 on the secondary PCI bus when the internal Secondary PCI Bus Arbiter is enabled. <b>SECONDARY PCI BUS GRANT</b> is the grant signal for the 80960RX when the arbiter is disabled.
S_RST#	O R(Q)	<b>SECONDARY PCI BUS RESET</b> is an output based on <b>P_RST#</b> . It brings PCI-specific registers, sequencers, and signals to a consistent state. When <b>P_RST#</b> is asserted, it causes <b>S_RST#</b> to assert, and: <ul style="list-style-type: none"> <li>• PCI output signals are driven to a known consistent state.</li> <li>• PCI bus interface output signals are three-stated.</li> <li>• open drain signals such as <b>S_SERR#</b> are floated.</li> </ul> <b>S_RST#</b> may be asynchronous to <b>S_CLK</b> when asserted or deasserted.

**NOTE:**

1. PCI signal functions are summarized in this data sheet; refer to the *PCI Local Bus Specification*, Revision 2.1 for a more complete definition.

Table 7. PCI Signal Descriptions (Sheet 3 of 3)

Name	Type	Description <sup>1</sup>
<b>S_SERR#</b>	I/O OD R(Z)	<b>SECONDARY PCI BUS SYSTEM ERROR</b> reports address and data parity errors on the special cycle command, or any other system error where the result would be catastrophic.
<b>S_STOP#</b>	I/O R(Z)	<b>SECONDARY PCI BUS STOP</b> indicates that the current target is requesting the master to stop the current transaction on the secondary PCI bus.
<b>S_TRDY#</b>	I/O R(Z)	<b>SECONDARY PCI BUS TARGET READY</b> indicates the target agent's (selected device's) ability to complete the current data phase of the transaction.
<b>S_REQ4:1#</b>	I S(L)	<b>SECONDARY PCI BUS REQUEST 4:1</b> are request signals from devices 1-4 on the secondary PCI bus.
<b>S_REQ5#/ S_ARB_EN</b>	I S(L)	<b>SECONDARY PCI BUS REQUEST 5</b> is the request signal from device 5 on the secondary PCI bus. <b>SECONDARY PCI BUS ARBITER ENABLE</b> defines the power-up status of the internal secondary arbitration unit. A valid high at the deassertion of <b>P_RST#</b> enables the internal secondary arbiter. A valid low at the deassertion of <b>P_RST#</b> disables the internal secondary arbiter.

**NOTE:**

1. PCI signal functions are summarized in this data sheet; refer to the *PCI Local Bus Specification, Revision 2.1* for a more complete definition.

Table 8. Memory Controller Signal Descriptions (Sheet 1 of 2)

Name	Type	Description
<b>CAS7:0#</b>	O R(1) H(Q) P(Q)	<p><b>COLUMN ADDRESS STROBE</b> signals are used for DRAM accesses and are asserted when the <b>MA11:0</b> signals contain a valid column address. <b>CAS7:0#</b> signals are asserted during refresh.</p> <p><i>Non-Interleaved Operation:</i>  <b>CAS0#,CAS4# = BE0#</b> lane access  <b>CAS1#,CAS5# = BE1#</b> lane access  <b>CAS2#,CAS6# = BE2#</b> lane access  <b>CAS3#,CAS7# = BE3#</b> lane access</p> <p><i>Interleaved Operation:</i>  <b>CAS0# = BE0#</b> Even leaf lane access  <b>CAS1# = BE1#</b> Even leaf lane access  <b>CAS2# = BE2#</b> Even leaf lane access  <b>CAS3# = BE3#</b> Even leaf lane access  <b>CAS4# = BE0#</b> Odd leaf lane access  <b>CAS5# = BE1#</b> Odd leaf lane access  <b>CAS6# = BE2#</b> Odd leaf lane access  <b>CAS7# = BE3#</b> Odd leaf lane access</p>
<b>CE1:0#</b>	O R(1) H(Q) P(Q)	<p><b>CHIP ENABLE</b> signals indicate an access to one of the two SRAM/ FLASH/ ROM memory banks. <b>CE0#</b> and <b>CE1#</b> are never asserted at the same time. These signals are valid during the entire memory operation. <b>CE0#</b> is asserted for accesses to memory bank 0. <b>CE1#</b> is asserted for accesses to memory bank 1.</p>
<b>DALE1:0</b>	O R(0) H(Q) P(Q)	<p><b>DRAM ADDRESS LATCH ENABLE</b> signals support external address demultiplexing of the <b>MA11:0</b> address lines for interleaved DRAM systems. Use these to directly interface to '373' type latches. These signals are only valid for accesses to interleaved memory systems. <b>DALE0</b> is asserted during a valid even leaf address. <b>DALE1</b> is asserted during a valid odd leaf address.</p>
<b>DP3:0</b>	I/O R(X) H(Q) P(Q)	<p><b>DATA PARITY</b> carries the parity information for DRAM accesses. Each parity bit corresponds to a group of 8 data bus signals as follows:  <b>DP0 — AD7:0DP2 — AD23:16</b>  <b>DP1 — AD15:8DP3 — AD31:24</b></p> <p>The memory controller generates parity information for local bus writes during data cycles. During read data cycles, the memory controller checks parity and provides notification of parity errors on the clock following the data cycle.</p> <p>Parity checking and polarity are user-programmable. Parity generation and checking are valid only for data lines that have their associated enable bits asserted.</p>
<b>DWE1:0#</b>	O R(1) H(Q) P(Q)	<p><b>DRAM WRITE ENABLE</b> signals distinguish between read and write accesses to DRAM. <b>DWE1:0#</b> lines are asserted for writes and deasserted for reads. <b>CAS7:0#</b> determine valid bytes lanes during the access. These two outputs are functionally equivalent for all DRAM accesses; these provide increased drive capability for heavily loaded systems.</p>
<b>LEAF1:0#</b>	O R(1) H(Q) P(Q)	<p><b>LEAF ENABLE</b> signals control the data output enables of the memory system during an interleaved DRAM read access. Use these to directly interface to either DRAM or transceiver output enable signals. <b>LEAF0#</b> is asserted during an even leaf access. <b>LEAF1#</b> is asserted during an odd leaf access.</p>

Table 8. Memory Controller Signal Descriptions (Sheet 2 of 2)

Name	Type	Description
<b>MA11:0</b>	O R(X) H(Q) P(Q)	<p><b>MULTIPLEXED ADDRESS</b> signals are multi-purpose depending on the device that is selected.</p> <p>For memory banks 0 and 1, these signals output address bits A13:2. These address bits are incremented for each data transfer of a burst access.</p> <p>For DRAM bank, these signals output the row/column multiplexed address bits 11:0. The relationship between the <b>AD31:0</b> lines and the <b>MA11:0</b> lines depends on the bank size, type and arrangement of the DRAM that is accessed.</p>
<b>MWE3:0#</b>	O R(1) H(Q) P(Q)	<p><b>MEMORY WRITE ENABLE</b> signals for write accesses to SRAM/FLASH devices. The MWEs rising edge strobes valid data into these devices.</p> <p><b>MWE0#</b> is asserted for writes to the <b>BE0#</b> lane  <b>MWE1#</b> is asserted for writes to the <b>BE1#</b> lane  <b>MWE2#</b> is asserted for writes to the <b>BE2#</b> lane  <b>MWE3#</b> is asserted for writes to the <b>BE3#</b> lane</p>
<b>RAS3:0#</b>	O R(1) H(Q) P(Q)	<p><b>ROW ADDRESS STROBE</b> signals are used for DRAM accesses and are asserted when the <b>MA11:0</b> signals contain a valid row address. <b>RAS3:0#</b> always deasserts after the last data transfer in a DRAM access.</p> <p><i>Non-Interleaved Operation:</i>  <b>RAS0#</b> = Bank0 access  <b>RAS1#</b> = Bank1 access  <b>RAS2#</b> = Bank2 access  <b>RAS3#</b> = Bank3 access</p> <p><i>Interleaved Operation:</i>  <b>RAS0,2#</b> = Even leaf  <b>RAS1,3#</b> = Odd leaf</p>

Table 9. DMA, APIC, I<sup>2</sup>C Units Signal Descriptions

Name	Type	Description
DACK#	O R(1) H(Q) P(Q)	<b>DMA DEMAND MODE ACKNOWLEDGE</b> The DMA Controller asserts this signal to indicate (1) it can receive new data from an external device or (2) it has data to send to an external device.
DREQ#	I S(L)	<b>DMA DEMAND MODE REQUEST</b> External devices use this signal to indicate (1) new data is ready for transfer to the DMA controller or (2) buffers are available to receive data from the DMA controller.
PICCLK	I	<b>APIC BUS CLOCK</b> provides synchronous operation of the APIC bus.
PICD1:0	I/O OD R(Z) H(Q) P(Q)	<b>APIC DATA</b> lines comprise the data portion of the APIC 3-wire bus.
SCL	I/O OD R(Z) H(Q) P(Q)	<b>I<sup>2</sup>C CLOCK</b> provides synchronous I <sup>2</sup> C bus operation.
SDA	I/O OD R(Z) H(Q) P(Q)	<b>I<sup>2</sup>C DATA</b> used for data transfer and arbitration on the I <sup>2</sup> C bus.
WAIT#	O R(1) H(Q) P(Q)	<b>WAIT</b> is an output that allows the DMA controller to insert wait states during DMA accesses to an external memory system.

Table 10. Clock Signal

Name	Type	Description
S_CLK	I	<b>SYNCHRONOUS PCI BUS CLOCK</b> Provides the processor fundamental time base. All input/output timings are relative to S_CLK.

Table 11. ICE Signal Descriptions

Name	Type	Description
ICEADS#	O	<b>ICE ADDRESS/DATA STATUS</b> indicates a valid address and the start of a new bus access. ICEADS# is active for accesses to external microcode.
ICEBRK#	I	<b>ICE BREAK</b> forces the processor to transition from emulation to interrogation mode.
ICEBUS7:0	I/O	<b>ICE BUS</b> is a bidirectional 8-bit bus linking the processor and the emulator. Used in various modes.
ICECLK	O	<b>ICE CLOCK</b> output signal to which all ICE bus signals are synchronized.
ICELOCK#	I	<b>ICE LOCK</b> is sampled during 80960 core reset to protect ICE configuration.
ICEMSG#	I	<b>ICE MESSAGE</b> signal used to acknowledge data from the processor to the emulator. Used only during interrogation mode.
ICESSEL#	I	<b>ICESSEL</b> enables or disables the ICE unit.
ICEVLD#	O	<b>ICE VALID</b> indicates the processor is driving the ICEBUS with valid data.
MSGFRM#	O	<b>ICE MESSAGE FRAME</b> indicates that trace messages are being issued to the ICEBUS. Used in emulation mode only.

### 3.1.2 352-Lead HL-PBGA Package

Figure 3. 352L HL-PBGA Package Diagram (Top and Side View)

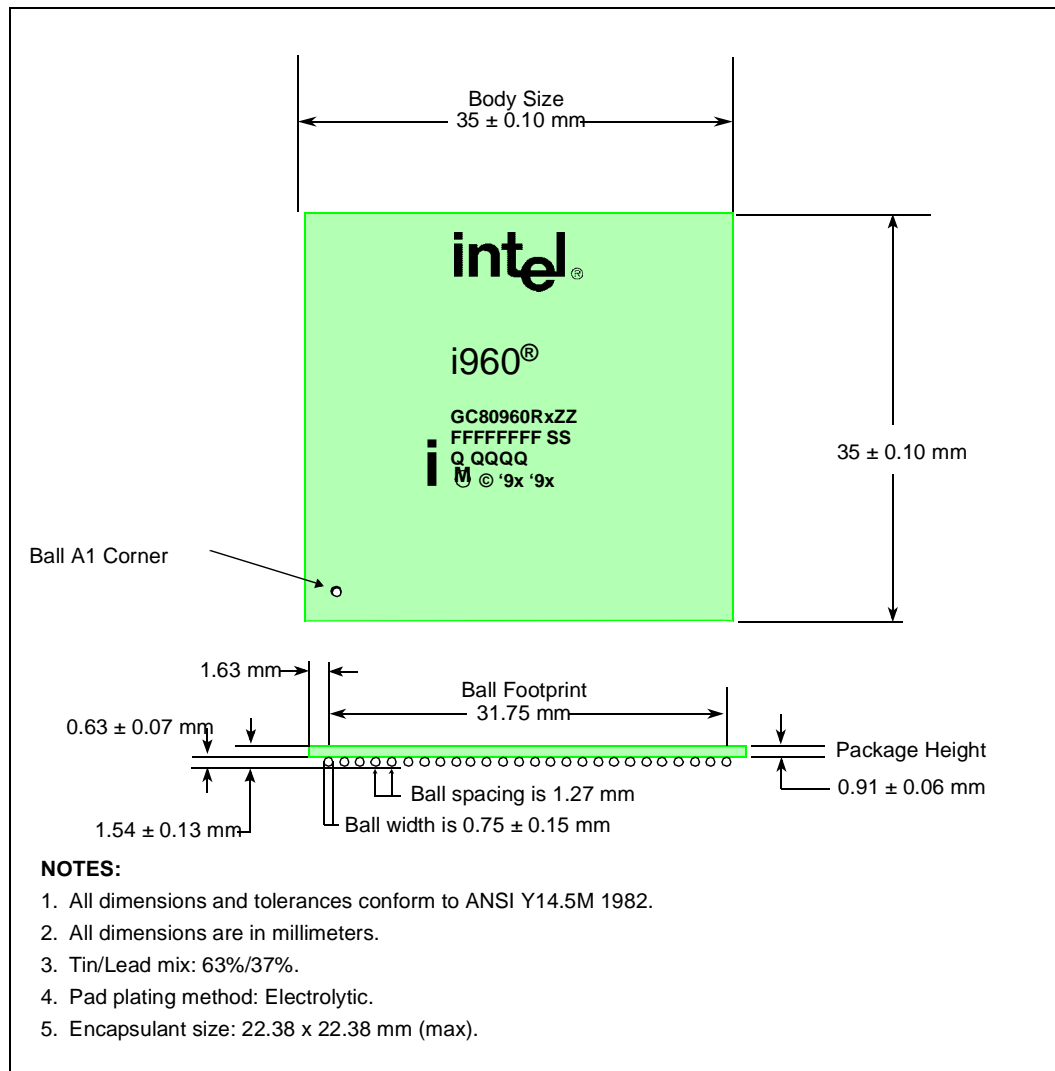


Figure 4. 352L HL-PBGA Package Diagram (Bottom View)

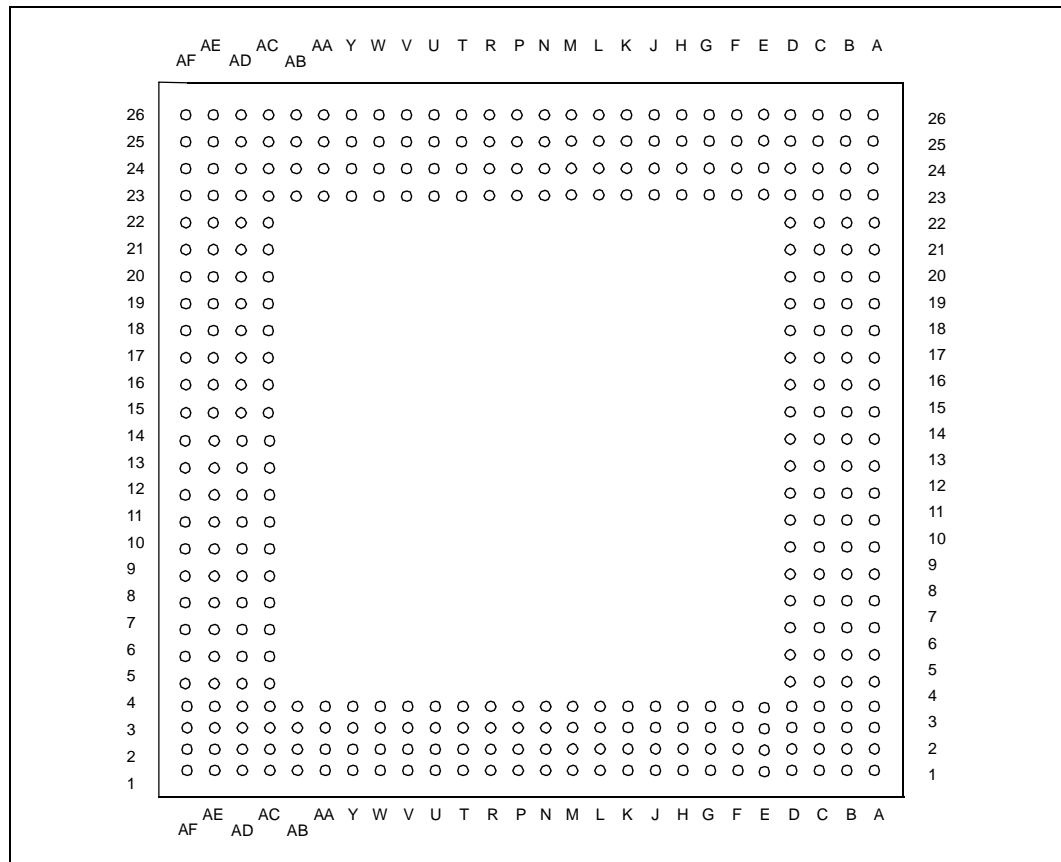


Table 12. 352-Lead HL-PBGA Package — Signal Name Order (Sheet 1 of 4)

Signal	Ball #	Signal	Ball #	Signal	Ball #
AD0	A18	BLAST#	C23	ICELOCK#	AB3
AD1	B18	CAS0#	F1	ICEMSG#	AA2
AD2	C17	CAS1#	F2	ICESEL#	AC2
AD3	A17	CAS2#	G3	ICEVLD#	AB1
AD4	B17	CAS3#	G1	LEAF0	L2
AD5	C16	CAS4#	G2	LEAF1	M3
AD6	A16	CAS5#	H3	LOCK#/ONCE#	AD4
AD7	B16	CAS6#	H1	LRDYRCV#	C19
AD8	C15	CAS7#	H2	LRST#	AD6
AD9	A15	CE0#	L3	MA0	C7
AD10	B15	CE1#	L1	MA1	A7
AD11	C14	D/C#/RST_MODE#	AF4	MA2	B7
AD12	A14	DACK#	AD3	MA3	C6
AD13	B14	DALE0	M1	MA4	B6
AD14	C13	DALE1	M2	MA5	C5
AD15	A13	DEN#	A23	MA6	A5
AD16	B13	DP0	C2	MA7	B5
AD17	C12	DP1	D3	MA8	C4
AD18	A12	DP2	D1	MA9	B4
AD19	B12	DP3	D2	MA10	C3
AD20	C11	DREQ#	AD2	MA11	B3
AD21	A11	DT/R#	B23	MSGFRM#	AC3
AD22	B11	DWE0#	K1	MWE0#	J3
AD23	C10	DWE1#	K2	MWE1#	J1
AD24	A10	FAIL#	AD5	MWE2#	J2
AD25	B10	HOLD	V1	MWE3#	K3
AD26	C9	HOLDA	V3	NC	A20
AD27	A9	ICEADS#	AC1	NC	AE4
AD28	B9	ICEBRK#	AA1	NC	B20
AD29	C8	ICEBUS0	V2	NC	C18
AD30	A8	ICEBUS1	W3	NMI#	T3
AD31	B8	ICEBUS2	W1	P_AD0	AD24
ADS#	B21	ICEBUS3	W2	P_AD1	AE23
ALE	C20	ICEBUS4	Y3	P_AD2	AF23
BE0#	A22	ICEBUS5	Y1	P_AD3	AD23
BE1#	B22	ICEBUS6	Y2	P_AD4	AE22
BE2#	C21	ICEBUS7	AA3	P_AD5	AF22
BE3#	A21	ICECLK	AB2	P_AD6	AD22



Table 12. 352-Lead HL-PBGA Package — Signal Name Order (Sheet 2 of 4)

Signal	Ball #	Signal	Ball #	Signal	Ball #
P_AD7	AE21	P_LOCK#	AD17	S_AD22	N25
P_AD8	AD21	P_PAR	AD18	S_AD23	M24
P_AD9	AE20	P_PERR#	AF17	S_AD24	L24
P_AD10	AF20	P_REQ#	AE8	S_AD25	L26
P_AD11	AD20	P_RST#	AE7	S_AD26	L25
P_AD12	AE19	P_SERR#	AE17	S_AD27	K24
P_AD13	AF19	P_STOP#	AE16	S_AD28	K26
P_AD14	AD19	P_TRDY#	AD16	S_AD29	K25
P_AD15	AE18	PICCLK	U3	S_AD30	J24
P_AD16	AE14	PICD0	T1	S_AD31	J26
P_AD17	AF14	PICD1	T2	S_C/BE0#	AA24
P_AD18	AD14	RAS0#	E3	S_C/BE1#	V24
P_AD19	AE13	RAS1#	E1	S_C/BE2#	R26
P_AD20	AF13	RAS2#	E2	S_C/BE3#	M25
P_AD21	AD13	RAS3#	F3	S_CLK	F25
P_AD22	AE12	RDYRCV#	B19	S_DEVSEL#	T24
P_AD23	AF12	S_AD0	AE24	S_FRAME#	R24
P_AD24	AF11	S_AD1	AD25	S_GNT0#/S_REQ#	H26
P_AD25	AD11	S_AD2	AC24	S_GNT1#	G24
P_AD26	AE10	S_AD3	AC26	S_GNT2#	G25
P_AD27	AF10	S_AD4	AC25	S_GNT3#	F26
P_AD28	AD10	S_AD5	AB24	S_GNT4#	E26
P_AD29	AE9	S_AD6	AB26	S_GNT5#	D24
P_AD30	AF9	S_AD7	AB25	S_IDSEL	M26
P_AD31	AD9	S_AD8	AA26	S_INTA#/XINT0#	N1
P_C/BE0#	AF21	S_AD9	AA25	S_INTB#/XINT1#	N2
P_C/BE1#	AF18	S_AD10	Y24	S_INTC#/XINT2#	P3
P_C/BE2#	AD15	S_AD11	Y26	S_INTD#/XINT3#	P1
P_C/BE3#	AE11	S_AD12	Y25	S_IRDY#	T25
P_DEVSEL#	AF16	S_AD13	W24	S_LOCK#	U26
P_FRAME#	AF15	S_AD14	W26	S_PAR	V26
P_GNT#	AF8	S_AD15	W25	S_PERR#	U24
P_IDSEL	AD12	S_AD16	R25	S_REQ0#/S_GNT#	H24
P_INTA#	AF6	S_AD17	P24	S_REQ1#	H25
P_INTB#	AE6	S_AD18	P26	S_REQ2#	G26
P_INTC#	AD7	S_AD19	P25	S_REQ3#	F24
P_INTD#	AF7	S_AD20	N24	S_REQ4#	E24
P_IRDY#	AE15	S_AD21	N26	S_REQ5#/S_ARB_EN	E25

Table 12. 352-Lead HL-PBGA Package — Signal Name Order (Sheet 3 of 4)

Signal	Ball #	Signal	Ball #	Signal	Ball #
S_RST#	J25	V <sub>CC</sub>	AF24	V <sub>SS</sub>	AA4
S_SERR#	V25	V <sub>CC</sub>	AF25	V <sub>SS</sub>	AB23
S_STOP#	U25	V <sub>CC</sub>	AF26	V <sub>SS</sub>	AC4
S_TRDY#	T26	V <sub>CC</sub>	B1	V <sub>SS</sub>	AC5
SCL	U1	V <sub>CC</sub>	B2	V <sub>SS</sub>	AC7
SDA	U2	V <sub>CC</sub>	B25	V <sub>SS</sub>	AC9
STEST	AE3	V <sub>CC</sub>	B26	V <sub>SS</sub>	AC11
TCK	B24	V <sub>CC</sub>	C1	V <sub>SS</sub>	AC13
TDI	D26	V <sub>CC</sub>	C26	V <sub>SS</sub>	AC15
TDO	D25	V <sub>CC</sub>	D5	V <sub>SS</sub>	AC17
TMS	C24	V <sub>CC</sub>	D7	V <sub>SS</sub>	AC19
TRST#	C25	V <sub>CC</sub>	D9	V <sub>SS</sub>	AC21
V <sub>CC</sub>	A1	V <sub>CC</sub>	D11	V <sub>SS</sub>	AC23
V <sub>CC</sub>	A2	V <sub>CC</sub>	D13	V <sub>SS</sub>	D4
V <sub>CC</sub>	A24	V <sub>CC</sub>	D15	V <sub>SS</sub>	D6
V <sub>CC</sub>	A25	V <sub>CC</sub>	D17	V <sub>SS</sub>	D8
V <sub>CC</sub>	A26	V <sub>CC</sub>	D19	V <sub>SS</sub>	D10
V <sub>CC</sub>	AA23	V <sub>CC</sub>	D21	V <sub>SS</sub>	D12
V <sub>CC</sub>	AB4	V <sub>CC</sub>	E23	V <sub>SS</sub>	D14
V <sub>CC</sub>	AC6	V <sub>CC</sub>	F4	V <sub>SS</sub>	D16
V <sub>CC</sub>	AC8	V <sub>CC</sub>	G23	V <sub>SS</sub>	D18
V <sub>CC</sub>	AC10	V <sub>CC</sub>	H4	V <sub>SS</sub>	D20
V <sub>CC</sub>	AC12	V <sub>CC</sub>	J23	V <sub>SS</sub>	D22
V <sub>CC</sub>	AC14	V <sub>CC</sub>	K4	V <sub>SS</sub>	D23
V <sub>CC</sub>	AC16	V <sub>CC</sub>	L23	V <sub>SS</sub>	E4
V <sub>CC</sub>	AC18	V <sub>CC</sub>	M4	V <sub>SS</sub>	F23
V <sub>CC</sub>	AC20	V <sub>CC</sub>	N23	V <sub>SS</sub>	G4
V <sub>CC</sub>	AC22	V <sub>CC</sub>	P4	V <sub>SS</sub>	H23
V <sub>CC</sub>	AD1	V <sub>CC</sub>	R23	V <sub>SS</sub>	J4
V <sub>CC</sub> /V <sub>SS</sub> (1)	AD8	V <sub>CC</sub>	T4	V <sub>SS</sub>	K23
V <sub>CC</sub>	AD26	V <sub>CC</sub>	U23	V <sub>SS</sub>	L4
V <sub>CC</sub>	AE1	V <sub>CC</sub>	V4	V <sub>SS</sub>	M23
V <sub>CC</sub>	AE2	V <sub>CC</sub>	W23	V <sub>SS</sub>	N4
V <sub>CC</sub>	AE25	V <sub>CC</sub>	Y4	V <sub>SS</sub>	P23
V <sub>CC</sub>	AE26	V <sub>CC5</sub>	A3	V <sub>SS</sub>	R4
V <sub>CC</sub>	AF1	V <sub>CCPLL1</sub>	A19	V <sub>SS</sub>	T23
V <sub>CC</sub>	AF2	V <sub>CCPLL2</sub>	A6	V <sub>SS</sub>	U4
V <sub>CC</sub>	AF3	V <sub>CCPLL3</sub>	A4	V <sub>SS</sub>	V23



Table 12. 352-Lead HL-PBGA Package — Signal Name Order (Sheet 4 of 4)

Signal	Ball #	Signal	Ball #	Signal	Ball #
V <sub>SS</sub>	W4	WIDTH/HLTD0	AF5	XINT6#	R1
V <sub>SS</sub>	Y23	WIDTH/HLTD1/RETRY	AE5	XINT7#	R2
W/R#	C22	XINT4#	P2		
WAIT#	N3	XINT5#	R3		

Table 13. 352-Lead HL-PBGA Pinout — Ballpad Number Order (Sheet 1 of 4)

Ball #	Signal	Ball #	Signal	Ball #	Signal
A1	V <sub>CC</sub>	B13	AD16	C25	TRST#
A2	V <sub>CC</sub>	B14	AD13	C26	V <sub>CC</sub>
A3	V <sub>CC5</sub>	B15	AD10	D1	DP2
A4	V <sub>CCPLL3</sub>	B16	AD7	D2	DP3
A5	MA6	B17	AD4	D3	DP1
A6	V <sub>CCPLL2</sub>	B18	AD1	D4	V <sub>SS</sub>
A7	MA1	B19	RDYRCV#	D5	V <sub>CC</sub>
A8	AD30	B20	NC	D6	V <sub>SS</sub>
A9	AD27	B21	ADS#	D7	V <sub>CC</sub>
A10	AD24	B22	BE1#	D8	V <sub>SS</sub>
A11	AD21	B23	DT/R#	D9	V <sub>CC</sub>
A12	AD18	B24	TCK	D10	V <sub>SS</sub>
A13	AD15	B25	V <sub>CC</sub>	D11	V <sub>CC</sub>
A14	AD12	B26	V <sub>CC</sub>	D12	V <sub>SS</sub>
A15	AD9	C1	V <sub>CC</sub>	D13	V <sub>CC</sub>
A16	AD6	C2	DP0	D14	V <sub>SS</sub>
A17	AD3	C3	MA10	D15	V <sub>CC</sub>
A18	AD0	C4	MA8	D16	V <sub>SS</sub>
A19	V <sub>CCPLL1</sub>	C5	MA5	D17	V <sub>CC</sub>
A20	NC	C6	MA3	D18	V <sub>SS</sub>
A21	BE3#	C7	MA0	D19	V <sub>CC</sub>
A22	BE0#	C8	AD29	D20	V <sub>SS</sub>
A23	DEN#	C9	AD26	D21	V <sub>CC</sub>
A24	V <sub>CC</sub>	C10	AD23	D22	V <sub>SS</sub>
A25	V <sub>CC</sub>	C11	AD20	D23	V <sub>SS</sub>
A26	V <sub>CC</sub>	C12	AD17	D24	S_GNT5#
B1	V <sub>CC</sub>	C13	AD14	D25	TDO
B2	V <sub>CC</sub>	C14	AD11	D26	TDI
B3	MA11	C15	AD8	E1	RAS1#
B4	MA9	C16	AD5	E2	RAS2#
B5	MA7	C17	AD2	E3	RAS0#
B6	MA4	C18	NC	E4	V <sub>SS</sub>
B7	MA2	C19	LRDYRCV#	E23	V <sub>CC</sub>
B8	AD31	C20	ALE	E24	S_REQ4#
B9	AD28	C21	BE2#	E25	S_REQ5#/S_ARB_EN
B10	AD25	C22	W/R#	E26	S_GNT4#
B11	AD22	C23	BLAST#	F1	CAS0#
B12	AD19	C24	TMS	F2	CAS1#

Table 13. 352-Lead HL-PBGA Pinout — Ballpad Number Order (Sheet 2 of 4)

Ball #	Signal	Ball #	Signal	Ball #	Signal
F3	RAS3#	L1	CE1#	R25	S_AD16
F4	V <sub>CC</sub>	L2	LEAF0#	R26	S_C/BE2#
F23	V <sub>SS</sub>	L3	CE0#	T1	PICD0
F24	S_REQ3#	L4	V <sub>SS</sub>	T2	PICD1
F25	S_CLK	L23	V <sub>CC</sub>	T3	NMI#
F26	S_GNT3#	L24	S_AD24	T4	V <sub>CC</sub>
G1	CAS3#	L25	S_AD26	T23	V <sub>SS</sub>
G2	CAS4#	L26	S_AD25	T24	S_DEVSEL#
G3	CAS2#	M1	DALE0	T25	S_IRDY#
G4	V <sub>SS</sub>	M2	DALE1	T26	S_TRDY#
G23	V <sub>CC</sub>	M3	LEAF1#	U1	SCL
G24	S_GNT1#	M4	V <sub>CC</sub>	U2	SDA
G25	S_GNT2#	M23	V <sub>SS</sub>	U3	PICCLK
G26	S_REQ2#	M24	S_AD23	U4	V <sub>SS</sub>
H1	CAS6#	M25	S_C/BE3#	U23	V <sub>CC</sub>
H2	CAS7#	M26	S_IDSEL	U24	S_PERR#
H3	CAS5#	N1	S_INTA#/XINT0#	U25	S_STOP#
H4	V <sub>CC</sub>	N2	S_INTB#/XINT1#	U26	S_LOCK#
H23	V <sub>SS</sub>	N3	WAIT#	V1	HOLD
H24	S_REQ0#/S_GNT#	N4	V <sub>SS</sub>	V2	ICEBUS0
H25	S_REQ1#	N23	V <sub>CC</sub>	V3	HOLDA
H26	S_GNT0#/S_REQ#	N24	S_AD20	V4	V <sub>CC</sub>
J1	MWE1#	N25	S_AD22	V23	V <sub>SS</sub>
J2	MWE2#	N26	S_AD21	V24	S_C/BE1#
J3	MWE0#	P1	S_INTD#/XINT3#	V25	S_SERR#
J4	V <sub>SS</sub>	P2	XINT4#	V26	S_PAR
J23	V <sub>CC</sub>	P3	S_INTC#/XINT2#	W1	ICEBUS2
J24	S_AD30	P4	V <sub>CC</sub>	W2	ICEBUS3
J25	S_RST#	P23	V <sub>SS</sub>	W3	ICEBUS1
J26	S_AD31	P24	S_AD17	W4	V <sub>SS</sub>
K1	DWE0#	P25	S_AD19	W23	V <sub>CC</sub>
K2	DWE1#	P26	S_AD18	W24	S_AD13
K3	MWE3#	R1	XINT6#	W25	S_AD15
K4	V <sub>CC</sub>	R2	XINT7#	W26	S_AD14
K23	V <sub>SS</sub>	R3	XINT5#	Y1	ICEBUS5
K24	S_AD27	R4	V <sub>SS</sub>	Y2	ICEBUS6
K25	S_AD29	R23	V <sub>CC</sub>	Y3	ICEBUS4
K26	S_AD28	R24	S_FRAME#	Y4	V <sub>CC</sub>

Table 13. 352-Lead HL-PBGA Pinout — Ballpad Number Order (Sheet 3 of 4)

Ball #	Signal	Ball #	Signal	Ball #	Signal
Y23	V <sub>SS</sub>	AC19	V <sub>SS</sub>	AE5	WIDTH/HLTD1/RETRY
Y24	S_AD10	AC20	V <sub>CC</sub>	AE6	P_INTB#
Y25	S_AD12	AC21	V <sub>SS</sub>	AE7	P_RST#
Y26	S_AD11	AC22	V <sub>CC</sub>	AE8	P_REQ#
AA1	ICEBRK#	AC23	V <sub>SS</sub>	AE9	P_AD29
AA2	ICEMSG#	AC24	S_AD2	AE10	P_AD26
AA3	ICEBUS7	AC25	S_AD4	AE11	P_C/BE3#
AA4	V <sub>SS</sub>	AC26	S_AD3	AE12	P_AD22
AA23	V <sub>CC</sub>	AD1	V <sub>CC</sub>	AE13	P_AD19
AA24	S_C/BE0#	AD2	DREQ#	AE14	P_AD16
AA25	S_AD9	AD3	DACK#	AE15	P_IRDY#
AA26	S_AD8	AD4	LOCK#/ONCE#	AE16	P_STOP#
AB1	ICEVLD#	AD5	FAIL#	AE17	P_SERR#
AB2	ICECLK	AD6	LRST#	AE18	P_AD15
AB3	ICELOCK#	AD7	P_INTC#	AE19	P_AD12
AB4	V <sub>CC</sub>	AD8	V <sub>CC</sub> /V <sub>SS</sub> (1)	AE20	P_AD9
AB23	V <sub>SS</sub>	AD9	P_AD31	AE21	P_AD7
AB24	S_AD5	AD10	P_AD28	AE22	P_AD4
AB25	S_AD7	AD11	P_AD25	AE23	P_AD1
AB26	S_AD6	AD12	P_IDSEL	AE24	S_AD0
AC1	ICEADS#	AD13	P_AD21	AE25	V <sub>CC</sub>
AC2	ICESEL#	AD14	P_AD18	AE26	V <sub>CC</sub>
AC3	MSGFRM#	AD15	P_C/BE2#	AF1	V <sub>CC</sub>
AC4	V <sub>SS</sub>	AD16	P_TRDY#	AF2	V <sub>CC</sub>
AC5	V <sub>SS</sub>	AD17	P_LOCK#	AF3	V <sub>CC</sub>
AC6	V <sub>CC</sub>	AD18	P_PAR	AF4	D/C#/RST_MODE#
AC7	V <sub>SS</sub>	AD19	P_AD14	AF5	WIDTH/HLTD0
AC8	V <sub>CC</sub>	AD20	P_AD11	AF6	P_INTA#
AC9	V <sub>SS</sub>	AD21	P_AD8	AF7	P_INTD#
AC10	V <sub>CC</sub>	AD22	P_AD6	AF8	P_GNT#
AC11	V <sub>SS</sub>	AD23	P_AD3	AF9	P_AD30
AC12	V <sub>CC</sub>	AD24	P_AD0	AF10	P_AD27
AC13	V <sub>SS</sub>	AD25	S_AD1	AF11	P_AD24
AC14	V <sub>CC</sub>	AD26	V <sub>CC</sub>	AF12	P_AD23
AC15	V <sub>SS</sub>	AE1	V <sub>CC</sub>	AF13	P_AD20
AC16	V <sub>CC</sub>	AE2	V <sub>CC</sub>	AF14	P_AD17
AC17	V <sub>SS</sub>	AE3	STEST	AF15	P_FRAME#
AC18	V <sub>CC</sub>	AE4	NC	AF16	P_DEVSEL#



Table 13. 352-Lead HL-PBGA Pinout — Ballpad Number Order (Sheet 4 of 4)

Ball #	Signal	Ball #	Signal	Ball #	Signal
AF17	P_PERR#	AF21	P_C/BE0#	AF25	V <sub>CC</sub>
AF18	P_C/BE1#	AF22	P_AD5	AF26	V <sub>CC</sub>
AF19	P_AD13	AF23	P_AD2		
AF20	P_AD10	AF24	V <sub>CC</sub>		

## 3.2 Package Thermal Specifications

The device is specified for operation when  $T_C$  (case temperature) is within the range of 0° C to 95° C. Case temperature may be measured in any environment to determine whether the processor is within specified operating range. Measure the case temperature at the center of the top surface, opposite the ballpad.

### 3.2.1 Thermal Specifications

This section defines the terms used for thermal analysis.

#### 3.2.1.1 Ambient Temperature

Ambient temperature,  $T_A$ , is the temperature of the ambient air surrounding the package. In a system environment, ambient temperature is the temperature of the air upstream from the package.

#### 3.2.1.2 Case Temperature

- To ensure functionality and reliability, the device is specified for proper operation when the case temperature,  $T_C$ , is within the specified range in [Table 16, “Operating Conditions” on page 44](#).
- When measuring case temperature, attention to detail is required to ensure accuracy. If a thermocouple is used, calibrate it before taking measurements. Errors may result when the measured surface temperature is affected by the surrounding ambient air temperature. Such errors may be due to a poor thermal contact between thermocouple junction and the surface, heat loss by radiation, or conduction through thermocouple leads.
- To minimize measurement errors:
  - Use a 35 gauge K-type thermocouple or equivalent.
  - Attach the thermocouple bead or junction to the package top surface at a location corresponding to the center of the die ([Figure 5](#)). The center of the die gives a more accurate measurement and less variation as the boundary condition changes.
  - Attach the thermocouple bead or junction at a 90° angle by an adhesive bond (such as thermal epoxy or heat-tolerant tape) to the package top surface as shown in [Figure 5](#). When a heat sink is attached, drill a hole through the heat sink to allow contact with the package above the center of the die. The hole diameter should be no larger than 3.8 mm as shown in [Figure 6](#).

**Figure 5. Thermocouple Attachment - No Heat Sink**

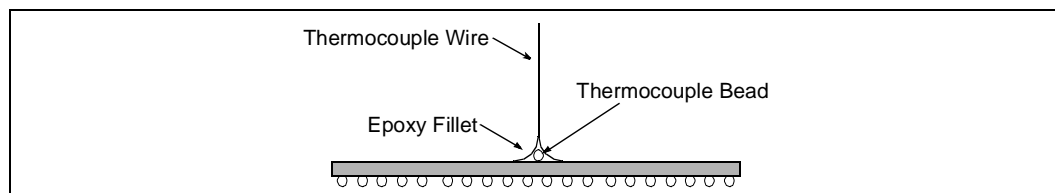
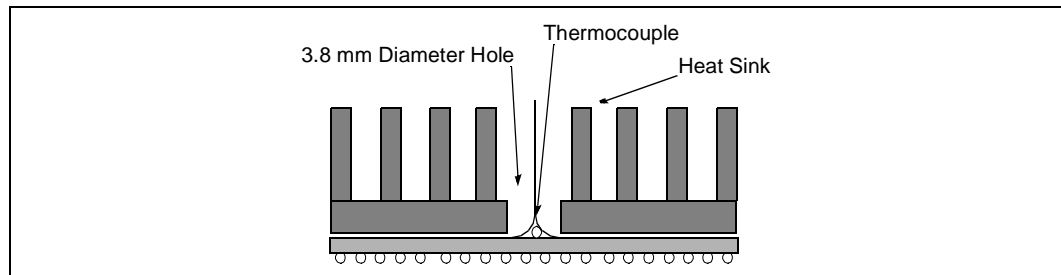




Figure 6. Thermocouple Attachment - With Heat Sink



### 3.2.1.3 Thermal Resistance

The thermal resistance value for the case-to-ambient,  $\theta_{CA}$ , is used as a measure of the cooling solution thermal performance.

### 3.2.2 Thermal Analysis

This thermal analysis is based on the following assumptions:

- Power dissipation is a constant 5 W.
- Maximum case temperature is 95° C.

Table 14 lists the case-to-ambient thermal resistances of the 80960RP for different air flow rates with and without a heat sink.

To calculate  $T_A$ , the maximum ambient temperature to conform to a particular case temperature:

$$T_A = T_C - P (\theta_{CA})$$

Compute P by multiplying  $I_{CC}$  and  $V_{CC}$ . Values for  $\theta_{JC}$  and  $\theta_{CA}$  are given in Table 14.

Junction temperature ( $T_J$ ) is commonly used in reliability calculations.  $T_J$  can be calculated from  $\theta_{JC}$  (thermal resistance from junction to case) using the following equation:

$$T_J = T_C + P (\theta_{JC})$$

Similarly, when  $T_A$  is known, the corresponding case temperature ( $T_C$ ) can be calculated as follows:

$$T_C = T_A + P (\theta_{CA})$$

The  $\theta_{JA}$  (Junction to Ambient) for this package is currently estimated at 9.74° C/Watt with no airflow.

$$\theta_{JA} = \theta_{JC} + \theta_{CA}$$

**Table 14. 352-Lead HL-PBGA Package Thermal Characteristics**

Thermal Resistance — °C/Watt								
Parameter	Airflow — ft./min (m/sec)							
	0 (0)	50 (0.25)	100 (0.50)	200 (1.01)	300 (1.52)	400 (2.03)	600 (3.04)	800 (4.06)
$\theta_{JC}$ (Junction-to-Case)	0.60	0.60	0.60	0.60	0.60	0.60	0.60	0.60
$\theta_{CA}$ (Case-to-Ambient) Without Heatsink	9.14	7.64	6.58	6.11	5.79	5.61	5.49	5.47
$\theta_{CA}$ (Case-to-Ambient) With Heatsink <sup>2</sup>	7.31	6.00	5.21	4.80	4.52	4.37	4.26	4.23

**NOTES:NOTES:**

1. This table applies to a HL-PBGA device soldered directly onto a board.
2. See Table 15 for heatsink information.

### 3.3 Sources for Heatsinks and Accessories

The following is a list of suggested sources for heatsinks and accessories. This is neither an endorsement nor a warranty of the performance of any of the listed products and/or companies.

**Table 15. Heat Sink Vendors and Contacts**

Company	Factory Representative	Phone #	Fax #	Heatsink Part #
				Passive
AAVID Thermalloy, Inc 80 Commercial Street Concord, NH 03301 USA info@aavid.com <a href="http://www.aavidthermalloy.com/atp/atp.html">http://www.aavidthermalloy.com/atp/atp.html</a>	Attention: Sales	(603) 224-9988	(603) 223-1790	21933B without thermal grease (uses pins) 21935B without thermal grease (uses pins)
Parker Chromerics 77 Dragon Court Woburn, MA 01888	Attention: Sales	(617) 935-4850	(617) 933-4318	T705

## 4.0 Electrical Specifications

### 4.1 Absolute Maximum Ratings

Parameter	Maximum Rating	NOTICE: This data sheet contains information on products in the sampling and initial production phases of development. The specifications are subject to change without notice. Contact your local Intel representative before finalizing a design.
Storage Temperature	-55° C to + 125° C	
Case Temperature Under Bias	0° C to + 95° C	
Supply Voltage wrt. V <sub>SS</sub>	-0.5 V to + 4.6 V	
Supply Voltage wrt. V <sub>SS</sub> on V <sub>CC5</sub>	-0.5 V to + 6.5 V	
Voltage on Any Ball wrt. V <sub>SS</sub>	-0.5 V to V <sub>CC</sub> + 0.5 V	

**WARNING:** Stressing the device beyond the “Absolute Maximum Ratings” may cause permanent damage. These are stress ratings only. Operation beyond the “Operating Conditions” is not recommended and extended exposure beyond the “Operating Conditions” may affect device reliability.

Table 16. Operating Conditions

Symbol	Parameter	Min	Max	Units	Notes
V <sub>CC</sub>	Supply Voltage	3.0	3.6	V	
V <sub>CC5</sub>	Input Protection Bias	3.0	5.25	V	
F <sub>S_CLK</sub>	Input Clock Frequency	16	33.33	MHz	
T <sub>C</sub>	Case Temperature Under Bias GC80960RX (352 HL-PBGA)	0	95	°C	

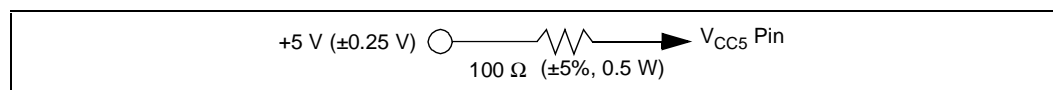
## 4.2 V<sub>CC5</sub> Pin Requirements (V<sub>DIFF</sub>)

In mixed voltage systems that drive 80960RX processor inputs in excess of 3.3 V, the V<sub>CC5</sub> pin must be connected to the system 5 V supply. To limit current flow into the V<sub>CC5</sub> pin, there is a limit to the voltage differential between the V<sub>CC5</sub> pin and the other V<sub>CC</sub> pins. The voltage differential between the 80960RX V<sub>CC5</sub> pin and its 3.3 V V<sub>CC</sub> pins should never exceed 2.25 V. This limit applies to power-up, power-down, and steady-state operation. Table 17 outlines this requirement.

Meeting this requirement ensures proper operation and guarantees that the current draw into the V<sub>CC5</sub> pin does not exceed the I<sub>CC5</sub> specification.

If the voltage difference requirements cannot be met due to system design limitations, an alternate solution may be employed. As shown in Figure 7, a minimum of 100 Ω series resistor may be used to limit the current into the V<sub>CC5</sub> pin. This resistor ensures that current drawn by the V<sub>CC5</sub> pin does not exceed the maximum rating for this pin.

Figure 7. V<sub>CC5</sub> Current-Limiting Resistor



This resistor is not necessary in systems that can guarantee the V<sub>DIFF</sub> specification.

In 3.3 V-only systems and systems that drive 80960RX pins from 3.3 V logic, connect the V<sub>CC5</sub> pin directly to the 3.3 V V<sub>CC</sub> plane.

Table 17. V<sub>DIFF</sub> Specification for Dual Power Supply Requirements (3.3 V, 5 V)

Symbol	Parameter	Min	Max	Units	Notes
V <sub>DIFF</sub>	V <sub>CC5</sub> -V <sub>CC</sub> Difference		2.25	V	V <sub>CC5</sub> input should not exceed V <sub>CC</sub> by more than 2.25 V during power-up and power-down, or during steady-state operation.

## 4.3 Targeted DC Specifications

Table 18. DC Characteristics

Symbol	Parameter	Min	Max	Units	Notes
V <sub>IL</sub>	Input Low Voltage	-0.5	0.8	V	(1)
V <sub>IH1</sub>	Input High Voltage for all signals except SCLK	2.0	V <sub>CC</sub> + 0.5	V	(1)
V <sub>IH2</sub>	Input High Voltage for SCLK	2.1	V <sub>CC</sub> + 0.5	V	(1)
V <sub>OL1</sub>	Output Low Voltage Processor signals		0.45	V	I <sub>OL</sub> = 6 mA (3)
V <sub>OH1</sub>	Output High Voltage Processor signals	2.4 V <sub>CC</sub> - 0.5		V	I <sub>OH</sub> = -2 mA (3) I <sub>OH</sub> = -200 μA (3)
V <sub>OL2</sub>	Output Low Voltage PCI signals		0.55	V	I <sub>OL</sub> = 6 mA (1)
V <sub>OH2</sub>	Output High Voltage PCI signals	2.4		V	I <sub>OH</sub> = -2 mA (1)
V <sub>OL3</sub>	Output Low Voltage Memory Controller Normal drive		0.45	V	I <sub>OL</sub> = 6 mA (4)
V <sub>OH3</sub>	Output High Voltage Memory Controller Normal drive	2.4		V	I <sub>OH</sub> = -2 mA (4)
V <sub>OL4</sub>	Output Low Voltage Memory Controller High Drive		0.45	V	I <sub>OL</sub> = 7 mA
V <sub>OH4</sub>	Output High Voltage Memory Controller High Drive	2.4		V	I <sub>OH</sub> = -2 mA
V <sub>OL5</sub>	Output Low Voltage APIC Data Lines		0.45	V	I <sub>OL</sub> = 10 mA
C <sub>IN</sub>	Input Capacitance - HL-PBGA		10	pF	F <sub>S_CLK</sub> = T <sub>F</sub> Min (1, 2)
C <sub>OUT</sub>	I/O or Output Capacitance - HL-PBGA		10	pF	F <sub>S_CLK</sub> = T <sub>F</sub> Min (1, 2)
C <sub>CLK</sub>	S_CLK Capacitance - HL-PBGA	5	12	pF	F <sub>S_CLK</sub> = T <sub>F</sub> Min (1, 2)
C <sub>IDSEL</sub>	IDSEL Ball Capacitance		8	pF	(1)
L <sub>PIN</sub>	Ball Inductance		20	nH	(1)

**NOTES:**

1. As required by the *PCI Local Bus Specification*, Revision 2.1.
2. Not tested.
3. Processor signals include **AD31:0**, **ALE**, **ADS#**, **BE3:0#**, **WIDTH/HLTD0**, **WIDTH/HLTD1/RETRY**, **D/C#/RST\_MODE#**, **W/R#**, **DT/R#**, **DEN#**, **BLAST#**, **LRDYRCV#**, **LOCK#/ONCE#**, **HOLD**, **FAIL#**, **TDO**, **DACK#**, **WAIT#**, **SDA**, **SCL**.
4. Memory Controller signals include **MA11:0**, **DP3:0**, **RAS3:0#**, **CAS7:0#**, **MWE3:0#**, **DWE1:0#**, **DALE1:0**, **CE1:0#**, **LEAF1:0#**.
5. Memory Controller signals capable of high drive are **MA11:0**, **CAS7:0#**, **RAS3:0#**, **DWE1:0#**.

Table 19. I<sub>CC</sub> Characteristics

Symbol	Parameter	Typ	Max	Units	Notes
I <sub>LI1</sub>	Input Leakage Current for each signal except PCI Bus Signals, <b>LOCK#/ONCE#, WIDTH/HLTD0, WIDTH/HLTD1/RETRY, BLAST#, D/C#/RST_MODE#, DEN#, TMS, TRST#, TDI</b>		± 80	μA	0 ≤ V <sub>IN</sub> ≤ V <sub>CC</sub>
I <sub>LI2</sub>	Input Leakage Current for <b>LOCK#/ONCE#, WIDTH/HLTD0, WIDTH/HLTD1/RETRY, BLAST#, D/C#/RST_MODE#, DEN#, TMS, TRST#, TDI</b>	-140	-250	μA	V <sub>IN</sub> = 0.45 V (1)
I <sub>LI3</sub>	Input Leakage Current for PCI Bus Signals		± 5	μA	0 ≤ V <sub>IN</sub> ≤ V <sub>CC</sub>
I <sub>LO</sub>	Output Leakage Current		± 5	μA	0.4 ≤ V <sub>OUT</sub> ≤ V <sub>CC</sub>
I <sub>CC</sub> Active (Power Supply)	Power Supply Current 80960RP 33/3.3 80960RD 66/3.3		1.00 1.30	A	(1,2)
I <sub>CC</sub> Active (Thermal)	Thermal Current 80960RP 33/3.3 80960RD 66/3.3	0.75 0.95		A	(1,3)
I <sub>CC</sub> Active (Power Modes)	Reset Mode 80960RP 33/3.3 80960RD 66/3.3  ONCE Mode 80960RP 33/3.3 80960RD 66/3.3		0.65 0.80  0.02 0.02	A	(4) (4)

**NOTES:**

1. Measured with device operating and outputs loaded to the test condition in [Figure 8](#).
2. I<sub>CC</sub> Active (Power Supply) value is provided for selecting your system power supply. It is measured using one of the worst case instruction mixes with V<sub>CC</sub> = 3.6 V and ambient temperature = 55 ° C. This parameter is characterized but not tested.
3. I<sub>CC</sub> Active (Thermal) value is provided for your system thermal management. Typical I<sub>CC</sub> is measured with V<sub>CC</sub> = 3.3 V and ambient temperature = 55 ° C. This parameter is characterized but not tested.
4. I<sub>CC</sub> Active (Power modes) refers to the I<sub>CC</sub> values that are tested when the device is in Reset mode or ONCE mode with V<sub>CC</sub> = 3.6 V and ambient temperature = 55 ° C.

## 4.4 Targeted AC Specifications

Table 20. Input Clock Timings

Symbol	Parameter	Min	Max	Units	Notes
$T_F$	<b>S_CLK</b> Frequency	16	33.33	MHz	
$T_C$	<b>S_CLK</b> Period	30	62.5	ns	(1)
$T_{CS}$	<b>S_CLK</b> Period Stability		±250	ps	Adjacent Clocks (2,3)
$T_{CH}$	<b>S_CLK</b> High Time	12		ns	Measured at 1.5 V (2,3)
$T_{CL}$	<b>S_CLK</b> Low Time	12		ns	Measured at 1.5 V (2,3)
$T_{CR}$	<b>S_CLK</b> Rise Time		4	V/ns	0.4 V to 2.4 V (2,3)
$T_{CF}$	<b>S_CLK</b> Fall Time		4	V/ns	2.4 V to 0.4 V (2,3)

**NOTES:**

1. See [Figure 9](#).
2. To ensure a 1:1 relationship between the amplitude of the input jitter and the internal clock, the jitter frequency spectrum should not have any power peaking between 500 KHz and 1/3 of the **S\_CLK** frequency.
3. Not tested.

Table 21. Synchronous Output Timings

Symbol	Parameter	Min	Max	Units	Notes
$T_{OV1}$	Output Valid Delay - All Local Bus Signals Except <b>ALE</b> Inactive and <b>DT/R#</b>	3	15.5	ns	(1,2,5)
$T_{OV2}$	Output Valid Delay, <b>DT/R#</b>	$0.5 T_C + 3$	$0.5 T_C + 15$	ns	(2,5)
$T_{OV3}$	Output Valid Delay - PCI Signals Except <b>P_REQ#</b> , <b>S_GNT0#/S_REQ#</b> , and <b>S_GNT5:1#</b>	2	11	ns	(2,5)
$T_{OV4}$	Output Valid Delay <b>P_REQ#</b> , <b>S_GNT0#/S_REQ#</b> , and <b>S_GNT5:1#</b>	2	12	ns	(2,5)
$T_{OV5}$	Output Valid Delay - <b>DP3:0</b>	3	19	ns	(2,5)
$T_{OF}$	Output Float Delay	3	13	ns	(3,4,5)

**NOTES:**

1. Inactive **ALE** refers to the falling edge of **ALE**. For inactive **ALE** timings, see [Table 23, "Relative Output Timings" on page 50](#).
2. See [Figure 10, "T<sub>OV</sub> Output Delay Waveform" on page 55](#).
3. A float condition occurs when the output current becomes less than  $I_{LO}$ . Float delay is not tested, but is designed to be no longer than the valid delay.
4. See [Figure 11, "T<sub>OF</sub> Output Float Waveform" on page 56](#).
5. Outputs precharged to  $V_{CC5}$  maximum.



Table 22. Synchronous Input Timings

Sym	Parameter	Min	Max	Units	Notes
T <sub>IS1</sub>	Input Setup to <b>S_CLK</b> — <b>NMI#</b> , <b>XINT7:4#</b> , <b>S_INT[A:D]#/XINT3:0#</b> , <b>DP3:0#</b>	6		ns	(1,2)
T <sub>IS1A</sub>	Input Setup to <b>S_CLK</b> — for all accesses except Expansion ROM Accesses — <b>AD31:0</b> only	6		ns	(1,2)
T <sub>IS1B</sub>	Input Setup to <b>S_CLK</b> during Expansion ROM Accesses — <b>AD31:0</b> only	8		ns	(1,2)
T <sub>IH1</sub>	Input Hold from <b>S_CLK</b> — <b>AD31:0</b> , <b>NMI#</b> , <b>XINT7:4#</b> , <b>S_INT[A:D]#/XINT3:0#</b> , <b>DP3:0#</b>	2		ns	(1,2,4)
T <sub>IS2</sub>	Input Setup to <b>S_CLK</b> — <b>RDYRCV#</b> and <b>HOLD</b>	10		ns	(2)
T <sub>IH2</sub>	Input Hold from <b>S_CLK</b> — <b>RDYRCV#</b> and <b>HOLD</b>	2		ns	(2)
T <sub>IS3</sub>	Input Setup to <b>S_CLK</b> — <b>LOCK#/ONCE#</b> , <b>STEST</b>	7		ns	(1,2)
T <sub>IH3</sub>	Input Hold from <b>S_CLK</b> — <b>LOCK#/ONCE#</b> , <b>STEST</b>	3		ns	(1,2)
T <sub>IS4</sub>	Input Setup to <b>S_CLK</b> — <b>DREQ#</b>	12		ns	(2)
T <sub>IH4</sub>	Input Hold from <b>S_CLK</b> — <b>DREQ#</b>	7		ns	(2)
T <sub>IS5</sub>	Input Setup to <b>S_CLK</b> — PCI Signals Except <b>P_GNT#</b> , <b>S_REQ0#/S_GNT#</b> , and <b>S_REQ5:1#</b>	7		ns	(2)
T <sub>IH5</sub>	Input Hold from <b>S_CLK</b> — PCI Signals	0		ns	(2,4)
T <sub>IS6</sub>	Input Setup to <b>S_CLK</b> — <b>P_RST#</b>	6		ns	(2,3)
T <sub>IH6</sub>	Input Hold to <b>S_CLK</b> — <b>P_RST#</b>	2		ns	(2,3)
T <sub>IS7</sub>	Input Setup to <b>S_CLK</b> — <b>P_GNT#</b>	10		ns	(2)
T <sub>IS8</sub>	Input Setup to <b>S_CLK</b> — <b>S_REQ0#/S_GNT#</b> and <b>S_REQ5:1#</b>	12		ns	(2)
T <sub>IS9</sub>	Input Setup to <b>P_RST#</b> — <b>WIDTH/HLTD0</b> , <b>WIDTH/HLTD1/RETRY</b> , <b>D/C#/RST_MODE#</b>	7		ns	(1,2,4)
T <sub>IH9</sub>	Input Hold from <b>P_RST#</b> — <b>WIDTH/HLTD0</b> , <b>WIDTH/HLTD1/RETRY</b> , <b>D/C#/RST_MODE#</b>	3		ns	(1,2,4)

**NOTES:**

- Setup and hold times must be met for proper processor operation. **NMI#**, **XINT7:4#**, and **S\_INT[A:D]#/XINT3:0#** may be synchronous or asynchronous. Meeting setup and hold time guarantees recognition at a particular clock edge.  
For asynchronous operation, **NMI#**, **XINT7:4#**, and **S\_INT[A:D]#/XINT3:0#** must be asserted for a minimum of two **S\_CLK** periods to guarantee recognition.
- See Figure 12, "T<sub>IS</sub> and T<sub>IH</sub> Input Setup and Hold Waveform" on page 56.
- P\_RST#** may be synchronous or asynchronous. Meeting setup and hold time guarantees recognition at a particular clock edge.
- Guaranteed by design. May not be 100% tested.

#### 4.4.1 Relative Output Timings

Table 23. Relative Output Timings

Symbol	Parameter	Min	Max	Units	Notes
$T_{LXL}$	ALE Width	$0.5T_{C-3}$		ns	(1,2,4)
$T_{LXA}$	Address Hold from ALE Inactive	$0.5T_{C-3}$		ns	Equal Loading (1,2,4)
$T_{DXD}$	DT/R# Valid to DEN# Active	$0.5T_{C-3}$		ns	Equal Loading (1,3,4)

**NOTES:**

1. Guaranteed by design. May not be 100% tested.
2. See Figure 13, “ $T_{LXL}$  and  $T_{LXA}$  Relative Timings Waveform” on page 57.
3. See Figure 14, “DT/R# and DEN# Timings Waveform” on page 57.
4. Outputs precharged to  $V_{CC5}$  maximum.

#### 4.4.2 Memory Controller Relative Output Timings

Table 24. Fast Page Mode Non-interleaved DRAM Output Timings

Symbol	Description	Min	Max	Units	Notes
$T_{OV6}$	RAS3:0# Rising and Falling edge Output Valid Delay	2	9	ns	2
$T_{OV7}$	CAS7:0# Rising Edge Output Valid Delay	2	8	ns	2
$T_{OV8}$	CAS7:0# Falling Edge Output Valid Delay	$0.5T_c+2$	$0.5T_c+8$	ns	1,2
$T_{OV9}$	MA11:0 Output Valid Delay-Row Address	$0.5T_c+2$	$0.5T_c+10$	ns	1,2
$T_{OV10}$	MA11:0 Output Valid Delay-Column Address	2	10	ns	2
$T_{OV11}$	DWE1:0# Rising and Falling edge Output Valid Delay	2	11	ns	2

**NOTES:**

1. Signal generated on the rising edge of an internally generated 2XCLK which corresponds to the center of an  $S\_CLK$  period. For testing purposes, the signal is specified relative to the rising edge of  $S\_CLK$  with the  $0.5T_c$  period offset.
2. Output switching between  $V_{CC3}$  maximum and  $V_{SS}$ .

Table 25. Fast Page Mode Interleaved DRAM Output Timings (Sheet 1 of 2)

Symbol	Description	Min	Max	Units	Notes
$T_{OV12}$	RAS3:0# Rising and Falling edge Output Valid Delay	2	9	ns	2
$T_{OV13}$	CAS7:0# Rising Edge Output Valid Delay	2	8	ns	2
$T_{OV14}$	CAS7:0# Falling Edge Output Valid Delay	$0.5T_c+2$	$0.5T_c+8$	ns	1,2
$T_{OV15}$	MA11:0 Output Valid Delay-Row Address	$0.5T_c+2$	$0.5T_c+10$	ns	1,2
$T_{OV16}$	MA11:0 Output Valid Delay-Column Address	2	10	ns	2
$T_{OV17}$	DWE1:0# Rising and Falling Edge Output Valid Delay	2	11	ns	2
$T_{OV18}$	DALE1:0 Initial Falling Edge Output Valid Delay	2	10	ns	2

**NOTES:**

1. Signal generated on the rising edge of an internally generated 2XCLK which corresponds to the center of an  $S\_CLK$  period. For testing purposes, the signal is specified relative to the rising edge of  $S\_CLK$  with the  $0.5T_c$  period offset.
2. Output switching between  $V_{CC3}$  maximum and  $V_{SS}$ .

**Table 25. Fast Page Mode Interleaved DRAM Output Timings (Sheet 2 of 2)**

Symbol	Description	Min	Max	Units	Notes
T <sub>OV19</sub>	<b>DALE1:0</b> Burst Falling Edge Output Valid Delay	0.5Tc+2	0.5Tc+10	ns	1,2
T <sub>OV20</sub>	<b>DALE1:0</b> Rising Edge Output Valid Delay	2	10	ns	2
T <sub>OV21</sub>	<b>LEAF1:0#</b> Rising and Falling Edge Output Valid Delay	2	10	ns	2

**NOTES:**

1. Signal generated on the rising edge of an internally generated 2XCLK which corresponds to the center of an **S\_CLK** period. For testing purposes, the signal is specified relative to the rising edge of **S\_CLK** with the 0.5Tc period offset.
2. Output switching between V<sub>CC3</sub> maximum and V<sub>SS</sub>.

**Table 26. EDO DRAM Output Timings**

Symbol	Description	Min	Max	Units	Notes
T <sub>OV22</sub>	<b>RAS3:0#</b> Rising and Falling Edge Output Valid Delay	2	9	ns	2
T <sub>OV23</sub>	<b>CAS7:0#</b> Rising Edge Output Valid Delay - Read Cycles	0.5Tc+2	0.5Tc+8	ns	1,2
T <sub>OV24</sub>	<b>CAS7:0#</b> Falling Edge Output Valid Delay - Read Cycles	2	8	ns	2
T <sub>OV25</sub>	<b>CAS7:0#</b> Rising Edge Output Valid Delay - Write Cycles	2	8	ns	2
T <sub>OV26</sub>	<b>CAS7:0#</b> Falling Edge Output Valid Delay - Write Cycles	0.5Tc+2	0.5Tc+8	ns	1,2
T <sub>OV27</sub>	<b>MA11:0</b> Output Valid Delay - Row Address	0.5Tc+2	0.5Tc+10	ns	1,2
T <sub>OV28</sub>	<b>MA11:0</b> Output Valid Delay - Column Address Read Cycles	0.5Tc+2	0.5Tc+10	ns	1,2
T <sub>OV29</sub>	<b>MA11:0</b> Output Valid Delay - Column Address Write Cycles	2	10	ns	2
T <sub>OV30</sub>	<b>DWE1:0#</b> Rising and Falling Edge Output Valid Delay	2	11	ns	2

**NOTES:**

1. Signal generated on the rising edge of an internally generated 2XCLK which corresponds to the center of an **S\_CLK** period. For testing purposes, the signal is specified relative to the rising edge of **S\_CLK** with the 0.5Tc period offset.
2. Output switching between V<sub>CC3</sub> maximum and V<sub>SS</sub>.

**Table 27. BEDO DRAM Output Timings (Sheet 1 of 2)**

Symbol	Description	Min	Max	Units	Notes
T <sub>OV31</sub>	<b>RAS3:0#</b> Rising and Falling Edge Output Valid Delay	2	9	ns	2
T <sub>OV32</sub>	<b>CAS7:0#</b> Rising Edge Output Valid Delay - Read Cycles	0.5Tc+2	0.5Tc+8	ns	1,2
T <sub>OV33</sub>	<b>CAS7:0#</b> Falling Edge Output Valid Delay - Read Cycles	2	8	ns	2
T <sub>OV34</sub>	<b>CAS7:0#</b> Rising Edge Output Valid Delay - Write Cycles	2	8	ns	2
T <sub>OV35</sub>	<b>CAS7:0#</b> Falling Edge Output Valid Delay - Write Cycles	0.5Tc+2	0.5Tc+8	ns	1,2
T <sub>OV36</sub>	<b>MA11:0</b> Output Valid Delay - Row Address	0.5Tc+2	0.5Tc+10	ns	1,2
T <sub>OV37</sub>	<b>MA11:0</b> Output Valid Delay - Column Address Read Cycles	0.5Tc+2	0.5Tc+10	ns	1,2

**Table 27. BEDO DRAM Output Timings (Sheet 2 of 2)**

T <sub>OV38</sub>	<b>MA11:0</b> Output Valid Delay - Column Address Write Cycles	2	10	ns	2
T <sub>OV39</sub>	<b>DWE1:0#</b> Rising and Falling Edge Output Valid Delay	2	11	ns	2

**NOTES:**

1. Signal generated on the rising edge of an internally generated 2XCLK which corresponds to the center of an **S\_CLK** period. For testing purposes, the signal is specified relative to the rising edge of **S\_CLK** with the 0.5Tc period offset.
2. Output switching between V<sub>CC3</sub> maximum and V<sub>SS</sub>.

**Table 28. SRAM/ROM Output Timings**

Symbol	Description	Min	Max	Units	Notes
T <sub>OV40</sub>	<b>CE1:0#</b> Rising and Falling Edge Output Valid Delay	2	8	ns	2
T <sub>OV41</sub>	<b>MWE3:0#</b> Rising Edge Output Valid Delay	1	9	ns	2
T <sub>OV42</sub>	<b>MWE3:0#</b> Falling Edge Output Valid Delay	0.5Tc +1	0.5Tc +9	ns	1,2
T <sub>OV43</sub>	<b>MA11:0</b> Output Valid Delay - Initial Address	0.5Tc +2	0.5Tc +10	ns	2
T <sub>OV44</sub>	<b>MA11:0</b> Output Valid Delay - Burst Address	2	10	ns	2

**NOTES:**

1. Signal generated on the rising edge of an internally generated 2XCLK which corresponds to the center of an **S\_CLK** period. For testing purposes, the signal is specified relative to the rising edge of **S\_CLK** with the 0.5Tc period offset.
2. Output switching between V<sub>CC3</sub> maximum and V<sub>SS</sub>.

### 4.4.3 Boundary Scan Test Signal Timings

**Table 29. Boundary Scan Test Signal Timings (Sheet 1 of 2)**

Symbol	Parameter	Min	Max	Units	Notes
T <sub>BSF</sub>	<b>TCK</b> Frequency	0	0.5T <sub>F</sub>	MHz	
T <sub>BSCH</sub>	<b>TCK</b> High Time	15		ns	Measured at 1.5 V (1)
T <sub>BSCL</sub>	<b>TCK</b> Low Time	15		ns	Measured at 1.5 V (1)
T <sub>BSCR</sub>	<b>TCK</b> Rise Time		5	ns	0.8 V to 2.0 V (1)
T <sub>BSCF</sub>	<b>TCK</b> Fall Time		5	ns	2.0 V to 0.8 V (1)
T <sub>BSIS1</sub>	Input Setup to <b>TCK</b> — <b>TDI</b> , <b>TMS</b>	4		ns	
T <sub>BSIH1</sub>	Input Hold from <b>TCK</b> — <b>TDI</b> , <b>TMS</b>	6		ns	
T <sub>BSOV1</sub>	<b>TDO</b> Valid Delay	3	30	ns	Relative to falling edge of <b>TCK</b> (2)
T <sub>BSOF1</sub>	<b>TDO</b> Float Delay	3	30	ns	Relative to falling edge of <b>TCK</b> (2)
T <sub>BSOV2</sub>	All Outputs (Non-Test) Valid Delay	3	30	ns	Relative to falling edge of <b>TCK</b> (2)

**NOTES:**

1. Not tested.
2. Outputs precharged to V<sub>CC5</sub> maximum.

Table 29. Boundary Scan Test Signal Timings (Sheet 2 of 2)

Symbol	Parameter	Min	Max	Units	Notes
T <sub>BSOF2</sub>	All Outputs (Non-Test) Float Delay	3	30	ns	Relative to falling edge of TCK (2)
T <sub>BSIS2</sub>	Input Setup to TCK — All Inputs (Non-Test)	4		ns	
T <sub>BSIH2</sub>	Input Hold from TCK — All Inputs (Non-Test)	6		ns	

**NOTES:**

1. Not tested.
2. Outputs precharged to V<sub>CC5</sub> maximum.

#### 4.4.4 APIC Bus Interface Signal Timings

Table 30. APIC Bus Interface Signal Timings

Symbol	Parameter	Min	Max	Units	Notes
T <sub>APF</sub>	PICCLK Frequency	2	16.66	MHz	
T <sub>APC</sub>	PICCLK Period	60	500	ns	
T <sub>APCH</sub>	PICCLK High Time	9		ns	
T <sub>APCL</sub>	PICCLK Low Time	9		ns	
T <sub>APCR</sub>	PICCLK Rise Time	1	5	ns	(1)
T <sub>APCF</sub>	PICCLK Fall Time	1	5	ns	(1)
T <sub>APIS1</sub>	Input Setup to PICCLK — PICD1:0	3		ns	
T <sub>APIH1</sub>	Input Hold from PICCLK — PICD1:0	2.5		ns	
T <sub>APOF</sub>	Output Float Delay from PICCLK — PICD1:0	4	16	ns	(1)
T <sub>APOVI</sub>	Output Valid Delay from PICCLK — PICD1:0 (High to Low)	4	22	ns	

**NOTE:**

1. Not tested.

## 4.4.5 I<sup>2</sup>C Interface Signal Timings

Table 31. I<sup>2</sup>C Interface Signal Timings

Symbol	Parameter	Std. Mode		Fast Mode		Unit	Notes
		Min	Max	Min	Max		
F <sub>SCL</sub>	<b>SCL</b> Clock Frequency	0	100	0	400	KHz	
T <sub>BUF</sub>	Bus Free Time Between STOP and START Condition	4.7		1.3		μs	(1)
T <sub>HDSTA</sub>	Hold Time (repeated) START Condition	4		0.6		μs	(1,3)
T <sub>LOW</sub>	<b>SCL</b> Clock Low Time	4.7		1.3		μs	(1,2)
T <sub>HIGH</sub>	<b>SCL</b> Clock High Time	4		0.6		μs	(1,2)
T <sub>SUSTA</sub>	Setup Time for a Repeated START Condition	4.7		0.6		μs	(1)
T <sub>HDDAT</sub>	Data Hold Time	0		0	0.9	μs	(1)
T <sub>SUDAT</sub>	Data Setup Time	250		100		ns	(1)
T <sub>R</sub>	<b>SCL</b> and <b>SDA</b> Rise Time		1000	20+0.1C <sub>b</sub>	300	ns	(1,4)
T <sub>F</sub>	<b>SCL</b> and <b>SDA</b> Fall Time		300	20+0.1C <sub>b</sub>	300	ns	(1,4)
T <sub>SUSTO</sub>	Setup Time for STOP Condition	4		0.6		μs	(1)

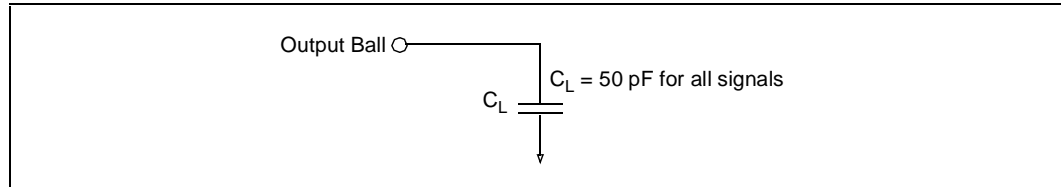
**NOTES:**

1. See [Figure 15, "I<sup>2</sup>C Interface Signal Timings"](#) on page 58.
2. Not tested.
3. After this period, the first clock pulse is generated.
4. C<sub>b</sub> = the total capacitance of one bus line, in pF.

## 4.5 AC Test Conditions

The AC Specifications in Section 4.4, “Targeted AC Specifications” on page 48 are tested with the 50 pF load indicated in Figure 8.

Figure 8. AC Test Load



## 4.6 AC Timing Waveforms

Figure 9. S\_CLK, TCLK Waveform

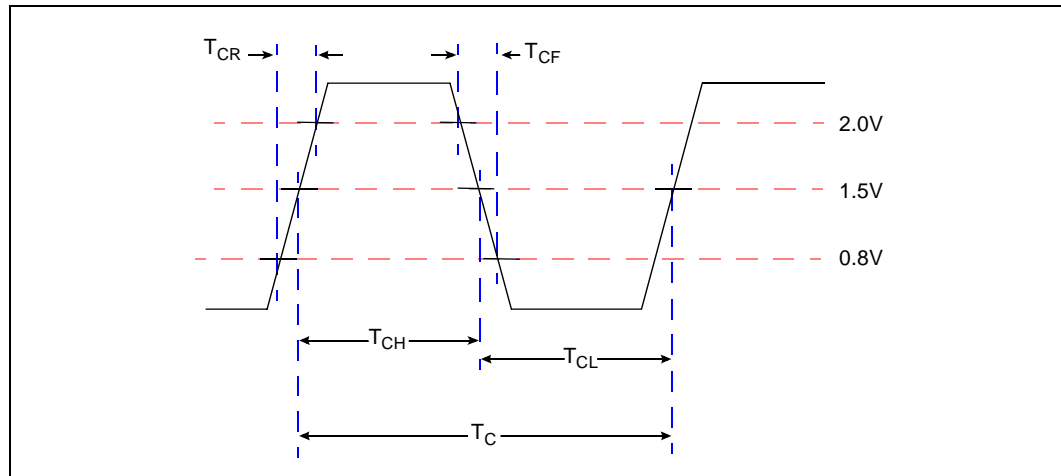


Figure 10.  $T_{OV}$  Output Delay Waveform

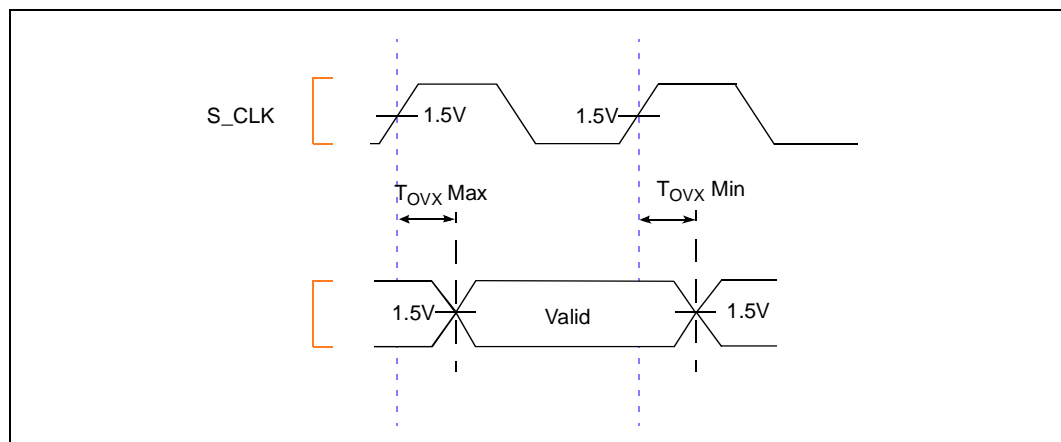


Figure 11.  $T_{OF}$  Output Float Waveform

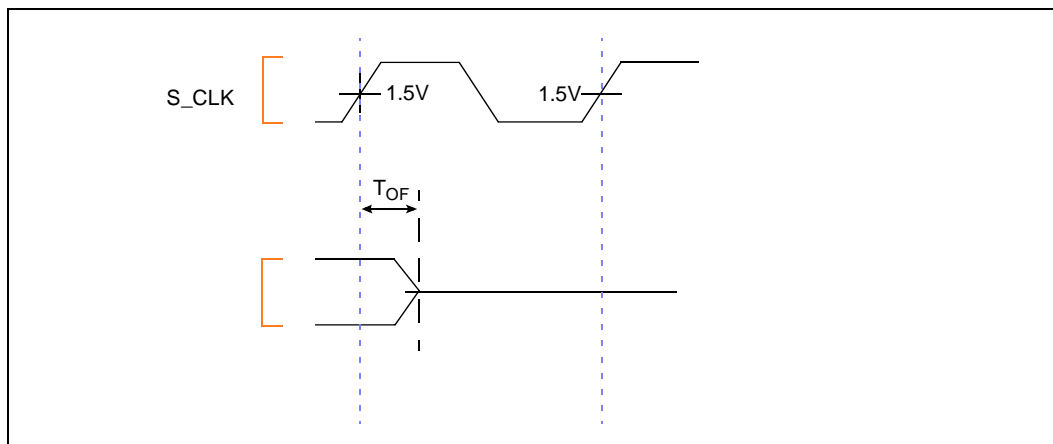


Figure 12.  $T_{IS}$  and  $T_{IH}$  Input Setup and Hold Waveform

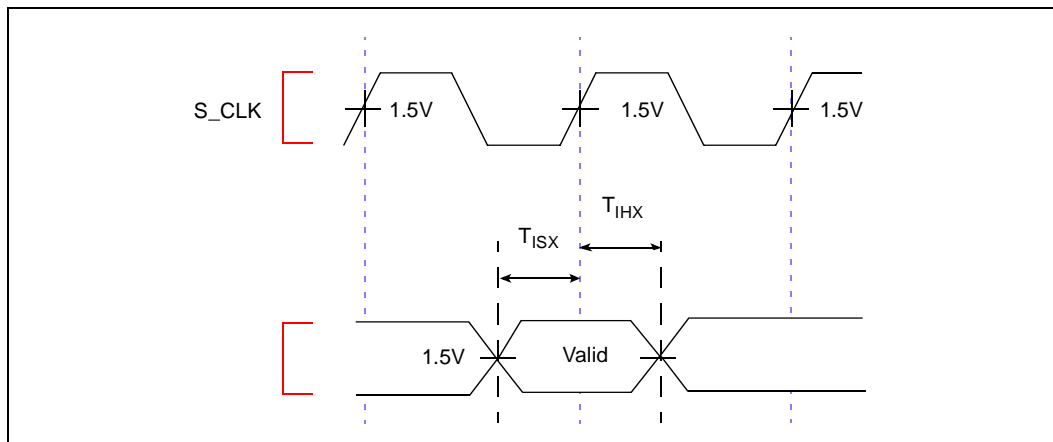




Figure 13.  $T_{LXL}$  and  $T_{LXA}$  Relative Timings Waveform

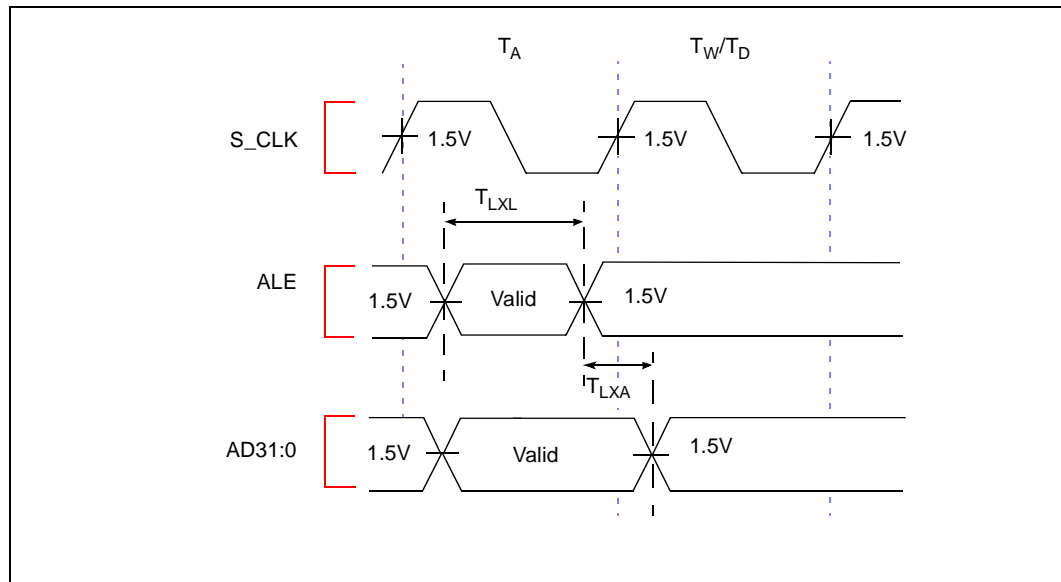


Figure 14. DT/R# and DEN# Timings Waveform

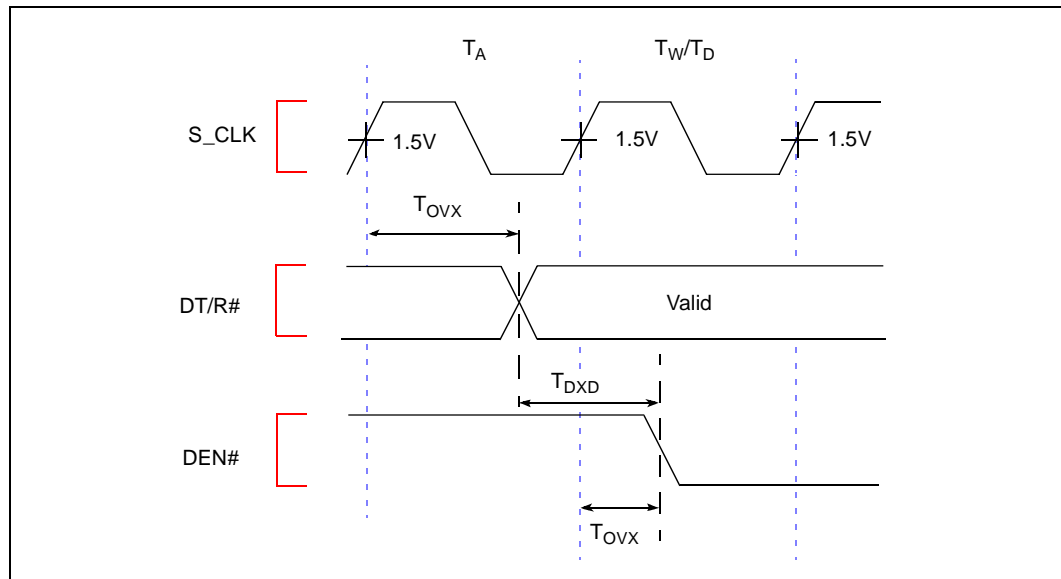
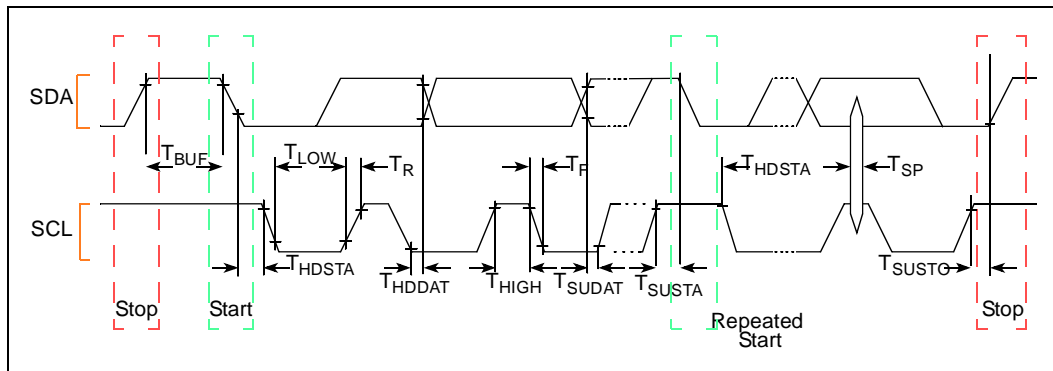


Figure 15. I<sup>2</sup>C Interface Signal Timings



## 4.7 Memory Controller Output Timing Waveforms

Figure 16. Fast Page-Mode Read Access, Non-Interleaved, 2,1,1,1 Wait State, 32-Bit 80960 Local Bus

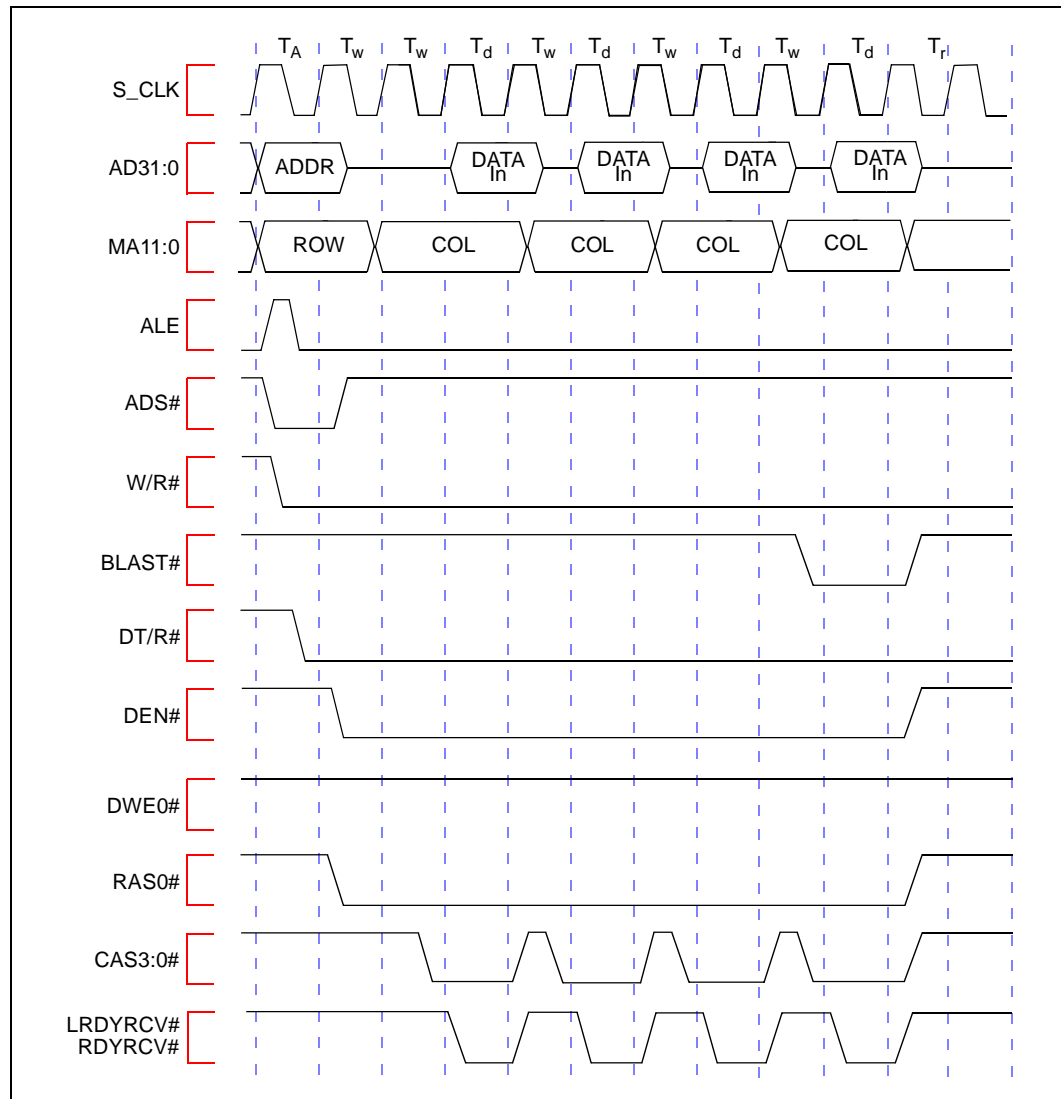


Figure 17. Fast Page-Mode Write Access, Non-Interleaved, 2,1,1,1 Wait States, 32-Bit 80960 Local Bus

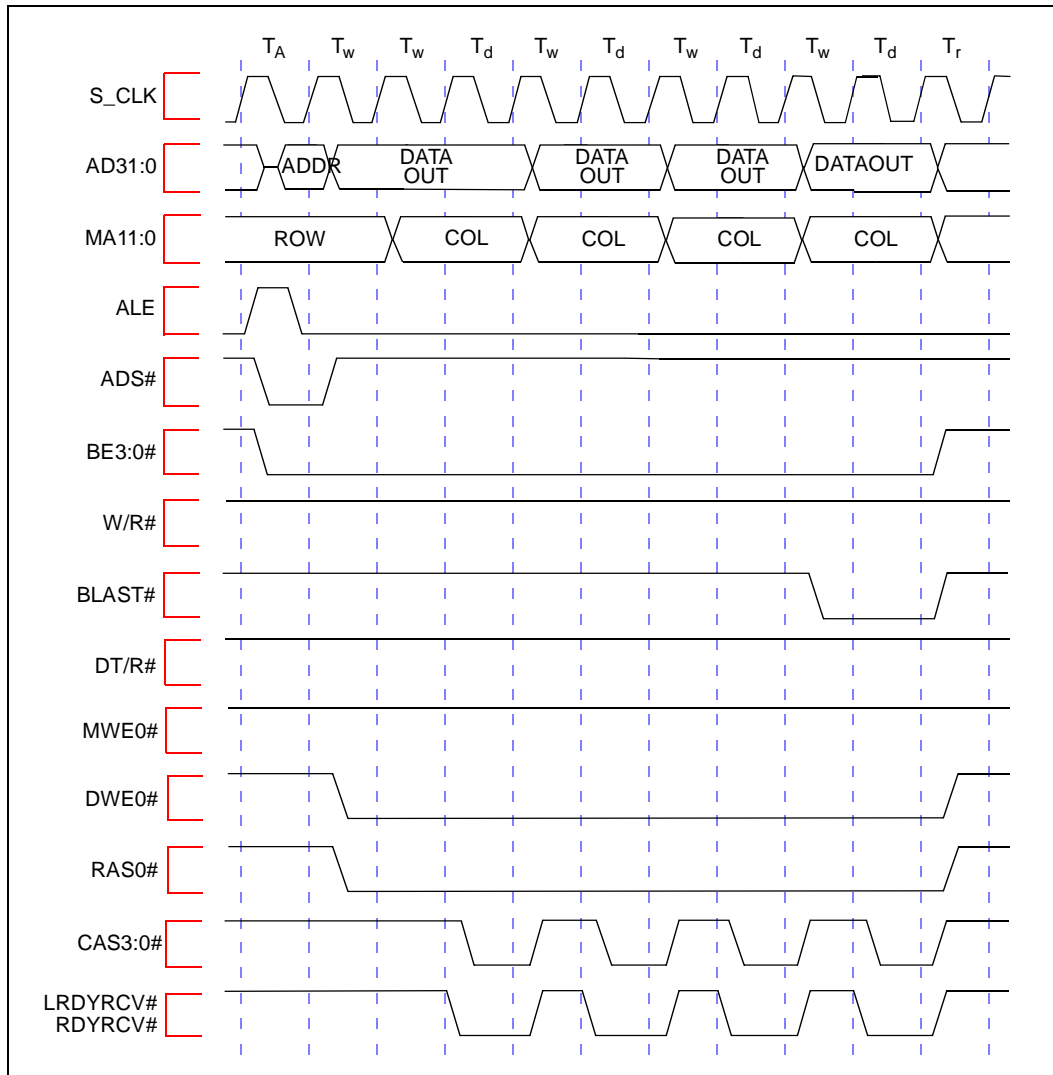


Figure 18. FPM DRAM System Read Access, Interleaved, 2,0,0,0 Wait States

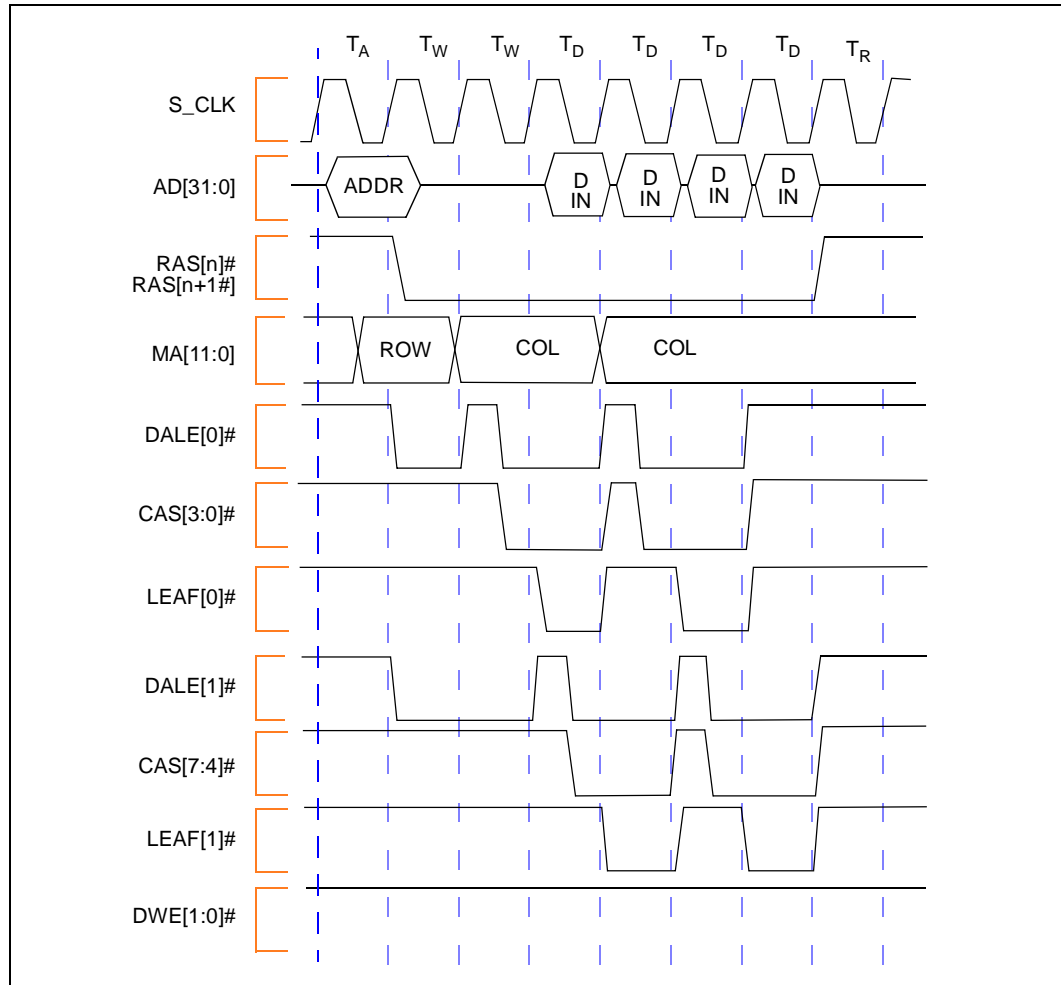


Figure 19. FPM DRAM System Write Access, Interleaved, 1,0,0,0 Wait States

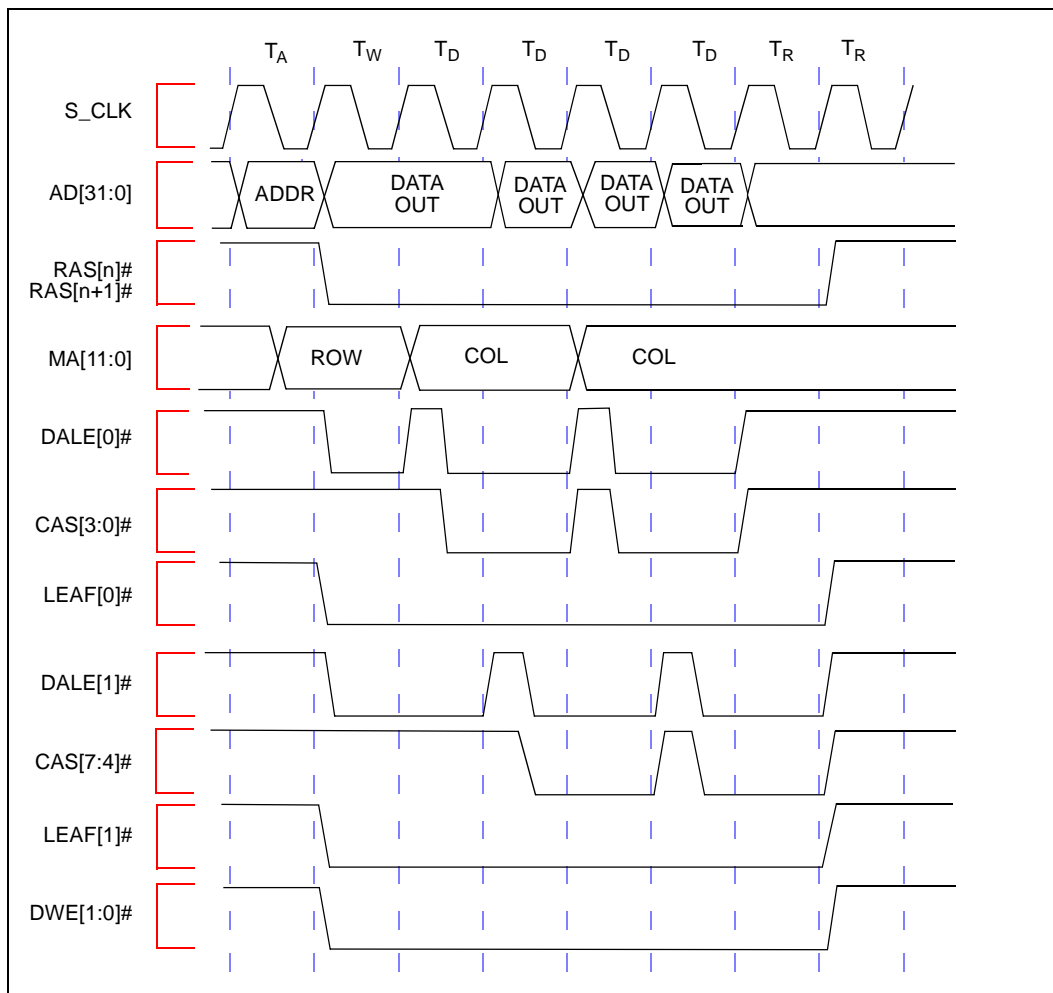


Figure 20. EDO DRAM, Read Cycle

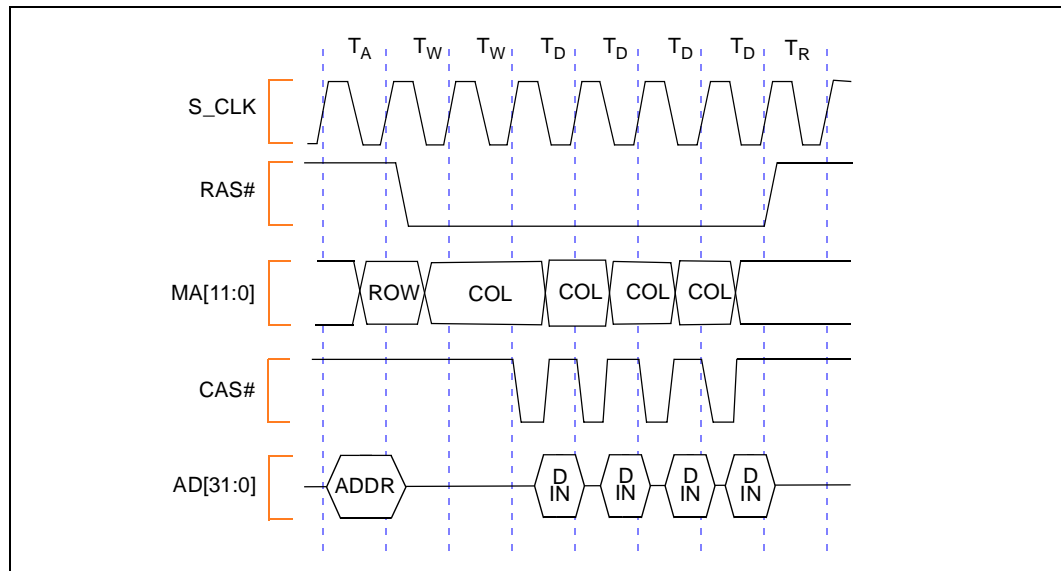


Figure 21. EDO DRAM, Write Cycle

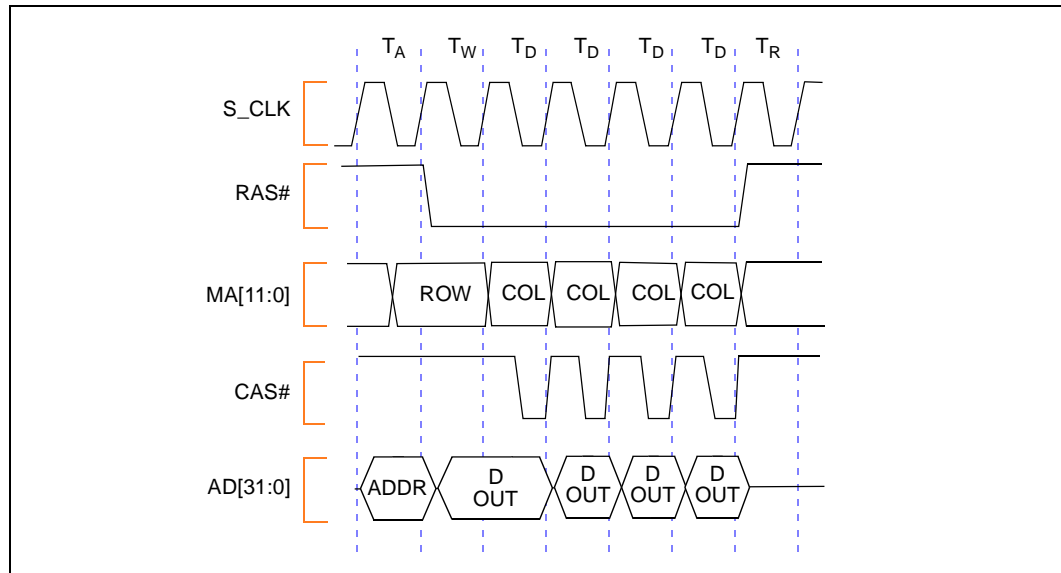


Figure 22. BEDO DRAM, Read Cycle

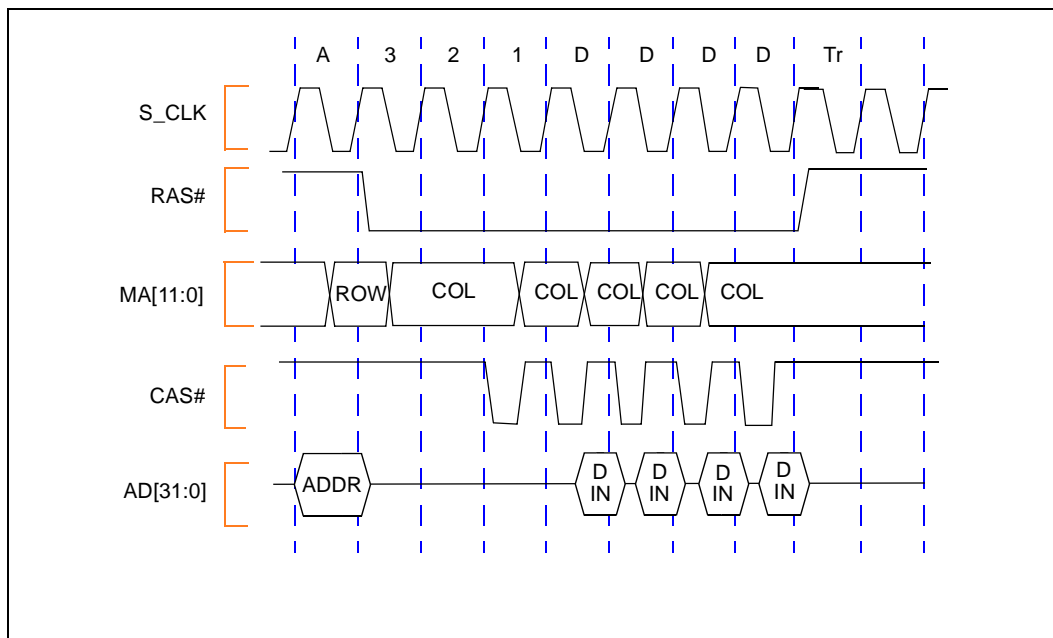


Figure 23. BEDO DRAM, Write Cycle

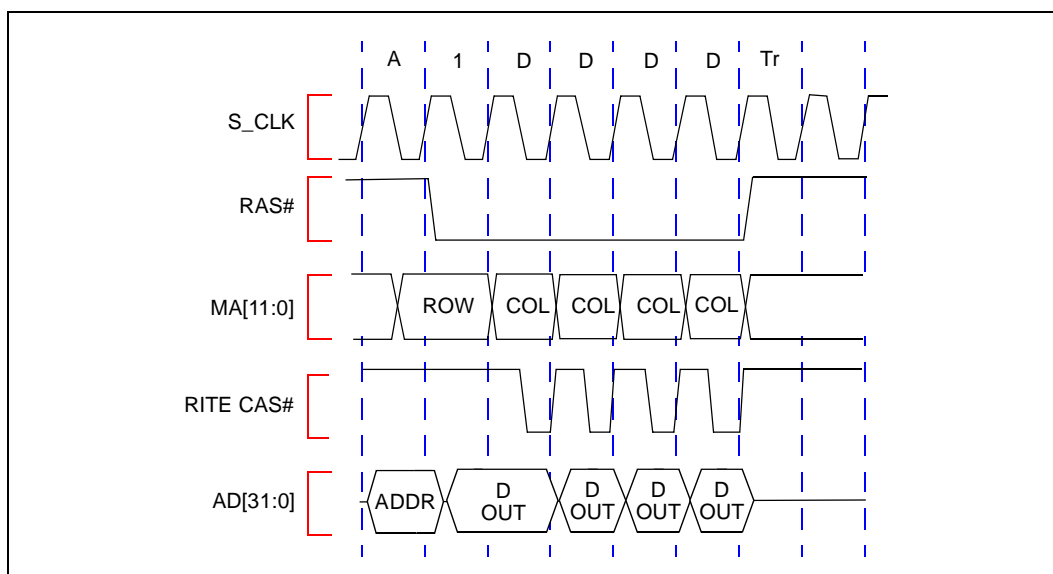




Figure 24. 32-Bit Bus, SRAM Read Accesses with 0 Wait States

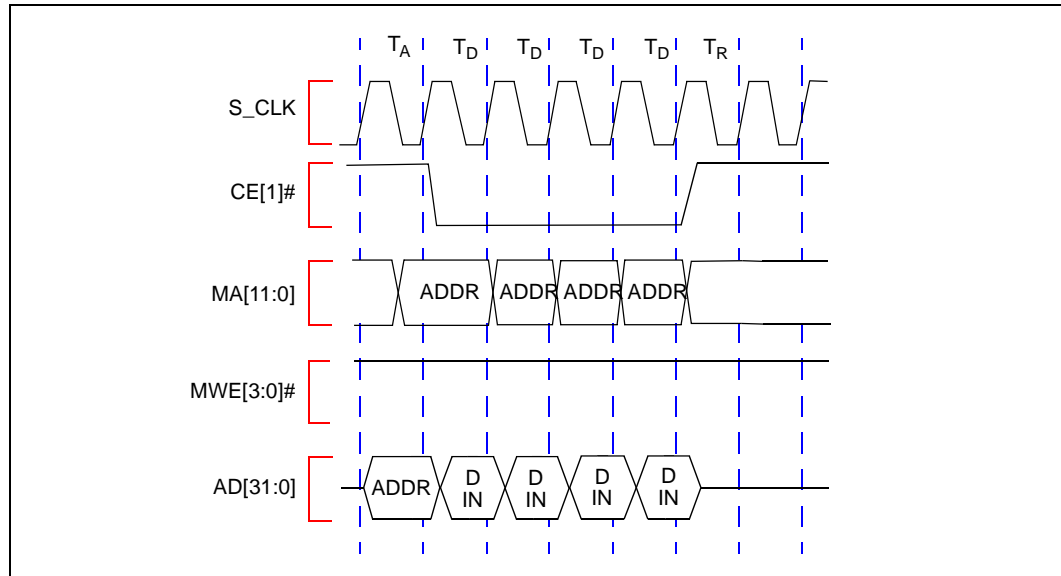
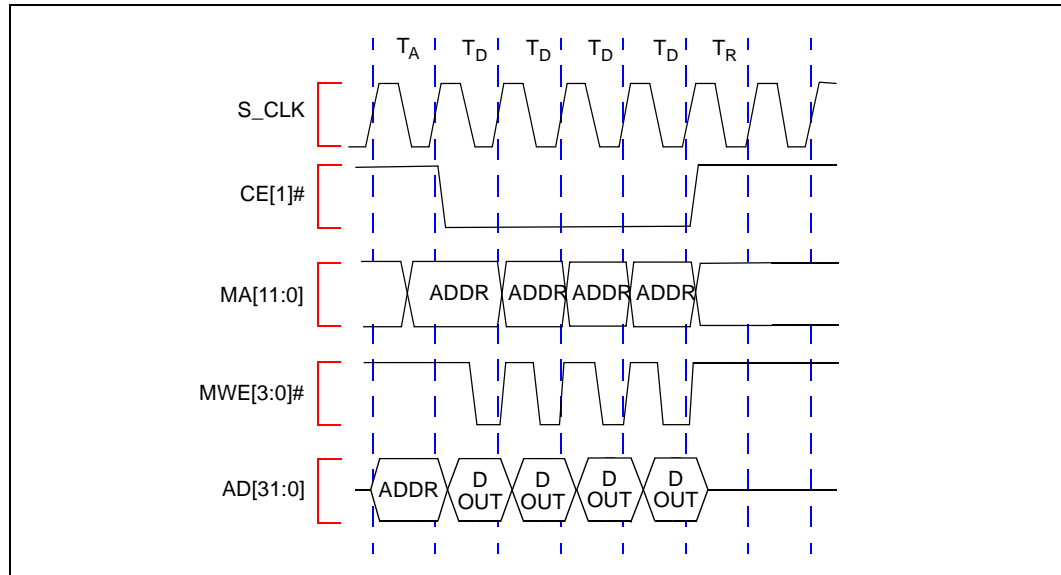
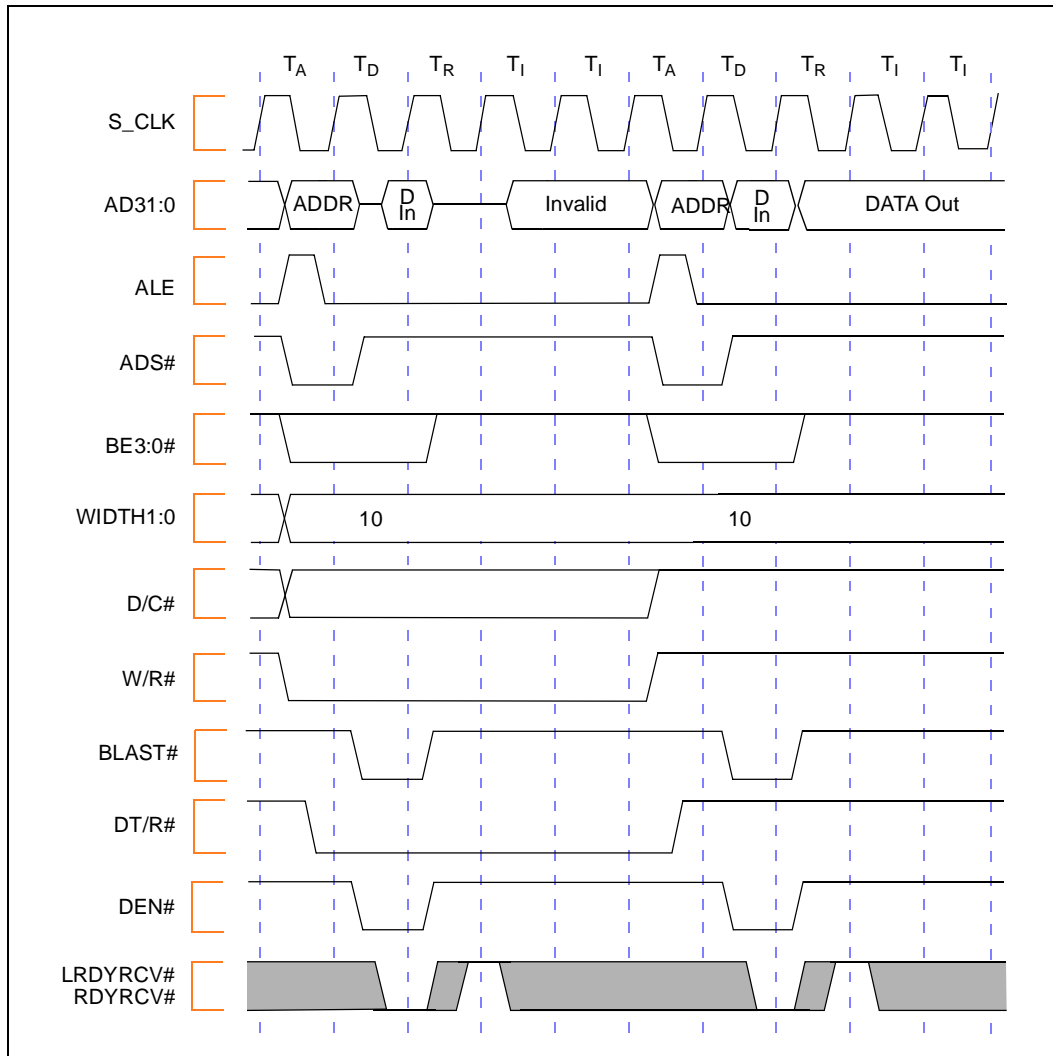


Figure 25. 32-Bit Bus, SRAM Write Accesses with 0 Wait States



## 5.0 BUS FUNCTIONAL WAVEFORMS

Figure 26. Non-Burst Read and Write Transactions without Wait States, 32-Bit 80960 Local Bus



**Figure 27. Burst Read and Write Transactions without Wait States, 32-Bit 80960 Local Bus**

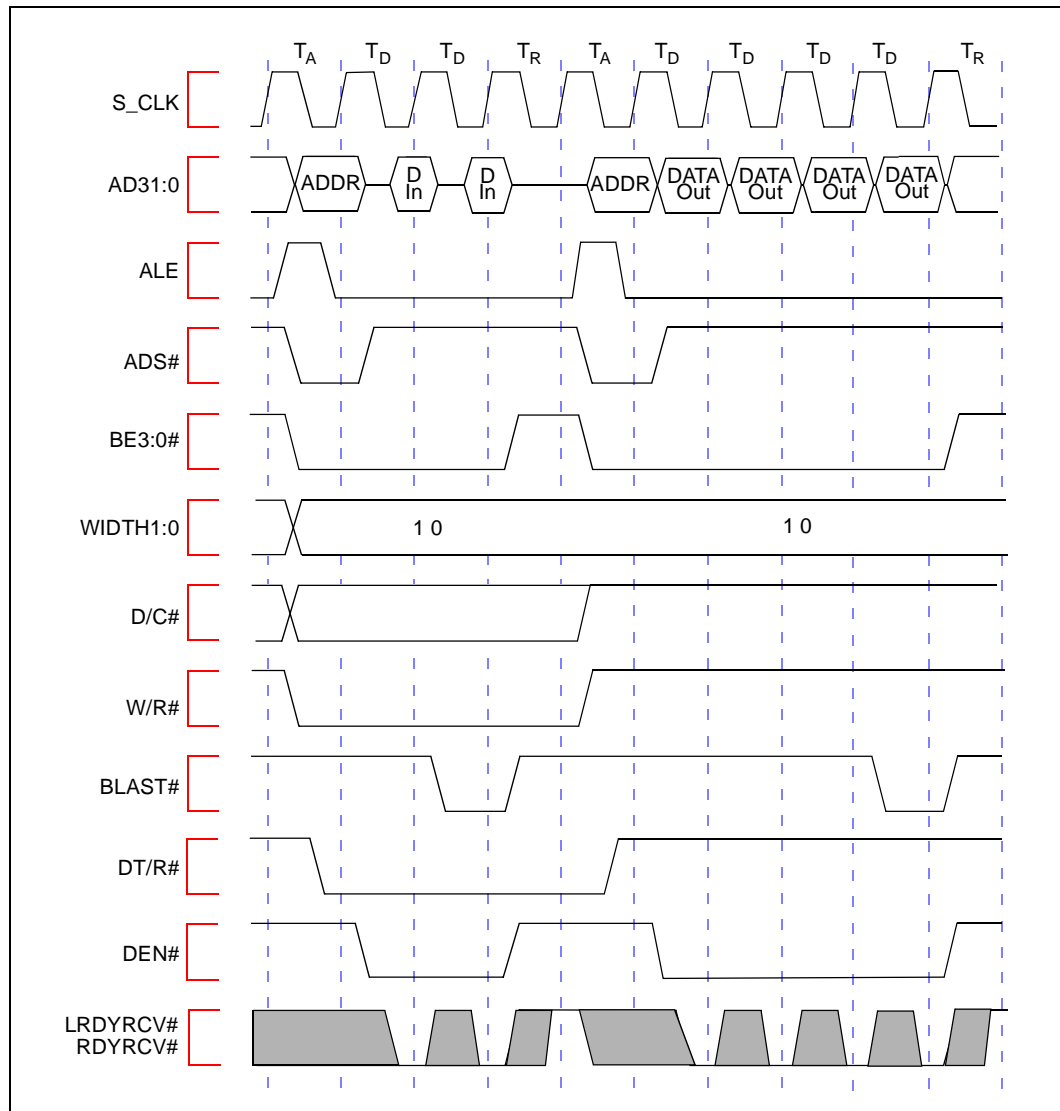
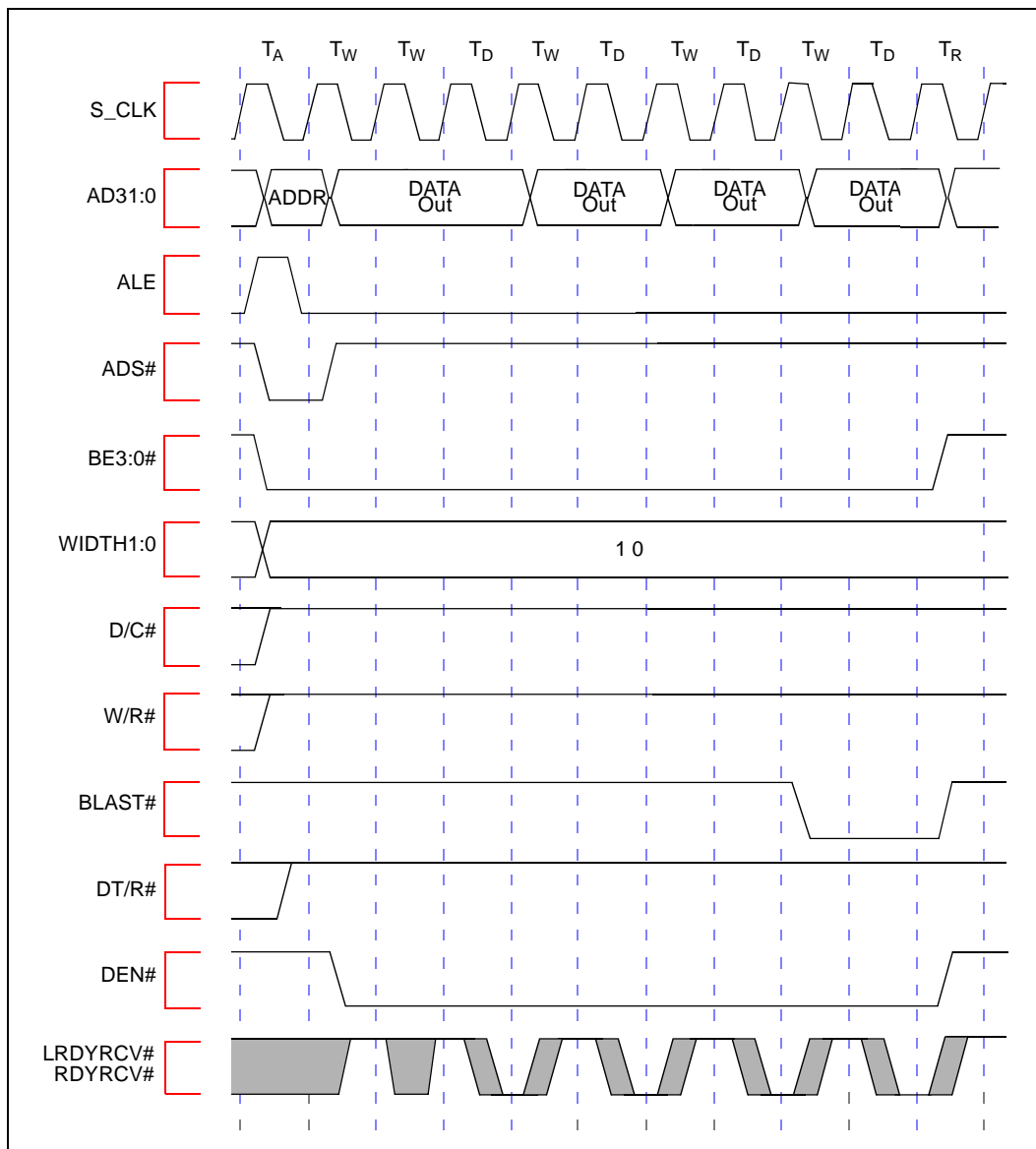
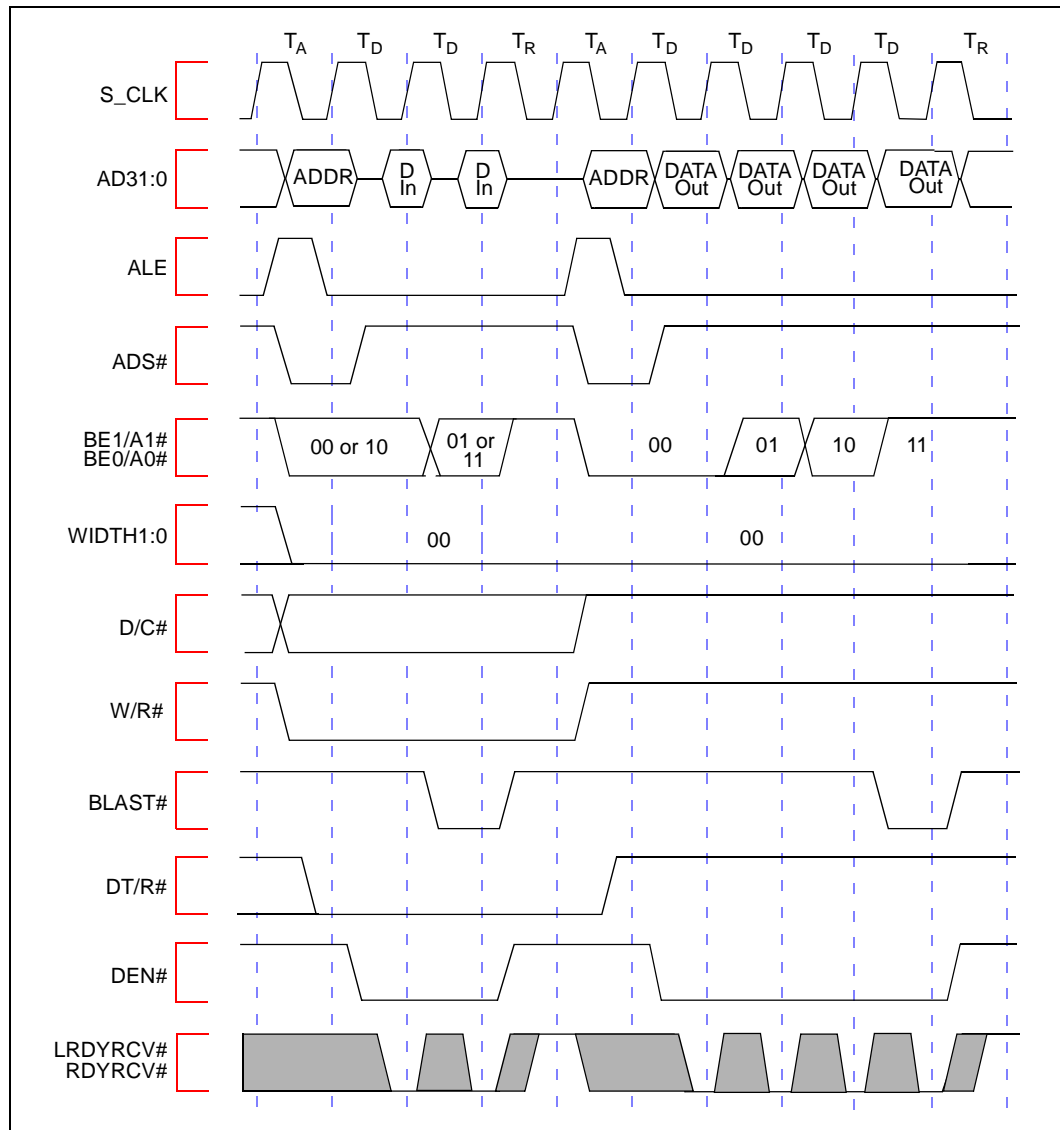


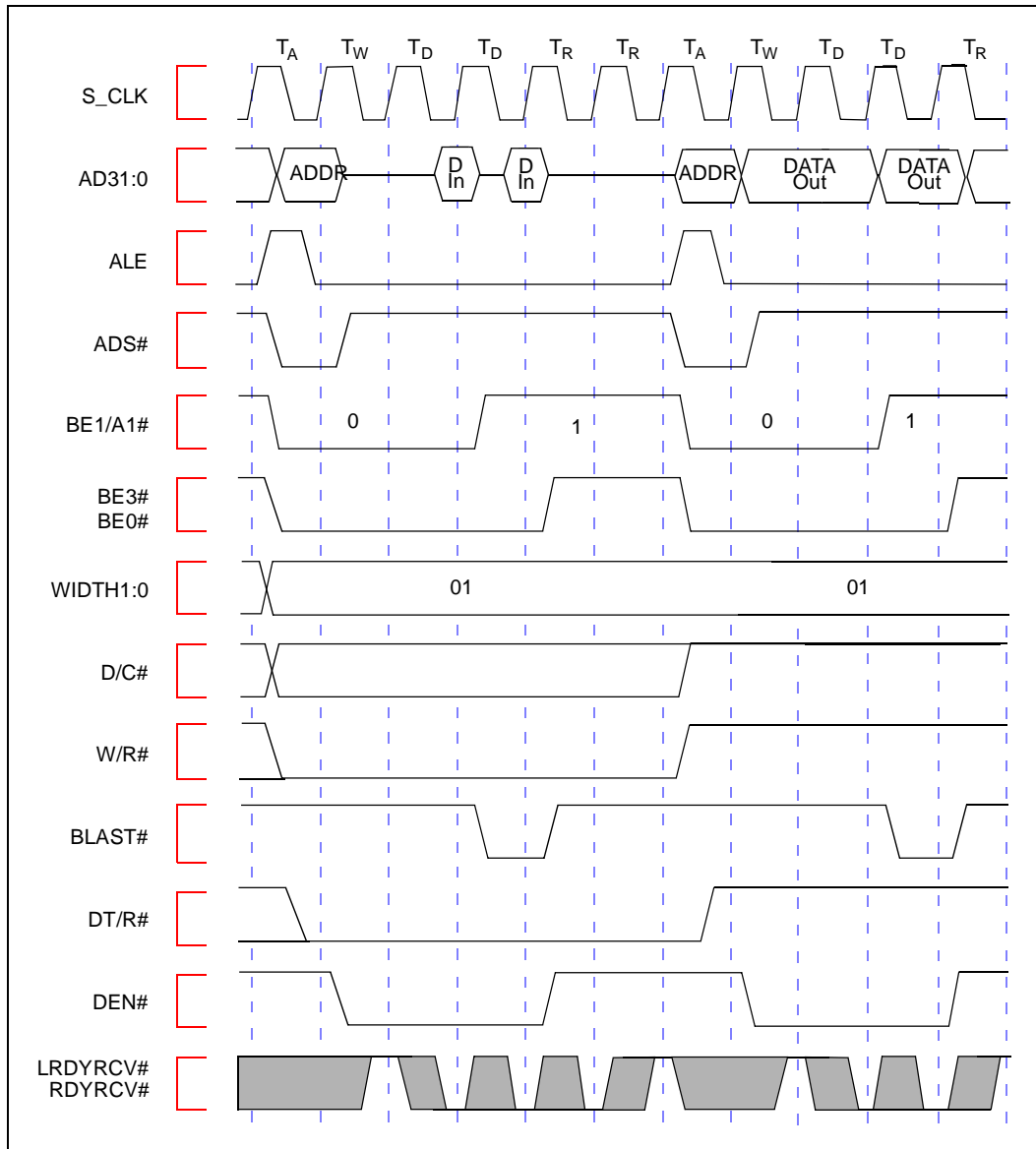
Figure 28. Burst Write Transactions with 2,1,1,1 Wait States, 32-Bit 80960 Local Bus



**Figure 29. Burst Read and Write Transactions without Wait States, 8-Bit 80960 Local Bus**



**Figure 30. Burst Read and Write Transactions with 1, 0 Wait States and Extra Tr State on Read, 16-Bit 80960 Local Bus**



**Figure 31. Bus Transactions Generated by Double Word Read Bus Request, Misaligned One Byte From Quad Word Boundary, 32-Bit 80960 Local Bus**

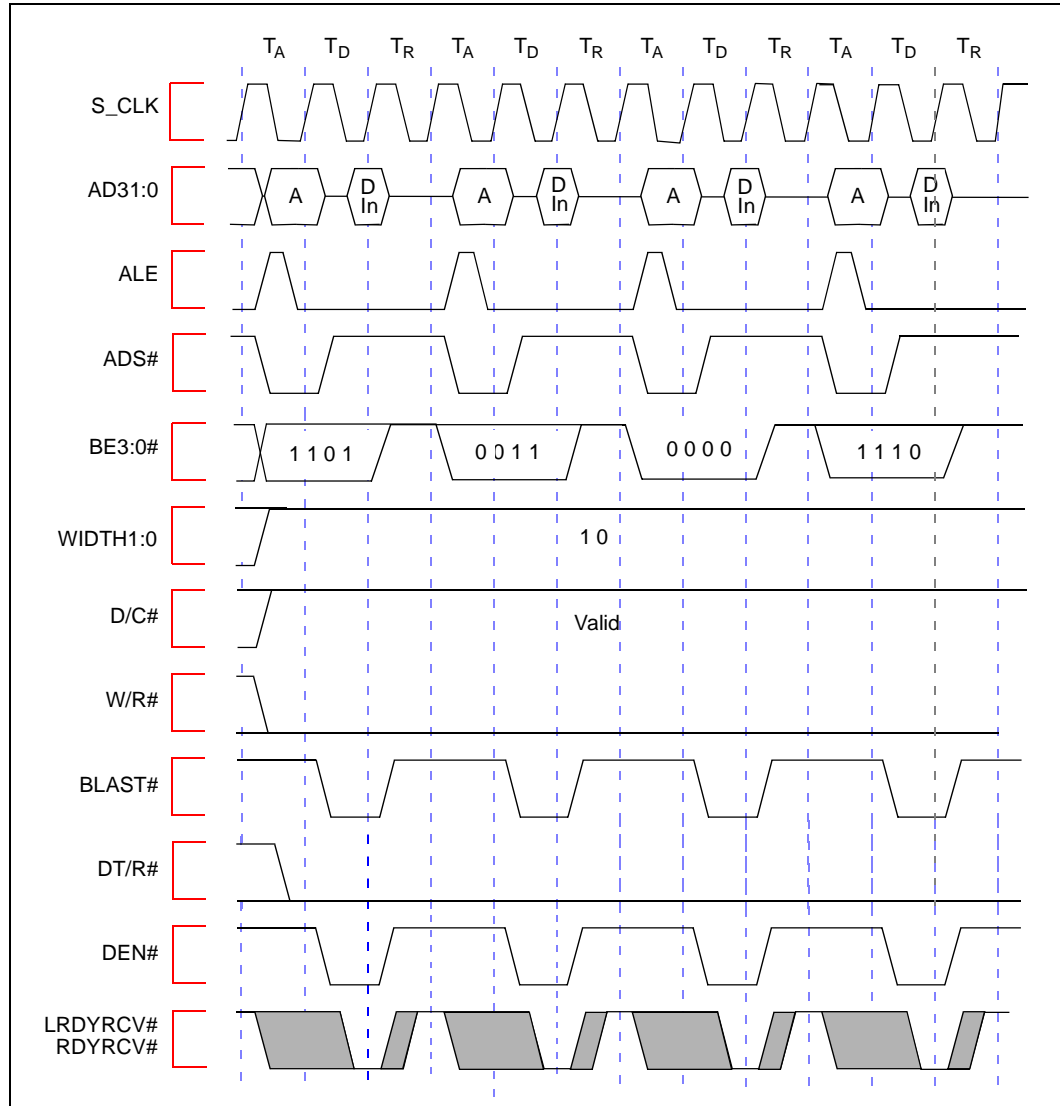


Figure 32. HOLD/HOLDA Waveform For Bus Arbitration

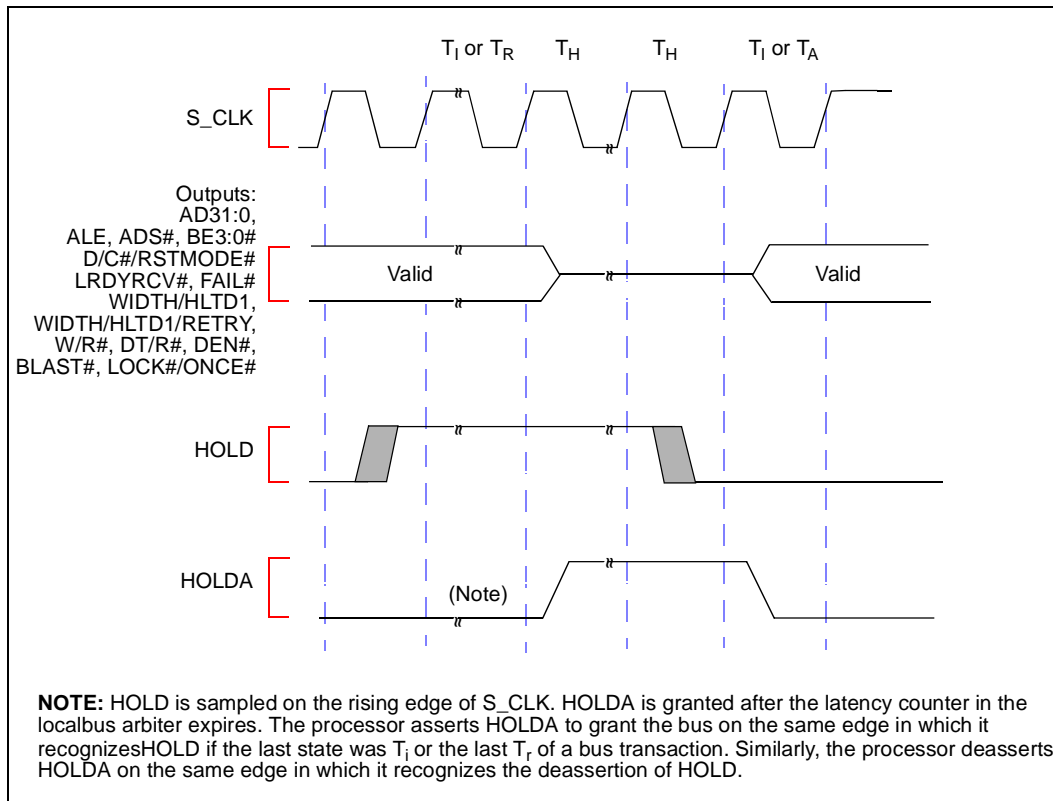




Figure 33. 80960 Core Cold Reset Waveform

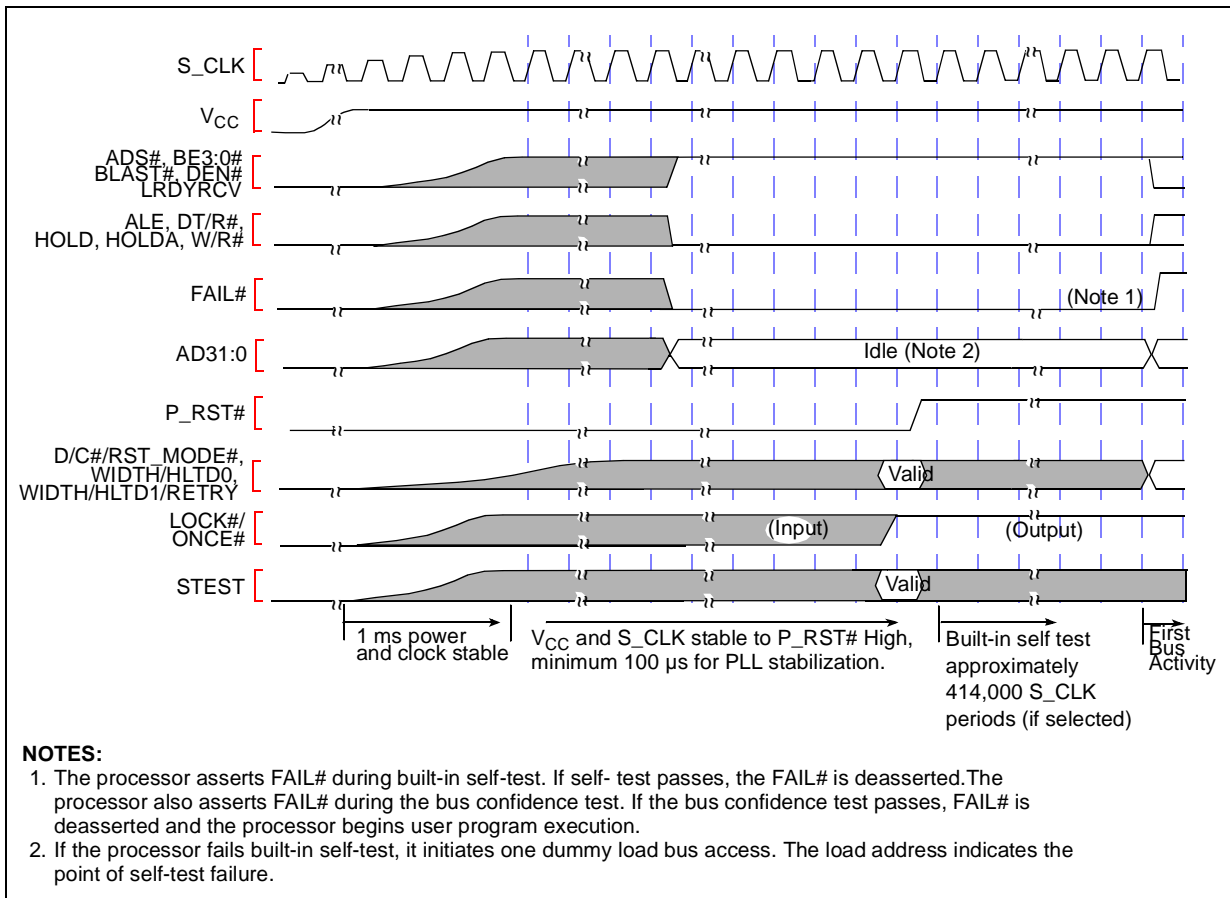
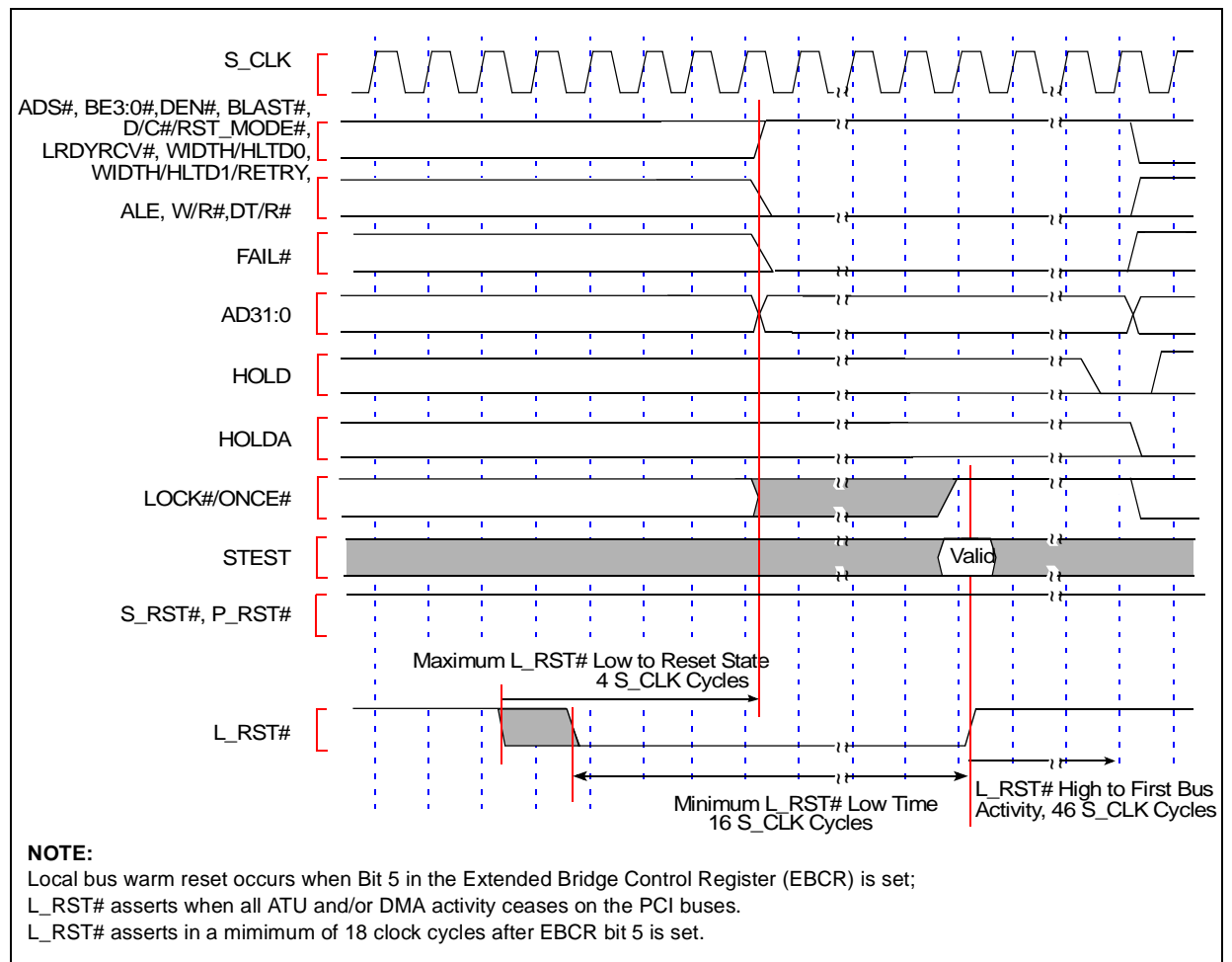


Figure 34. 80960 Local Bus Warm Reset Waveform



## 6.0 DEVICE IDENTIFICATION ON RESET

During the manufacturing process, values characterizing the Intel® i960® Rx I/O processor type and stepping are programmed into the memory-mapped registers. The Intel® i960® Rx I/O processor contains two read-only device ID MMRs. One holds the Processor Device ID (PDIDR - 0000 1710H) and the other holds the Intel® i960® Core Processor Device ID (DEVICEID - FF00 8710H). During initialization, the PDIDR is placed in g0.

The device identification values are compliant with the IEEE 1149.1 specification and Intel standards. Table 32 describes the fields of the two Device IDs.

**Table 32. Processor Device ID Register - PDIDR**

<b>LBA:</b> 1710H	<b>Legend:</b> RV = Reserved RS = Read/Set LBA = 80960 Local Bus Address	NA = Not Accessible PR = Preserved RC = Read Clear PCI = PCI Configuration Address Offset	RO = Read Only RW = Read/Write
<b>PCI:</b> NA			
Bit	Default	Description	
31:28	X	Version - Indicates stepping changes.	
27	X	V <sub>CC</sub> - Indicates device voltage type. 0 = 5.0 V 1 = 3.3 V	
26:21	X	Product Type - Indicates the generation or "family member".	
20:17	X	Generation Type - Indicates the generation of the device.	
16:12	X	Model Type - Indicates member within a series and specific model information.	
11:01	X	Manufacturer ID - Indicates manufacturer ID assigned by IEEE. 0000 0001 001 = Intel Corporation	
0	1	Constant	

**Note:** Values programmed into this register vary with stepping. Refer to the Intel® i960® Rx I/O Processor Specification Update (272918) for the correct value.



**This page intentionally left blank.**