



CYPRESS

PRELIMINARY

CY7C1327

256K x 18 Synchronous-Pipelined Cache RAM

Features

- Low (1.65 mW) standby power (f=0, L version)
- Supports 100-MHz bus for Pentium® and PowerPC™ operations with zero wait states
- Fully registered inputs and outputs for pipelined operation
- 256K x 18 common I/O architecture
- Single 3.3V power supply
- Fast clock-to-output times
 - 3.5 ns (for 166-MHz device)
 - 4.0 ns (for 133-MHz device)
 - 4.5 ns (for 117-MHz device)
 - 5.5 ns (for 100-MHz device)
- User-selectable burst counter supporting Intel® Pentium interleaved or linear burst sequences
- Separate processor and controller address strobes
- Synchronous self-timed writes
- Asynchronous output enable
- JEDEC-standard 100-pin TQFP pinout
- “ZZ” Sleep Mode option and Stop Clock option

Functional Description

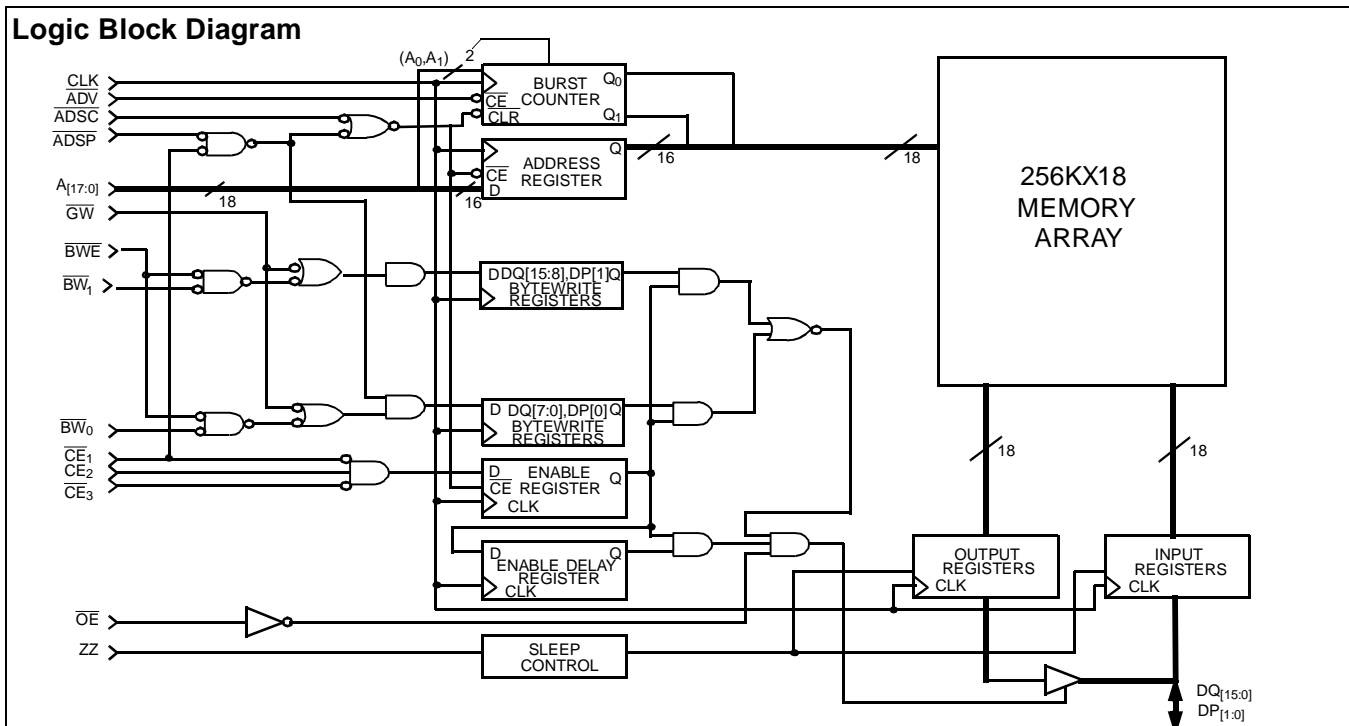
The CY7C1327 is a 3.3V 256K by 18 synchronous-pipelined cache SRAM designed to support zero wait state secondary cache with minimal glue logic.

All synchronous inputs pass through input registers controlled by the rising edge of the clock. All data outputs pass through output registers controlled by the rising edge of the clock. Maximum access delay from the clock rise is 3.5 ns (166-MHz device). A 2-bit on-chip wraparound burst counter captures the first address in a burst sequence and automatically increments the address for the rest of the burst access.

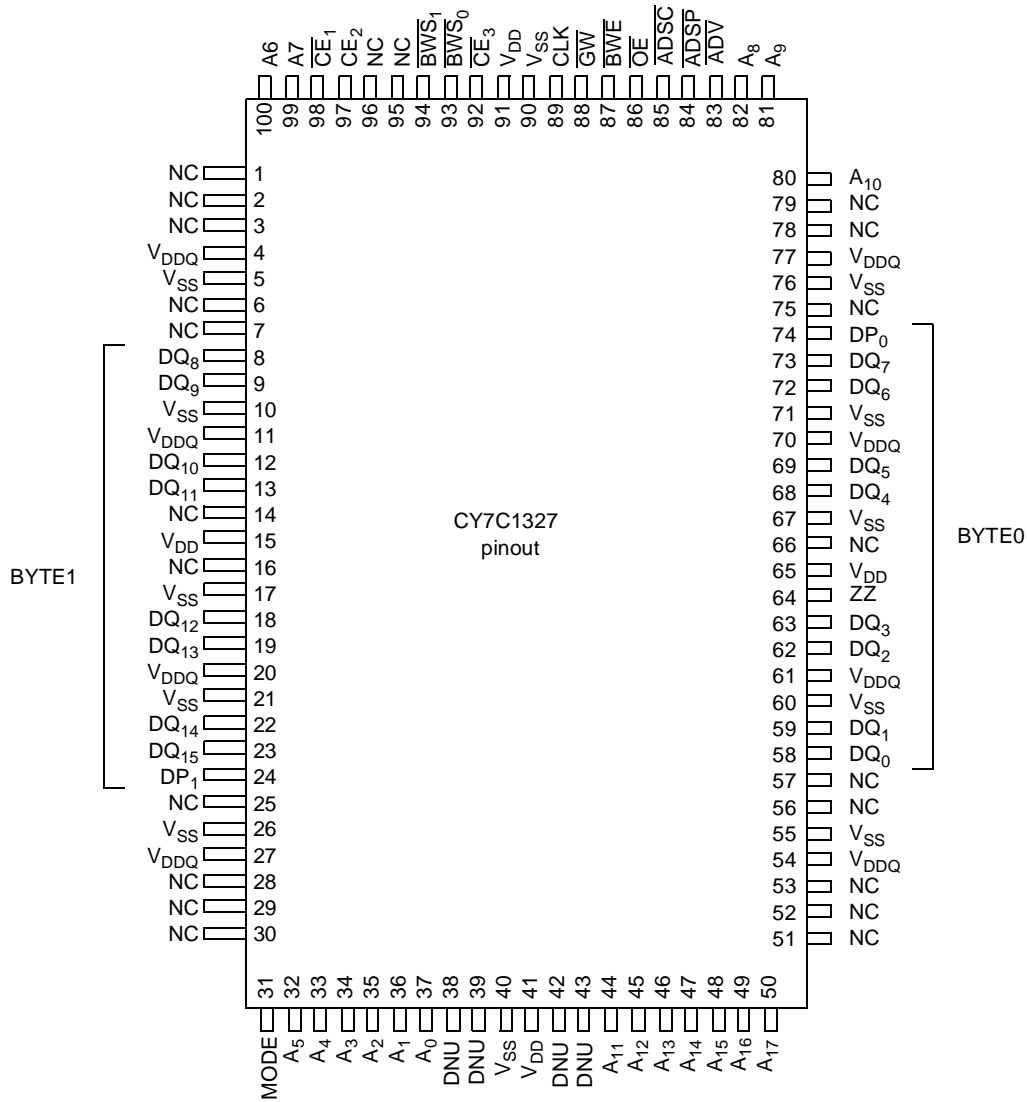
The CY7C1327 supports either the interleaved burst sequence used by the Intel Pentium processor or a linear burst sequence used by processors such as the PowerPC. The burst sequence is selected through the MODE pin. Accesses can be initiated by asserting either the processor address strobe (ADSP) or the controller address strobe (ADSC) at clock rise. Address advancement through the burst sequence is controlled by the ADV input.

Byte write operations are qualified with the two Byte Write Select (BW_[0-1]) inputs. A Global Write Enable (GW) overrides the byte write inputs and writes data to both bytes. All writes are conducted with on-chip synchronous self-timed write circuitry.

Three synchronous chip selects (\overline{CE}_1 , CE₂, \overline{CE}_3) and an asynchronous output enable (\overline{OE}) provide for easy bank selection and output three-state control. In order to provide proper data during depth expansion, \overline{OE} is masked during the first clock of a read cycle when emerging from a deselected state.



Intel and Pentium are registered trademarks of Intel Corporation.
PowerPC is a trademark of IBM Corporation.

Pin Configuration
100-Lead TQFP

Selection Guide

	7C1327-166	7C1327-133	7C1327-117	7C1327-100
Maximum Access Time (ns)	3.5	4.0	4.5	5.5
Maximum Operating Current (mA)	420	375	350	325
Maximum Standby Current (mA)	2.0	2.0	2.0	2.0

Pin Definitions

Pin Number	Name	I/O	Description
50–44, 81, 82, 99, 100, 32–37	A _[17:0]	Input-Synchronous	Address Inputs used to select one of the 256K address locations. Sampled at the rising edge of the CLK if ADSP or ADSC is active LOW, and CE ₁ , CE ₂ , and CE ₃ are sampled active. A ₀ and A ₁ feed the 2-bit counter.
96–93	$\overline{BW}_{[1:0]}$	Input-Synchronous	Byte Write Select Inputs, active LOW. Qualified with \overline{BWE} to conduct byte writes to the SRAM. Sampled on the rising edge of CLK.
88	\overline{GW}	Input-Synchronous	Global Write Enable Input, active LOW. When asserted LOW on the rising edge of CLK, a global write is conducted (ALL bytes are written, regardless of the values on $\overline{BW}_{[1:0]}$ and \overline{BWE}).
87	\overline{BWE}	Input-Synchronous	Byte Write Enable Input, active LOW. Sampled on the rising edge of CLK. This signal must be asserted LOW to conduct a byte write.
89	CLK	Input-Clock	Clock Input. Used to capture all synchronous inputs to the device. Also used to increment the burst counter when \overline{ADV} is asserted LOW, during a burst operation.
98	\overline{CE}_1	Input-Synchronous	Chip Enable 1 Input, active LOW. Sampled on the rising edge of CLK. Used in conjunction with CE ₂ and \overline{CE}_3 to select/deselect the device. ADSP is ignored if \overline{CE}_1 is HIGH.
97	CE ₂	Input-Synchronous	Chip Enable 2 Input, active HIGH. Sampled on the rising edge of CLK. Used in conjunction with CE ₁ and CE ₃ to select/deselect the device.
92	\overline{CE}_3	Input-Synchronous	Chip Enable 3 Input, active LOW. Sampled on the rising edge of CLK. Used in conjunction with CE ₁ and CE ₂ to select/deselect the device.
86	\overline{OE}	Input-Asynchronous	Output Enable, asynchronous input, active LOW. Controls the direction of the I/O pins. When LOW, the I/O pins behave as outputs. When deasserted HIGH, I/O pins are three-stated, and act as input data pins. \overline{OE} is masked during the first clock of a read cycle when emerging from a deselected state.
83	\overline{ADV}	Input-Synchronous	Advance Input signal, sampled on the rising edge of CLK. When asserted, it automatically increments the address in a burst cycle.
84	\overline{ADSP}	Input-Synchronous	Address Strobe from Processor, sampled on the rising edge of CLK. When asserted LOW, A _[17:0] is captured in the address registers. A ₀ and A ₁ are also loaded into the burst counter. When \overline{ADSP} and \overline{ADSC} are both asserted, only \overline{ADSP} is recognized. \overline{ADSP} is ignored when \overline{CE}_1 is deasserted HIGH.
85	\overline{ADSC}	Input-Synchronous	Address Strobe from Controller, sampled on the rising edge of CLK. When asserted LOW, A _[17:0] is captured in the address registers. A ₀ and A ₁ are also loaded into the burst counter. When \overline{ADSP} and \overline{ADSC} are both asserted, only \overline{ADSP} is recognized.
64	ZZ	Input-Asynchronous	ZZ “sleep” Input. This active HIGH input places the device in a non-time critical “sleep” condition with data integrity preserved.
29, 28, 25–22, 19, 18, 13, 12, 9–6, 3, 2, 79, 78, 75–72, 69, 68, 63, 62 59–56, 53, 52	DQ _[15:0] , DP _[1:0]	I/O-Synchronous	Bidirectional Data I/O lines. As inputs, they feed into an on-chip data register that is triggered by the rising edge of CLK. As outputs, they deliver the data contained in the memory location specified by A _[17:0] during the previous clock rise of the read cycle. The direction of the pins is controlled by \overline{OE} . When \overline{OE} is asserted LOW, the pins behave as outputs. When HIGH, DQ _[15:0] and DP _[1:0] are placed in a three-state condition.
15, 41, 65, 91	V _{DD}	Power Supply	Power supply inputs to the core of the device. Should be connected to 3.3V power supply.
17, 40, 67, 90	V _{SS}	Ground	Ground for the core of the device. Should be connected to ground of the system.
4, 11, 20, 27, 54, 61, 70, 77	V _{DDQ}	I/O Power Supply	Power supply for the I/O circuitry. Should be connected to a 3.3V power supply.
5, 10, 21, 26, 55, 60, 71, 76	V _{SSQ}	I/O Ground	Ground for the I/O circuitry. Should be connected to ground of the system.
31	MODE	Input-Static	Selects burst order. When tied to GND selects linear burst sequence. When tied to V _{DDQ} or left floating selects interleaved burst sequence. This is a strap pin and should remain static during device operation.
1, 14, 16, 30, 38, 39, 42, 43, 49, 51, 66, 80	NC	-	No Connects.

Introduction

Functional Overview

All synchronous inputs pass through input registers controlled by the rising edge of the clock. All data outputs pass through output registers controlled by the rising edge of the clock. Maximum access delay from the clock rise (t_{CO}) is 3.5 ns (166-MHz device). A two-bit on-chip wraparound burst counter captures the first address in a burst sequence and automatically increments the address for the rest of the burst access.

The CY7C1327 supports secondary cache in systems utilizing either a linear or interleaved burst sequence. The interleaved burst order supports Pentium and i486 processors. The linear burst sequence is suited for processors that utilize a linear burst sequence. The burst order is user selectable, and is determined by sampling the MODE input. Accesses can be initiated with either the processor address strobe (\overline{ADSP}) or the controller address strobe (\overline{ADSC}). Address advancement through the burst sequence is controlled by the \overline{ADV} input.

Byte write operations are qualified with the Byte Write Enable (\overline{BWE}) and Byte Write Select (\overline{BW}_{0-1}) inputs. A Global Write Enable (\overline{GW}) overrides all byte write inputs and writes data to all four bytes. All writes are simplified with on-chip synchronous self-timed write circuitry.

Three synchronous chip selects ($\overline{CE}_1, CE_2, \overline{CE}_3$) and an asynchronous output enable (\overline{OE}) provide for easy bank selection and output three-state control. \overline{ADSP} is ignored if \overline{CE}_1 is HIGH.

Single Read Accesses

This access is initiated when the following conditions are satisfied at clock rise: (1) \overline{ADSP} or \overline{ADSC} is asserted LOW, (2) $\overline{CE}_1, CE_2, \overline{CE}_3$ are all asserted active, and (3) the write signals ($\overline{GW}, \overline{BWE}$) are all deasserted HIGH. \overline{ADSP} is ignored if \overline{CE}_1 is HIGH. The address presented to the address inputs (A_0-A_{17}) is stored into the address advancement logic and the Address Register while being presented to the memory core. The corresponding data is allowed to propagate to the input of the Output Registers. At the rising edge of the next clock the data is allowed to propagate through the output register and onto the data bus within 3.5 ns (166-MHz device) if \overline{OE} is active LOW. The only exception occurs when the SRAM is emerging from a deselected state to a selected state, its outputs are always three-stated during the first cycle of the access. After the first cycle of the access, the outputs are controlled by the \overline{OE} signal. Consecutive single read cycles are supported. Once the SRAM is deselected at clock rise by the chip select and either \overline{ADSP} or \overline{ADSC} signals, its output will three-state immediately.

Single Write Accesses Initiated by \overline{ADSP}

This access is initiated when both of the following conditions are satisfied at clock rise: (1) \overline{ADSP} is asserted LOW, and (2) $\overline{CE}_1, CE_2, \overline{CE}_3$ are all asserted active. The address presented to A_0-A_{17} is loaded into the address register and the address advancement logic while being delivered to the RAM core. The write signals ($\overline{GW}, \overline{BWE}, \overline{BW}_0,$ and \overline{BW}_1) and \overline{ADV} inputs are ignored during this first cycle.

\overline{ADSP} triggered write accesses require two clock cycles to complete. If \overline{GW} is asserted LOW on the second clock rise, the data presented to the DQ_0-DQ_{15} and DP inputs is written into the corresponding address location in the RAM core. If \overline{GW} is

HIGH, then the write operation is controlled by \overline{BWE} and $\overline{BW}_{1:0}$ signals. The CY7C1327 provides byte write capability that is described in the Write Cycle Descriptions table. Asserting the Byte Write Enable input (\overline{BWE}) with the selected Byte Write ($\overline{BW}_0, \overline{BW}_1$) input will selectively write to only the desired bytes. Bytes not selected during a byte write operation will remain unaltered. A synchronous self-timed write mechanism has been provided to simplify the write operations.

Because the CY7C1327 is a common I/O device, the Output Enable (\overline{OE}) must be deasserted HIGH before presenting data to the DQ_0-DQ_{15} and DP inputs. Doing so will three-state the output drivers. As a safety precaution, DQ_0-DQ_{15} and DP are automatically three-stated whenever a write cycle is detected, regardless of the state of \overline{OE} .

Single Write Accesses Initiated by \overline{ADSC}

\overline{ADSC} write accesses are initiated when the following conditions are satisfied: (1) \overline{ADSC} is asserted LOW, (2) \overline{ADSP} is deasserted HIGH, (3) $\overline{CE}_1, CE_2, \overline{CE}_3$ are all asserted active, and (4) the appropriate combination of the write inputs ($\overline{GW}, \overline{BWE}$, and $\overline{BW}_0, \overline{BW}_1$) are asserted active to conduct a write to the desired byte(s). \overline{ADSC} triggered write accesses require a single clock cycle to complete. The address presented to A_0-A_{17} is loaded into the address register and the address advancement logic while being delivered to the RAM core. The \overline{ADV} input is ignored during this cycle. If a global write is conducted, the data presented to the DQ_0-DQ_{15} and DP are written into the corresponding address location in the RAM core. If a byte write is conducted, only the selected bytes are written. Bytes not selected during a byte write operation will remain unaltered. A synchronous self-timed write mechanism has been provided to simplify the write operations.

Because the CY7C1327 is a common I/O device, the Output Enable (\overline{OE}) must be deasserted HIGH before presenting data to the DQ_0-DQ_{15} and DP inputs. Doing so will three-state the output drivers. As a safety precaution, DQ_0-DQ_{15} and DP are automatically three-stated whenever a write cycle is detected, regardless of the state of \overline{OE} .

Burst Sequences

The CY7C1327 provides a two-bit wraparound counter, fed by A_0 and A_1 , that implements either an interleaved or linear burst sequence. The interleaved burst sequence is designed specifically to support Intel Pentium applications. The linear burst sequence is designed to support processors that follow a linear burst sequence. The burst sequence is user selectable through the MODE input.

Asserting \overline{ADV} LOW at clock rise will automatically increment the burst counter to the next address in the burst sequence. Both read and write burst operations are supported.

Interleaved Burst Sequence

First Address	Second Address	Third Address	Fourth Address
Ax+1, Ax	Ax+1, Ax	Ax+1, Ax	Ax+1, Ax
00	01	10	11
01	00	11	10
10	11	00	01
11	10	01	00

Linear Burst Sequence

First Address	Second Address	Third Address	Fourth Address
Ax+1, Ax	Ax+1, Ax	Ax+1, Ax	Ax+1, Ax
00	01	10	11
01	10	11	00
10	11	00	01
11	00	01	10

Sleep Mode

The ZZ input pin is an asynchronous input. Asserting ZZ places the SRAM in a power conservation “sleep” mode. Two clock cycles are required to enter into or exit from this “sleep” mode. While in this mode, data integrity is guaranteed. Accesses pending when entering the “sleep” mode are not considered valid nor is the completion of the operation guaranteed. The device must be deselected prior to entering the “sleep” mode. \overline{CE}_1 , CE_2 , \overline{CE}_3 , \overline{ADSP} , and \overline{ADSC} must remain inactive for the duration of t_{ZZREC} after the ZZ input returns LOW.

Cycle Descriptions^[1,2,3]

Next Cycle	Add. Used	ZZ	\overline{CE}_3	CE_2	\overline{CE}_1	\overline{ADSP}	\overline{ADSC}	\overline{ADV}	\overline{OE}	DQ	Write
Unselected	None	L	X	X	1	X	0	X	X	Hi-Z	X
Unselected	None	L	1	X	0	0	X	X	X	Hi-Z	X
Unselected	None	L	X	0	0	0	X	X	X	Hi-Z	X
Unselected	None	L	1	X	0	1	0	X	X	Hi-Z	X
Unselected	None	L	X	0	0	1	0	X	X	Hi-Z	X
Begin Read	External	L	0	1	0	0	X	X	X	Hi-Z	X
Begin Read	External	L	0	1	0	1	0	X	X	Hi-Z	read
Continue Read	Next	L	X	X	X	1	1	0	1	Hi-Z	read
Continue Read	Next	L	X	X	X	1	1	0	0	DQ	read
Continue Read	Next	L	X	X	1	X	1	0	1	Hi-Z	read
Continue Read	Next	L	X	X	1	X	1	0	0	DQ	read
Suspend Read	Current	L	X	X	X	1	1	1	1	Hi-Z	read
Suspend Read	Current	L	X	X	X	1	1	1	0	DQ	read
Suspend Read	Current	L	X	X	1	X	1	1	1	Hi-Z	read
Suspend Read	Current	L	X	X	1	X	1	1	0	DQ	read
Begin Write	Current	L	X	X	X	1	1	1	X	Hi-Z	write
Begin Write	Current	L	X	X	1	X	1	1	X	Hi-Z	write
Begin Write	External	L	0	1	0	1	0	X	X	Hi-Z	write
Continue Write	Next	L	X	X	X	1	1	0	X	Hi-Z	write
Continue Write	Next	L	X	X	1	X	1	0	X	Hi-Z	write
Suspend Write	Current	L	X	X	X	1	1	1	X	Hi-Z	write
Suspend Write	Current	L	X	X	1	X	1	1	X	Hi-Z	write
ZZ “sleep”	None	H	X	X	X	X	X	X	X	Hi-Z	X

Notes:

1. X=Don't Care, 1=HIGH, 0=LOW.
2. Write is defined by BWE, BW[1:0], and GW. See Write Cycle Descriptions table.
3. The DQ pins are controlled by the current cycle and the OE signal. OE is asynchronous and is not sampled with the clock.

Write Cycle Descriptions^[1,2,3]

Function	\overline{GW}	\overline{BWE}	\overline{BW}_1	\overline{BW}_0
Read	1	1	X	X
Read	1	0	1	1
Write Byte 0 - DQ _[7:0] , DP _[0]	1	0	1	0
Write Byte 1 - DQ _[15:8] , DP _[1]	1	0	0	1
Write Both Bytes	1	0	0	0
Write Both Bytes	0	X	X	X

Maximum Ratings

(Above which the useful life may be impaired. For user guidelines, not tested.)

Storage Temperature -65°C to +150°C

Ambient Temperature with Power Applied -55°C to +125°C

Supply Voltage on V_{DD} Relative to GND -0.5V to +4.6V

DC Voltage Applied to Outputs in High Z State^[4] -0.5V to V_{DDQ} + 0.5V

DC Input Voltage^[4] -0.5V to V_{DDQ} + 0.5V

Notes:

4. Minimum voltage equals -2.0V for pulse durations of less than 20 ns.
5. T_A is the "instant on" case temperature.

Current into Outputs (LOW) 20 mA

Static Discharge Voltage >2001V (per MIL-STD-883, Method 3015)

Latch-Up Current >200 mA

Operating Range

Range	Ambient Temperature ^[5]	V _{DD}
Com'l	0°C to +70°C	3.3V -5%/+10%

Electrical Characteristics Over the Operating Range

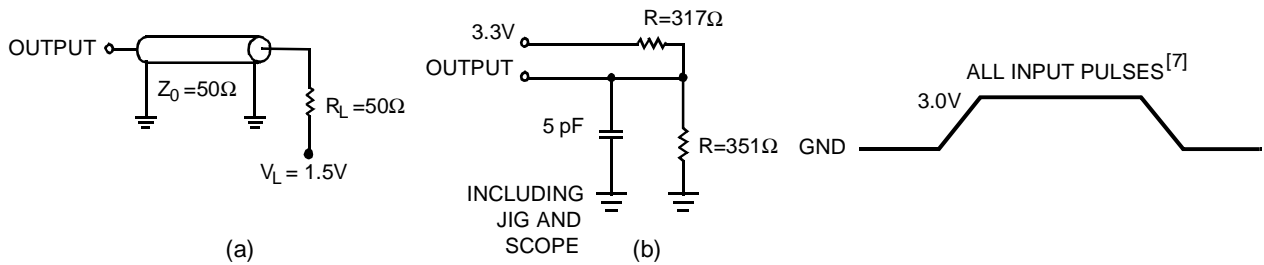
Parameter	Description	Test Conditions	Min.	Max.	Unit
V _{CC}	Power Supply Voltage		3.135	3.6	V
V _{DDQ}	I/O Supply Voltage		3.135	3.6	V
V _{OH}	Output HIGH Voltage	V _{DD} = Min., I _{OH} = -4.0 mA	2.4		V
V _{OL}	Output LOW Voltage	V _{DD} = Min., I _{OL} = 8.0 mA		0.4	V
V _{IH}	Input HIGH Voltage		2.0	V _{DDQ} + 0.3V	V
V _{IL}	Input LOW Voltage ^[4]		-0.3	0.8	V
I _X	Input Load Current except ZZ and MODE	GND ≤ V _I ≤ V _{DDQ}	-5	5	μA
		Input = V _{SS}	-30		μA
	Input Current of MODE	Input = V _{DDQ}		5	μA
		Input = V _{SS}	-5		μA
Input Current of ZZ	Input = V _{DDQ}		30	μA	
I _{OZ}	Output Leakage Current	GND ≤ V _I ≤ V _{DDQ} , Output Disabled	-5	5	μA
I _{CC}	V _{DD} Operating Supply Current	V _{DD} = Max., I _{OUT} = 0 mA, f = f _{MAX} = 1/t _{CYC}	6-ns cycle, 166 MHz	420	mA
			7.5-ns cycle, 133 MHz	375	mA
			8.5-ns cycle, 117 MHz	350	mA
			10-ns cycle, 100 MHz	325	mA
I _{SB1}	Automatic CS Power-Down Current—TTL Inputs	Max. V _{DD} , Device Deselected, V _{IN} ≥ V _{IH} or V _{IN} ≤ V _{IL} , f = f _{MAX} = 1/t _{CYC}	6-ns cycle, 166 MHz	35	mA
			7.5-ns cycle, 133 MHz	30	mA
			8.5-ns cycle, 117 MHz	25	mA
			10-ns cycle, 100 MHz	25	mA
I _{SB2}	Automatic CS Power-Down Current—CMOS Inputs	Max. V _{DD} , Device Deselected, V _{IN} ≤ 0.3V or V _{IN} ≥ V _{DDQ} - 0.3V, f = 0		2.5	mA
			L Version	500	μA
I _{SB3}	Automatic CS Power-Down Current—CMOS Inputs	Max. V _{DD} , Device Deselected, or V _{IN} ≤ 0.3V or V _{IN} ≥ V _{DDQ} - 0.3V, f = f _{MAX} = 1/t _{CYC}	6-ns cycle, 166 MHz	10	mA
			7.5-ns cycle, 133 MHz	10	mA
			8.5-ns cycle, 117 MHz	10	mA
			10-ns cycle, 100 MHz	10	mA
I _{SB4}	Automatic CS Power-Down Current—TTL Inputs	Max. V _{DD} , Device Deselected, V _{IN} ≥ V _{IH} or V _{IN} ≤ V _{IL} , f = 0		18	mA

ZZ Mode Electrical Characteristics

Parameter	Description	Test Conditions	Min	Max	Unit
I _{CCZZ}	Snooze mode standby current	ZZ ≥ V _{DD} - 0.2V		3	mA
I _{CCZZ} (L Version)	Snooze mode standby current	ZZ ≥ V _{DD} - 0.2V		800	μA
t _{ZZS}	Device operation to ZZ	ZZ ≥ V _{DD} - 0.2V		2t _{CYC}	ns
t _{ZZREC}	ZZ recovery time	ZZ ≤ 0.2V	2t _{CYC}		ns

Capacitance^[6]

Parameter	Description	Test Conditions	Max.	Unit
C_{IN}	Input Capacitance	$T_A = 25^\circ\text{C}$, $f = 1\text{ MHz}$, $V_{DD} = 3.3\text{V}$, $V_{DDQ} = 3.3\text{V}$	6	pF
C_{CLK}	Clock Input Capacitance		8	pF
$C_{I/O}$	Input/Output Capacitance		8	pF

AC Test Loads and Waveforms

Notes:

6. Tested initially and after any design or process changes that may affect these parameters.
7. Input waveform should have a slew rate of 1V/ns.

Switching Characteristics Over the Operating Range^[8,9,10]

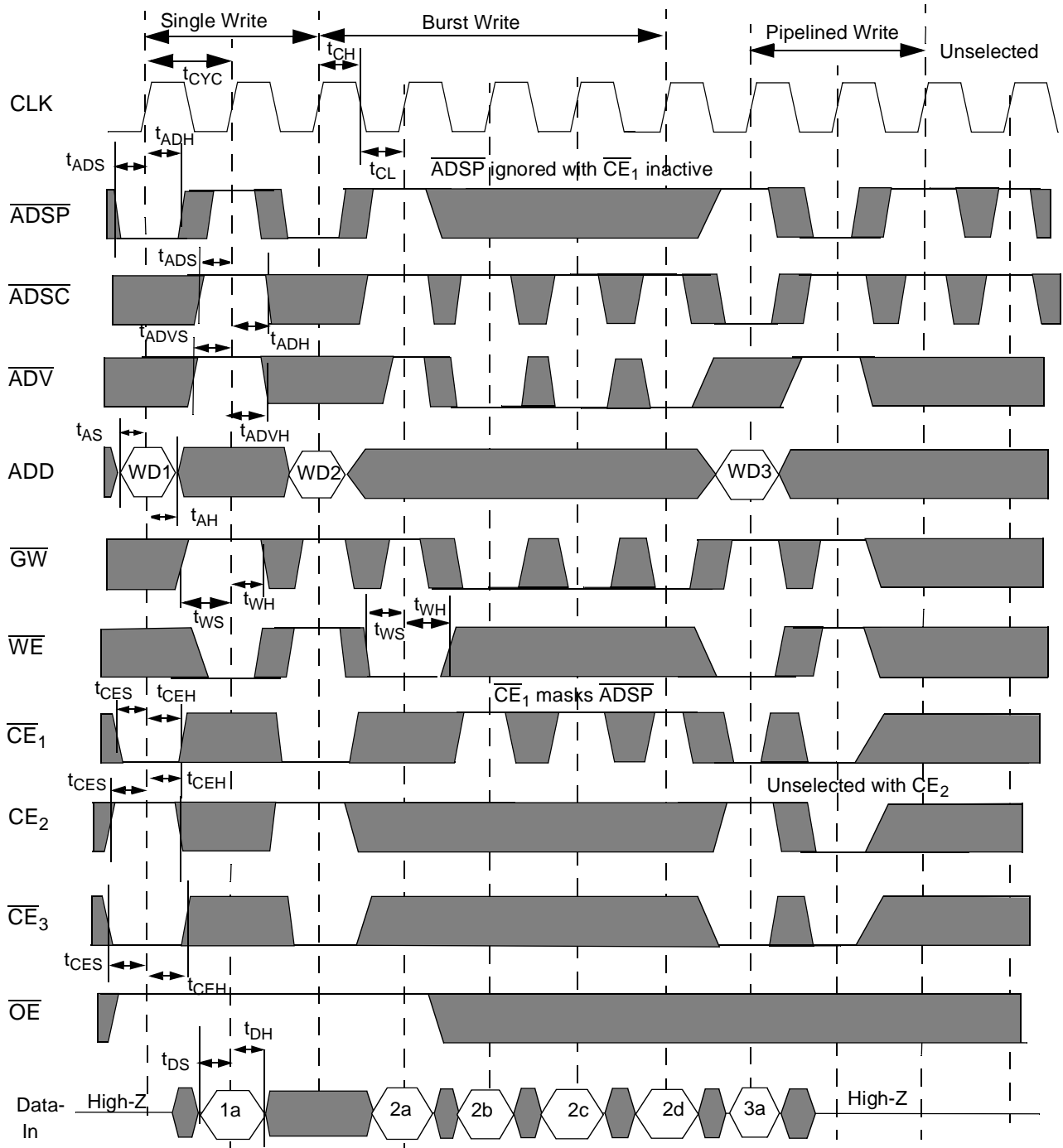
Parameter	Description	-166		-133		-117		-100		Unit
		Min.	Max.	Min.	Max.	Min.	Max.	Min.	Max.	
t _{CYC}	Clock Cycle Time	6		7.5		8.5		10		ns
t _{CH}	Clock HIGH	1.7		1.9		2.5		3.5		ns
t _{CL}	Clock LOW	1.7		1.9		2.5		3.5		ns
t _{AS}	Address Set-Up Before CLK Rise	2.0		2.5		2.5		2.5		ns
t _{AH}	Address Hold After CLK Rise	0.5		0.5		0.5		0.5		ns
t _{CO}	Data Output Valid After CLK Rise		3.5		4		4.5		5.5	ns
t _{DOH}	Data Output Hold After CLK Rise	1.5		2.0		2.0		2.0		ns
t _{ADS}	\overline{ADSP} , \overline{ADSC} Set-Up Before CLK Rise	2.0		2.5		2.5		2.5		ns
t _{ADH}	\overline{ADSP} , \overline{ADSC} Hold After CLK Rise	0.5		0.5		0.5		0.5		ns
t _{WES}	\overline{BWE} , \overline{GW} , $\overline{BW}[1:0]$ Set-Up Before CLK Rise	2.0		2.5		2.5		2.5		ns
t _{WEH}	\overline{BWE} , \overline{GW} , $\overline{BW}[1:0]$ Hold After CLK Rise	0.5		0.5		0.5		0.5		ns
t _{ADVS}	\overline{ADV} Set-Up Before CLK Rise	2.0		2.5		2.5		2.5		ns
t _{ADVH}	\overline{ADV} Hold After CLK Rise	0.5		0.5		0.5		0.5		ns
t _{DS}	Data Input Set-Up Before CLK Rise	2.0		2.5		2.5		2.5		ns
t _{DH}	Data Input Hold After CLK Rise	0.5		0.5		0.5		0.5		ns
t _{CES}	Chip Select Set-Up	2.0		2.5		2.5		2.5		ns
t _{CEH}	Chip Select Hold After CLK Rise	0.5		0.5		0.5		0.5		ns
t _{CHZ}	Clock to High-Z ^[9, 10]		3.5		3.5		3.5		3.5	ns
t _{CLZ}	Clock to Low-Z ^[9, 10]	0		0		0		0		ns
t _{EOHZ}	\overline{OE} HIGH to Output High-Z ^[9, 10]		3.5		3.5		3.5		3.5	ns
t _{EOLZ}	\overline{OE} LOW to Output Low-Z ^[9, 10]	0		0		0		0	6	ns
t _{EOV}	\overline{OE} LOW to Output Valid ^[9]		3.5		3.5		3.5		3.5	ns

Notes:

8. Unless otherwise noted, test conditions assume signal transition time of 3 ns or less, timing reference levels of 1.5V, input pulse levels of 0 to 3.0V, and output loading of the specified I_{OL}/I_{OH} and load capacitance. Shown in (a) and (b) of AC test loads.
9. t_{CHZ}, t_{CLZ}, t_{EOV}, t_{EOLZ}, and t_{EOHZ} are specified with a load capacitance of 5 pF as in part (b) of AC Test Loads. Transition is measured ± 200 mV from steady-state voltage.
10. At any given voltage and temperature, t_{EOHZ} is less than t_{EOLZ} and t_{CHZ} is less than t_{CLZ}.

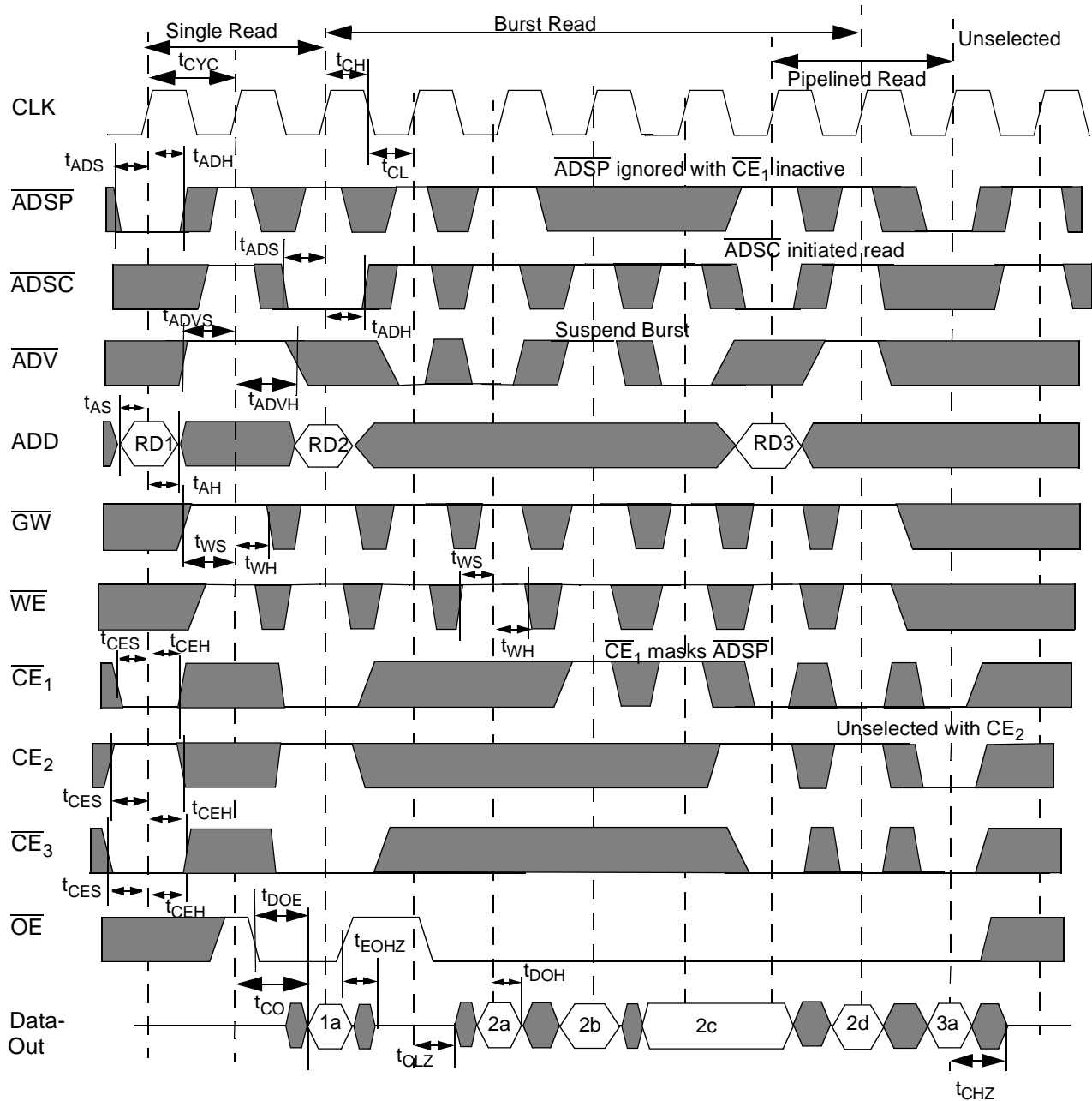
Switching Waveforms

Write Cycle Timing



\overline{WE} is the combination of \overline{BWE} & \overline{BW}_x to define a write cycle (see Write Cycle Descriptions table).

■ = UNDEFINED ■ = DON'T CARE

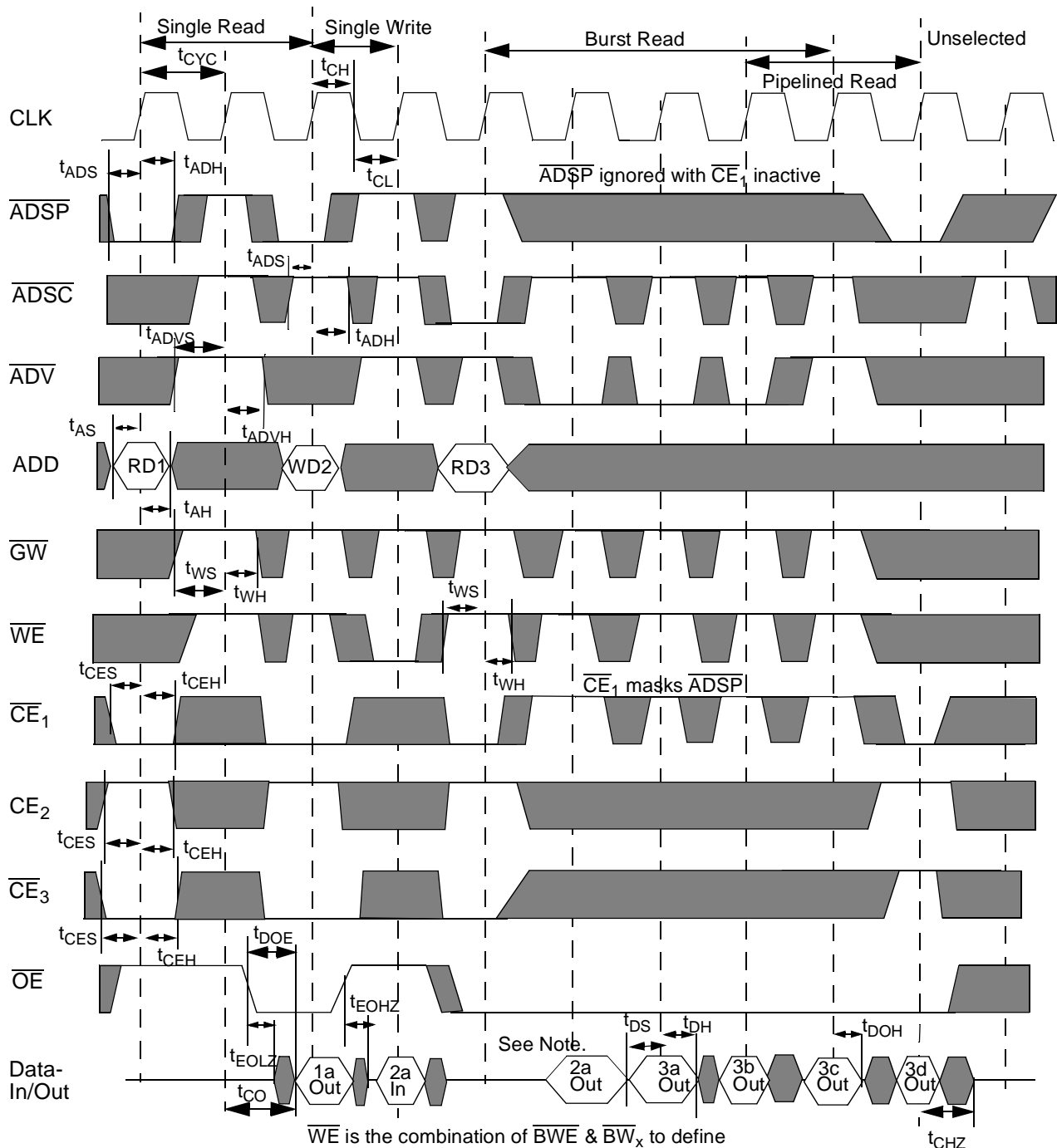
Switching Waveforms (continued)
Read Cycle Timing


\overline{WE} is the combination of \overline{BWE} & \overline{BW}_x to define a write cycle (see Write Cycle Descriptions table).

■ = DON'T CARE ■ = UNDEFINED

Switching Waveforms (continued)

Read/Write Cycle Timing



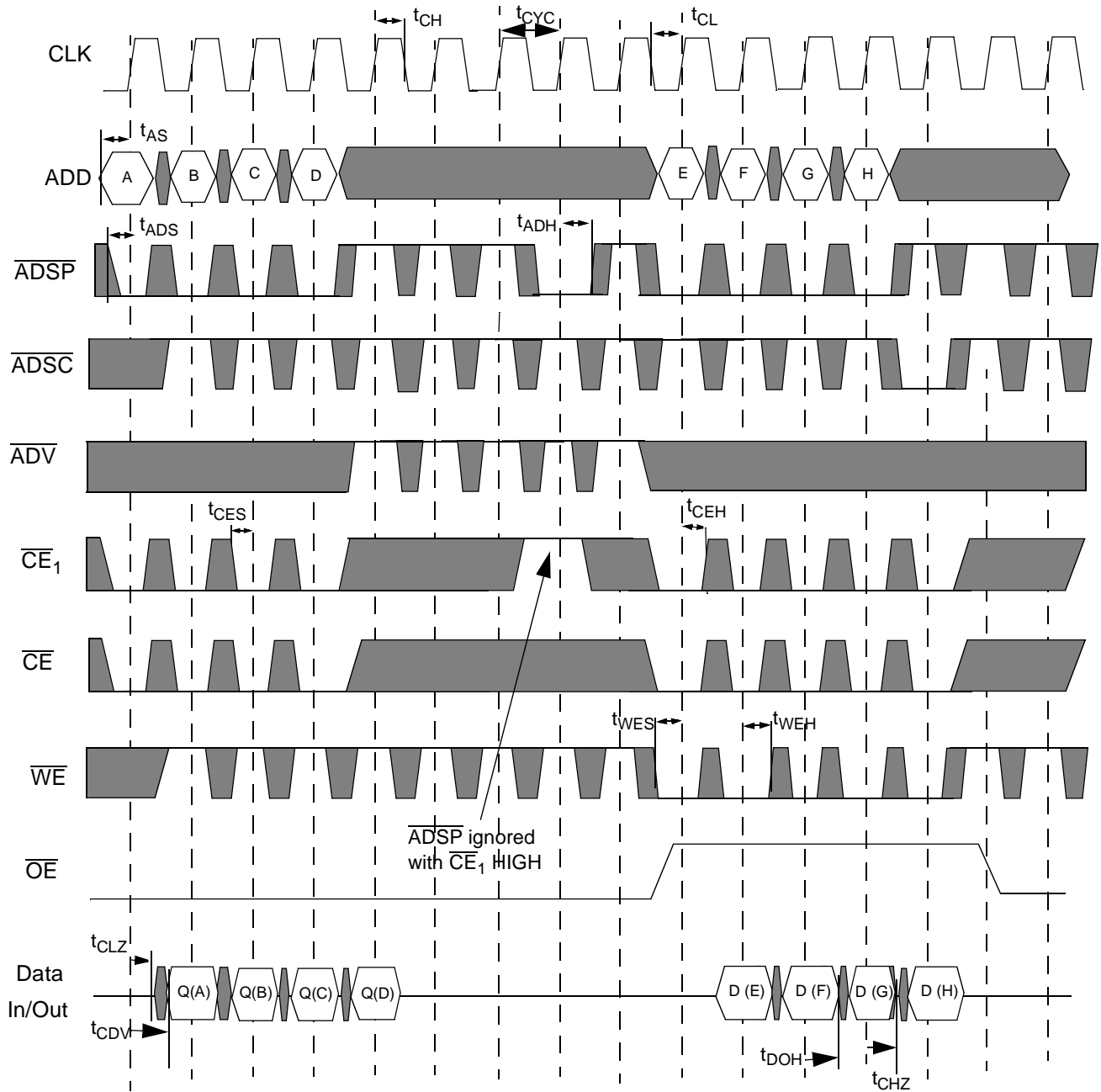
\overline{WE} is the combination of \overline{BWE} & \overline{BW}_x to define a write cycle (see Write Cycle Descriptions table).

■ = DON'T CARE ■ = UNDEFINED

Note: Write data forwarded to outputs on read immediately following a write.

Switching Waveforms (continued)

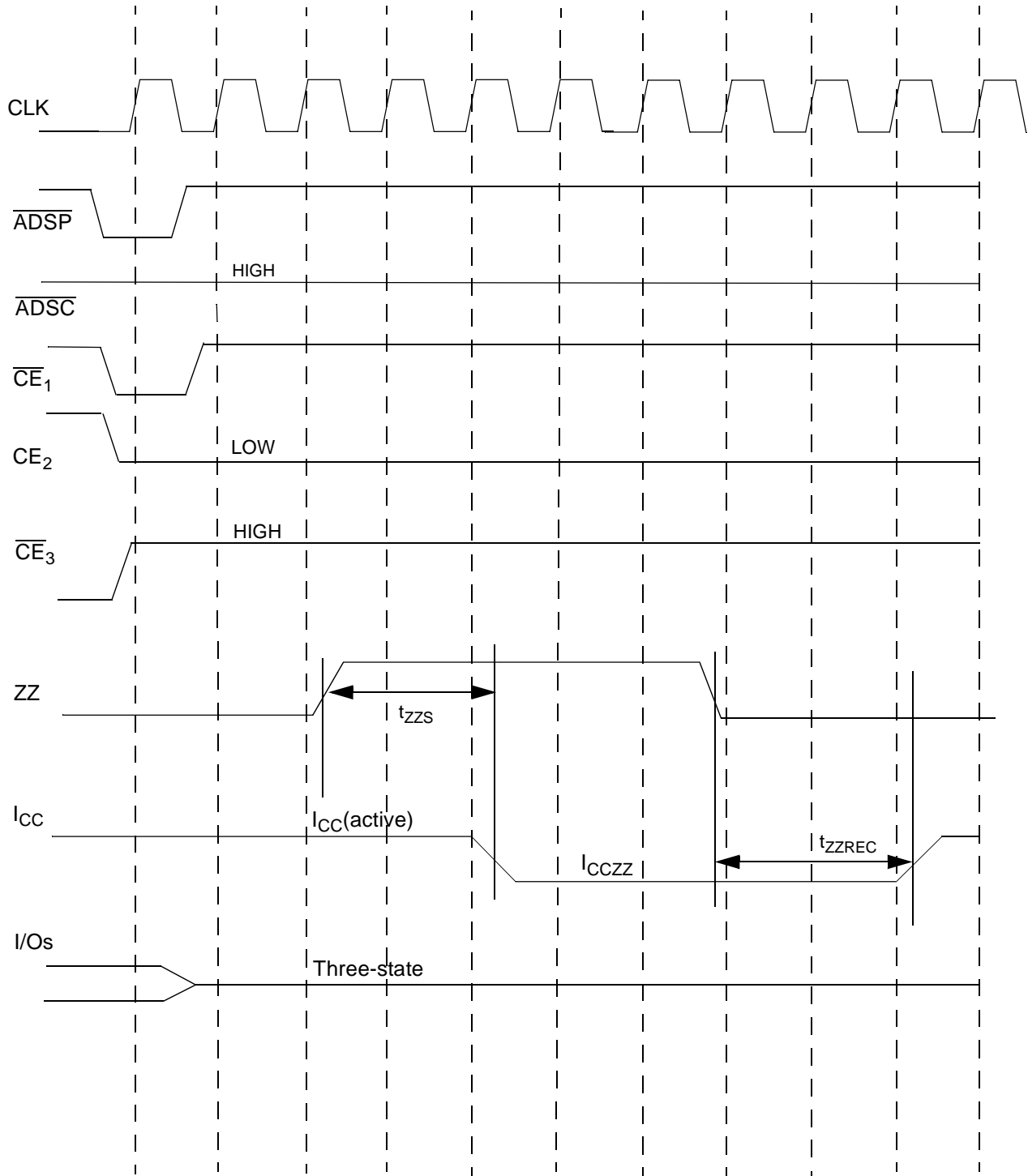
Pipeline Timing



Device originally deselected

\overline{WE} is the combination of \overline{BWE} , $\overline{BWS}_{[1:0]}$, and \overline{GW} to define a write cycle (see Write Cycle Description table). \overline{CE} is the combination of \overline{CE}_2 and \overline{CE}_3 . All chip selects need to be active in order to select the device. RAX stands for Read Address X, WAX stands for Write Address X, Dx stands for Data-in X, Qx stands for Data-out X.

■ = DON'T CARE ■ = UNDEFINED

Switching Waveforms (continued)
ZZ Mode Timing ^[11,12]

Notes:

11. Device must be deselected when entering ZZ mode. See Cycle Description for all possible signal conditions to deselect the device.
12. I/Os are in three-state when exiting ZZ sleep mode.

Ordering Information

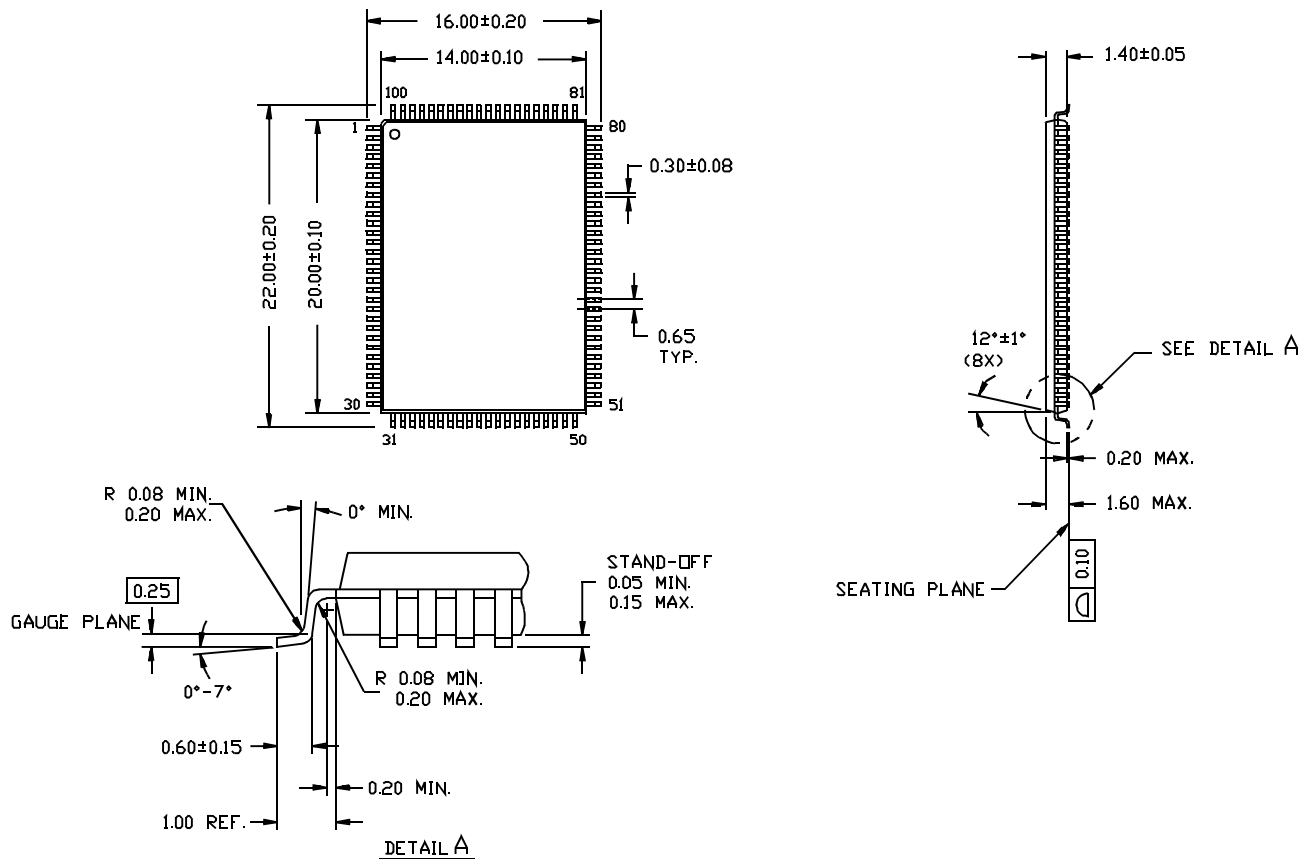
Speed (MHz)	Ordering Code	Package Name	Package Type	Operating Range
166	CY7C1327-166AC	A101	100-Lead Thin Quad Flat Pack	Commercial
166	CY7C1327L-166AC	A101	100-Lead Thin Quad Flat Pack	Commercial
133	CY7C1327-133AC	A101	100-Lead Thin Quad Flat Pack	Commercial
133	CY7C1327L-133AC	A101	100-Lead Thin Quad Flat Pack	Commercial
117	CY7C1327-117AC	A101	100-Lead Thin Quad Flat Pack	Commercial
117	CY7C1327L-117AC	A101	100-Lead Thin Quad Flat Pack	Commercial
100	CY7C1327-100AC	A101	100-Lead Thin Quad Flat Pack	Commercial
100	CY7C1327L-100AC	A101	100-Lead Thin Quad Flat Pack	Commercial

Document #: 38-00721

Package Diagram

100-Pin Thin Plastic Quad Flatpack (14 x 20 x 1.4 mm) A101

DIMENSIONS ARE IN MILLIMETERS.



51-85050-A