

# LP2950/LP2951 Series of Adjustable Micropower Voltage Regulators

## General Description

The LP2950 and LP2951 are micropower voltage regulators with very low quiescent current (75µA typ.) and very low dropout voltage (typ. 40mV at light loads and 380mV at 100mA). They are ideally suited for use in battery-powered systems. Furthermore, the quiescent current of the LP2950/LP2951 increases only slightly in dropout, prolonging battery life.

The LP2950-5.0 is available in the surface-mount D-Pak package, and in the popular 3-pin TO-92 package for pin-compatibility with older 5V regulators. The 8-lead LP2951 is available in plastic, ceramic dual-in-line, LLP, or metal can packages and offers additional system functions.

One such feature is an error flag output which warns of a low output voltage, often due to falling batteries on the input. It may be used for a power-on reset. A second feature is the logic-compatible shutdown input which enables the regulator to be switched on and off. Also, the part may be pin-strapped for a 5V, 3V, or 3.3V output (depending on the version), or programmed from 1.24V to 29V with an external pair of resistors.

Careful design of the LP2950/LP2951 has minimized all contributions to the error budget. This includes a tight initial tolerance (.5% typ.), extremely good load and line regulation

(.05% typ.) and a very low output voltage temperature coefficient, making the part useful as a low-power voltage reference.

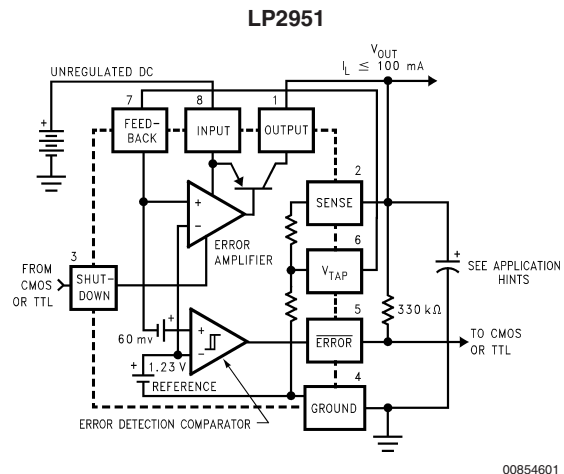
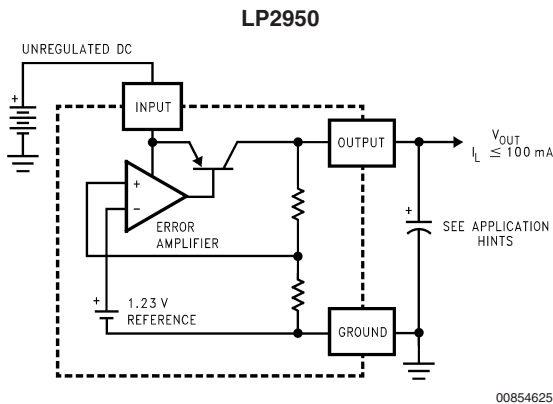
## Features

- 5V, 3V, and 3.3V versions available
- High accuracy output voltage
- Guaranteed 100mA output current
- Extremely low quiescent current
- Low dropout voltage
- Extremely tight load and line regulation
- Very low temperature coefficient
- Use as Regulator or Reference
- Needs minimum capacitance for stability
- Current and Thermal Limiting
- Stable with low-ESR output capacitors (10mΩ to 6Ω)

## LP2951 versions only

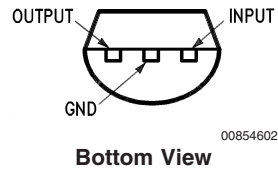
- Error flag warns of output dropout
- Logic-controlled electronic shutdown
- Output programmable from 1.24 to 29V

## Block Diagram and Typical Applications

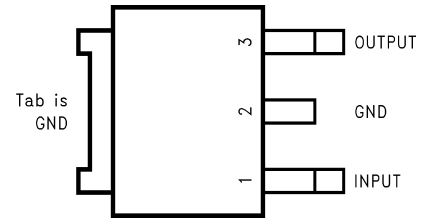


## Connection Diagrams

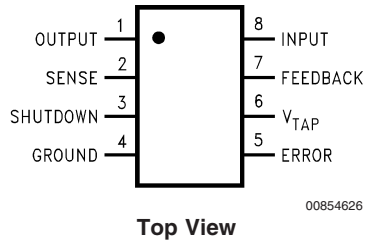
### TO-92 Plastic Package (Z)



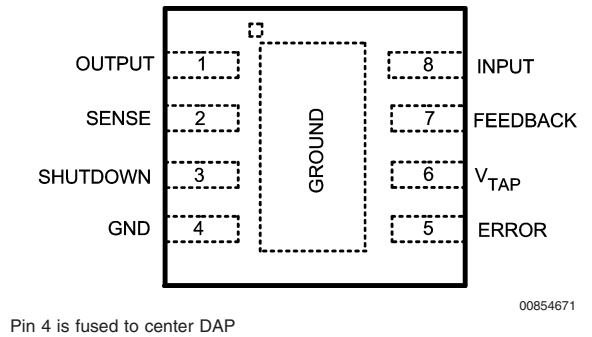
### TO-252 (D-Pak)



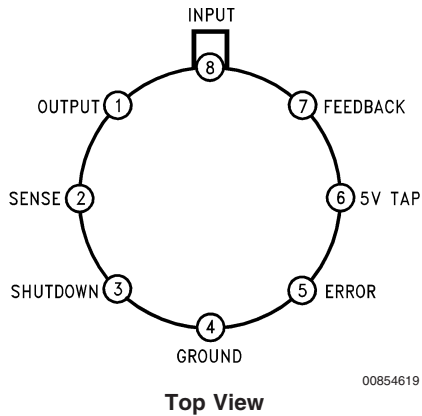
### Dual-In-Line Packages (N, J) Surface-Mount Package (M, MM)



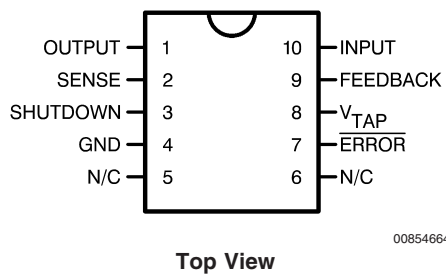
### 8-Lead LLP



### Metal Can Package (H)



### 10-Lead Ceramic Surface-Mount Package (WG)



## Ordering Information

Package	Temperature Range	Part Number	Package Marking	Transport Media	NSC Drawing
TO-92 (Z)	-40 < T <sub>J</sub> < 125	LP2950ACZ-3.0	2950A CZ3.0	Bag	Z03A
		LP2950CZ-3.0	2950 CZ3.0	Bag	
		LP2950ACZ-3.3	2950A CZ3.3	Bag	
		LP2950CZ-3.3	2950 CZ3.3	Bag	
		LP2950ACZ-5.0	2950A CZ5.0	Bag	
		LP2950CZ-5.0	2950 CZ5.0	Bag	
TO-252 (D-Pak)	-40 < T <sub>J</sub> < 125	LP2950CDT-3.0	LP2950CDT-3.0	75 Units/Rail	TD03B
		LP2950CDTX-3.0		2.5k Units Tape and Reel	
		LP2950CDT-3.3	LP2950CDT-3.3	75 Units/Rail	
		LP2950CDTX-3.3		2.5k Units Tape and Reel	
		LP2950CDT-5.0	LP2950CDT-5.0	75 Units/Rail	
		LP2950CDTX-5.0		2.5k Units Tape and Reel	
N (N-08E)	-40 < T <sub>J</sub> < 125	LP2951ACN-3.0	LP2951ACN-3.0	40 Units/Rail	N08E
		LP2951CN-3.0	LP2951CN-3.0	40 Units/Rail	
		LP2951ACN-3.3	LP2951ACN-3.3	40 Units/Rail	
		LP2951CN-3.3	LP2951CN-3.3	40 Units/Rail	
		LP2951ACN	LP2951ACN	40 Units/Rail	
		LP2951CN	LP2951CN	40 Units/Rail	
M (M08A)	-40 < T <sub>J</sub> < 125	LP2951ACM-3.0	2951ACM30* (where * is die rev letter)	95 Units/Rail	M08A
		LP2951ACMX-3.0		2.5k Units Tape and Reel	
		LP2951CM-3.0	2951CM30* (where * is die rev letter)	95 Units/Rail	
		LP2951CMX-3.0		2.5k Units Tape and Reel	
		LP2951ACM-3.3	2951ACM33* (where * is die rev letter)	95 Units/Rail	
		LP2951ACMX-3.3		2.5k Units Tape and Reel	
		LP2951CM-3.3	2951CM33* (where * is die rev letter)	95 Units/Rail	
		LP2951CMX-3.3		2.5k Units Tape and Reel	
		LP2951ACM	2951ACM* (where * is die rev letter)	95 Units/Rail	
		LP2951ACMX		2.5k Units Tape and Reel	
		LP2951CM	2951CM* (where * is die rev letter)	95 Units/Rail	
		LP2951CMX		2.5k Units Tape and Reel	
MM (MUA08A)	-40 < T <sub>J</sub> < 125	LP2951ACMM-3.0	L0BA	1k Units Tape and Reel	MUA08A
		LP2951ACMMX-3.0		3.5k Units Tape and Reel	
		LP2951CMM-3.0	L0BB	1k Units Tape and Reel	
		LP2951CMMX-3.0		3.5k Units Tape and Reel	
		LP2951ACMM-3.3	L0CA	1k Units Tape and Reel	
		LP2951ACMMX-3.3		3.5k Units Tape and Reel	
		LP2951CMM-3.3	L0CB	1k Units Tape and Reel	
		LP2951CMMX-3.3		3.5k Units Tape and Reel	
		LP2951ACMM	L0DA	1k Units Tape and Reel	
		LP2951ACMMX		3.5k Units Tape and Reel	
		LP2951CMM	L0DB	1k Units Tape and Reel	
		LP2951CMMX		3.5k Units Tape and Reel	
J (J08A)	-55 < T <sub>J</sub> < 150	LP2951J/883	See MIL/AERO Datasheet	40 Units/Rail	J08A
H (H08C)	-55 < T <sub>J</sub> < 150	LP2951H/883	See MIL/AERO Datasheet	Tray	H08C
WG (WG10A)	-55 < T <sub>J</sub> < 150	LP2951WG/883	See MIL/AERO Datasheet	Tray	WG10A

## Ordering Information (Continued)

Package	Temperature Range	Part Number	Package Marking	Transport Media	NSC Drawing
8-lead LLP	-40 < T <sub>J</sub> < 125	LP2951ACSD-3.0	51AC30	1k Units Tape and Reel	SDC08A
		LP2951ACSDX-3.0		4.5k Units Tape and Reel	
		LP2951CSD-3.0	51AC30B	1k Units Tape and Reel	
		LP2951CSDX-3.0		4.5k Units Tape and Reel	
		LP2951ACSD-3.3	51AC33	1k Units Tape and Reel	
		LP2951ACSDX-3.3		4.5k Units Tape and Reel	
		LP2951CSD-3.3	51AC33B	1k Units Tape and Reel	
		LP2951CSDX-3.3		4.5k Units Tape and Reel	
		LP2951ACSD	2951AC	1k Units Tape and Reel	
		LP2951ACSDX		4.5k Units Tape and Reel	
		LP2951CSD	2951ACB	1k Units Tape and Reel	
		LP2951CSDX		4.5k Units Tape and Reel	

### Absolute Maximum Ratings (Note 1)

If Military/Aerospace specified devices are required, please contact the National Semiconductor Sales Office/Distributors for availability and specifications.

Input Supply Voltage	-0.3 to +30V
SHUTDOWN Input Voltage, Error Comparator Output Voltage, (Note 9)	
FEEDBACK Input Voltage (Note 9) (Note 10)	-1.5 to +30V
Power Dissipation	Internally Limited
Junction Temperature (T <sub>J</sub> )	+150°C
Ambient Storage Temperature	-65° to +150°C
Soldering Dwell Time, Temperature	
Wave	4 seconds, 260°C
Infrared	10 seconds, 240°C
Vapor Phase	75 seconds, 219°C

### ESD Rating

Human Body Model(Note 18) 2500V

### Operating Ratings (Note 1)

Maximum Input Supply Voltage	30V
Junction Temperature Range (T <sub>J</sub> ) (Note 8)	
LP2951	-55° to +150°C
LP2950AC-XX, LP2950C-XX, LP2951AC-XX, LP2951C-XX	-40° to +125°C

### Electrical Characteristics (Note 2)

Parameter	Conditions (Note 2)	LP2951		LP2950AC-XX LP2951AC-XX			LP2950C-XX LP2951C-XX			Units
		Typ	Tested Limit (Notes 3, 16)	Typ	Tested Limit (Note 3)	Design Limit (Note 4)	Typ	Tested Limit (Note 3)	Design Limit (Note 4)	
<b>3V Versions (Note 17)</b>										
Output Voltage	T <sub>J</sub> = 25°C	3.0	3.015 2.985	3.0	3.015 2.985		3.0	3.030 2.970		V max V min
	-25°C ≤ T <sub>J</sub> ≤ 85°C	3.0		3.0		3.030 2.970	3.0		3.045 2.955	V max V min
	Full Operating Temperature Range	3.0	<b>3.036</b> <b>2.964</b>	3.0		<b>3.036</b> <b>2.964</b>	3.0		<b>3.060</b> <b>2.940</b>	V max V min
Output Voltage	100µA ≤ I <sub>L</sub> ≤ 100mA	3.0	<b>3.045</b>	3.0		<b>3.042</b>	3.0		<b>3.072</b>	V max
	T <sub>J</sub> ≤ T <sub>JMAX</sub>		<b>2.955</b>			<b>2.958</b>			<b>2.928</b>	V min
<b>3.3V Versions (Note 17)</b>										
Output Voltage	T <sub>J</sub> = 25°C	3.3	3.317 3.284	3.3	3.317 3.284		3.3	3.333 3.267		V max V min
	-25°C ≤ T <sub>J</sub> ≤ 85°C	3.3		3.3		3.333 3.267	3.3		3.350 3.251	V max V min
	Full Operating Temperature Range	3.3	<b>3.340</b> <b>3.260</b>	3.3		<b>3.340</b> <b>3.260</b>	3.3		<b>3.366</b> <b>3.234</b>	V max V min
Output Voltage	100µA ≤ I <sub>L</sub> ≤ 100mA	3.3	<b>3.350</b>	3.3		<b>3.346</b>	3.3		<b>3.379</b>	V max
	T <sub>J</sub> ≤ T <sub>JMAX</sub>		<b>3.251</b>			<b>3.254</b>			<b>3.221</b>	V min
<b>5V Versions (Note 17)</b>										
Output Voltage	T <sub>J</sub> = 25°C	5.0	5.025 4.975	5.0	5.025 4.975		5.0	5.05 4.95		V max V min
	-25°C ≤ T <sub>J</sub> ≤ 85°C	5.0		5.0		5.05 4.95	5.0		5.075 4.925	V max V min
	Full Operating	5.0	<b>5.06</b>	5.0		<b>5.06</b>	5.0		<b>5.1</b>	V max

<b>Electrical Characteristics</b> (Note 2) (Continued)												
Parameter	Conditions (Note 2)	LP2951		LP2950AC-XX LP2951AC-XX			LP2950C-XX LP2951C-XX			Units		
		Typ	Tested Limit (Notes 3, 16)	Typ	Tested Limit (Note 3)	Design Limit (Note 4)	Typ	Tested Limit (Note 3)	Design Limit (Note 4)			
	Temperature Range		<b>4.94</b>			<b>4.94</b>			<b>4.9</b>	V min		
Output Voltage	$100\mu\text{A} \leq I_L \leq 100\text{mA}$	5.0	<b>5.075</b>	5.0		<b>5.075</b>	5.0		<b>5.12</b>	V max		
	$T_J \leq T_{J\text{MAX}}$		<b>4.925</b>			<b>4.925</b>			<b>4.88</b>	V min		
<b>All Voltage Options</b>												
Output Voltage Temperature Coefficient	(Note 12)	<b>20</b>	<b>120</b>	<b>20</b>		<b>100</b>	<b>50</b>		<b>150</b>	ppm/°C		
Line Regulation (Note 14)	$(V_{\text{O,NOM}} + 1)\text{V} \leq V_{\text{in}} \leq 30\text{V}$ (Note 15)	0.03	0.1	0.03	0.1	<b>0.2</b>	0.04	0.2	<b>0.4</b>	% max		
			<b>0.5</b>								% max	
Load Regulation (Note 14)	$100\mu\text{A} \leq I_L \leq 100\text{mA}$	0.04	0.1	0.04	0.1	<b>0.2</b>	0.1	0.2	<b>0.3</b>	% max		
			<b>0.3</b>								% max	
Dropout Voltage (Note 5)	$I_L = 100\mu\text{A}$	50	80	50	80	<b>150</b>	50	80	<b>150</b>	mV max		
			<b>150</b>								mV max	
			$I_L = 100\text{mA}$		450			450		<b>600</b>	450	<b>600</b>
Ground Current	$I_L = 100\mu\text{A}$	75	120	75	120	<b>140</b>	75	120	<b>140</b>	$\mu\text{A}$ max		
			<b>140</b>								$\mu\text{A}$ max	
			$I_L = 100\text{mA}$		8			8		<b>14</b>	8	<b>14</b>
			<b>14</b>						<b>14</b>	mA max		
Dropout	$V_{\text{in}} = (V_{\text{O,NOM}} - 0.5)\text{V}$	110	170	110	170		110	170		$\mu\text{A}$ max		
Ground Current	$I_L = 100\mu\text{A}$		<b>200</b>			<b>200</b>			<b>200</b>	$\mu\text{A}$ max		
Current Limit	$V_{\text{out}} = 0$	160	200	160	200	<b>220</b>	160	200	<b>220</b>	mA max		
			<b>220</b>								<b>220</b>	mA max
Thermal Regulation	(Note 13)	0.05	0.2	0.05	0.2		0.05	0.2		%/W max		
Output Noise, 10 Hz to 100 kHz	$C_L = 1\mu\text{F}$ (5V Only)	430		430			430			$\mu\text{V}$ rms		
	$C_L = 200\mu\text{F}$	160		160			160			$\mu\text{V}$ rms		
	$C_L = 3.3\mu\text{F}$ (Bypass = $0.01\mu\text{F}$ Pins 7 to 1 (LP2951))	100		100			100			$\mu\text{V}$ rms		
<b>8-pin Versions Only</b>		<b>LP2951</b>		<b>LP2951AC-XX</b>			<b>LP2951C-XX</b>					
Reference Voltage		1.235	1.25	1.235	1.25	<b>1.26</b>	1.235	1.26	<b>1.27</b>	V max		
			<b>1.26</b>								V max	
			1.22					1.22			1.21	V min
			<b>1.2</b>					<b>1.2</b>			<b>1.2</b>	V min
Reference Voltage	(Note 7)		<b>1.27</b>		<b>1.27</b>			<b>1.285</b>	V max			
			<b>1.19</b>				<b>1.19</b>			<b>1.185</b>	V min	
Feedback Pin Bias Current		20	40	20	40		20	40		nA max		
			<b>60</b>			<b>60</b>		<b>60</b>		nA max		
Reference Voltage	(Note 12)	20		20			50			ppm/°C		

**Electrical Characteristics** (Note 2) (Continued)

Parameter	Conditions (Note 2)	LP2951		LP2950AC-XX LP2951AC-XX			LP2950C-XX LP2951C-XX			Units
		Typ	Tested Limit (Notes 3, 16)	Typ	Tested Limit (Note 3)	Design Limit (Note 4)	Typ	Tested Limit (Note 3)	Design Limit (Note 4)	
<b>All Voltage Options</b>										
Temperature Coefficient										
Feedback Pin Bias Current Temperature Coefficient		0.1		0.1			0.1			nA/°C
<b>Error Comparator</b>										
Output Leakage Current	$V_{OH} = 30V$	0.01	1 <b>2</b>	0.01	1	<b>2</b>	0.01	1	<b>2</b>	$\mu A$ max $\mu A$ max
Output Low Voltage	$V_{in} = (V_{ONOM} - 0.5)V$ $I_{OL} = 400\mu A$	150	250 <b>400</b>	150	250	<b>400</b>	150	250	<b>400</b>	mV max mV max
Upper Threshold Voltage	(Note 6)	60	40 <b>25</b>	60	40	<b>25</b>	60	40	<b>25</b>	mV min mV min
Lower Threshold Voltage	(Note 6)	75	95 <b>140</b>	75	95	<b>140</b>	75	95	<b>140</b>	mV max mV max
Hysteresis	(Note 6)	15		15			15			mV
<b>Shutdown Input</b>										
Input Logic Voltage	Low (Regulator ON) High (Regulator OFF)	1.3	<b>0.6</b> <b>2.0</b>	1.3		<b>0.7</b> <b>2.0</b>	1.3		<b>0.7</b> <b>2.0</b>	V V max V min
Shutdown Pin Input Current	$V_{shutdown} = 2.4V$	30	50 <b>100</b>	30	50	<b>100</b>	30	50	<b>100</b>	$\mu A$ max $\mu A$ max
	$V_{shutdown} = 30V$	450	600 <b>750</b>	450	600	<b>750</b>	450	600	<b>750</b>	$\mu A$ max $\mu A$ max
Regulator Output Current in Shutdown	(Note 11)	3	10 <b>20</b>	3	10	<b>20</b>	3	10	<b>20</b>	$\mu A$ max $\mu A$ max

**Note 1:** Absolute Maximum Ratings are limits beyond which damage to the device may occur. Operating Ratings are conditions under which operation of the device is guaranteed. Operating Ratings do not imply guaranteed performance limits. For guaranteed performance limits and associated test conditions, see the Electrical Characteristics tables.

**Note 2:** Unless otherwise specified all limits guaranteed for  $V_{IN} = (V_{ONOM} + 1)V$ ,  $I_L = 100\mu A$  and  $C_L = 1\mu F$  for 5V versions and 2.2 $\mu F$  for 3V and 3.3V versions. Limits appearing in **boldface** type apply over the entire junction temperature range for operation. Limits appearing in normal type apply for  $T_A = T_J = 25^\circ C$ . Additional conditions for the 8-pin versions are FEEDBACK tied to  $V_{TAP}$ , OUTPUT tied to SENSE, and  $V_{SHUTDOWN} \leq 0.8V$ .

**Note 3:** Guaranteed and 100% production tested.

**Note 4:** Guaranteed but not 100% production tested. These limits are not used to calculate outgoing AQL levels.

**Note 5:** Dropout Voltage is defined as the input to output differential at which the output voltage drops 100 mV below its nominal value measured at 1V differential. At very low values of programmed output voltage, the minimum input supply voltage of 2V (2.3V over temperature) must be taken into account.

**Note 6:** Comparator thresholds are expressed in terms of a voltage differential at the Feedback terminal below the nominal reference voltage measured at  $V_{in} = (V_{ONOM} + 1)V$ . To express these thresholds in terms of output voltage change, multiply by the error amplifier gain =  $V_{out}/V_{ref} = (R1 + R2)/R2$ . For example, at a programmed output voltage of 5V, the Error output is guaranteed to go low when the output drops by  $95mV \times 5V/1.235V = 384$  mV. Thresholds remain constant as a percent of  $V_{out}$  as  $V_{out}$  is varied, with the dropout warning occurring at typically 5% below nominal, 7.5% guaranteed.

**Note 7:**  $V_{ref} \leq V_{out} \leq (V_{in} - 1V)$ ,  $2.3V \leq V_{in} \leq 30V$ ,  $100\mu A \leq I_L \leq 100mA$ ,  $T_J \leq T_{JMAX}$ .

**Note 8:** The junction-to-ambient thermal resistances are as follows: 180°C/W and 160°C/W for the TO-92 package with 0.40 inch and 0.25 inch leads to the printed circuit board (PCB) respectively, 105°C/W for the molded plastic DIP (N), 130°C/W for the ceramic DIP (J), 160°C/W for the molded plastic SOP (M), 200°C/W for the molded plastic MSOP (MM), and 160°C/W for the metal can package (H). The above thermal resistances for the N, J, M, and MM packages apply when the package is soldered directly to the PCB. Junction-to-case thermal resistance for the H package is 20°C/W. Junction-to-case thermal resistance for the TO-252 package is 5.4°C/W. The value of  $\theta_{JA}$  for the LLP package is typically 51°C/W but is dependent on the PCB trace area, trace material, and the number of layers and thermal vias. For details of thermal resistance and power dissipation for the LLP package, refer to Application Note AN-1187.

**Note 9:** May exceed input supply voltage.

## Electrical Characteristics (Note 2) (Continued)

**Note 10:** When used in dual-supply systems where the output terminal sees loads returned to a negative supply, the output voltage should be diode-clamped to ground.

**Note 11:**  $V_{\text{shutdown}} \geq 2\text{V}$ ,  $V_{\text{in}} \leq 30\text{V}$ ,  $V_{\text{out}} = 0$ , Feedback pin tied to  $V_{\text{TAP}}$ .

**Note 12:** Output or reference voltage temperature coefficient is defined as the worst case voltage change divided by the total temperature range.

**Note 13:** Thermal regulation is defined as the change in output voltage at a time T after a change in power dissipation is applied, excluding load or line regulation effects. Specifications are for a 50mA load pulse at  $V_{\text{IN}} = 30\text{V}$  (1.25W pulse) for  $T = 10\text{ms}$ .

**Note 14:** Regulation is measured at constant junction temperature, using pulse testing with a low duty cycle. Changes in output voltage due to heating effects are covered under the specification for thermal regulation.

**Note 15:** Line regulation for the LP2951 is tested at  $150^\circ\text{C}$  for  $I_{\text{L}} = 1\text{mA}$ . For  $I_{\text{L}} = 100\mu\text{A}$  and  $T_{\text{J}} = 125^\circ\text{C}$ , line regulation is guaranteed by design to 0.2%. See Typical Performance Characteristics for line regulation versus temperature and load current.

**Note 16:** A Military RETS specification is available on request. At time of printing, the LP2951 RETS specification complied with the boldface limits in this column. The LP2951H, WG, or J may also be procured as Standard Military Drawing Spec #5962-3870501MGA, MXA, or MPA.

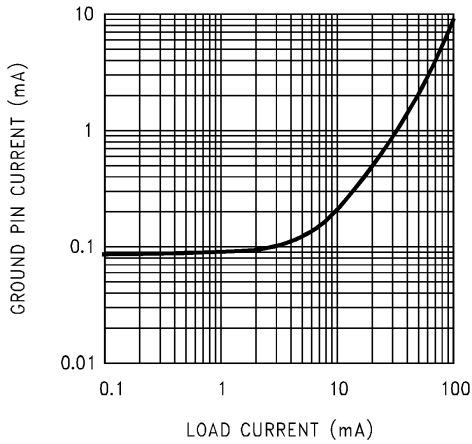
**Note 17:** All LP2950 devices have the nominal output voltage coded as the last two digits of the part number. In the LP2951 products, the 3.0V and 3.3V versions are designated by the last two digits, but the 5V version is denoted with no code at this location of the part number (refer to ordering information table).

**Note 18:** Human Body Model  $1.5\text{k}\Omega$  in series with  $100\text{pF}$ .



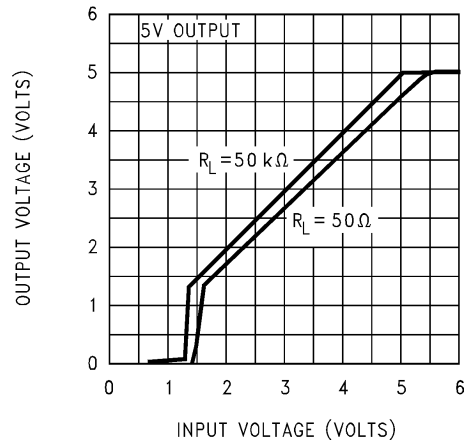
# Typical Performance Characteristics

**Quiescent Current**



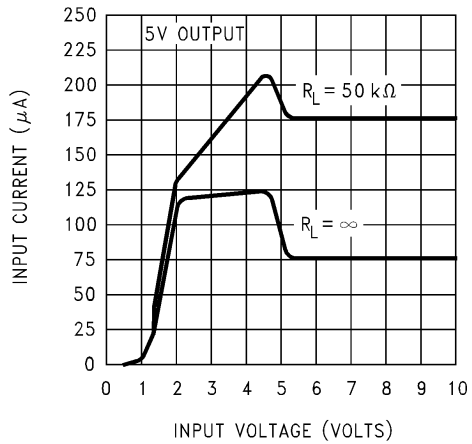
00854627

**Dropout Characteristics**



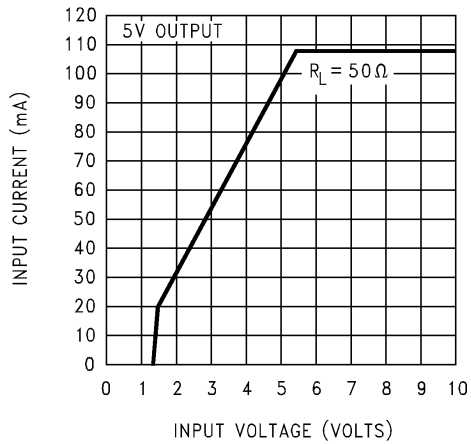
00854628

**Input Current**



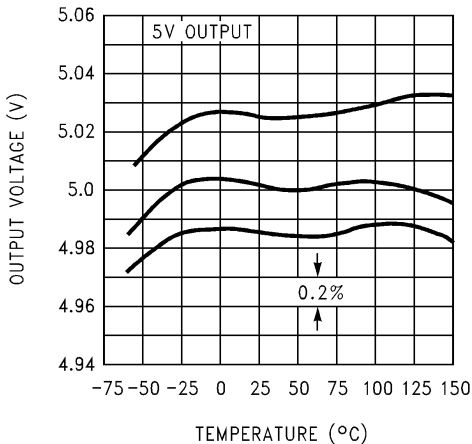
00854629

**Input Current**



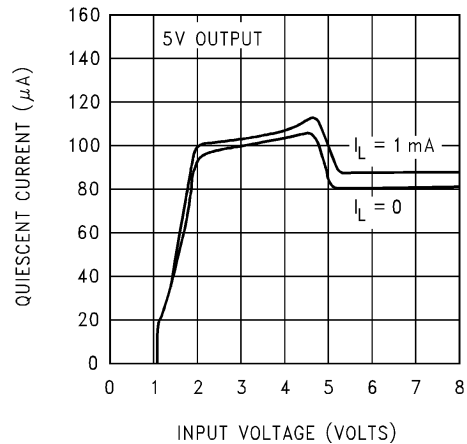
00854630

**Output Voltage vs. Temperature of 3 Representative Units**



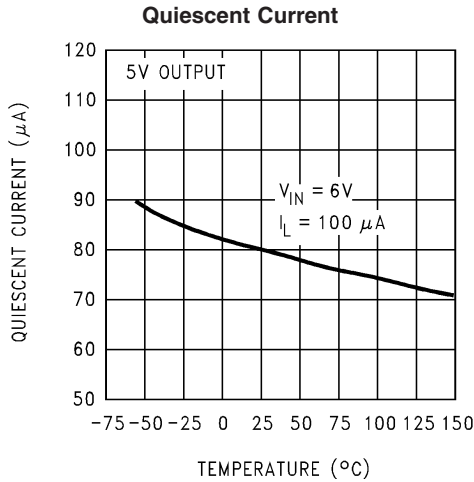
00854631

**Quiescent Current**

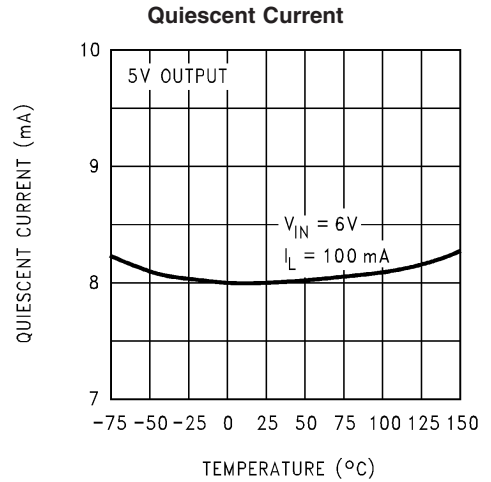


00854632

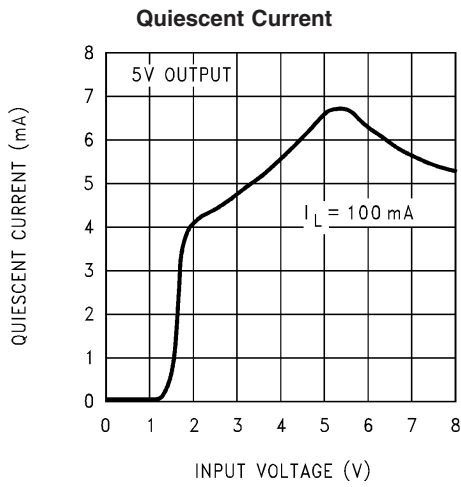
Typical Performance Characteristics (Continued)



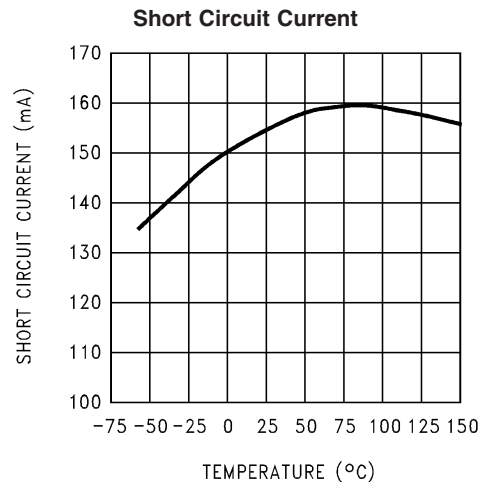
00854633



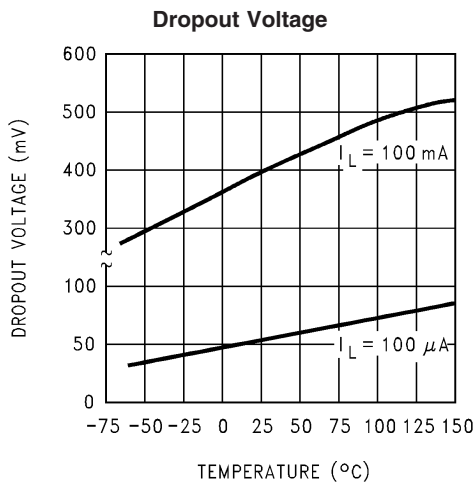
00854634



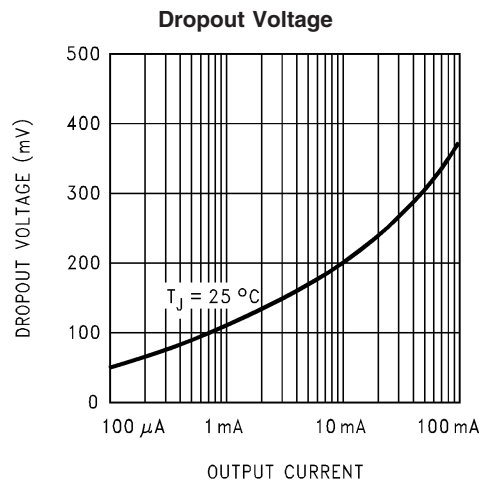
00854635



00854636



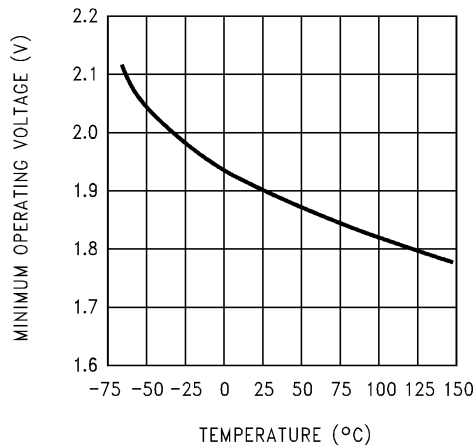
00854637



00854638

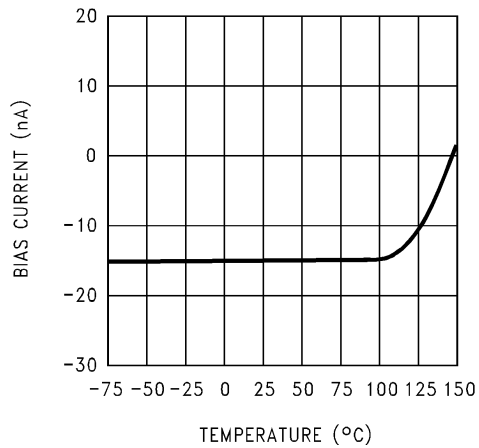
# Typical Performance Characteristics (Continued)

**LP2951 Minimum Operating Voltage**



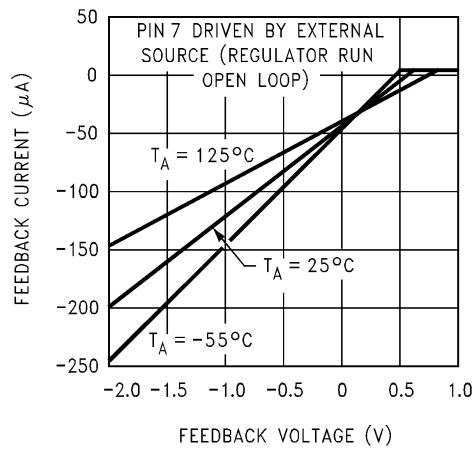
00854639

**LP2951 Feedback Bias Current**



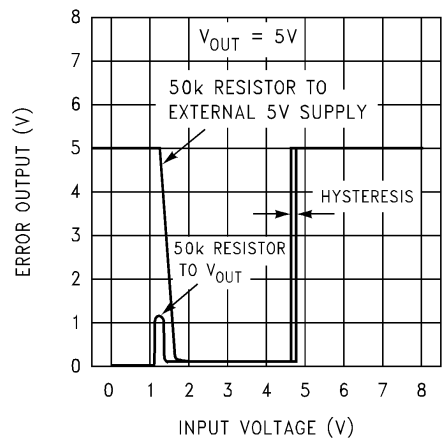
00854640

**LP2951 Feedback Pin Current**



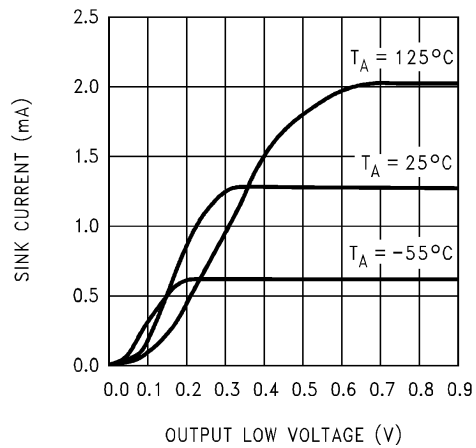
00854641

**LP2951 Error Comparator Output**



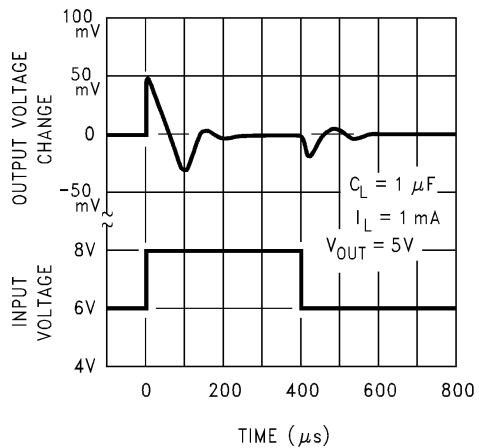
00854642

**LP2951 Comparator Sink Current**



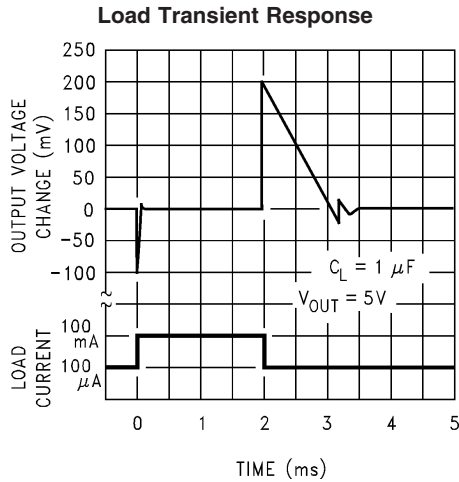
00854643

**Line Transient Response**

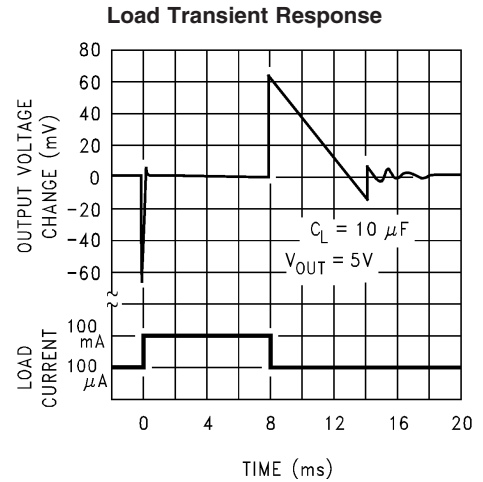


00854644

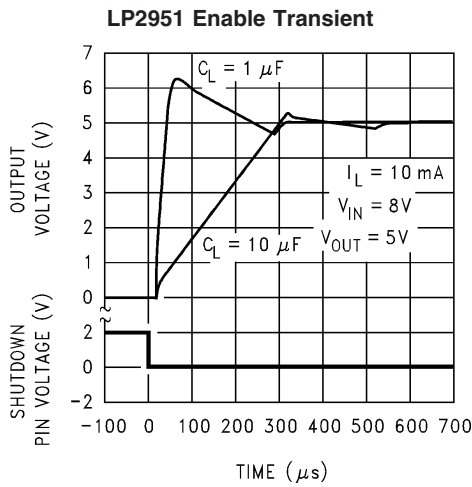
Typical Performance Characteristics (Continued)



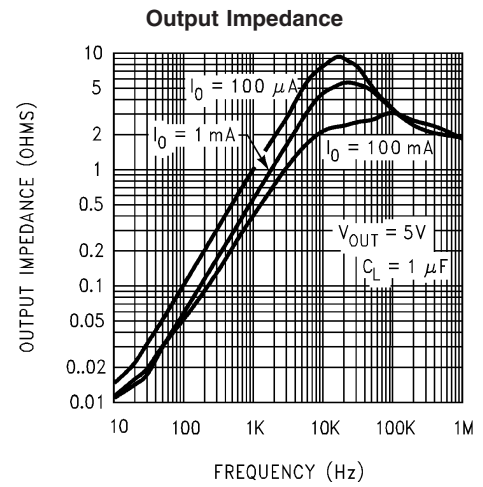
00854645



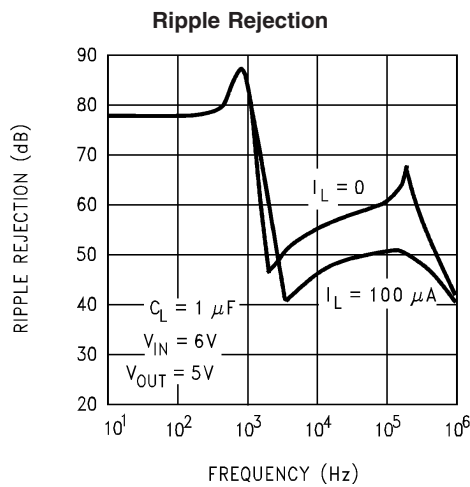
00854646



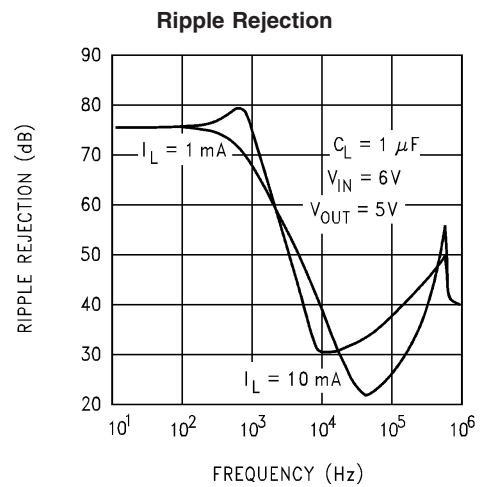
00854647



00854648

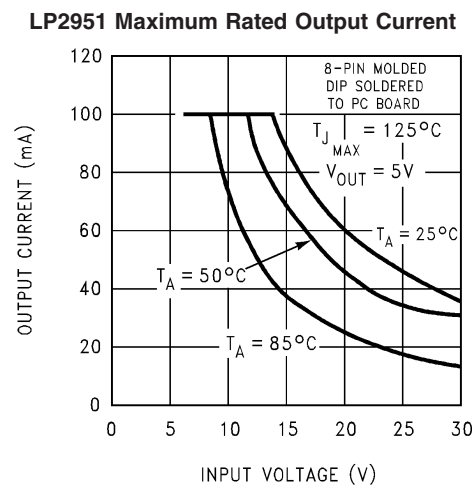
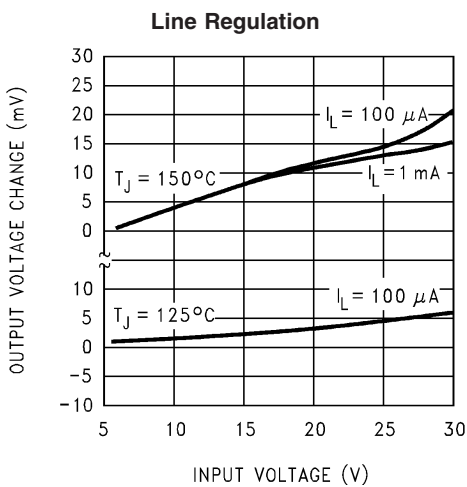
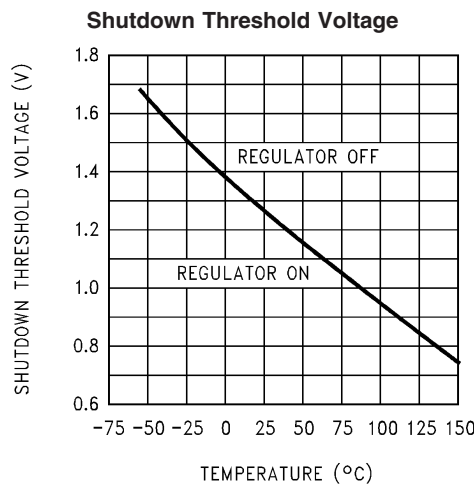
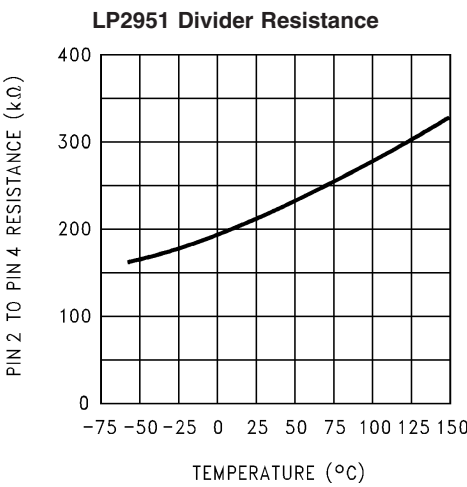
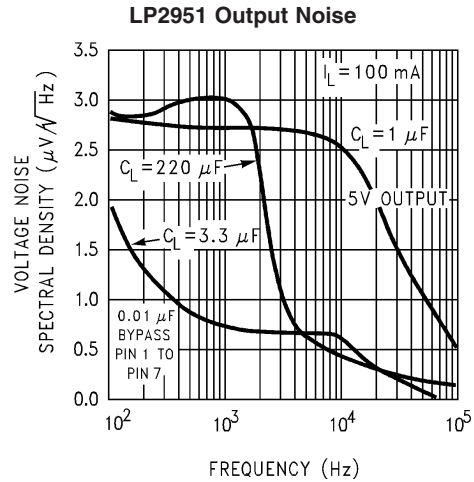
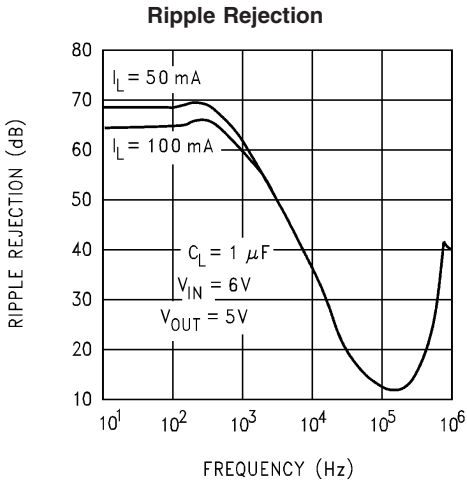


00854649



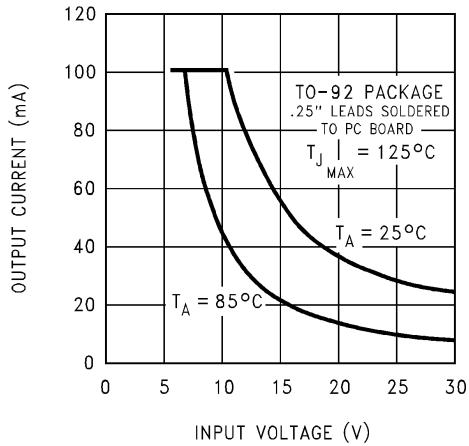
00854650

Typical Performance Characteristics (Continued)



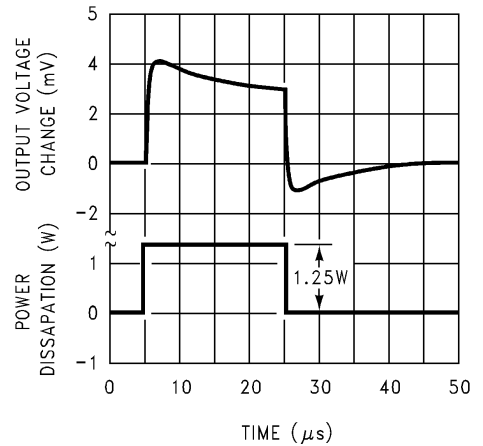
Typical Performance Characteristics (Continued)

LP2950 Maximum Rated Output Current



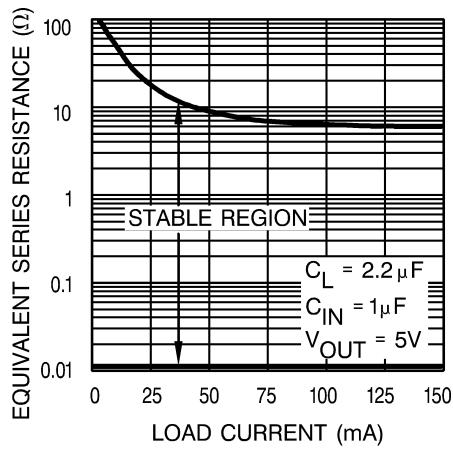
00854657

Thermal Response



00854658

Output Capacitor ESR Range



00854663

## Application Hints

### EXTERNAL CAPACITORS

A 1.0 $\mu$ F (or greater) capacitor is required between the output and ground for stability at output voltages of 5V or more. At lower output voltages, more capacitance is required (2.2 $\mu$ F or more is recommended for 3V and 3.3V versions). Without this capacitor the part will oscillate. Most types of tantalum or aluminum electrolytics work fine here; even film types work but are not recommended for reasons of cost. Many aluminum electrolytics have electrolytes that freeze at about  $-30^{\circ}\text{C}$ , so solid tantalums are recommended for operation below  $-25^{\circ}\text{C}$ . The important parameters of the capacitor are an ESR of about 5 $\Omega$  or less and a resonant frequency above 500kHz. The value of this capacitor may be increased without limit.

Ceramic capacitors whose value is greater than 1000pF should not be connected directly from the LP2951 output to ground. Ceramic capacitors typically have ESR values in the range of 5 to 10m $\Omega$ , a value below the lower limit for stable operation (see curve Output Capacitor ESR Range).

The reason for the lower ESR limit is that the loop compensation of the part relies on the ESR of the output capacitor to provide the zero that gives added phase lead. The ESR of ceramic capacitors is so low that this phase lead does not occur, significantly reducing phase margin. A ceramic output capacitor can be used if a series resistance is added (recommended value of resistance about 0.1 $\Omega$  to 2 $\Omega$ ).

At lower values of output current, less output capacitance is required for stability. The capacitor can be reduced to 0.33 $\mu$ F for currents below 10mA or 0.1 $\mu$ F for currents below 1mA. Using the adjustable versions at voltages below 5V runs the error amplifier at lower gains so that *more* output capacitance is needed. For the worst-case situation of a 100mA load at 1.23V output (Output shorted to Feedback) a 3.3 $\mu$ F (or greater) capacitor should be used.

Unlike many other regulators, the LP2950 will remain stable and in regulation with no load in addition to the internal voltage divider. This is especially important in CMOS RAM keep-alive applications. When setting the output voltage of the LP2951 versions with external resistors, a minimum load of 1 $\mu$ A is recommended.

A 1 $\mu$ F tantalum, ceramic or aluminum electrolytic capacitor should be placed from the LP2950/LP2951 input to ground if there is more than 10 inches of wire between the input and the AC filter capacitor or if a battery is used as the input.

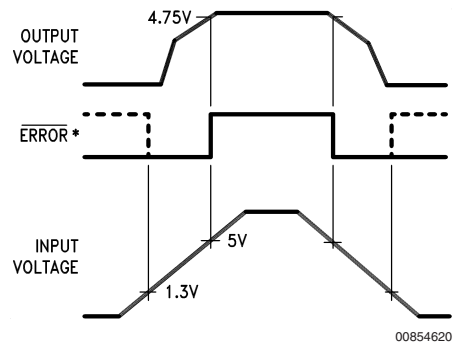
Stray capacitance to the LP2951 Feedback terminal can cause instability. This may especially be a problem when using high value external resistors to set the output voltage. Adding a 100pF capacitor between Output and Feedback and increasing the output capacitor to at least 3.3 $\mu$ F will fix this problem.

### ERROR DETECTION COMPARATOR OUTPUT

The comparator produces a logic low output whenever the LP2951 output falls out of regulation by more than approximately 5%. This figure is the comparator's built-in offset of about 60mV divided by the 1.235 reference voltage. (Refer to the block diagram in the front of the datasheet.) This trip level remains "5% below normal" regardless of the programmed output voltage of the 2951. For example, the error flag trip level is typically 4.75V for a 5V output or 11.4V for a 12V output. The out of regulation condition may be due either to low input voltage, current limiting, or thermal limiting.

Figure 1 below gives a timing diagram depicting the  $\overline{\text{ERROR}}$  signal and the regulated output voltage as the LP2951 input is ramped up and down. For 5V versions, the  $\overline{\text{ERROR}}$  signal becomes valid (low) at about 1.3V input. It goes high at about 5V input (the input voltage at which  $V_{\text{OUT}} = 4.75\text{V}$ ). Since the LP2951's dropout voltage is load-dependent (see curve in typical performance characteristics), the **input** voltage trip point (about 5V) will vary with the load current. The **output** voltage trip point (approx. 4.75V) does not vary with load.

The error comparator has an open-collector output which requires an external pullup resistor. This resistor may be returned to the output or some other supply voltage depending on system requirements. In determining a value for this resistor, note that while the output is rated to sink 400 $\mu$ A, this sink current adds to battery drain in a low battery condition. Suggested values range from 100k to 1 M $\Omega$ . The resistor is not required if this output is unused.



\*When  $V_{\text{IN}} \leq 1.3\text{V}$ , the error flag pin becomes a high impedance, and the error flag voltage rises to its pull-up voltage. Using  $V_{\text{OUT}}$  as the pull-up voltage (see Figure 2), rather than an external 5V source, will keep the error flag voltage under 1.2V (typ.) in this condition. The user may wish to divide down the error flag voltage using equal-value resistors (10k $\Omega$  suggested), to ensure a low-level logic signal during any fault condition, while still allowing a valid high logic level during normal operation.

FIGURE 1.  $\overline{\text{ERROR}}$  Output Timing

### PROGRAMMING THE OUTPUT VOLTAGE (LP2951)

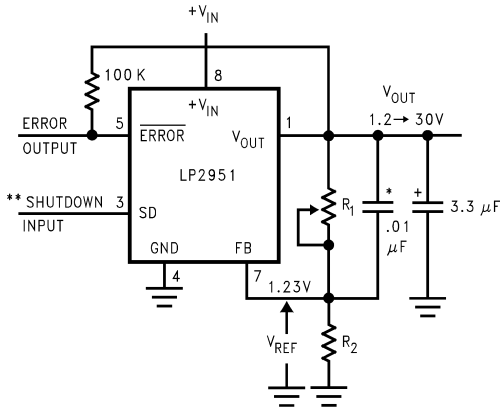
The LP2951 may be pin-strapped for the nominal fixed output voltage using its internal voltage divider by tying the output and sense pins together, and also tying the feedback and  $V_{\text{TAP}}$  pins together. Alternatively, it may be programmed for any output voltage between its 1.235V reference and its 30V maximum rating. As seen in Figure 2, an external pair of resistors is required.

The complete equation for the output voltage is

$$V_{\text{OUT}} = V_{\text{REF}} \cdot \left( 1 + \frac{R_1}{R_2} \right) + I_{\text{FB}} R_1$$

where  $V_{\text{REF}}$  is the nominal 1.235 reference voltage and  $I_{\text{FB}}$  is the feedback pin bias current, nominally  $-20\text{nA}$ . The minimum recommended load current of 1 $\mu$ A forces an upper limit of 1.2 M $\Omega$  on the value of  $R_2$ , if the regulator must work with no load (a condition often found in CMOS in standby).  $I_{\text{FB}}$  will produce a 2% typical error in  $V_{\text{OUT}}$  which may be eliminated at room temperature by trimming  $R_1$ . For better accuracy, choosing  $R_2 = 100\text{k}$  reduces this error to 0.17% while increasing the resistor program current to 12 $\mu$ A. Since the LP2951 typically draws 60 $\mu$ A at no load with Pin 2 open-circuited, this is a small price to pay.

## Application Hints (Continued)



00854607

\*See Application Hints

$$V_{out} = V_{Ref} \left( 1 + \frac{R_1}{R_2} \right)$$

\*\*Drive with TTL-high to shut down. Ground or leave open if shutdown feature is not to be used.

**Note:** Pins 2 and 6 are left open.

## REDUCING OUTPUT NOISE

In reference applications it may be advantageous to reduce the AC noise present at the output. One method is to reduce the regulator bandwidth by increasing the size of the output capacitor. This is the only way noise can be reduced on the 3 lead LP2950 but is relatively inefficient, as increasing the capacitor from 1μF to 220μF only decreases the noise from 430μV to 160μV rms for a 100kHz bandwidth at 5V output. Noise can be reduced fourfold by a bypass capacitor across R<sub>1</sub>, since it reduces the high frequency gain from 4 to unity. Pick

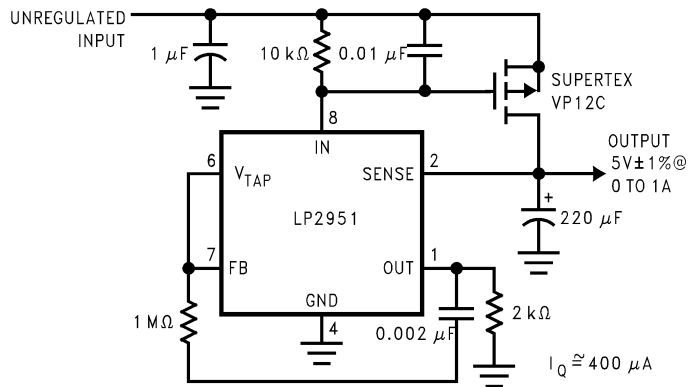
$$C_{BYPASS} \approx \frac{1}{2\pi R_1 \cdot 200 \text{ Hz}}$$

or about 0.01μF. When doing this, the output capacitor must be increased to 3.3μF to maintain stability. These changes reduce the output noise from 430μV to 100μV rms for a 100kHz bandwidth at 5V output. With the bypass capacitor added, noise no longer scales with output voltage so that improvements are more dramatic at higher output voltages.

FIGURE 2. Adjustable Regulator

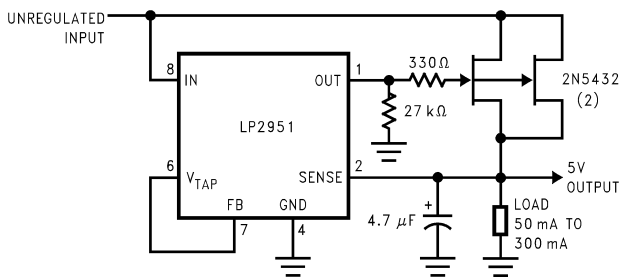
## Typical Applications

### 1A Regulator with 1.2V Dropout



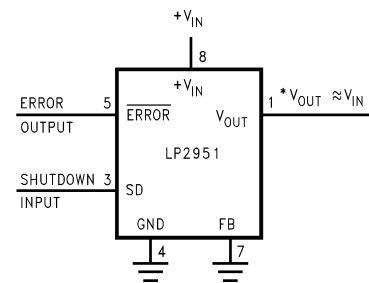
00854622

### 300mA Regulator with 0.75V Dropout



00854621

### Wide Input Voltage Range Current Limiter



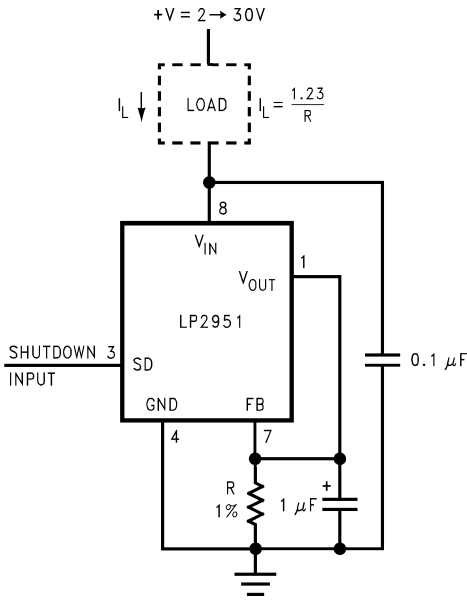
00854609

\*Minimum input-output voltage ranges from 40mV to 400mV, depending on load current. Current limit is typically 160mA.



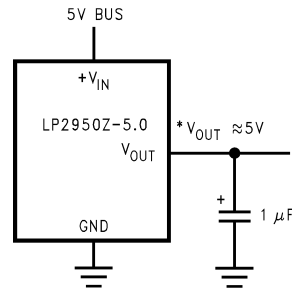
# Typical Applications (Continued)

## Low Drift Current Source



00854608

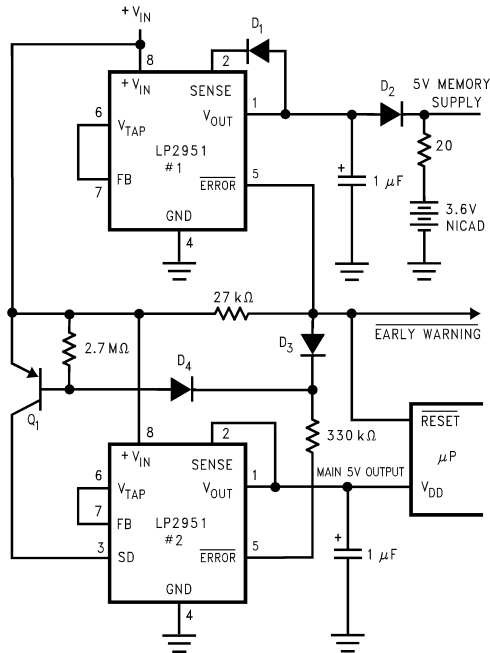
## 5 Volt Current Limiter



00854610

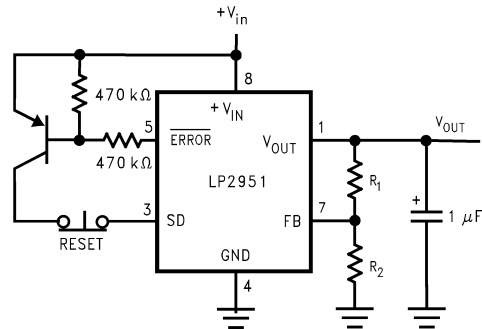
\*Minimum input-output voltage ranges from 40mV to 400mV, depending on load current. Current limit is typically 160mA.

## Regulator with Early Warning and Auxiliary Output



00854611

## Latch Off When Error Flag Occurs

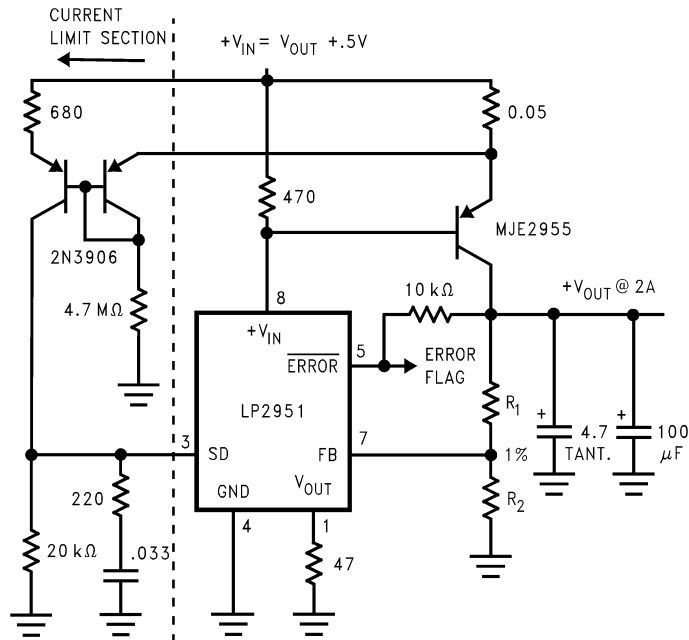


00854612

- Early warning flag on low input voltage
- Main output latches off at lower input voltages
- Battery backup on auxiliary output
- Operation: Reg. #1's  $V_{out}$  is programmed one diode drop above 5V. Its error flag becomes active when  $V_{in} \leq 5.7V$ . When  $V_{in}$  drops below 5.3V, the error flag of Reg. #2 becomes active and via Q1 latches the main output off. When  $V_{in}$  again exceeds 5.7V Reg. #1 is back in regulation and the early warning signal rises, unlatching Reg. #2 via D3.

# Typical Applications (Continued)

## 2 Ampere Low Dropout Regulator

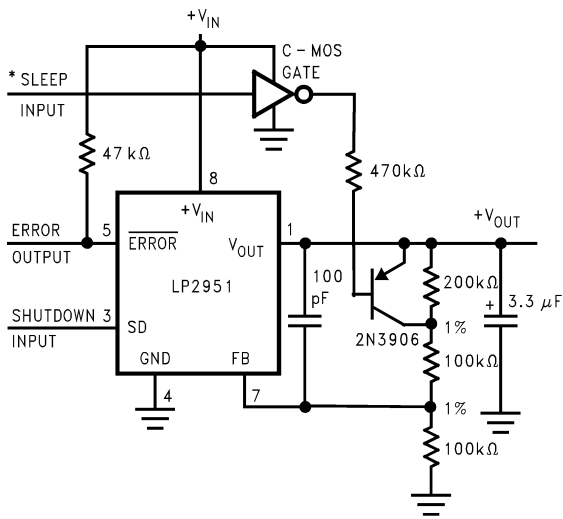


00854613

$$V_{out} = 1.23V \left( 1 + \frac{R_1}{R_2} \right)$$

For 5V<sub>out</sub>, use internal resistors. Wire pin 6 to 7, & wire pin 2 to +V<sub>out</sub> Bus.

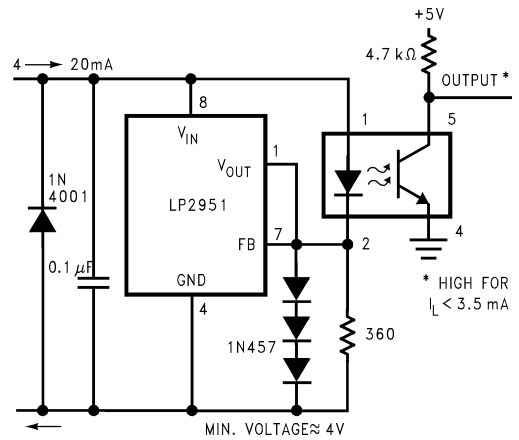
## 5V Regulator with 2.5V Sleep Function



00854614

\*High input lowers V<sub>out</sub> to 2.5V

## Open Circuit Detector for 4 → 20mA Current Loop

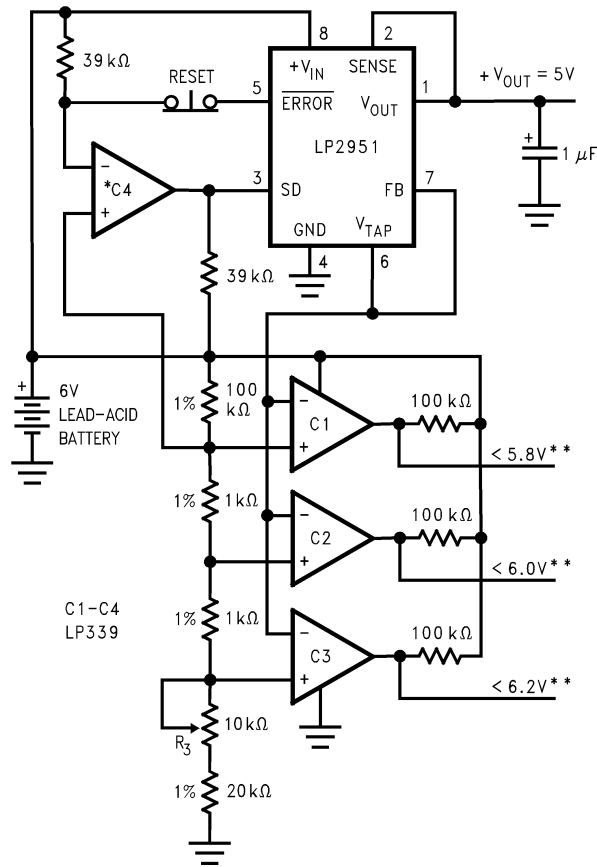


00854615

\* HIGH FOR I<sub>L</sub> < 3.5 mA

Typical Applications (Continued)

Regulator with State-of-Charge Indicator

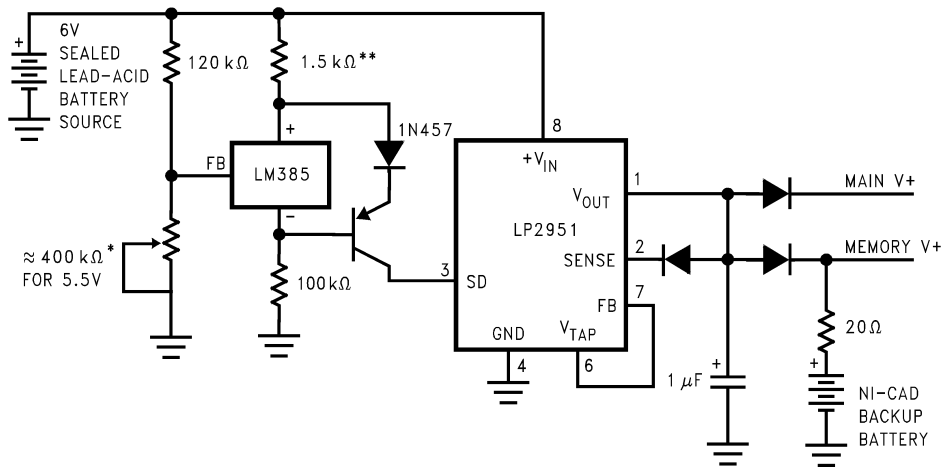


00854616

\*Optional Latch off when drop out occurs. Adjust R3 for C2 Switching when  $V_{in}$  is 6.0V.

\*\*Outputs go low when  $V_{in}$  drops below designated thresholds.

Low Battery Disconnect



00854617

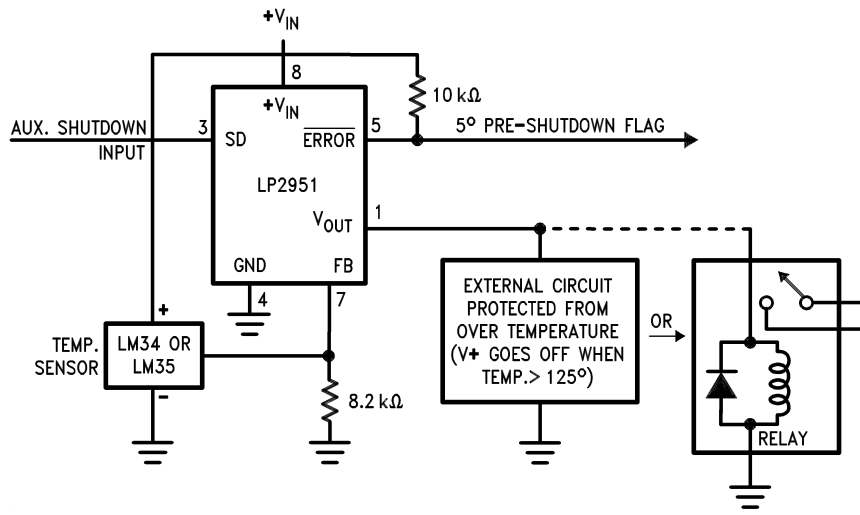
For values shown, Regulator shuts down when  $V_{in} < 5.5V$  and turns on again at 6.0V. Current drain in disconnected mode is  $\approx 150\mu A$ .

\*Sets disconnect Voltage

\*\*Sets disconnect Hysteresis

# Typical Applications (Continued)

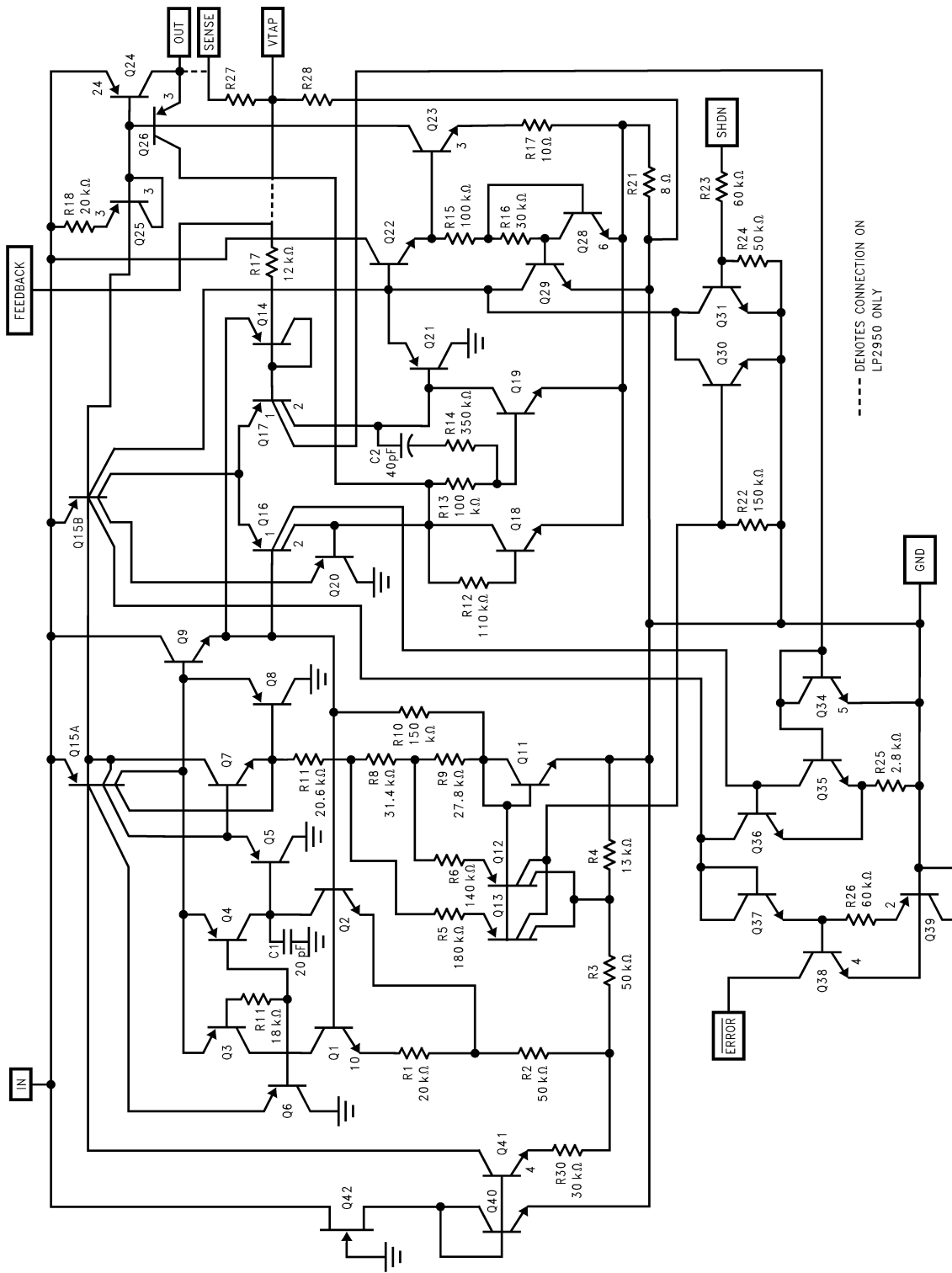
## System Overtemperature Protection Circuit



LM34 for 125°F Shutdown  
 LM35 for 125°C Shutdown

00854618

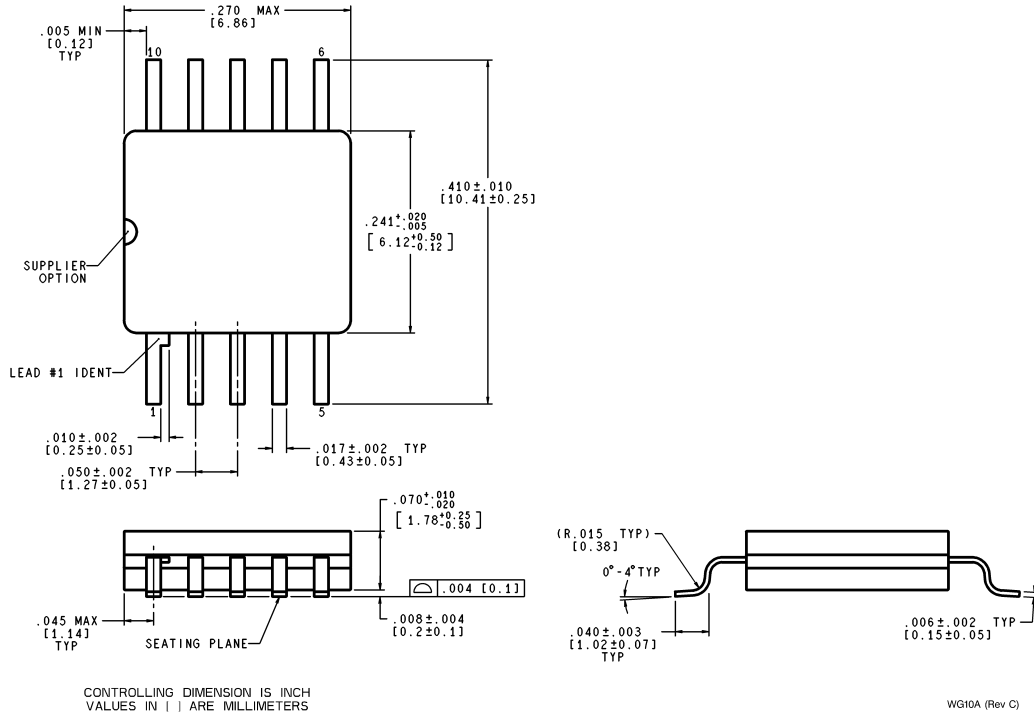
# Schematic Diagram



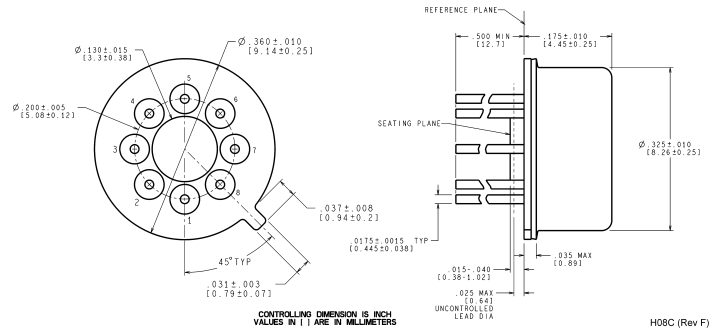
----- DENOTES CONNECTION ON LP2950 ONLY

00854623

**Physical Dimensions** inches (millimeters) unless otherwise noted

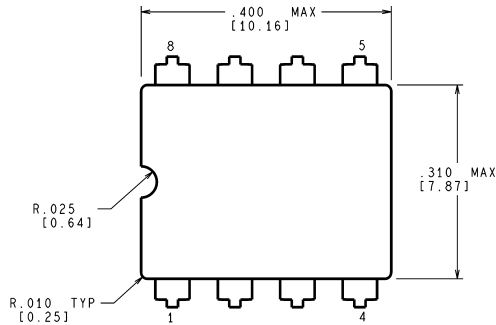


**Order Number LP2951WG/883**  
**NS Package Number WG10A**

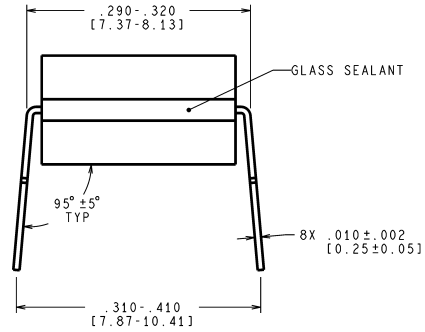
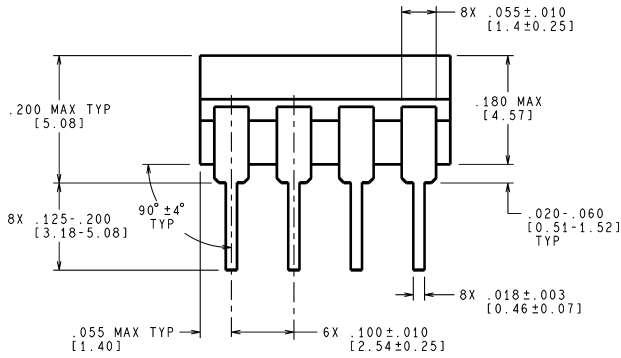


**Metal Can Package (H)**  
**NS Package Number H08C**

**Physical Dimensions** inches (millimeters) unless otherwise noted (Continued)

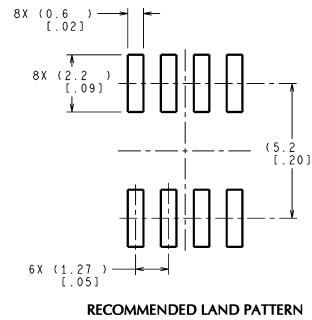
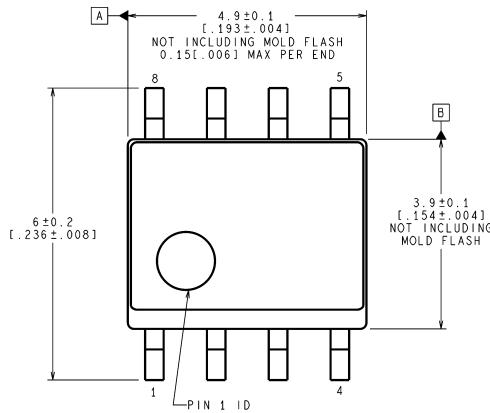


**CONTROLLING DIMENSION IS INCH  
VALUES IN [ ] ARE MILLIMETERS**

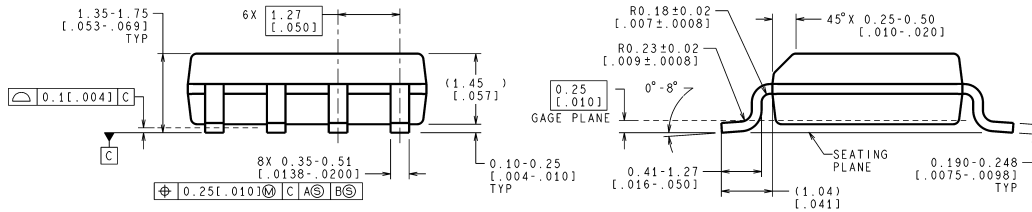


J08A (Rev M)

**Ceramic Dual-In-Line Package (J)  
NS Package Number J08A**



**RECOMMENDED LAND PATTERN**

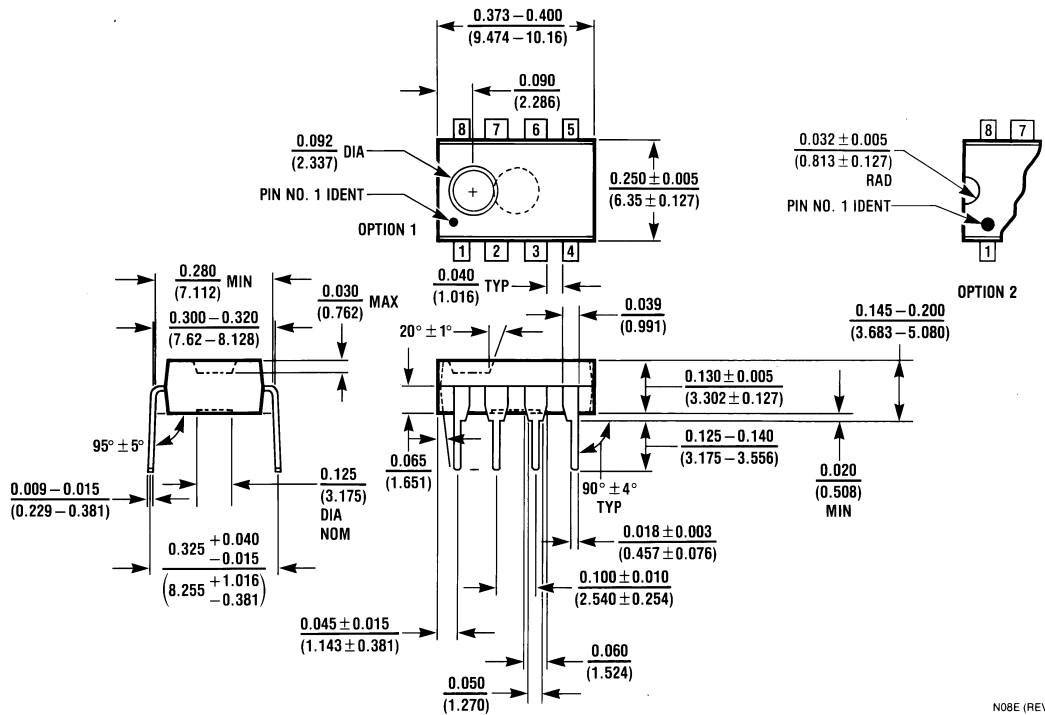


**CONTROLLING DIMENSION IS MILLIMETER  
VALUES IN [ ] ARE INCHES  
DIMENSIONS IN ( ) FOR REFERENCE ONLY**

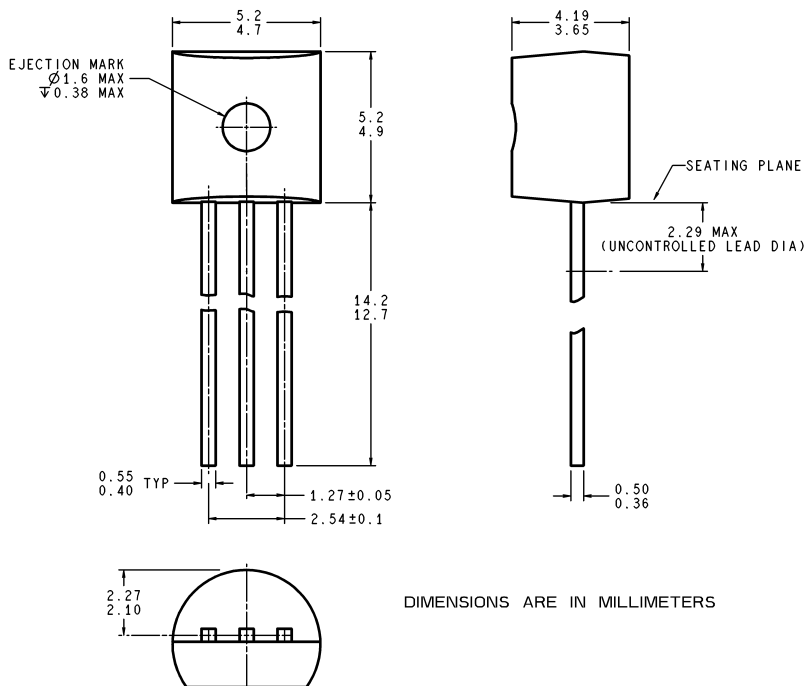
M08A (Rev K)

**Surface Mount Package (M)  
NS Package Number M08A**

**Physical Dimensions** inches (millimeters) unless otherwise noted (Continued)



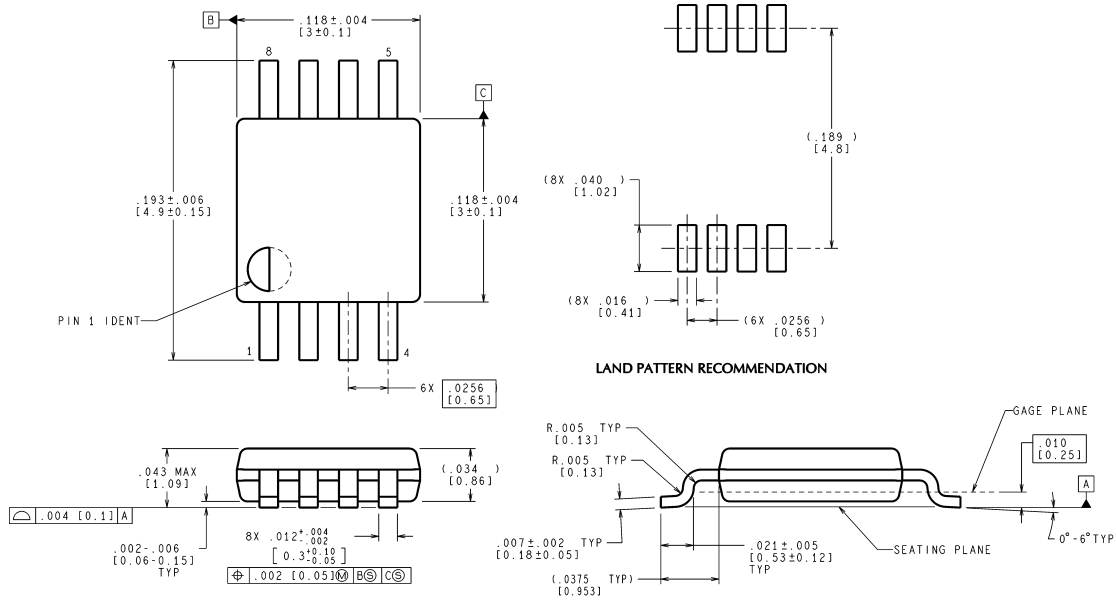
**Molded Dual-In-Line Package (N)  
NS Package Number N08E**



**Molded TO-92 Package (Z)  
NS Package Number Z03A**



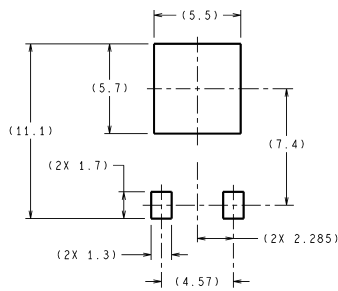
**Physical Dimensions** inches (millimeters) unless otherwise noted (Continued)



CONTROLLING DIMENSION IS INCH  
VALUES IN [ ] ARE MILLIMETERS

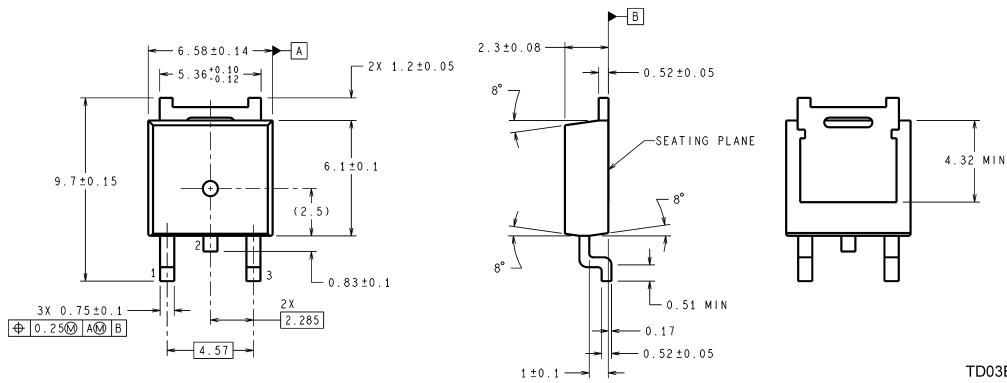
MUA08A (Rev E)

**Surface Mount Package (MM)  
NS Package Number MUA08A**



DIMENSIONS ARE IN MILLIMETERS

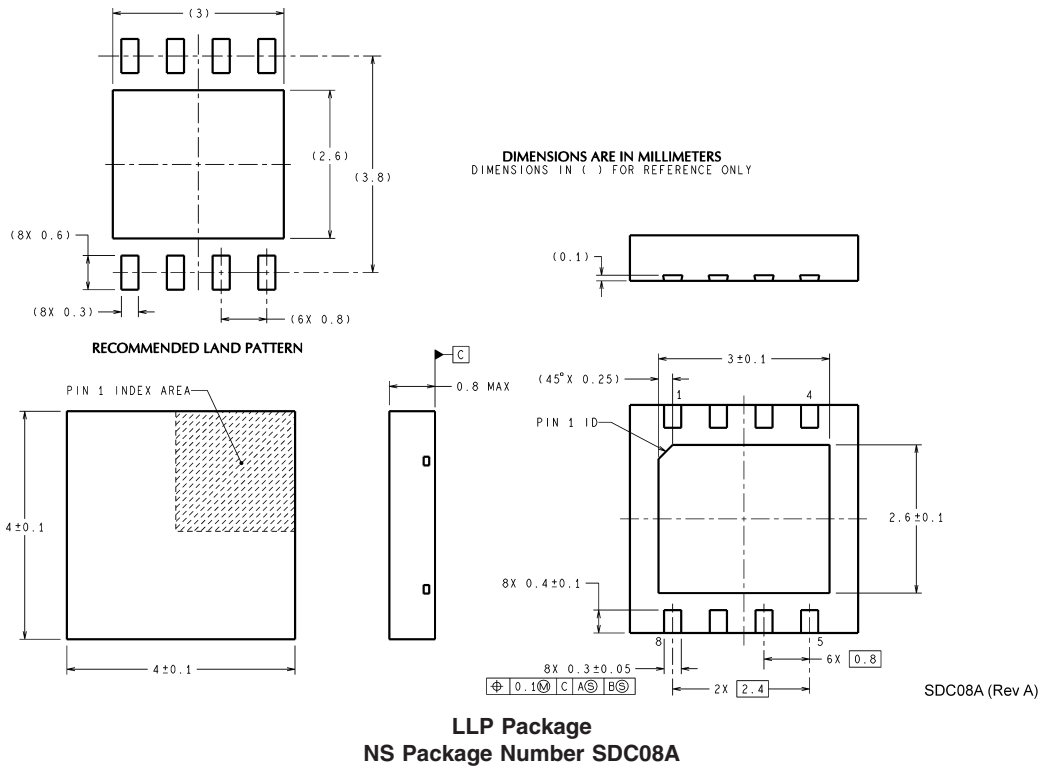
**LAND PATTERN RECOMMENDATION**



TD03B (Rev C)

**D-Pak Package  
NS Package Number TD03B**

**Physical Dimensions** inches (millimeters) unless otherwise noted (Continued)



National does not assume any responsibility for use of any circuitry described, no circuit patent licenses are implied and National reserves the right at any time without notice to change said circuitry and specifications.

For the most current product information visit us at [www.national.com](http://www.national.com).

**LIFE SUPPORT POLICY**


NATIONAL'S PRODUCTS ARE NOT AUTHORIZED FOR USE AS CRITICAL COMPONENTS IN LIFE SUPPORT DEVICES OR SYSTEMS WITHOUT THE EXPRESS WRITTEN APPROVAL OF THE PRESIDENT AND GENERAL COUNSEL OF NATIONAL SEMICONDUCTOR CORPORATION. As used herein:

1. Life support devices or systems are devices or systems which, (a) are intended for surgical implant into the body, or (b) support or sustain life, and whose failure to perform when properly used in accordance with instructions for use provided in the labeling, can be reasonably expected to result in a significant injury to the user.
2. A critical component is any component of a life support device or system whose failure to perform can be reasonably expected to cause the failure of the life support device or system, or to affect its safety or effectiveness.

**BANNED SUBSTANCE COMPLIANCE**

National Semiconductor manufactures products and uses packing materials that meet the provisions of the Customer Products Stewardship Specification (CSP-9-111C2) and the Banned Substances and Materials of Interest Specification (CSP-9-111S2) and contain no "Banned Substances" as defined in CSP-9-111S2.

Leadfree products are RoHS compliant.

 **National Semiconductor**  
**Americas Customer Support Center**  
Email: [new.feedback@nsc.com](mailto:new.feedback@nsc.com)  
Tel: 1-800-272-9959

**National Semiconductor**  
**Europe Customer Support Center**  
Fax: +49 (0) 180-530 85 86  
Email: [europe.support@nsc.com](mailto:europe.support@nsc.com)  
Deutsch Tel: +49 (0) 69 9508 6208  
English Tel: +44 (0) 870 24 0 2171  
Français Tel: +33 (0) 1 41 91 8790

**National Semiconductor**  
**Asia Pacific Customer Support Center**  
Email: [ap.support@nsc.com](mailto:ap.support@nsc.com)

**National Semiconductor**  
**Japan Customer Support Center**  
Fax: 81-3-5639-7507  
Email: [jpn.feedback@nsc.com](mailto:jpn.feedback@nsc.com)  
Tel: 81-3-5639-7560

[www.national.com](http://www.national.com)