

PAGE MODE FLASH MEMORY

CMOS

16M (2M × 8/1M × 16) BIT

MBM29PL160TD-75/-90/MBM29PL160BD-75/-90

■ FEATURES

- **Single 3.0 V read, program and erase**
Minimizes system level power requirements
- **Compatible with JEDEC-standard commands**
Uses same software commands as E²PROMs
- **Compatible with MASK ROM pinouts**
48-pin TSOP (I) (Package suffix: PFTN-Normal Bend Type, PFTR-Reversed Bend Type)
44-pin SOP (Package suffix: PF)
- **Minimum 100,000 program/erase cycles**
- **High performance**
25 ns maximum page access time (75ns maximum random access time)
- **An 8 words page read mode function**
- **Sector erase architecture**
One 8K word, two 4K words, one 112K word, and seven 128K words sectors in word mode
One 16K byte, two 8K bytes, one 224K byte, and seven 256K bytes sectors in byte mode
Any combination of sectors can be concurrently erased. Also supports full chip erase
- **Boot Code Sector Architecture**
T = Top sector
B = Bottom sector
- **Embedded Erase™ Algorithms**
Automatically pre-programs and erases the chip or any sector
- **Embedded program™ Algorithms**
Automatically programs and verifies data at specified address
- **Data Polling and Toggle Bit feature for detection of program or erase cycle completion**
- **Ready/Busy output (RY/BY)**
Hardware method for detection of program or erase cycle completion
- **Automatic sleep mode**
When addresses remain stable, automatically switches themselves to low power mode
- **Low V_{cc} write inhibit ≤ 2.5 V**

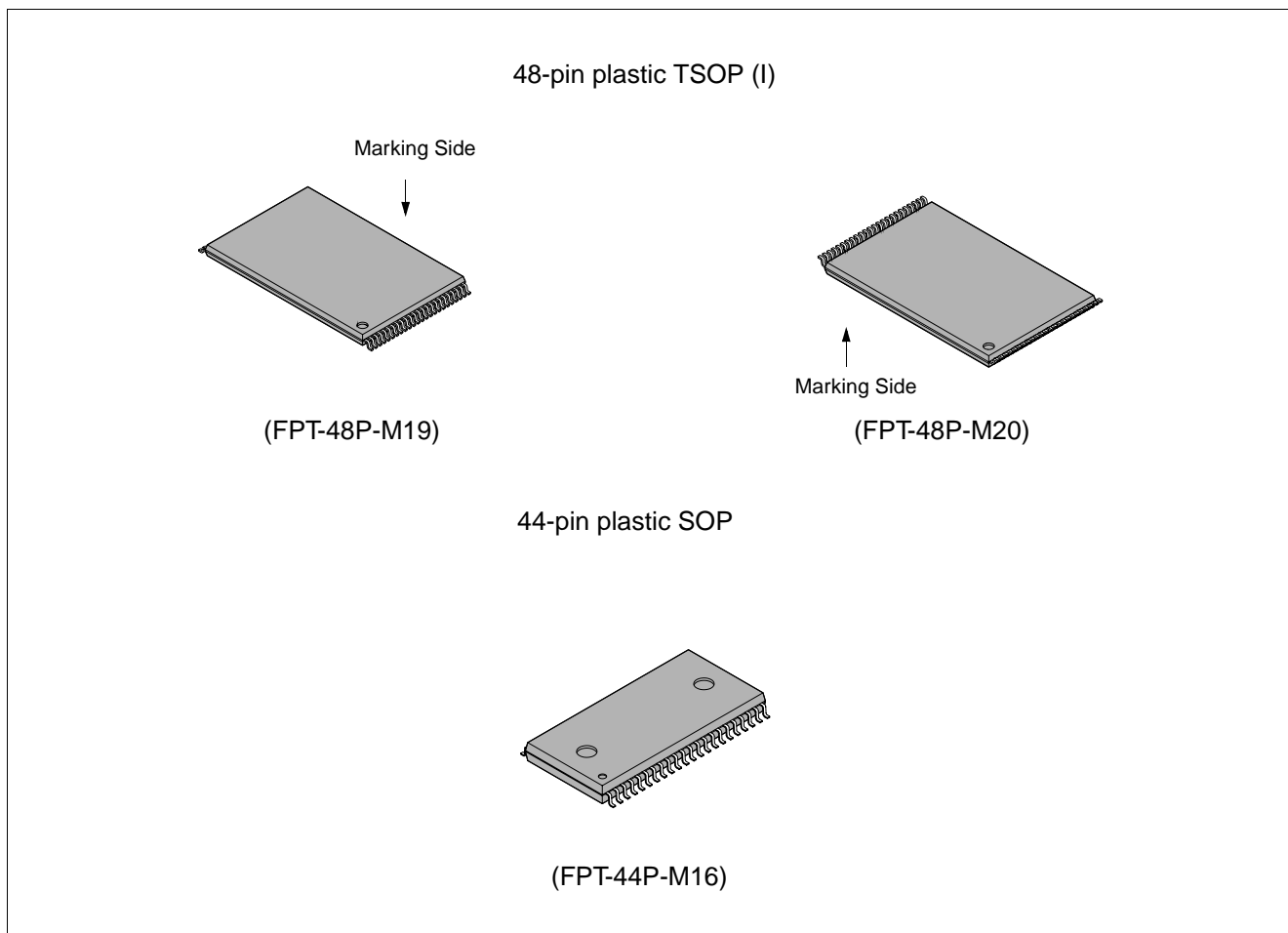
(Continued)

MBM29PL160TD-75/-90/MBM29PL160BD-75/-90

(Continued)

- **Erase Suspend/Resume**
Suspends the erase operation to allow a read data and/or program in another sector within the same device
- **Sector protection**
Hardware method disables any combination of sectors from program or erase operations
- **Temporary sector unprotection**
Temporary sector unprotection with the software command
- **5V tolerant (Data, Address, and Control Signals)**
- **In accordance with CFI (Common Flash Memory Interface)**

■ PACKAGE



MBM29PL160TD-75/-90/MBM29PL160BD-75/-90

■ GENERAL DESCRIPTION

The MBM29PL160TD/BD is a 16M-bit, 3.0 V-only Flash memory organized as 2M bytes of 8 bits each or 1M words of 16 bits each. The MBM29PL160TD/BD is offered in a 48-pin TSOP (I), and 44-pin SOP packages. The device is designed to be programmed in-system with the standard system 3.0 V V_{CC} supply. 12.0 V V_{PP} and 5.0 V V_{CC} are not required for write or erase operations. The device can also be reprogrammed in standard EPROM programmers.

The standard MBM29PL160TD/BD offers access times of 75 ns and 90 ns, allowing operation of high-speed microprocessors without wait states. To eliminate bus contention the device has separate chip enable (\overline{CE}), write enable (\overline{WE}), and output enable (\overline{OE}) controls.

The MBM29PL160TD/BD is pin and command set compatible with JEDEC standard E²PROMs. Commands are written to the command register using standard microprocessor write timings. Register contents serve as input to an internal state-machine which controls the erase and programming circuitry. Write cycles also internally latch addresses and data needed for the programming and erase operations. Reading data out of the device is similar to reading from 5.0 V and 12.0 V Flash or EPROM devices.

The MBM29PL160TD/BD is programmed by executing the program command sequence. This will invoke the Embedded Program Algorithm which is an internal algorithm that automatically times the program pulse widths and verifies proper cell margins. Typically, each sector can be programmed and verified in about 2.0 seconds. Erase is accomplished by executing the erase command sequence. This will invoke the Embedded Erase Algorithm which is an internal algorithm that automatically preprograms the array if it is not already programmed before executing the erase operation. During erase, the device automatically times the erase pulse widths and verifies proper cell margins.

Any individual sector is typically erased and verified in 4.8 second. (If already preprogrammed.)

The device also features a sector erase architecture. The sector mode allows each sector to be erased and reprogrammed without affecting other sectors. The MBM29PL160TD/BD is erased when shipped from the factory.

The device features single 3.0 V power supply operation for both read and write functions. Internally generated and regulated voltages are provided for the program and erase operations. A low V_{CC} detector automatically inhibits write operations on the loss of power. The end of program or erase is detected by \overline{Data} Polling of DQ_7 or by the Toggle Bit feature on DQ_6 output pin. Once the end of a program or erase cycle has been completed, the device internally resets to the read mode.

Fujitsu's Flash technology combines years of Flash memory manufacturing experience to produce the highest levels of quality, reliability, and cost effectiveness. The MBM29PL160TD/BD memory electrically erases all bits within a sector simultaneously via Fowler-Nordheim tunneling. The bytes/words are programmed one byte/word at a time using the EPROM programming mechanism of hot electron injection.

MBM29PL160TD-75/-90/MBM29PL160BD-75/-90

■ FLEXIBLE SECTOR-ERASE ARCHITECTURE

- One 8K word, two 4K words, one 112K word, and seven 128K words sectors in word mode.
- One 16K byte, two 8K bytes, one 224K byte, and seven 256K bytes sectors in byte mode.
- Individual-sector, multiple-sector, or bulk-erase capability.
- Individual or multiple-sector protection is user definable.

Sector	Sector Size	(× 8) Address Range	(× 16) Address Range
SA0	256 Kbytes or 128 Kwords	000000H to 03FFFFH	00000H to 1FFFFH
SA1	256 Kbytes or 128 Kwords	040000H to 07FFFFH	20000H to 3FFFFH
SA2	256 Kbytes or 128 Kwords	080000H to 0BFFFFH	40000H to 5FFFFH
SA3	256 Kbytes or 128 Kwords	0C0000H to 0FFFFFFH	60000H to 7FFFFH
SA4	256 Kbytes or 128 Kwords	100000H to 13FFFFH	80000H to 9FFFFH
SA5	256 Kbytes or 128 Kwords	140000H to 16FFFFH	A0000H to BFFFFH
SA6	256 Kbytes or 128 Kwords	180000H to 1BFFFFH	C0000H to DFFFFH
SA7	224 Kbytes or 112 Kwords	1C0000H to 1F7FFFFH	E0000H to FBFFFFH
SA8	8 Kbytes or 4 Kwords	1F8000H to 1F9FFFFH	FC000H to FCFFFFH
SA9	8 Kbytes or 4 Kwords	1FA000H to 1FBFFFFH	FD000H to FDFFFFH
SA10	16 Kbytes or 8 Kwords	1FC000H to 1FFFFFFH	FE000H to FFFFFH

MBM29PL160TD Top Boot Sector Architecture

Sector	Sector Size	(× 8) Address Range	(× 16) Address Range
SA0	16 Kbytes or 8 Kwords	000000H to 003FFFFH	00000H to 01FFFFH
SA1	8 Kbytes or 4 Kwords	004000H to 005FFFFH	02000H to 02FFFFH
SA2	8 Kbytes or 4 Kwords	006000H to 007FFFFH	03000H to 03FFFFH
SA3	224 Kbytes or 112 Kwords	008000H to 03FFFFFFH	04000H to 1FFFFH
SA4	256 Kbytes or 128 Kwords	040000H to 07FFFFH	20000H to 3FFFFH
SA5	256 Kbytes or 128 Kwords	080000H to 0BFFFFH	40000H to 5FFFFH
SA6	256 Kbytes or 128 Kwords	0C0000H to 0FFFFFFH	60000H to 7FFFFH
SA7	256 Kbytes or 128 Kwords	100000H to 13FFFFFFH	80000H to 9FFFFH
SA8	256 Kbytes or 128 Kwords	140000H to 17FFFFFFH	A0000H to BFFFFH
SA9	256 Kbytes or 128 Kwords	180000H to 1BFFFFH	C0000H to DFFFFH
SA10	256 Kbytes or 128 Kwords	1C0000H to 1FFFFFFH	E0000H to FFFFFH

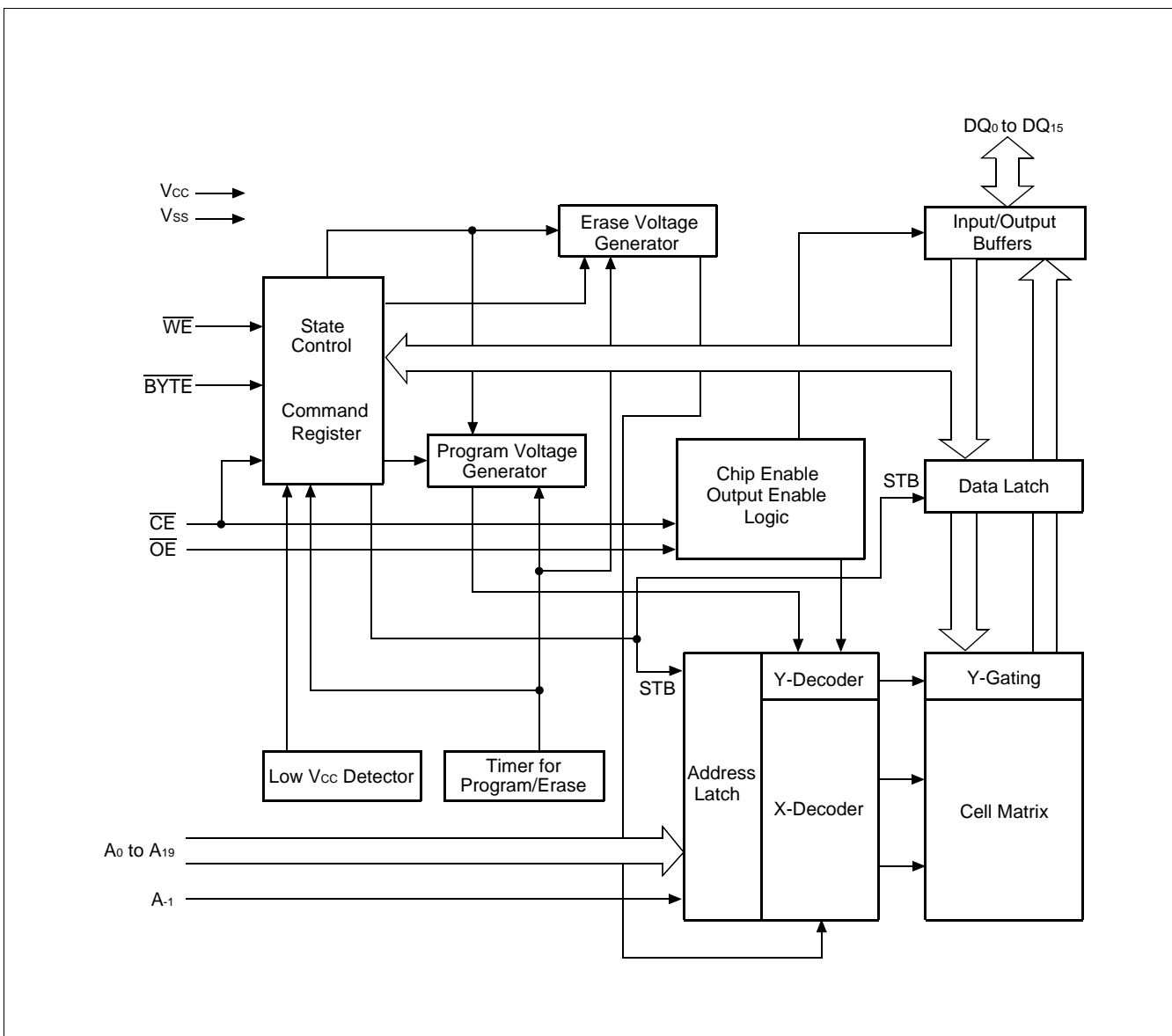
MBM29PL160BD Bottom Boot Sector Architecture

MBM29PL160TD-75/-90/MBM29PL160BD-75/-90

■ PRODUCT LINE UP

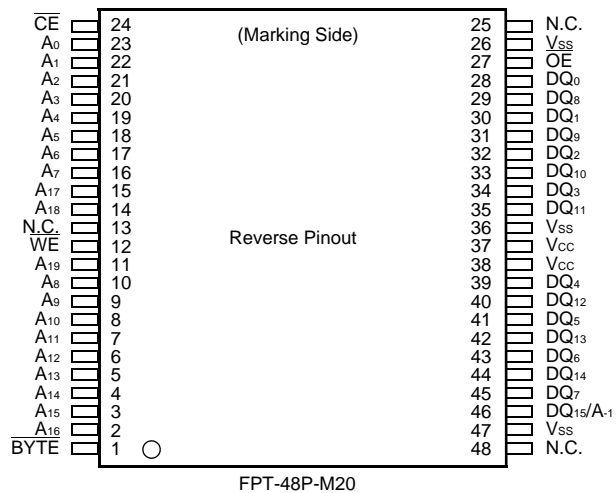
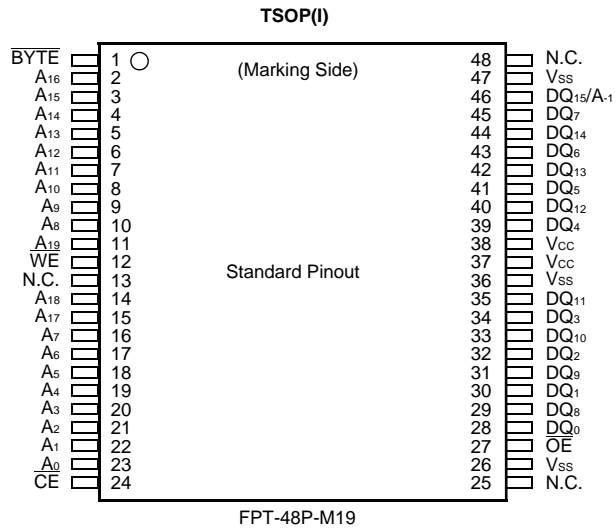
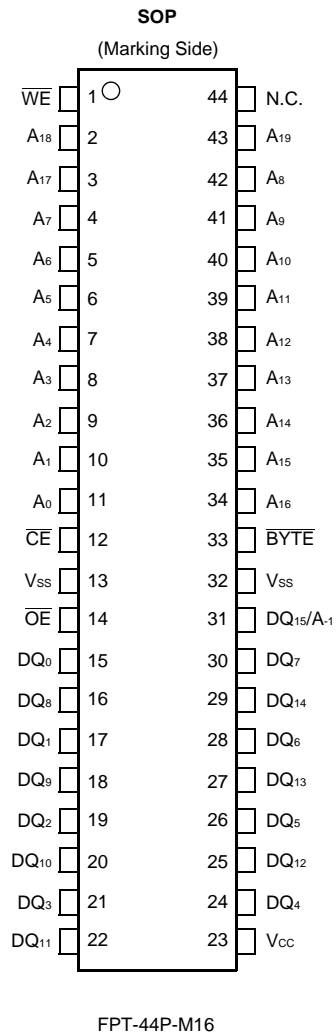
Part No.		MBM29PL160TD/160BD	
Ordering Part No.	$V_{CC} = 3.0\text{ V}$ ^{+0.6 V} _{-0.3 V}	-75	-90
Max. Address Access Time (ns)		75	90
Max. Page Address Access Time (ns)		25	35
Max. \overline{CE} Access Time (ns)		75	90
Max. \overline{OE} Access Time (ns)		25	35

■ BLOCK DIAGRAM



MBM29PL160TD-75/-90/MBM29PL160BD-75/-90

CONNECTION DIAGRAMS



MBM29PL160TD-75/-90/MBM29PL160BD-75/-90

■ LOGIC SYMBOL

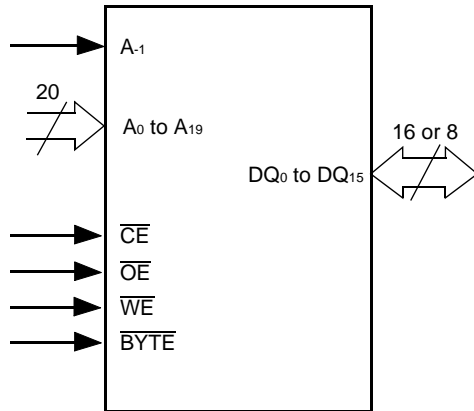


Table 1 MBM29PL160TD/BD Pin Configuration

Pin	Function
A-1, A0 to A19	Address Inputs
DQ0 to DQ15	Data Inputs/Outputs
$\overline{\text{CE}}$	Chip Enable
$\overline{\text{OE}}$	Output Enable
$\overline{\text{WE}}$	Write Enable
$\overline{\text{BYTE}}$	Selects 8-bit or 16-bit mode
N.C.	Pin Not Connected Internally
Vss	Device Ground
Vcc	Device Power Supply

MBM29PL160TD-75/-90/MBM29PL160BD-75/-90

■ DEVICE BUS OPERATIONS

Table 2 MBM29PL160TD/BD User Bus Operation ($\overline{\text{BYTE}} = V_{IH}$)

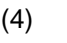
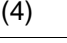

Operation	$\overline{\text{CE}}$	$\overline{\text{OE}}$	$\overline{\text{WE}}$	A ₀	A ₁	A ₆	A ₉	DQ ₀ to DQ ₁₅
Auto-Select Manufacture Code (1)	L	L	H	L	L	L	V _{ID}	Code
Auto-Select Device Code (1)	L	L	H	H	L	L	V _{ID}	Code
Read (3)	L	L	H	A ₀	A ₁	A ₆	A ₉	D _{OUT}
Standby	H	X	X	X	X	X	X	HIGH-Z
Output Disable	L	H	H	X	X	X	X	HIGH-Z
Write (Program/Erase)	L	H	L	A ₀	A ₁	A ₆	A ₉	D _{IN}
Enable Sector Protection (2), (4)	L	V _{ID}		L	H	L	V _{ID}	X
Verify Sector Protection (2), (4)	L	L	H	L	H	L	V _{ID}	Code

Table 3 MBM29PL160TD/BD User Bus Operation ($\overline{\text{BYTE}} = V_{IL}$)

Operation	$\overline{\text{CE}}$	$\overline{\text{OE}}$	$\overline{\text{WE}}$	DQ ₁₅ / A ₋₁	A ₀	A ₁	A ₆	A ₉	DQ ₀ to DQ ₇
Auto-Select Manufacture Code (1)	L	L	H	L	L	L	L	V _{ID}	Code
Auto-Select Device Code (1)	L	L	H	L	H	L	L	V _{ID}	Code
Read (3)	L	L	H	A ₋₁	A ₀	A ₁	A ₆	A ₉	D _{OUT}
Standby	H	X	X	X	X	X	X	X	HIGH-Z
Output Disable	L	H	H	X	X	X	X	X	HIGH-Z
Write (Program/Erase)	L	H	L	A ₋₁	A ₀	A ₁	A ₆	A ₉	D _{IN}
Enable Sector Protection (2), (4)	L	V _{ID}		L	L	H	L	V _{ID}	X
Verify Sector Protection (2), (4)	L	L	H	L	L	H	L	V _{ID}	Code

Legend: L = V_{IL}, H = V_{IH}, X = V_{IL} or V_{IH}.  = pulse input. See DC Characteristics for voltage levels.

- Notes:**
1. Manufacturer and device codes may also be accessed via a command register write sequence. See Table 7.
 2. Refer to the section on Sector Protection.
 3. $\overline{\text{WE}}$ can be V_{IL} if $\overline{\text{OE}}$ is V_{IL}, $\overline{\text{OE}}$ at V_{IH} initiates the write operations.
 4. V_{CC} = 3.3 V ±10%

■ FUNCTIONAL DESCRIPTION

Random Read Mode

The MBM29PL160TD/BD has two control functions which must be satisfied in order to obtain data at the outputs. \overline{CE} is the power control and should be used for a device selection. \overline{OE} is the output control and should be used to gate data to the output pins if a device is selected.

Address access time (t_{ACC}) is equal to the delay from stable addresses to valid output data. The chip enable access time (t_{CE}) is the delay from stable addresses and stable \overline{CE} to valid data at the output pins. The output enable access time is the delay from the falling edge of \overline{OE} to valid data at the output pins. (Assuming the addresses have been stable for at least $t_{ACC} - t_{OE}$ time.) See Figure 5.1 for timing specifications. When reading out a data without changing addresses after power-up, it is necessary to input hardware reset or to change \overline{CE} pin from "H" to "L".

Page Read Mode

The MBM29PL160TD/BD is capable of fast Page read mode and is compatible with the Page mode MASK ROM read operation. This mode provides faster read access speed for random locations within a page. The Page size of the MBM29PL160TD/BD device is 8 words, or 16 bytes, within the appropriate Page being selected by the higher address bits A_0 to A_2 (in the word mode) and A_{-1} to A_2 (in the byte mode) determining the specific word/byte within that page. This is an asynchronous operation with the microprocessor supplying the specific word or byte location.

The random or initial page access is equal to t_{ACC} and subsequent Page read access (as long as the locations specified by the microprocessor fall within that Page) is equivalent to t_{PACC} . Here again, \overline{CE} selects the device and \overline{OE} is the output control and should be used to gate data to the output pins if the device is selected. Fast Page mode accesses are obtained by keeping A_3 to A_{19} constant and changing A_0 to A_2 to select the specific word, or changing A_{-1} to A_2 to select the specific byte, within that page. See Figure 5.2 for timing specifications.

Standby Mode

The MBM29PL160TD/BD has a standby mode, a CMOS standby mode (\overline{CE} input held at $V_{CC} \pm 0.3$ V.), when the current consumed is less than 50 μ A. During Embedded Algorithm operation, V_{CC} Active current (I_{CC2}) is required even $\overline{CE} = "H"$. The device can be read with standard access time (t_{CE}) from standby modes.

In the standby mode, the outputs are in the high-impedance state, independent of the \overline{OE} input. If the device is deselected during erasure or programming, the device will draw active current until the operation is completed.

Automatic Sleep Mode

There is a function called automatic sleep mode to restrain power consumption during read-out of MBM29PL160TD/BD data. This mode can be used effectively with an application requesting low power consumption such as handy terminals.

To activate this mode, MBM29PL160TD/BD automatically switches itself to low power mode when addresses remain stable for 150 ns. It is not necessary to control \overline{CE} , \overline{WE} , and \overline{OE} in this mode. During such mode, the current consumed is typically 50 μ A (CMOS Level).

Standard address access timings provide new data when addresses are changed. While in sleep mode, output data is latched and always available to the system.

Output Disable

If the \overline{OE} input is at a logic high level (V_{IH}), output from the device is disabled. This will cause the output pins to be in a high-impedance state.

Autoselect

The Autoselect mode allows the reading out of a binary code from the device and will identify its manufacturer and type. The intent is to allow programming equipment to automatically match the device to be programmed with its corresponding programming algorithm. The Autoselect command may also be used to check the status of write-protected sectors. (See Tables 4.1 and 4.2.) This mode is functional over the entire temperature range of the device.

To activate this mode, the programming equipment must force V_{ID} (11.5 V to 12.5 V) on address pin A_9 . Two identifier bytes may then be sequenced from the devices outputs by toggling address A_0 from V_{IL} to V_{IH} . All addresses are DON'T CARES except A_0 , A_1 , and A_6 (A_{-1}). (See Table 2 or Table 3.) (Recomend to set V_{IL} for the other addresses pins.)

The manufacturer and device codes may also be read via the command register, for instances when the MBM29PL160TD/BD is erased or programmed in a system without access to high voltage on the A_9 pin. The command sequence is illustrated in Table 7, Command Definitions.

Word 0 ($A_0 = V_{IL}$) represents the manufacture's code and word 1 ($A_0 = V_{IH}$) represents the device identifier code. For the MBM29PL160TD/BD these two bytes are given in the Table 4.2. All identifiers for manufactures and device will exhibit odd parity with DQ_7 defined as the parity bit. In order to read the proper device codes when executing the Autoselect, A_1 must be V_{IL} . (See Tables 2 or 3.)

If $\overline{BYTE} = V_{IL}$ (for byte mode), the device code is 27H (for top boot block) or 45H (for bottom boot block). If $\overline{BYTE} = V_{IH}$ (for word mode), the device code is 2227H (for top boot block) or 2245H (for bottom boot block).

In order to determine which sectors are write protected, A_1 must be at V_{IH} while running through the sector addresses; if the selected sector is protected, a logical '1' will be output on DQ_0 ($DQ_0 = 1$).

MBM29PL160TD-75/-90/MBM29PL160BD-75/-90

Table 4.1 MBM29PL160TD/BD Sector Protection Verify Autoselect Code

Type		A ₁₂ to A ₁₉	A ₆	A ₁	A ₀	A ₋₁ *1	Code (HEX)
Manufacture's Code		X	V _{IL}	V _{IL}	V _{IL}	V _{IL}	04H
Device Code	MBM29PL160TD	Byte	X	V _{IL}	V _{IL}	V _{IH}	V _{IL}
		Word					X
	MBM29PL160BD	Byte	X	V _{IL}	V _{IL}	V _{IH}	V _{IL}
		Word					X
Sector Protection		Sector Addresses	V _{IL}	V _{IH}	V _{IL}	V _{IL}	01H*2
Temporary Sector Unprotection		X	V _{IL}	V _{IH}	V _{IH}	V _{IL}	01H*3

*1: A₋₁ is for Byte mode.

*2: Outputs 01H at protected sector addresses and outputs 00H at unprotected sector addresses.

*3: Outputs 01H at Temporary Sector Unprotect and outputs 00H at Non Temporary Sector Unprotect.

Table 4.2 Expanded Autoselect Code Table

Type		Code	DQ ₁₅	DQ ₁₄	DQ ₁₃	DQ ₁₂	DQ ₁₁	DQ ₁₀	DQ ₉	DQ ₈	DQ ₇	DQ ₆	DQ ₅	DQ ₄	DQ ₃	DQ ₂	DQ ₁	DQ ₀	
Manufacture's Code		04H	A ₋₁ /0	0	0	0	0	0	0	0	0	0	0	0	0	1	0	0	
Device Code	MBM29PL160TD	(B)	27H	A ₋₁	HI-Z	HI-Z	HI-Z	HI-Z	HI-Z	HI-Z	HI-Z	1	0	1	0	0	1	1	
		(W)	2227H	0	0	1	0	0	0	1	0	1	0	1	0	0	1	1	
	MBM29PL160BD	(B)	45H	A ₋₁	HI-Z	HI-Z	HI-Z	HI-Z	HI-Z	HI-Z	HI-Z	0	1	0	0	0	1	0	1
		(W)	2245H	0	0	1	0	0	0	1	0	0	1	0	0	0	1	0	1
Sector Protection		01H	A ₋₁ /0	0	0	0	0	0	0	0	0	0	0	0	0	0	0	1	
Temporary Sector Unprotection		01H	A ₋₁ /0	0	0	0	0	0	0	0	0	0	0	0	0	0	0	1	

(B): Byte mode

(W): Word mode

MBM29PL160TD-75/-90/MBM29PL160BD-75/-90

Table 5 Sector Address Tables (MBM29PL160TD)

Sector Address	A ₁₉	A ₁₈	A ₁₇	A ₁₆	A ₁₅	A ₁₄	A ₁₃	A ₁₂	(× 8) Address Range	(× 16) Address Range
SA0	0	0	0	X	X	X	X	X	000000H to 03FFFFH	00000H to 1FFFFH
SA1	0	0	1	X	X	X	X	X	040000H to 07FFFFH	20000H to 3FFFFH
SA2	0	1	0	X	X	X	X	X	080000H to 0BFFFFH	40000H to 5FFFFH
SA3	0	1	1	X	X	X	X	X	0C0000H to 0FFFFFH	60000H to 7FFFFH
SA4	1	0	0	X	X	X	X	X	100000H to 13FFFFH	80000H to 9FFFFH
SA5	1	0	1	X	X	X	X	X	140000H to 17FFFFH	A0000H to BFFFFH
SA6	1	1	0	X	X	X	X	X	180000H to 1BFFFFH	C0000H to DFFFFH
SA7	1	1	1	00000 - 11011					1C0000H to 1F7FFFFH	E0000H to FBFFFFH
SA8	1	1	1	1	1	1	0	0	1F8000H to 1F9FFFFH	FC000H to FCFFFFH
SA9	1	1	1	1	1	1	0	1	1FA000H to 1FBFFFFH	FD000H to FDFFFFH
SA10	1	1	1	1	1	1	1	X	1FC000H to 1FFFFFH	FE000H to FFFFFH

Table 6 Sector Address Tables (MBM29PL160BD)

Sector Address	A ₁₉	A ₁₈	A ₁₇	A ₁₆	A ₁₅	A ₁₄	A ₁₃	A ₁₂	(× 8) Address Range	(× 16) Address Range	
SA0	0	0	0	0	0	0	0	X	000000H to 003FFFFH	00000H to 01FFFFH	
SA1	0	0	0	0	0	0	0	1	004000H to 005FFFFH	02000H to 02FFFFH	
SA2	0	0	0	0	0	0	0	1	1	006000H to 007FFFFH	03000H to 03FFFFH
SA3	0	0	0	00100 - 11111					008000H to 03FFFFH	04000H to 1FFFFH	
SA4	0	0	1	X	X	X	X	X	040000H to 07FFFFH	20000H to 3FFFFH	
SA5	0	1	0	X	X	X	X	X	080000H to 0BFFFFH	40000H to 5FFFFH	
SA6	0	1	1	X	X	X	X	X	0C0000H to 0FFFFFH	60000H to 7FFFFH	
SA7	1	0	0	X	X	X	X	X	100000H to 13FFFFH	80000H to 9FFFFH	
SA8	1	0	1	X	X	X	X	X	140000H to 17FFFFH	A0000H to BFFFFH	
SA9	1	1	0	X	X	X	X	X	180000H to 1BFFFFH	C0000H to DFFFFH	
SA10	1	1	1	X	X	X	X	X	1C0000H to 1FFFFFH	E0000H to FFFFFH	

Write

Device erasure and programming are accomplished via the command register. The command register is written by bringing \overline{WE} to V_{IL} , while \overline{CE} is at V_{IL} and \overline{OE} is at V_{IH} . Addresses are latched on the falling edge of \overline{CE} or \overline{WE} , whichever occurs later, while data is latched on the rising edge of \overline{CE} or \overline{WE} pulse, whichever occurs first. Standard microprocessor write timings are used. See Figures 6 to 8.

Refer to AC Write Characteristics and the Erase/Programming Waveforms for specific timing parameters.

Sector Protection

The MBM29PL160TD/BD features hardware sector protection. This feature will disable both program and erase operations in any number of sectors (0 through 10). The sector protection feature is enabled using programming equipment at the user's site. The device is shipped with all sectors unprotected.

To activate this mode, the programming equipment must force V_{ID} on address pin A_9 and control pin \overline{OE} , $\overline{CE} = V_{IL}$, $A_0 = A_6 = V_{IL}$, $A_1 = V_{IH}$. The sector addresses pins (A_{19} , A_{18} , A_{17} , A_{16} , A_{15} , A_{14} , A_{13} , and A_{12}) should be set to the sector to be protected. Tables 5 and 6 define the sector address for each of the eleven (11) individual sectors. Programming of the protection circuitry begins on the falling edge of the \overline{WE} pulse and is terminated with the rising edge of the same. Sector addresses must be held constant during the \overline{WE} pulse. See figures 14 and 20 for sector protection waveforms and algorithm.

To verify programming of the protection circuitry, the programming equipment must force V_{ID} on address pin A_9 with \overline{CE} and \overline{OE} at V_{IL} and \overline{WE} at V_{IH} . Scanning the sector addresses (A_{19} , A_{18} , A_{17} , A_{16} , A_{15} , A_{14} , A_{13} , and A_{12}) while (A_6, A_1, A_0) = (0, 1, 0) will produce a logical "1" at device output DQ_0 for a protected sector. Otherwise the device will read 00H for an unprotected sector. In this mode, the lower order addresses, except for A_0 , A_1 , and A_6 are DON'T CARES. Address locations with $A_1 = V_{IL}$ are reserved for Autoselect manufacturer and device codes. A_{-1} requires to V_{IL} in byte mode.

It is also possible to determine if a sector is protected in the system by writing an Autoselect command. Performing a read operation at the address location XX02H, where the higher order addresses pins (A_{19} , A_{18} , A_{17} , A_{16} , A_{15} , A_{14} , A_{13} , and A_{12}) represents the sector address will produce a logical "1" at DQ_0 for a protected sector. See Tables 4.1 and 4.2 for Autoselect codes.

Temporary Sector Unprotection

This feature allows temporary unprotection of previously protected sectors of the MBM29PL160TD/BD devices in order to change data. The Temporary Sector Unprotection mode is activated by command register. During this mode, formerly protected sectors can be programmed or erased by selecting the sector addresses. Once the mode is taken away using command register, all the previously protected sectors will be protected again. (See Figures 20.)

MBM29PL160TD-75/-90/MBM29PL160BD-75/-90

Table 7 MBM29PL160TD/BD Standard Command Definitions

Command Sequence (Notes 1, 2, 3, 5)		Bus Write Cycles Req'd	First Bus Write Cycle		Second Bus Write Cycle		Third Bus Write Cycle		Fourth Bus Read/Write Cycle		Fifth Bus Write Cycle		Sixth Bus Write Cycle	
			Addr	Data	Addr	Data	Addr	Data	Addr	Data	Addr	Data	Addr	Data
Read/Reset (Note 6)	Word /Byte	1	XXXH	F0H	—	—	—	—	—	—	—	—	—	—
Read/Reset (Note 6)	Word	3	555H	AAH	2AAH	55H	555H	F0H	RA	RD	—	—	—	—
	Byte		AAAH		555H		AAAH							
Autoselect	Word	3	555H	AAH	2AAH	55H	555H	90H	—	—	—	—	—	—
	Byte		AAAH		555H		AAAH							
Byte/Word Program (Notes 3, 4)	Word	4	555H	AAH	2AAH	55H	555H	A0H	PA	PD	—	—	—	—
	Byte		AAAH		555H		AAAH							
Chip Erase	Word	6	555H	AAH	2AAH	55H	555H	80H	555H	AAH	2AAH	55H	555H	10H
	Byte		AAAH		555H		AAAH		555H		AAAH			
Sector Erase (Note 3)	Word	6	555H	AAH	2AAH	55H	555H	80H	555H	AAH	2AAH	55H	SA	30H
	Byte		AAAH		555H		AAAH		555H		AAAH			
Sector Erase Suspend	Word /Byte	1	XXXH	B0H	—	—	—	—	—	—	—	—	—	—
Sector Erase Resume	Word /Byte	1	XXXH	30H	—	—	—	—	—	—	—	—	—	—
Temporary Unprotect Enable	Word	4	555H	AAH	2AAH	55H	555H	E0H	XXXH	01H	—	—	—	—
	Byte		AAAH		555H		AAAH							
Temporary Unprotect Disable	Word	4	555H	AAH	2AAH	55H	555H	E0H	XXXH	00H	—	—	—	—
	Byte		AAAH		555H		AAAH							

- Notes:**
- Address bits A₁₁ to A₁₉ = X = "H" or "L" for all address commands except or Program Address (PA) and Sector Address (SA).
 - Bus operations are defined in Tables 2 and 3.
 - RA =Address of the memory location to be read.
PA =Address of the memory location to be programmed. Addresses are latched on the falling edge of the \overline{WE} pulse.
SA =Address of the sector to be erased. The combination of A₁₉, A₁₈, A₁₇, A₁₆, A₁₅, A₁₄, A₁₃, and A₁₂ will uniquely select any sector.
 - RD =Data read from location RA during read operation.
PD =Data to be programmed at location PA. Data is latched on the rising edge of \overline{WE} .
 - The system should generate the following address patterns:
Word Mode: 555H or 2AAH to addresses A₀ to A₁₀
Byte Mode: AAAH or 555H to addresses A₋₁ to A₁₀
 - Both Read/Reset commands are functionally equivalent, resetting the device to the read mode.

MBM29PL160TD-75/-90/MBM29PL160BD-75/-90

Table 8 MBM29PL160TD/BD Extended Command Definitions

Command Sequence		Bus Write Cycles Req'd	First Bus Write Cycle		Second Bus Write Cycle		Third Bus Write Cycle		Fourth Bus Read Cycle	
			Addr	Data	Addr	Data	Addr	Data	Addr	Data
Set to Fast Mode	Word	3	555H	AAH	2AAH	55H	555H	20H	—	—
	Byte		AAAH		555H		AAAH			
Fast Program *1	Word	2	XXXH	A0H	PA	PD	—	—	—	—
	Byte		XXXH							
Reset from Fast Mode *1	Word	2	XXXH	90H	XXXH	F0H *3	—	—	—	—
	Byte		XXXH							
Query Command *2	Word	2	55H	98H	—	—	—	—	—	—
	Byte		AAH							

SPA : Sector Address to be protected. Set sector address (SA) and (A₆, A₁, A₀) = (0, 1, 0).

SD : Sector protection verify data. Output 01H at protected sector addresses and output 00H at unprotected sector addresses.

- *1. This command is valid while fast mode.
- *2. Addresses from system set to A₀ to A₆. The other addresses are "Don't care".
- *3. The data" 00H" is also acceptable.

Command Definitions

Device operations are selected by writing specific address and data sequences into the command register. Writing incorrect address and data values or writing them in an improper sequence will reset the device to the read mode. Table 7 defines the valid register command sequences. Note that the Erase Suspend (B0H) and Erase Resume (30H) commands are valid only while the Sector Erase operation is in progress. Moreover both Read/Reset commands are functionally equivalent, resetting the device to the read mode. Please note that commands are always written at DQ₀ to DQ₇ and DQ₈ to DQ₁₅ bits are ignored.

Read/Reset Command

In order to return from Autoselect mode or Exceeded Timing Limits (DQ₅ = 1) to read mode, the read/reset operation is initiated by writing the Read/Reset command sequence into the command register. Microprocessor read cycles retrieve array data from the memory. The device remains enabled for reads until the command register contents are altered.

The device will automatically power-up in the Read/Reset state. In this case, a command sequence is not required to read data. Standard microprocessor read cycles will retrieve array data. This default value ensures that no spurious alteration of the memory contents occurs during the power transition. Refer to the AC Read Characteristics and Waveforms for specific timing parameters. (See Figure 5.1 and 5.2.)

Autoselect Command

Flash memories are intended for use in applications where the local CPU alters memory contents. As such, manufactures and device codes must be accessible while the device resides in the target system. PROM programmers typically access the signature codes by raising A₉ to a high voltage. However, multiplexing high voltage onto the address lines is not generally desired system design practice.

The device contains an Autoselect command operation to supplement traditional PROM programming methodology. The operation is initiated by writing the Autoselect command sequence into the command register. Following the last command write, a read cycle from address XX00H retrieves the manufacture code of 04H. A read cycle from address XX01H for ×16 (XX02H for ×8) retrieves the device code (MBM29PL160TD = 27H and

MBM29PL160TD-75/-90/MBM29PL160BD-75/-90

MBM29PL160BD = 45H for $\times 8$ mode; MBM29PL160TD = 2227H and MBM29PL160BD = 2245H for $\times 16$ mode). (See Tables 4.1 and 4.2.)

All manufactures and device codes will exhibit odd parity with DQ_7 defined as the parity bit. The sector state (protection or unprotection) will be indicated by address XX02H for $\times 16$ (XX04H for $\times 8$). Scanning the sector addresses (A_{19} , A_{18} , A_{17} , A_{16} , A_{15} , A_{14} , A_{13} , and A_{12}) while (A_6 , A_1 , A_0) = (0, 1, 0) will produce a logical "1" at device output DQ_0 for a protected sector. The programming verification should be perform margin mode verification on the protected sector. (See Tables 2 and 3.)

To terminate the operation, it is necessary to write the Read/Reset command sequence into the register and, also to write the Autoselect command during the operation, by executing it after writing the Read/Reset command sequence.

Word/Byte Programming

The device is programmed on a byte-by-byte (or word-by-word) basis. Programming is a four bus cycle operation. There are two "unlock" write cycles. These are followed by the program set-up command and data write cycles. Addresses are latched on the falling edge of \overline{CE} or \overline{WE} , whichever happens later and the data is latched on the rising edge of \overline{CE} or \overline{WE} , whichever happens first. The rising edge of the last \overline{CE} or \overline{WE} (whichever happens first) begins programming. Upon executing the Embedded Program Algorithm command sequence, the system is not required to provide further controls or timings. The device will automatically provide adequate internally generated program pulses and verify the programmed cell margin. (See Figures 6 and 7.)

The automatic programming operation is completed when the data on DQ_7 is equivalent to data written to this bit at which time the device return to the read mode and addresses are no longer latched. (See Table 9, Hardware Sequence Flags.) Therefore, the device requires that a valid address be supplied by the system at this time. Hence, Data Polling must be performed at the memory location which is being programmed.

Any commands written to the chip during this period will be ignored. If hardware reset occurs during the programming operation, it is impossible to guarantee whether the data being written is correct or not.

Programming is allowed in any sequence and across sector boundaries. Beware that a data "0" cannot be programmed back to a "1". Attempting to do so may either hang up the device or result in an apparent success according to the data polling algorithm but a read from read/reset mode will show that the data is still "0". Only erase operations can convert "0"s to "1"s.

Figure 16 illustrates the Embedded Program™ Algorithm using typical command strings and bus operations.

Chip Erase

Chip erase is a six-bus cycle operation. There are two "unlock" write cycles. These are followed by writing the "set-up" command. Two more "unlock" write cycles are then followed by the chip erase command.

Chip erase does not require the user to program the device prior to erase. Upon executing the Embedded Erase Algorithm command sequence the device will automatically program and verify the entire memory for an all zero data pattern prior to electrical erase. (Preprogram Function.) The system is not required to provide any controls or timings during these operations.

The automatic erase begins on the rising edge of the last \overline{WE} pulse in the command sequence and terminates when the data on DQ_7 is "1" (See Write Operation Status section.) at which time the device returns to read mode. (See Figure 8.)

Figure 17 illustrates the Embedded Erase™ Algorithm using typical command strings and bus operations.

Sector Erase

Sector erase is a six-bus cycle operation. There are two "unlock" write cycles, followed by writing the "set-up" command. Two more "unlock" write cycles are then followed by the Sector Erase command. The sector address (any address location within the desired sector) is latched on the falling edge of \overline{WE} , while the command (Data = 30H) is latched on the rising edge of \overline{WE} . After a time-out of 50 μ s from the rising edge of the last sector erase command, the sector erase operation will begin.

Multiple sectors may be erased concurrently by writing six-bus cycle operations on Table 7. This sequence is followed with writes of the Sector Erase command to addresses in other sectors desired to be concurrently erased. The time between writes must be less than 50 μ s otherwise that command will not be accepted and erasure will start. It is recommended that processor interrupts be disabled during this time to guarantee this condition. The interrupts can be re-enabled after the last Sector Erase command is written. A time-out of 50 μ s from the rising edge of the last \overline{WE} will initiate the execution of the Sector Erase command(s). If another falling edge of the \overline{WE} occurs within the 50 μ s time-out window the timer is reset. Monitor DQ₃ to determine if the sector erase timer window is still open. (See section DQ₃, Sector Erase Timer.) Any command other than Sector Erase or Erase Suspend during this time-out period will reset the device to the read mode, ignoring the previous command string. Resetting the device once execution has begun will corrupt the data in the sector. In that case, restart the erase on those sectors and allow them to complete. (Refer to the Write Operation Status section for Sector Erase Timer operation.) Loading the sector erase buffer may be done in any sequence and with any number of sectors (0 to 10).

Sector erase does not require the user to program the device prior to erase. The device automatically programs all memory locations in the sector(s) to be erased prior to electrical erase (Preprogram Function). When erasing a sector or sectors the remaining unselected sectors are not affected. The system is not required to provide any controls or timings during these operations. (See Figure 8.)

The automatic sector erase begins after the 50 μ s time out from the rising edge of the \overline{WE} pulse for the last sector erase command pulse and terminates when the data on DQ₇ is "1" (See Write Operation Status section) at which time the device returns to the read mode. Data polling must be performed at an address within any of the sectors being erased. Multiple Sector Erase Time; [Sector Program Time (Preprogramming) + Sector Erase Time] \times Number of Sector Erase.

Figure 17 illustrates the Embedded Erase™ Algorithm using typical command strings and bus operations.

Erase Suspend/Resume

The Erase Suspend command allows the user to interrupt a Sector Erase operation and then perform data reads from or program to a sector not being erased. This command is applicable ONLY during the Sector Erase operation which includes the time-out period for sector erase. The Erase Suspend command will be ignored if written during the Chip Erase operation or Embedded Program Algorithm. Writing the Erase Suspend command during the Sector Erase time-out results in immediate termination of the time-out period and suspension of the erase operation.

Writing the Erase Resume command resumes the erase operation. The addresses are "DON'T CARES" when writing the Erase Suspend or Erase Resume commands.

When the Erase Suspend command is written during the Sector Erase operation, the device will take a maximum of 20 μ s to suspend the erase operation. When the devices have entered the erase-suspended mode, the RY/BY output pin and the DQ₇ bit will be at logic "1", and DQ₆ will stop toggling. The user must use the address of the erasing sector for reading DQ₆ and DQ₇ to determine if the erase operation has been suspended. Further writes of the Erase Suspend command are ignored.

When the erase operation has been suspended, the device defaults to the erase-suspend-read mode. Reading data in this mode is the same as reading from the standard read mode except that the data must be read from sectors that have not been erase-suspended. Successively reading from the erase-suspended sector while the device is in the erase-suspend-read mode will cause DQ₂ to toggle. (See the section on DQ₂.)

After entering the erase-suspend-read mode, the user can program the device by writing the appropriate command sequence for Program. This Program mode is known as the erase-suspend-program mode. Again, programming in this mode is the same as programming in the regular Program mode except that the data must be programmed to sectors that are not erase-suspended. Successively reading from the erase-suspended sector while the devices are in the erase-suspend-program mode will cause DQ₂ to toggle. The end of the erase-suspended Program operation is detected by Data polling of DQ₇ and the Toggle Bit (DQ₆) which is the same as the regular Program operation. Note that DQ₇ must be read from the Program address while DQ₆ can be read from any address.

To resume the operation of Sector Erase, the Resume command (30H) should be written. Any further writes of the Resume command at this point will be ignored. Another Erase Suspend command can be written after the chip has resumed erasing.

Extended Command

(1) Fast Mode

MBM29PL160TD/BD has Fast Mode function. This mode dispenses with the initial two unlock cycles required in the standard program command sequence writing Fast Mode command into the command register. In this mode, the required bus cycle for programming is two cycles instead of four bus cycles in standard program command. (Do not write erase command in this mode.) The read operation is also executed after exiting this mode. To exit this mode, it is necessary to write Fast Mode Reset command into the command register. (Refer to the Figure 22 Extended algorithm.) The V_{CC} active current is required even $\overline{CE} = V_{IH}$ during Fast Mode.

(2) Fast Programming

During Fast Mode, the programming can be executed with two bus cycles operation. The Embedded Program Algorithm is executed by writing program set-up command (A0H) and data write cycles (PA/PD). (Refer to the Figure 22 Extended algorithm.)

(3) CFI (Common Flash Memory Interface)

The CFI (Common Flash Memory Interface) specification outlines device and host system software interrogation handshake which allows specific vendor-specified software algorithms to be used for entire families of devices. This allows device-independent, JEDEC ID-independent, and forward-and backward-compatible software support for the specified flash device families. Refer to CFI specification in detail.

The operation is initiated by writing the query command (98H) into the command register. Following the command write, a read cycle from specific address retrieves device information. Please note that output data of upper byte (DQ₈ to DQ₁₅) is "0" in word mode (16 bit) read. Refer to the CFI code table. To terminate operation, it is necessary to write the read/reset command sequence into the register.

Write Operation Status

Table 9 Hardware Sequence Flags

Status		DQ ₇	DQ ₆	DQ ₅	DQ ₃	DQ ₂	
In Progress	Embedded Program Algorithm	\overline{DQ}_7	Toggle	0	0	1	
	Embedded/Erase Algorithm	0	Toggle	0	1	Toggle	
	Erase Suspend Mode	Erase Suspend Read (Erase Suspended Sector)	1	1	0	0	Toggle
		Erase Suspend Read (Non-Erase Suspended Sector)	Data	Data	Data	Data	Data
		Erase Suspend Program (Non-Erase Suspended Sector)	\overline{DQ}_7	Toggle (Note 1)	0	0	1 (Note 2)
Exceeded Time Limits	Embedded Program Algorithm	\overline{DQ}_7	Toggle	1	0	1	
	Embedded/Erase Algorithm	0	Toggle	1	1	N/A	
	Erase Suspend Program (Non-Erase Suspended Sector)	\overline{DQ}_7	Toggle	1	0	N/A	

- Notes:**
1. Performing successive read operations from any address will cause DQ₆ to toggle.
 2. Reading the byte address being programmed while in the erase-suspend program mode will indicate logic "1" at the DQ₂ bit. However, successive reads from the erase-suspended sector will cause DQ₂ to toggle.
 3. DQ₀ and DQ₁ are reserve pins for future use.
 4. DQ₄ is Fujitsu internal use only.

DQ₇

Data Polling

The MBM29PL160TD/BD device features $\overline{\text{Data}}$ Polling as a method to indicate to the host that the Embedded Algorithms are in progress or completed. During the Embedded Program Algorithm, an attempt to read the devices will produce the complement of the data last written to DQ₇. Upon completion of the Embedded Program Algorithm, an attempt to read the device will produce the true data last written to DQ₇. During the Embedded Erase Algorithm, an attempt to read the device will produce a "0" at the DQ₇ output. Upon completion of the Embedded Erase Algorithm an attempt to read the device will produce a "1" at the DQ₇ output. The flowchart for $\overline{\text{Data}}$ Polling (DQ₇) is shown in Figure 18.

For chip erase and sector erase, $\overline{\text{Data}}$ Polling is valid after the rising edge of the sixth $\overline{\text{WE}}$ pulse in the six-write pulse sequence. $\overline{\text{Data}}$ Polling must be performed at a sector address within any of the sectors being erased and not at a protected sector. Otherwise, the status may not be valid. Once the Embedded Algorithm operation is close to being completed, the MBM29PL160TD/BD data pins (DQ₇) may change asynchronously while the output enable ($\overline{\text{OE}}$) is asserted low. This means that the device is driving status information on DQ₇ at one instant of time and then that byte's valid data at the next instant of time. Depending on when the system samples the DQ₇ output, it may read the status or valid data. Even if the device has completed the Embedded Program Algorithm operation and DQ₇ has a valid data, the data outputs on DQ₀ to DQ₆ may be still invalid. The valid data on DQ₀ to DQ₇ will be read on successive read attempts.

The $\overline{\text{Data}}$ Polling feature is only active during the Embedded Programming Algorithm, Embedded Erase Algorithm or sector erase time-out.

See Figure 9 for the $\overline{\text{Data}}$ Polling timing specifications and diagrams.

DQ₆

Toggle Bit I

The MBM29PL160TD/BD also feature the "Toggle Bit I" as a method to indicate to the host system that the Embedded Algorithms are in progress or completed.

During an Embedded Program or Erase Algorithm cycle, successive attempts to read (\overline{OE} toggling) data from the device will result in DQ₆ toggling between one and zero. Once the Embedded Program or Erase Algorithm cycle is completed, DQ₆ will stop toggling and valid data can be read on the next successive attempts. During programming, the Toggle Bit I is valid after the rising edge of the fourth \overline{WE} pulse in the four write pulse sequence. For chip erase and sector erase, the Toggle Bit I is valid after the rising edge of the sixth \overline{WE} pulse in the six-write pulse sequence. The Toggle Bit I is active during the sector time out.

In programming, if the sector being written to is protected, the toggle bit will toggle for about 1 μ s and then stop toggling without the data having changed. In erase, the device will erase all the selected sectors except for the ones that are protected. If all selected sectors are protected, the chip will toggle the Toggle Bit I for about 100 μ s and then drop back into read mode, having changed none of the data.

Either \overline{CE} or \overline{OE} toggling will cause the DQ₆ to toggle. In addition, an Erase Suspend/Resume command will cause the DQ₆ to toggle.

See Figure 10 and Figure 19 for the Toggle Bit I timing specifications and diagrams.

DQ₅

Exceeded Timing Limits

DQ₅ will indicate if the program or erase time has exceeded the specified limits (internal pulse count). Under these conditions DQ₅ will produce a "1". This is a failure condition which indicates that the program or erase cycle was not successfully completed. \overline{Data} Polling is the only operating function of the device under this condition. The \overline{CE} circuit will partially power down the device under these conditions. The \overline{OE} and \overline{WE} pins will control the output disable functions as described in Tables 2 and 3.

The DQ₅ failure condition may also appear if a user tries to program a non blank location without erasing. In this case the device locks out and never completes the Embedded Algorithm operation. Hence, the system never reads a valid data on DQ₇ and DQ₆ never stops toggling. Once the device has exceeded timing limits, the DQ₅ bit will indicate a "1." Please note that this is not a device failure condition since the device was incorrectly used. If this occurs, reset the device with command sequence.

DQ₃

Sector Erase Timer

After the completion of the initial sector erase command sequence the sector erase time-out will begin. DQ₃ will remain low until the time-out is complete. \overline{Data} Polling and Toggle Bit I are valid after the initial sector erase command sequence.

If \overline{Data} Polling or the Toggle Bit I indicates the device has been written with a valid erase command, DQ₃ may be used to determine if the sector erase timer window is still open. If DQ₃ is high ("1") the internally controlled erase cycle has begun; attempts to write subsequent commands to the device will be ignored until the erase operation is completed as indicated by \overline{Data} Polling or Toggle Bit I. If DQ₃ is low ("0"), the device will accept additional sector erase commands. To insure the command has been accepted, the system software should check the status of DQ₃ prior to and following each subsequent sector erase command. If DQ₃ is high on the second status check, the command may not have been accepted.

See Table 9: Hardware Sequence Flags.

DQ₂

Toggle Bit II

This Toggle Bit II, along with DQ₆, can be used to determine whether the device is in the Embedded Erase Algorithm or in Erase Suspend.

Successive reads from the erasing sector will cause DQ₂ to toggle during the Embedded Erase Algorithm. If the device is in the erase-suspended-read mode, successive reads from the erase-suspended sector will cause DQ₂ to toggle. When the device is in the erase-suspended-program mode, successive reads from the byte address of the non-erase suspended sector will indicate a logic "1" at DQ₂.

DQ₆ is different from DQ₂ in that DQ₆ toggles only when the standard program or Erase, or Erase Suspend Program operation is in progress.

For example, DQ₂ and DQ₆ can be used together to determine if the erase-suspend-read mode is in progress. (DQ₂ toggles while DQ₆ does not.) See also Table 10 and Figure 15.

Furthermore, DQ₂ can also be used to determine which sector is being erased. When the device is in the erase mode, DQ₂ toggles if this bit is read from an erasing sector.

Table 10 Toggle Bit Status

Mode	DQ ₇	DQ ₆	DQ ₂
Program	$\overline{DQ_7}$	Toggle	1
Erase	0	Toggle	Toggle
Erase Suspend Read (Erase Suspended Sector) (Note 1)	1	1	Toggle
Erase-Suspend Program	$\overline{DQ_7}$	Toggle (Note 1)	1 (Note 2)

- Notes:**
1. Performing successive read operations from any address will cause DQ₆ to toggle.
 2. Reading the byte address being programmed while in the erase-suspend program mode will indicate logic "1" at the DQ₂ bit. However, successive reads from the erase-suspended sector will cause DQ₂ to toggle.

Word/Byte Configuration

The $\overline{\text{BYTE}}$ pin selects the byte (8-bit) mode or word (16-bit) mode for the MBM29PL160TD/BD device. When this pin is driven high, the device operates in the word (16-bit) mode. The data is read and programmed at DQ₀ to DQ₁₅. When this pin is driven low, the device operates in byte (8-bit) mode. Under this mode, DQ_{15/A-1} pin becomes the lowest address bit and DQ₈ to DQ₁₄ bits are tri-stated. However, the command bus cycle is always an 8-bit operation and hence commands are written at DQ₀ to DQ₇ and DQ₈ to DQ₁₅ bits are ignored. Refer to Figures 11 to 13 for the timing diagrams.

Data Protection

The MBM29PL160TD/BD is designed to offer protection against accidental erasure or programming caused by spurious system level signals that may exist during power transitions. During power up the device automatically resets the internal state machine to the Read mode. Also, with its control register architecture, alteration of the memory contents only occurs after successful completion of specific multi-bus cycle command sequence.

The device also incorporates several features to prevent inadvertent write cycles resulting from V_{CC} power-up and power-down transitions or system noise.

Low V_{CC} Write Inhibit

To avoid initiation of a write cycle during V_{CC} power-up and power-down, a write cycle is locked out for V_{CC} less than 2.3 V (typically 2.4 V). If $V_{CC} < V_{LKO}$, the command register is disabled and all internal program/erase circuits are disabled. Under this condition, the device will reset to the read mode. Subsequent writes will be ignored until the V_{CC} level is greater than V_{LKO} . It is the users responsibility to ensure that the control pins are logically correct to prevent unintentional writes when V_{CC} is above 2.3 V.

If the Embedded Erase Algorithm is interrupted, there is possibility that the erasing sector(s) will need to be erased again prior to programming.

Write Pulse “Glitch” Protection

Noise pulses of less than 5 ns (typical) on \overline{OE} , \overline{CE} , or \overline{WE} will not change the command registers.

Logical Inhibit

Writing is inhibited by holding any one of $\overline{OE} = V_{IL}$, $\overline{CE} = V_{IH}$, or $\overline{WE} = V_{IH}$. To initiate a write, \overline{CE} and \overline{WE} must be a logical zero while \overline{OE} is a logical one.

Power-up Write Inhibit

Power-up of the devices with $\overline{WE} = \overline{CE} = V_{IL}$ and $\overline{OE} = V_{IH}$ will not accept commands on the rising edge of \overline{WE} . The internal state machine is automatically reset to read mode on power-up.

MBM29PL160TD-75/-90/MBM29PL160BD-75/-90

Table 11 Common Flash Memory Interface Code

Description	A ₀ to A ₆	DQ ₀ to DQ ₁₅	Description	A ₀ to A ₆	DQ ₀ to DQ ₁₅
Query-unique ASCII string "QRY"	10h 11h 12h	0051h 0052h 0059h	Erase Block Region 2 Information	31h 32h 33h 34h	0001h 0000h 0020h 0000h
Primary OEM Command Set 2h: AMD/FJ standard type	13h 14h	0002h 0000h	Erase Block Region 3 Information	35h 36h 37h 38h	0000h 0000h 0080h 0003h
Address for Primary Extended Table	15h 16h	0040h 0000h	Erase Block Region 4 Information	39h 3Ah 3Bh 3Ch	0006h 0000h 0000h 0004h
Alternate OEM Command Set (00h = not applicable)	17h 18h	0000h 0000h	Query-unique ASCII string "PRI"	40h 41h 42h	0050h 0052h 0049h
Address for Alternate OEM Extended Table	19h 1Ah	0000h 0000h	Major version number, ASCII	43h	0031h
V _{CC} Min. (write/erase) D7-4: volt, D3-0: 100 mvolt	1Bh	0027h	Minor version number, ASCII	44h	0030h
V _{CC} Max. (write/erase) D7-4: volt, D3-0: 100 mvolt	1Ch	0036h	Address Sensitive Unlock 0 = Required 1 = Not Required	45h	0000h
V _{PP} Min. voltage	1Dh	0000h	Erase Suspend 0 = Not Supported 1 = To Read Only 2 = To Read & Write	46h	0002h
V _{PP} Max. voltage	1Eh	0000h	Sector Protect 0 = Not Supported X = Number of sectors in per group	47h	0001h
Typical timeout per single byte/word write 2 ^N μs	1Fh	0004h	Sector Temporary Unprotect 00 = Not Supported 01 = Supported	48h	0001h
Typical timeout for Min. size buffer write 2 ^N μs	20h	0000h	Sector Protection Algorithm	49h	0004h
Typical timeout per individual block erase 2 ^N ms	21h	000Ah	Number of Sector for Bank2	4Ah	00h
Typical timeout for full chip erase 2 ^N ms	22h	0000h	Burst Mode Type 00 = Not supported	4Bh	00h
Max. timeout for byte/word write 2 ^N times typical	23h	0005h	Page Mode Type 00 = Not supported 01 = 4 word Page 02 = 8 word Page	4Ch	02h
Max. timeout for buffer write 2 ^N times typical	24h	0000h			
Max. timeout per individual block erase 2 ^N times typical	25h	0004h			
Max. timeout for full chip erase 2 ^N times typical	26h	0000h			
Device Size = 2 ^N byte	27h	0015h			
Flash Device Interface description	28h 29h	0002h 0000h			
Max. number of byte in multi-byte write = 2 ^N	2Ah 2Bh	0000h 0000h			
Number of Erase Block Regions within device	2Ch	0004h			
Erase Block Region 1 Information	2Dh 2Eh 2Fh 30h	0000h 0000h 0040h 0000h			

MBM29PL160TD-75/-90/MBM29PL160BD-75/-90

■ ABSOLUTE MAXIMUM RATINGS

Storage Temperature	-55°C to +125°C
Ambient Temperature with Power Applied	-40°C to +85°C
Voltage with respect to Ground All pins except A ₉ , \overline{OE} , and \overline{RESET} (Note 1)	-0.5 V to +5.5 V
V _{CC} (Note 1)	-0.5 V to +4.0 V
A ₉ , \overline{OE} , and \overline{RESET} (Note 2)	-0.5 V to +13.0 V

- Notes:** 1. Minimum DC voltage on input or I/O pins are -0.5 V. During voltage transitions, inputs may negative overshoot V_{SS} to -2.0 V for periods of up to 20 ns. Maximum DC voltage on output and I/O pins are 6.0V. During voltage transitions, outputs may positive overshoot to V_{CC} +2.0 V for periods of up to 20 ns.
2. Minimum DC input voltage on A₉, \overline{OE} , and \overline{RESET} pins are -0.5 V. During voltage transitions, A₉, \overline{OE} , and \overline{RESET} pins may negative overshoot V_{SS} to -2.0 V for periods of up to 20 ns. Maximum DC input voltage on A₉, \overline{OE} , and \overline{RESET} pins are +13.0 V which may positive overshoot to 13.5 V for periods of up to 20 ns. Voltage difference between input voltage and supply voltage (V_{IN} - V_{CC}) do not exceed 9 V.

WARNING: Semiconductor devices can be permanently damaged by application of stress (voltage, current, temperature, etc.) in excess of absolute maximum ratings. Do not exceed these ratings.

■ RECOMMENDED OPERATING RANGES

Ambient Temperature (T _A)	
MBM29PL160TD/BD-75	-20°C to +70°C
MBM29PL160TD/BD-90	-40°C to +85°C
V _{CC} Supply Voltages	
MBM29PL160TD/BD-75/90	+2.7 V to +3.6 V

Operating ranges define those limits between which the functionality of the device is guaranteed.

WARNING: The recommended operating conditions are required in order to ensure the normal operation of the semiconductor device. All the device's electrical characteristics are warranted when the device is operated within these ranges.

Always use semiconductor devices within their recommended operating condition ranges. Operation outside these ranges may adversely affect reliability and could result in device failure.

No warranty is made with respect to uses, operating conditions, or combinations not represented on the data sheet. Users considering application outside the listed conditions are advised to contact their FUJITSU representatives beforehand.

■ MAXIMUM OVERSHOOT

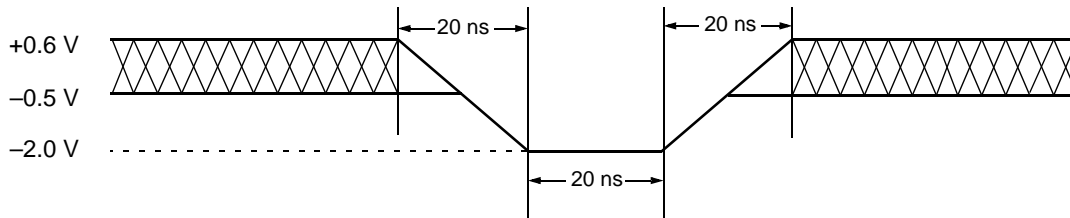


Figure 1 Maximum Negative Overshoot Waveform

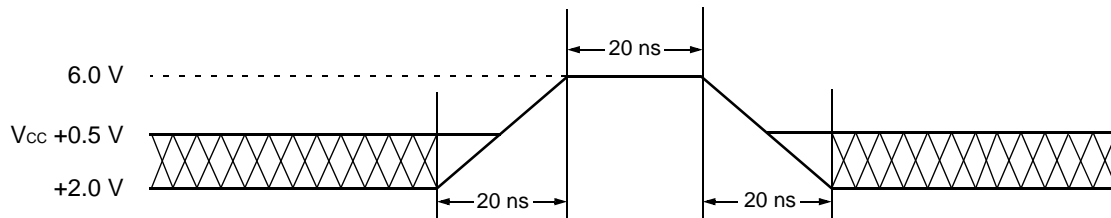
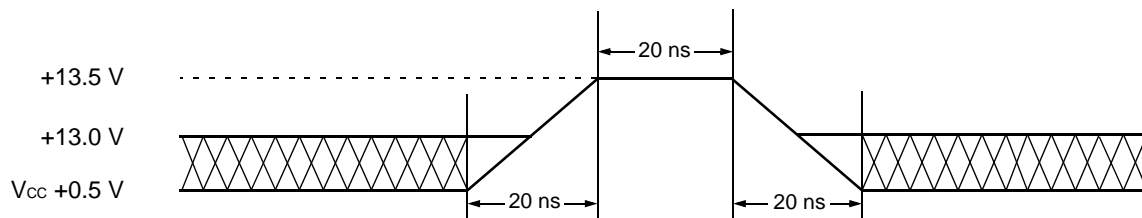


Figure 2 Maximum Positive Overshoot Waveform 1



Note : This waveform is applied for A_9 , \overline{OE} , and \overline{RESET} .

Figure 3 Maximum Positive Overshoot Waveform 2

MBM29PL160TD-75/-90/MBM29PL160BD-75/-90

■ DC CHARACTERISTICS

Parameter Symbol	Parameter Description	Test Conditions	Min.	Max.	Unit	
I _{LI}	Input Leakage Current	V _{IN} = V _{SS} to V _{CC} , V _{CC} = V _{CC} Max.	-1.0	+1.0	μA	
I _{LO}	Output Leakage Current	V _{OUT} = V _{SS} to V _{CC} , V _{CC} = V _{CC} Max.	-1.0	+1.0	μA	
I _{LIT}	A ₉ , \overline{OE} , \overline{RESET} Inputs Leakage Current	V _{CC} = V _{CC} Max., A ₉ , \overline{OE} = 12.5 V	—	35	μA	
I _{CC1}	V _{CC} Active Current (Note 1)	\overline{CE} = V _{IL} , \overline{OE} = V _{IH} f = 10 MHz	—	70	mA	
		\overline{CE} = V _{IL} , \overline{OE} = V _{IH} f = 5 MHz	—	40	mA	
I _{CC2}	V _{CC} Active Current (Note 2)	\overline{CE} = V _{IL} , \overline{OE} = V _{IH}	—	35	mA	
I _{CC3}	V _{CC} Current (Standby)	V _{CC} = V _{CC} Max., \overline{CE} = V _{CC} ± 0.3 V,	—	5	μA	
I _{CC4}	V _{CC} Current (Automatic Sleep Mode) (Note 3)	V _{CC} = V _{CC} Max., \overline{CE} = V _{SS} ± 0.3 V, V _{IN} = V _{CC} ± 0.3 V or V _{SS} ± 0.3 V	—	5	μA	
I _{CC5}	V _{CC} Active Current (Page Read Mode)	\overline{CE} = V _{IL} , \overline{OE} = V _{IH}	30MHz	—	12	mA
			40MHz	—	15	mA
V _{IL}	Input Low Level	—	-0.5	0.8	V	
V _{IH}	Input High Level (Note 5)	—	2.0	5.5	V	
V _{ID}	Voltage for Autoselect, Sector Protection (A ₉ , \overline{OE}) (Note 4, 5)	—	11.5	12.5	V	
V _{OL}	Output Low Voltage Level	I _{OL} = 4.0 mA, V _{CC} = V _{CC} Min.	—	0.45	V	
V _{OH1}	Output High Voltage Level	I _{OH} = -2.0 mA, V _{CC} = V _{CC} Min.	2.4	—	V	
V _{OH2}		I _{OH} = -100 μA	V _{CC} - 0.4	—	V	
V _{LKO}	Low V _{CC} Lock-Out Voltage	—	2.3	2.5	V	

- Notes:**
1. The I_{CC} current listed includes both the DC operating current and the frequency dependent component.
 2. I_{CC} active while Embedded Erase or Embedded Program is in progress.
 3. Automatic sleep mode enables the low power mode when address remain stable for 150 ns.
 4. Applicable for only sector protection.
 5. The input voltage must be input after V_{CC} is valid.

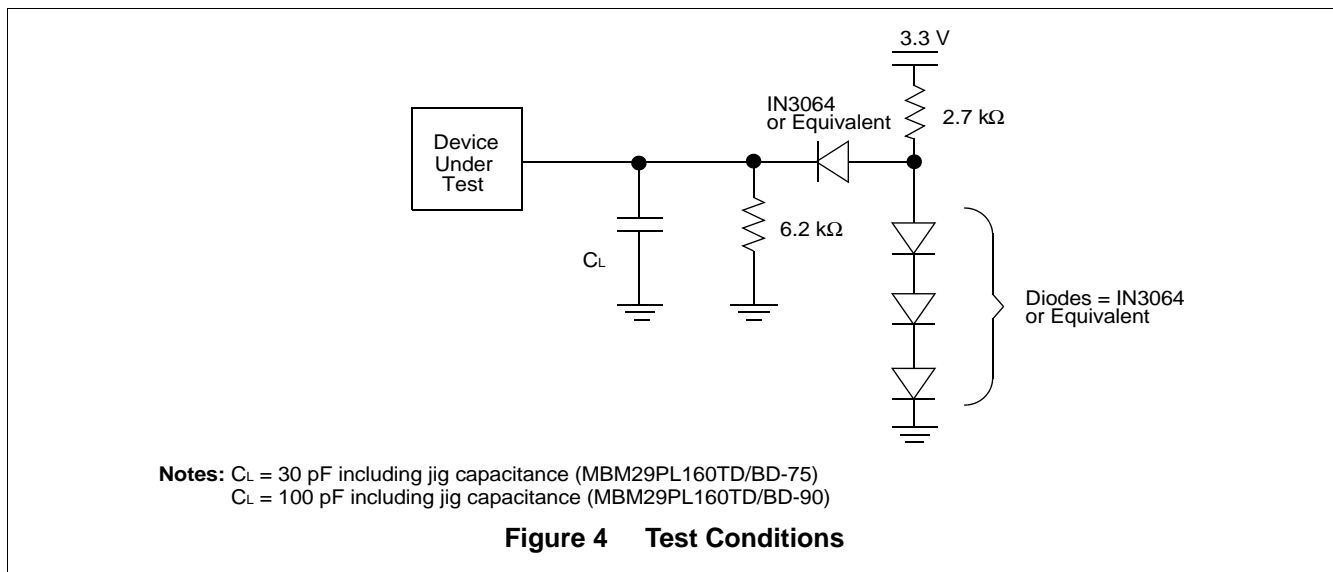
MBM29PL160TD-75/-90/MBM29PL160BD-75/-90

■ AC CHARACTERISTICS

• Read Only Operations Characteristics

Parameter Symbols		Description	Test Setup		-75 (Note)	-90 (Note)	Unit
JEDEC	Standard						
t _{AVAV}	t _{RC}	Read Cycle Time	—	Min.	75	90	ns
t _{AVQV}	t _{ACC}	Address to Output Delay	$\overline{CE} = V_{IL}$ $\overline{OE} = V_{IL}$	Max.	75	90	ns
—	t _{PRC}	Page Read Cycle Time	—	Min.	25	35	ns
—	t _{PACC}	Page Address to Output Delay	$\overline{CE} = V_{IL}$ $\overline{OE} = V_{IL}$	Max.	25	35	ns
t _{ELQV}	t _{CE}	Chip Enable to Output Delay	$\overline{OE} = V_{IL}$	Max.	75	90	ns
t _{GLQV}	t _{OE}	Output Enable to Output Delay	—	Max.	25	35	ns
t _{EHQZ}	t _{DF}	Chip Enable to Output HIGH-Z	—	Max.	20	30	ns
t _{GHQZ}	t _{DF}	Output Enable to Output HIGH-Z	—	Max.	20	30	ns
t _{AXQX}	t _{OH}	Output Hold Time From Address, \overline{CE} or \overline{OE} , Whichever Occurs First	—	Min.	4	5	ns
—	t _{ELFL} t _{ELFH}	\overline{CE} or \overline{BYTE} Switching Low or High	—	Max.	4	5	ns

Note: Test Conditions: Output Load: 1 TTL gate and 30 pF (MBM29PL160TD/BD-75)
1 TTL gate and 100 pF (MBM29PL160TD/BD-90)
Input rise and fall times: 5 ns
Input pulse levels: 0.0 V to 3.0 V
Timing measurement reference level
Input: 1.5 V
Output: 1.5 V



MBM29PL160TD-75/-90/MBM29PL160BD-75/-90

• Write (Erase/Program) Operations

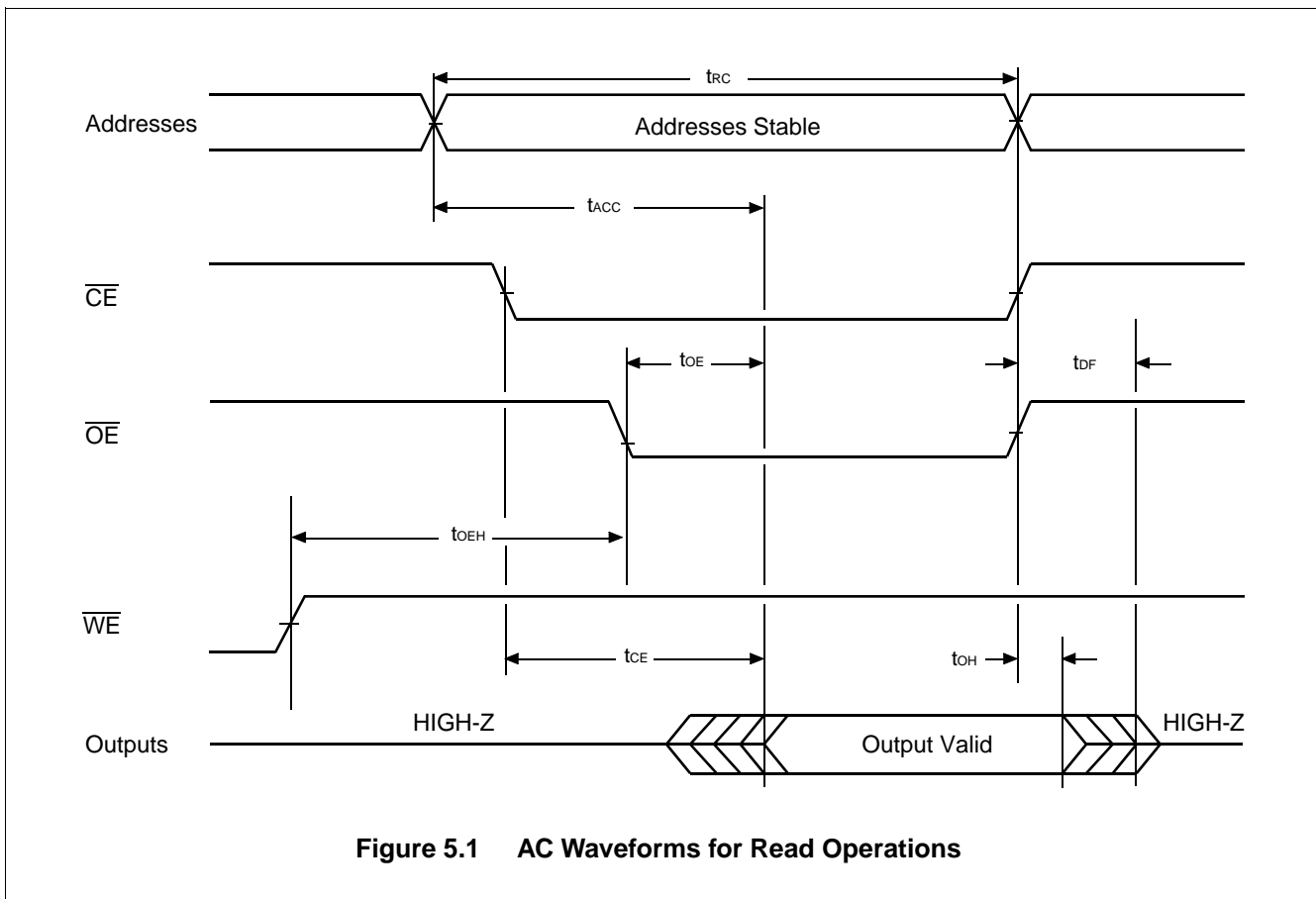
Parameter Symbols		Description		MBM29PL160TD/BD		Unit	
JEDEC	Standard			-75	-90		
t _{AVAV}	t _{WC}	Write Cycle Time		Min.	75	90	ns
t _{AVWL}	t _{AS}	Address Setup Time		Min.	0	0	ns
t _{WLAX}	t _{AH}	Address Hold Time		Min.	45	45	ns
t _{DVWH}	t _{DS}	Data Setup Time		Min.	35	45	ns
t _{WHDX}	t _{DH}	Data Hold Time		Min.	0	0	ns
—	t _{OES}	Output Enable Setup Time		Min.	0	0	ns
—	t _{OEH}	Output Enable Hold Time	Read	Min.	0	0	ns
			Toggle and $\overline{\text{Data}}$ Polling	Min.	10	10	ns
t _{GHWL}	t _{GHWL}	Read Recover Time Before Write		Min.	0	0	ns
t _{GHEL}	t _{GHEL}	Read Recover Time Before Write (OE High to CE Low)		Min.	0	0	ns
t _{ELWL}	t _{CS}	$\overline{\text{CE}}$ Setup Time		Min.	0	0	ns
t _{WLEL}	t _{WS}	$\overline{\text{WE}}$ Setup Time		Min.	0	0	ns
t _{WHEH}	t _{CH}	$\overline{\text{CE}}$ Hold Time		Min.	0	0	ns
t _{EHWH}	t _{WH}	$\overline{\text{WE}}$ Hold Time		Min.	0	0	ns
t _{WLWH}	t _{WP}	Write Pulse Width		Min.	35	35	ns
t _{ELEH}	t _{CP}	$\overline{\text{CE}}$ Pulse Width		Min.	35	35	ns
t _{WHWL}	t _{WPH}	Write Pulse Width High		Min.	20	30	ns
t _{EHEL}	t _{CPH}	$\overline{\text{CE}}$ Pulse Width High		Min.	20	30	ns
t _{WHWH1}	t _{WHWH1}	Programming Operation	Byte	Typ.	8.6	8.6	μs
			Word		12.6	12.6	
t _{WHWH2}	t _{WHWH2}	Sector Erase Operation (Note 1)		Typ.	4.8	4.8	sec
—	t _{EOE}	Delay Time from Embedded Output Enable		Max.	75	90	ns
—	t _{VCS}	V _{CC} Setup Time		Min.	50	50	μs
—	t _{VLHT}	Voltage Transition Time (Note 2)		Min.	4	4	μs
—	t _{WPP}	Write Pulse Width (Note 2)		Min.	100	100	μs
—	t _{OESP}	$\overline{\text{OE}}$ Setup Time to $\overline{\text{WE}}$ Active (Note 2)		Min.	4	4	μs
—	t _{CSP}	$\overline{\text{CE}}$ Setup Time to $\overline{\text{WE}}$ Active (Note 2)		Min.	4	4	μs
—	t _{RB}	Recover Time From RY/ $\overline{\text{BY}}$		Min.	0	0	ns
—	t _{FLQZ}	$\overline{\text{BYTE}}$ Switching Low to Output HIGH-Z		Max.	30	30	ns
—	t _{FHQV}	$\overline{\text{BYTE}}$ Switching High to Output Active		Min.	40	30	ns

- Notes:**
1. This does not include the preprogramming time.
 2. This timing is for Sector Protection operation.

SWITCHING WAVEFORMS

Key to Switching Waveforms

WAVEFORM	INPUTS	OUTPUTS
	Must Be Steady	Will Be Steady
	May Change from H to L	Will Be Change from H to L
	May Change from L to H	Will Be Change from L to H
	"H" or "L": Any Change Permitted	Changing, State Unknown
	Does Not Apply	Center Line is High-Impedance "Off" State



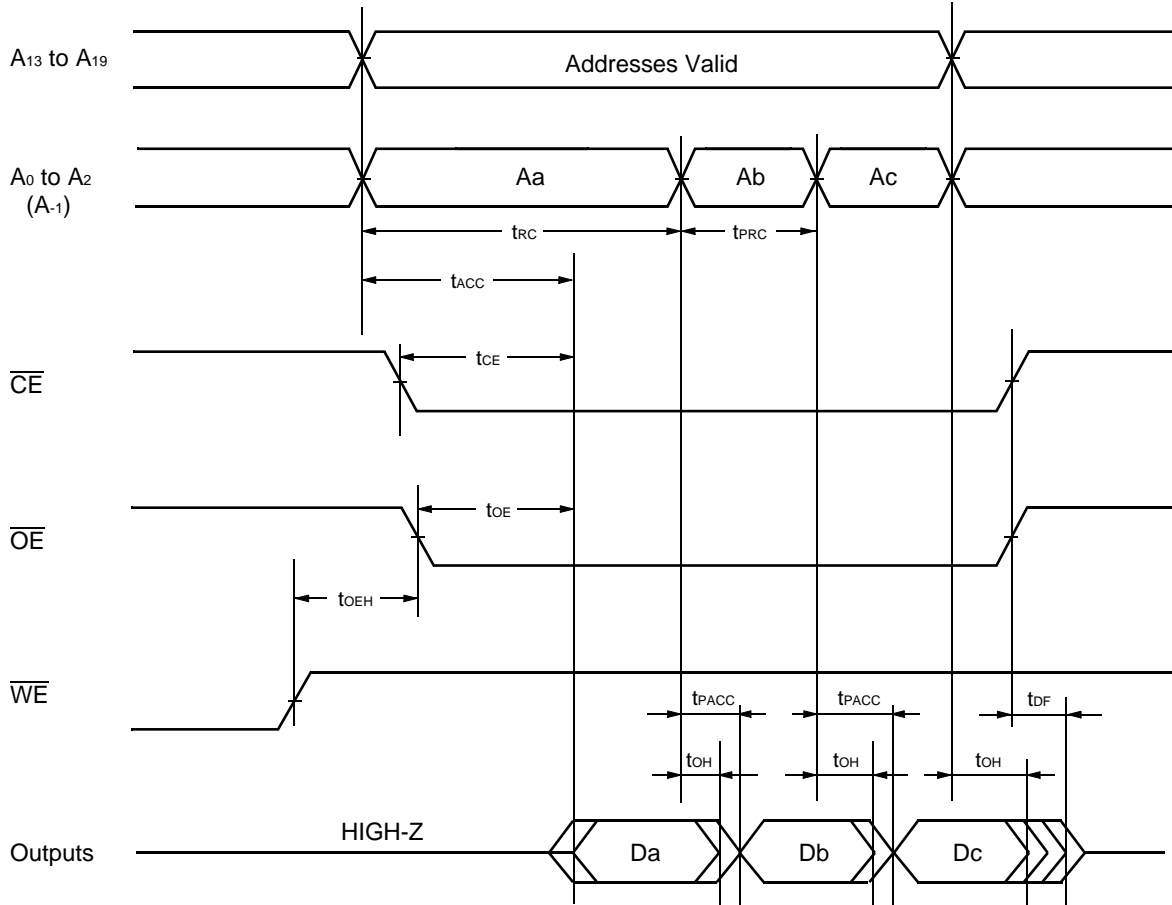
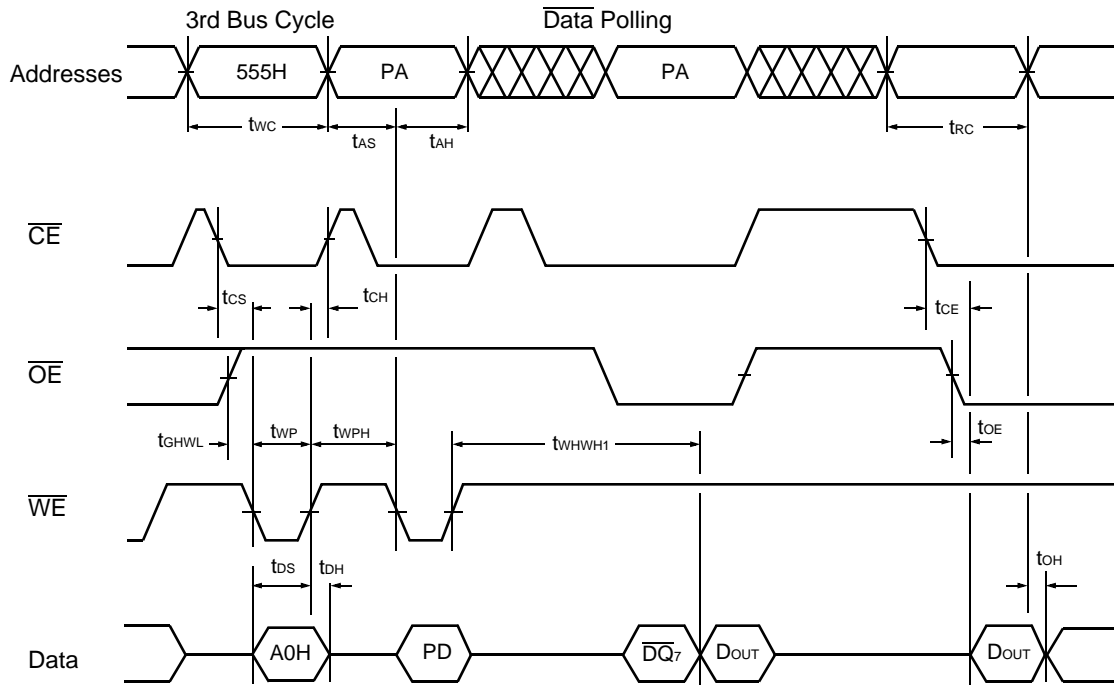
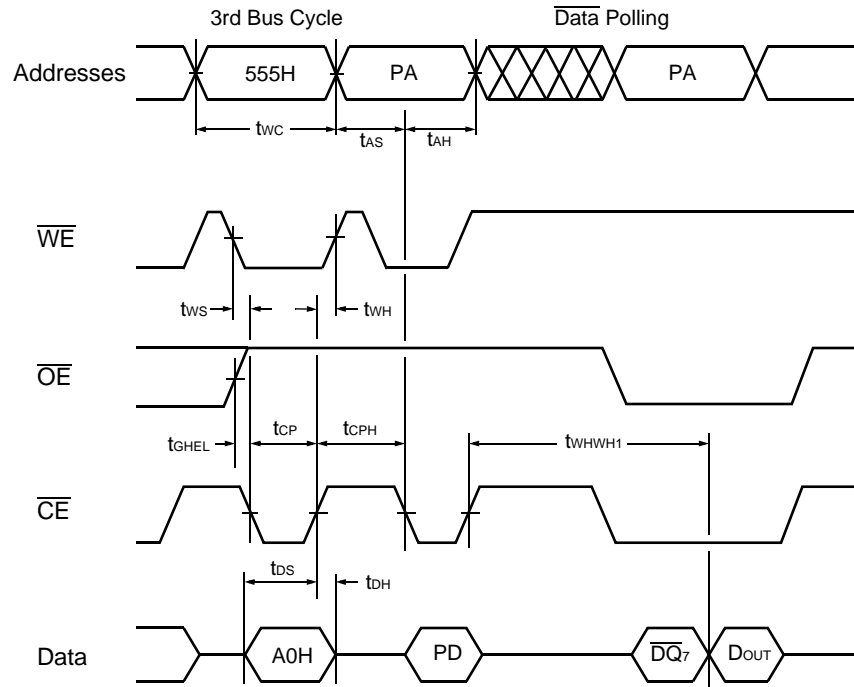


Figure 5.2 AC Waveforms for Page Read Mode Operations



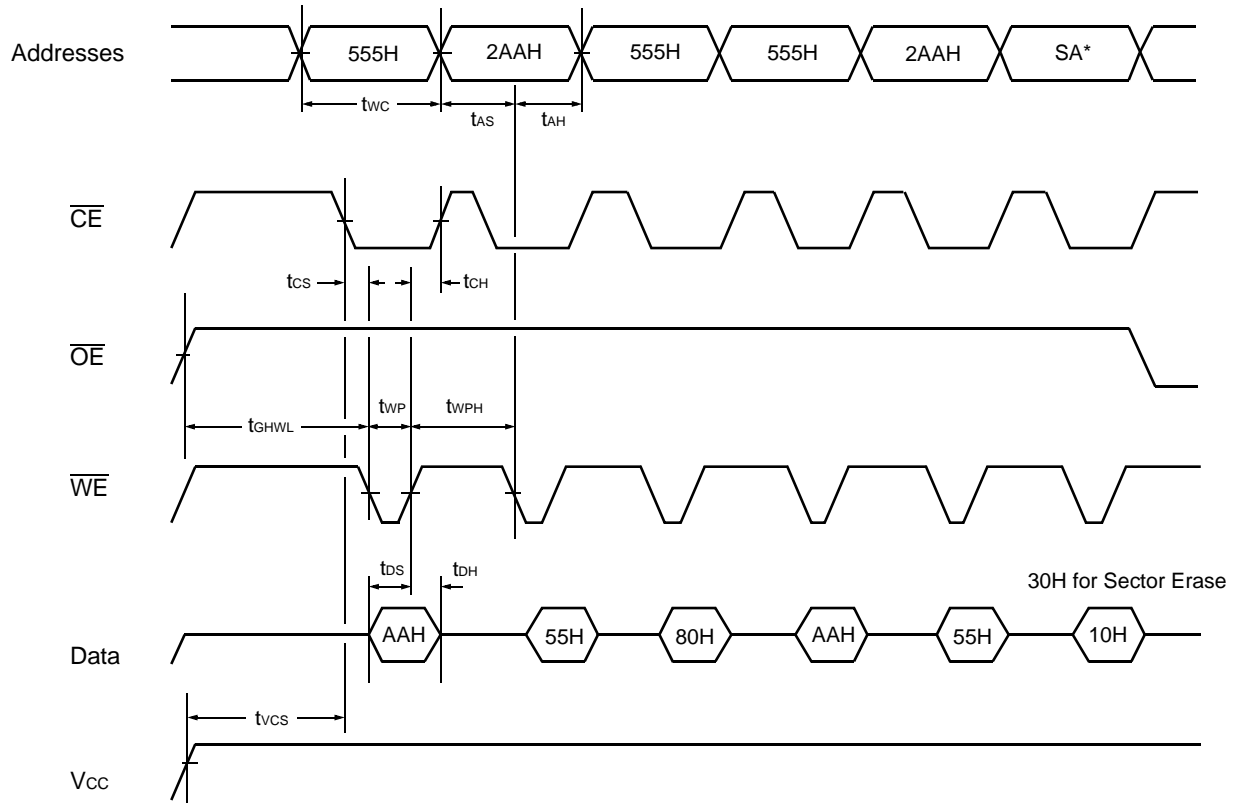
- Notes:**
1. PA is address of the memory location to be programmed.
 2. PD is data to be programmed at word address.
 3. \overline{DQ}_7 is the output of the complement of the data written to the device.
 4. D_{OUT} is the output of the data written to the device.
 5. Figure indicates last two bus cycles out of four bus cycle sequence.
 6. These waveforms are for the $\times 16$ mode. (The addresses differ from $\times 8$ mode.)

Figure 6 AC Waveforms for Alternate \overline{WE} Controlled Program Operations



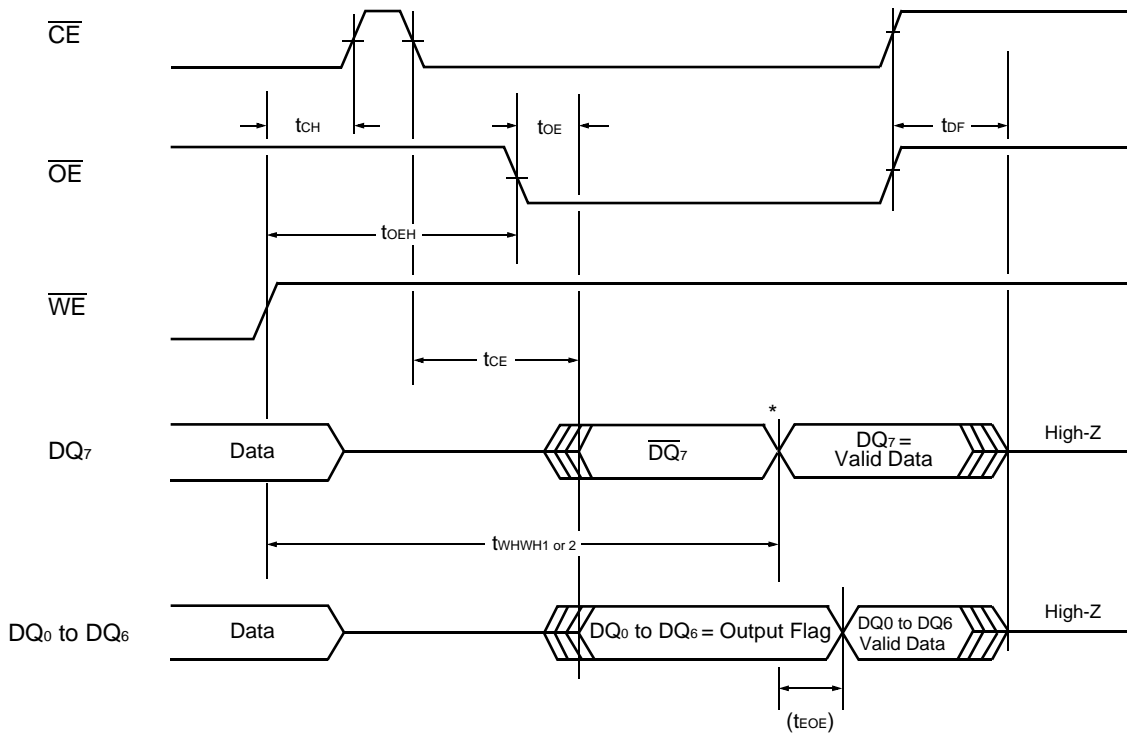
- Notes:**
1. PA is address of the memory location to be programmed.
 2. PD is data to be programmed at word address.
 3. \overline{DQ}_7 is the output of the complement of the data written to the device.
 4. DOUT is the output of the data written to the device.
 5. Figure indicates last two bus cycles out of four bus cycle sequence.
 6. These waveforms are for the $\times 16$ mode. (The addresses differ from $\times 8$ mode.)

Figure 7 AC Waveforms for Alternate \overline{CE} Controlled Program Operations



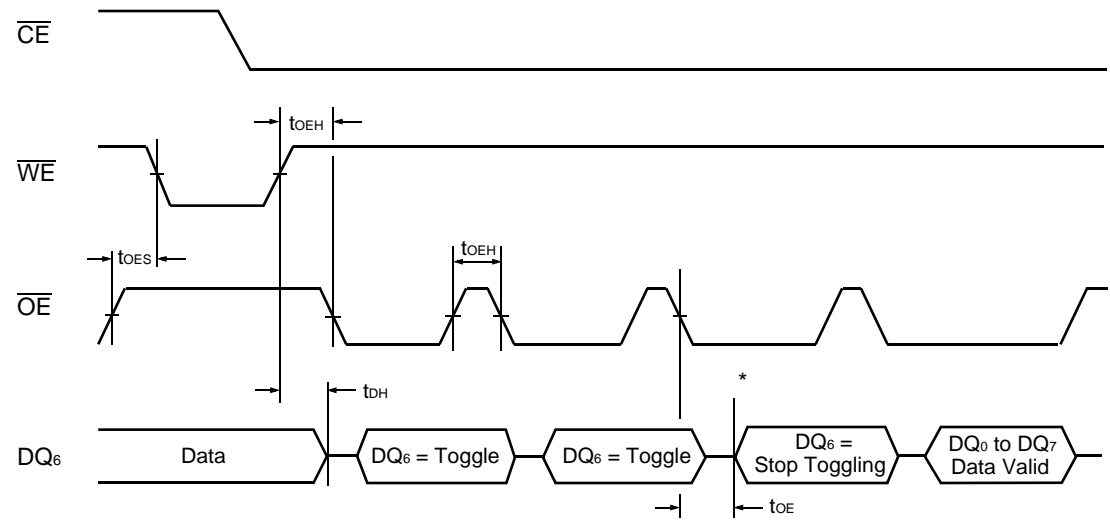
- * : 1. SA is the sector address for Sector Erase. Addresses = 555H (Word), AAAAH (Byte) for Chip Erase.
- 2. These waveforms are for the $\times 16$ mode. (The addresses differ from $\times 8$ mode.)

Figure 8 AC Waveforms for Chip/Sector Erase Operations



* : $DQ_7 = \text{Valid Data}$ (The device has completed the Embedded operation.)

Figure 9 AC Waveforms for Data Polling during Embedded Algorithm Operations



* : $DQ_6 = \text{Stops toggling}$. (The device has completed the Embedded operation.)

Figure 10 AC Waveforms for Taggle Bit I during Embedded Algorithm Operations

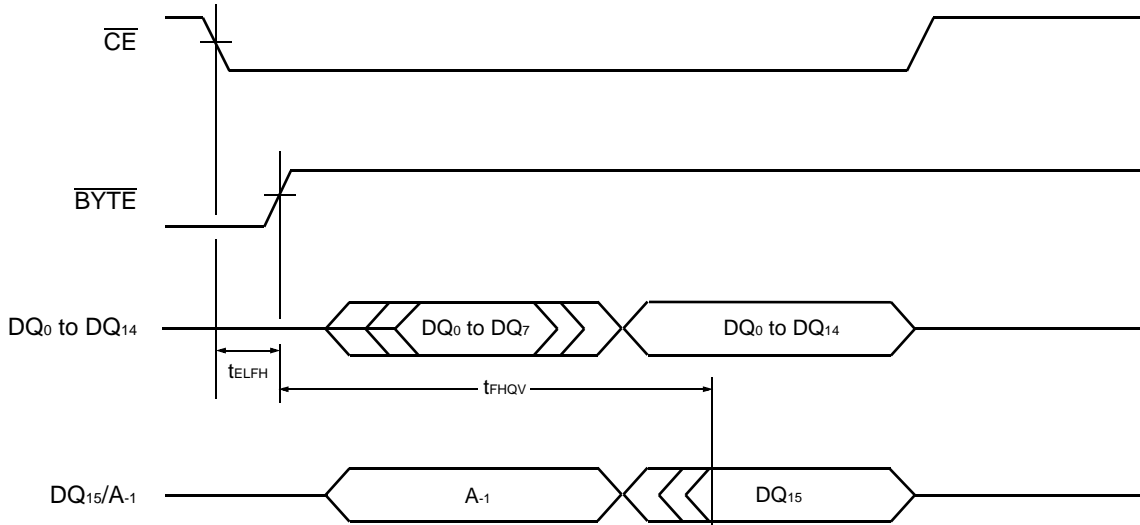


Figure 11 Timing Diagram for Word Mode Configuration

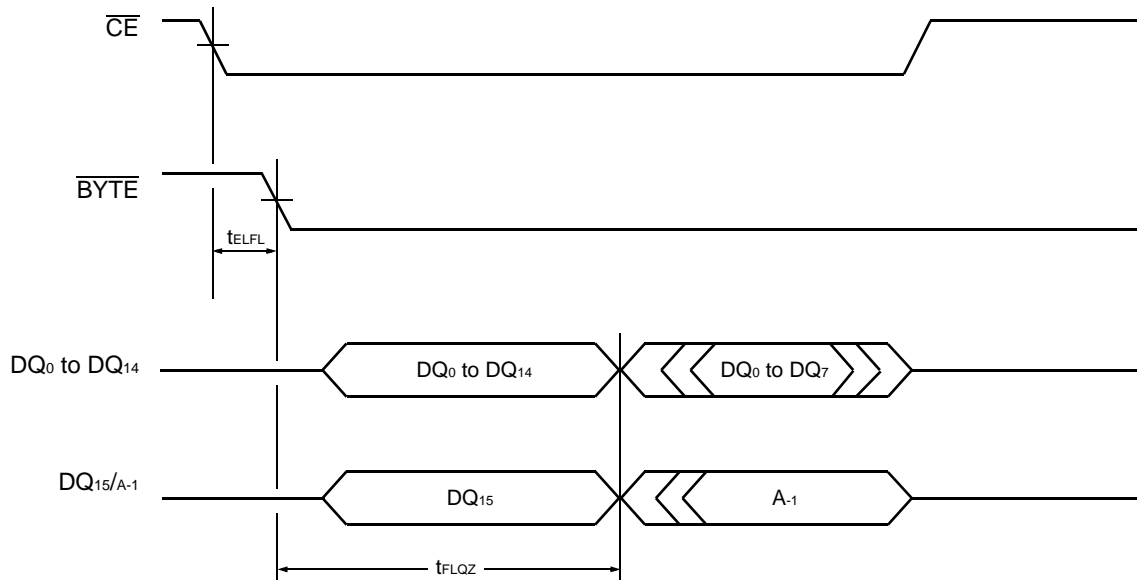


Figure 12 Timing Diagram for Byte Mode Configuration

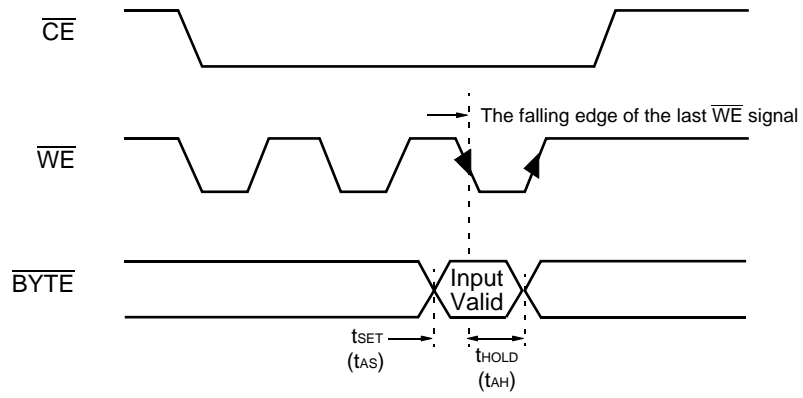
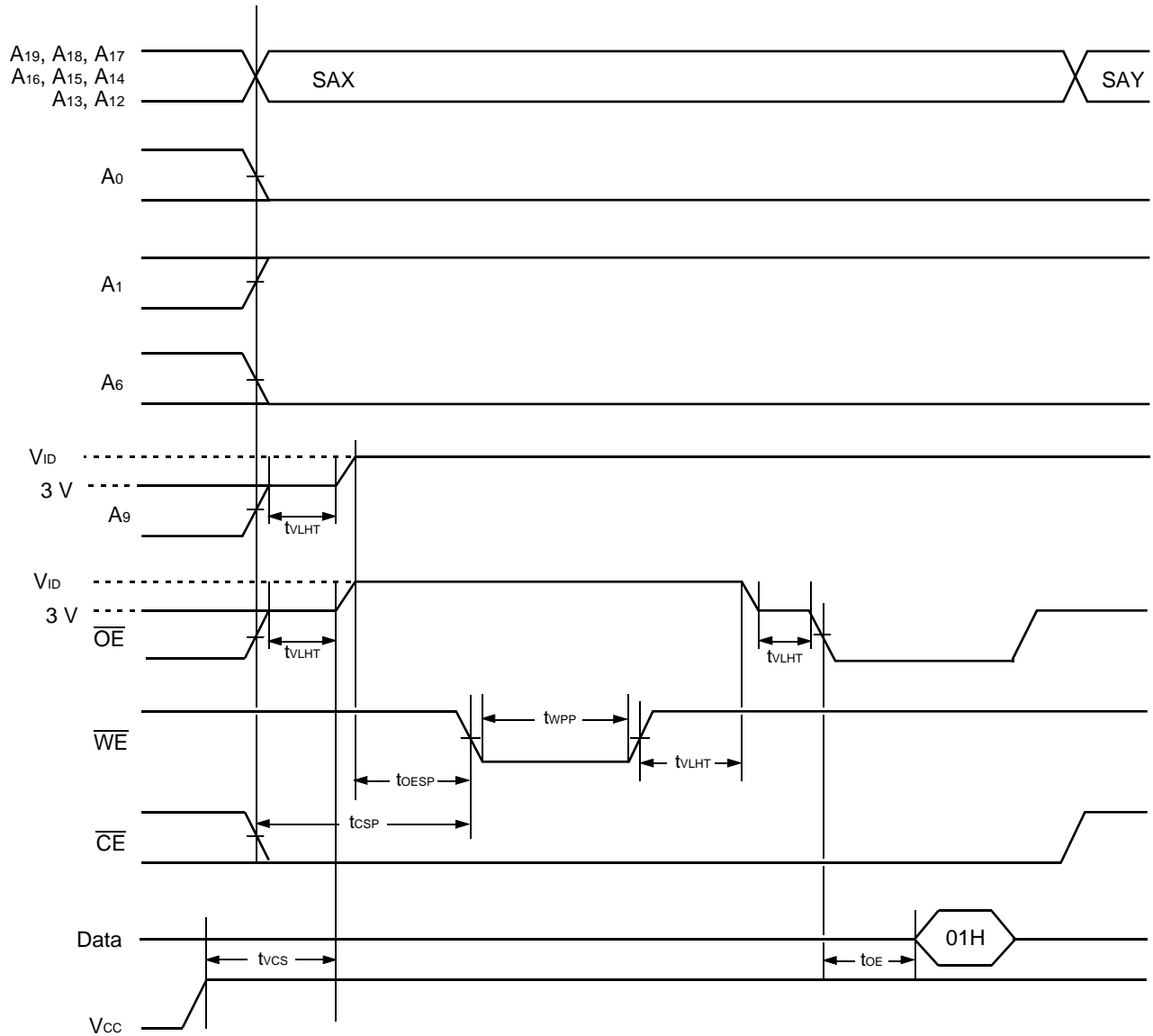


Figure 13 \overline{BYTE} Timing Diagram for Write Operations

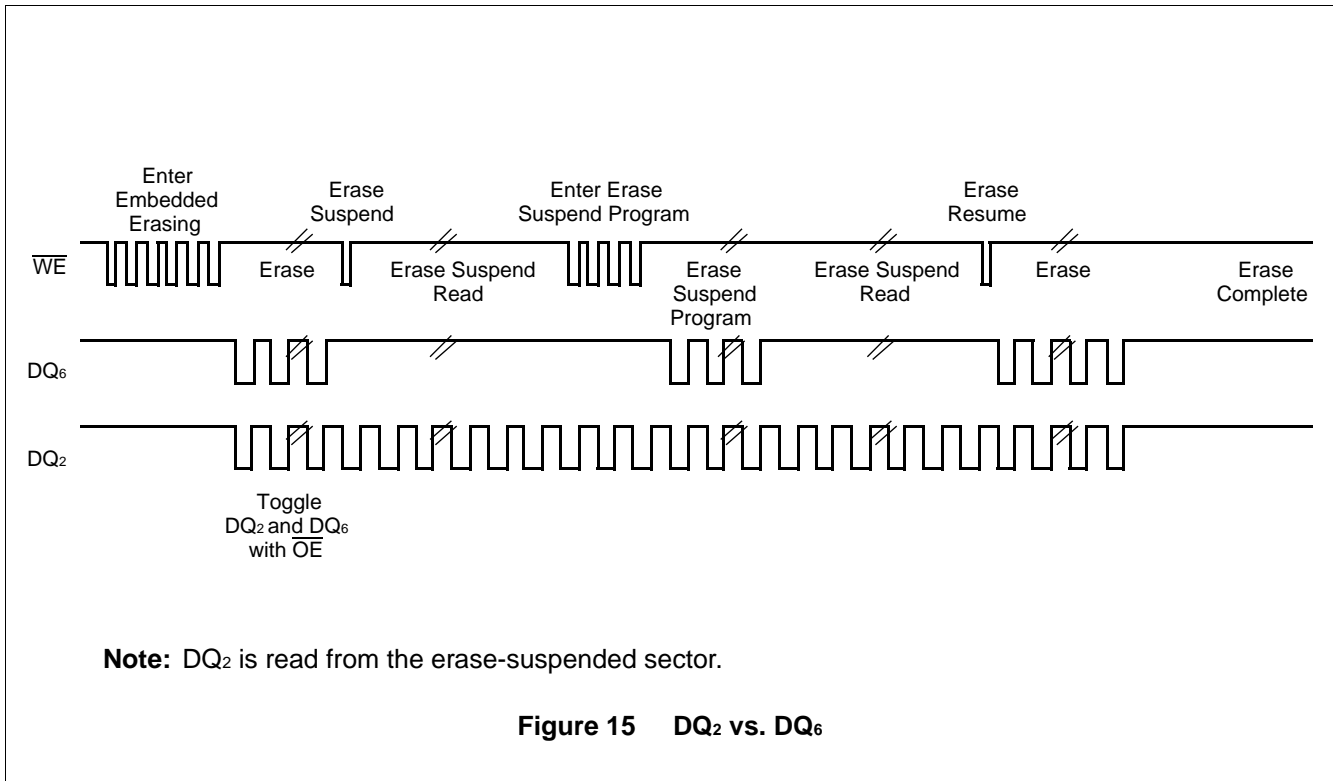


SAX = Sector Address for initial sector

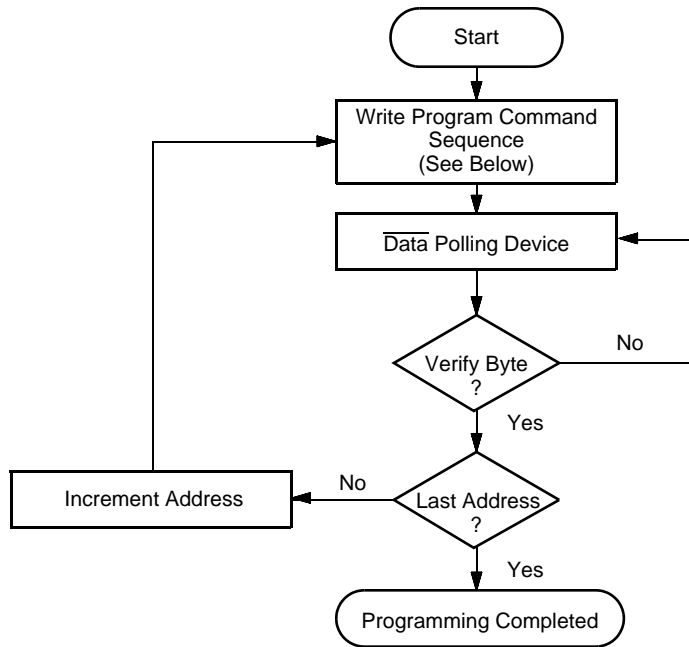
SAY = Sector Address for next sector

Note: A-1 is V_{IL} on byte mode.

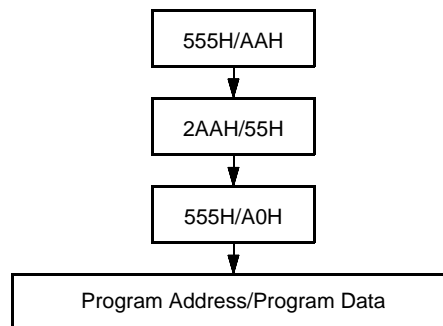
Figure 14 AC Waveforms for Sector Protection Timing Diagram



■ FLOW CHART

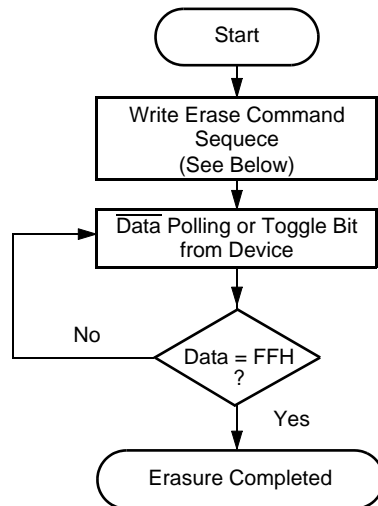


Program Command Sequence* (Address/Command):

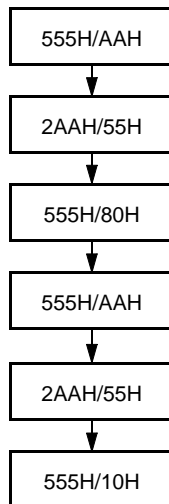


* : The sequence is applied for $\times 16$ mode.
The addresses differ from $\times 8$ mode.

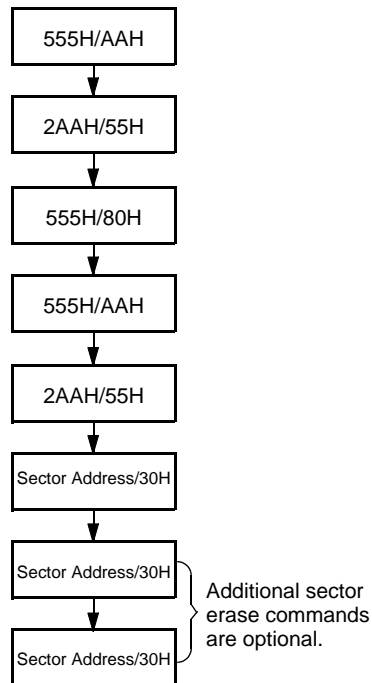
Figure 16 Embedded Program™ Algorithm



Chip Erase Command Sequence*
(Address/Command):

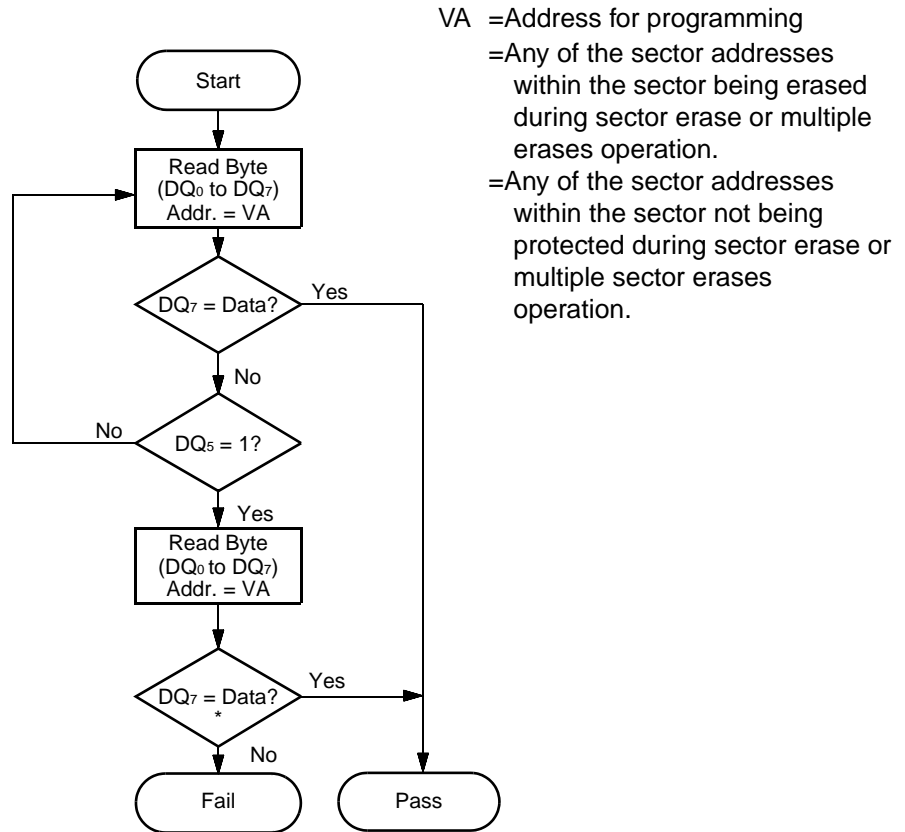


**Individual Sector/Multiple Sector*
Erase Command Sequence**
(Address/Command):



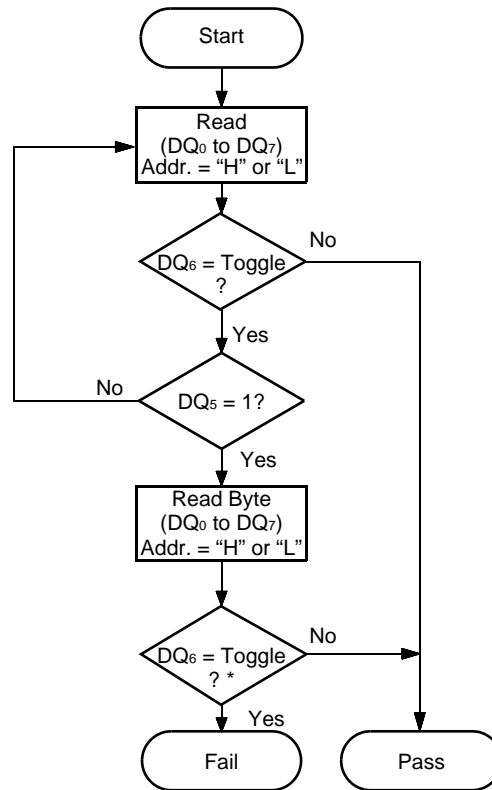
* : The sequence is applied for $\times 16$ mode.
The addresses differ from $\times 8$ mode.

Figure 17 Embedded Erase™ Algorithm



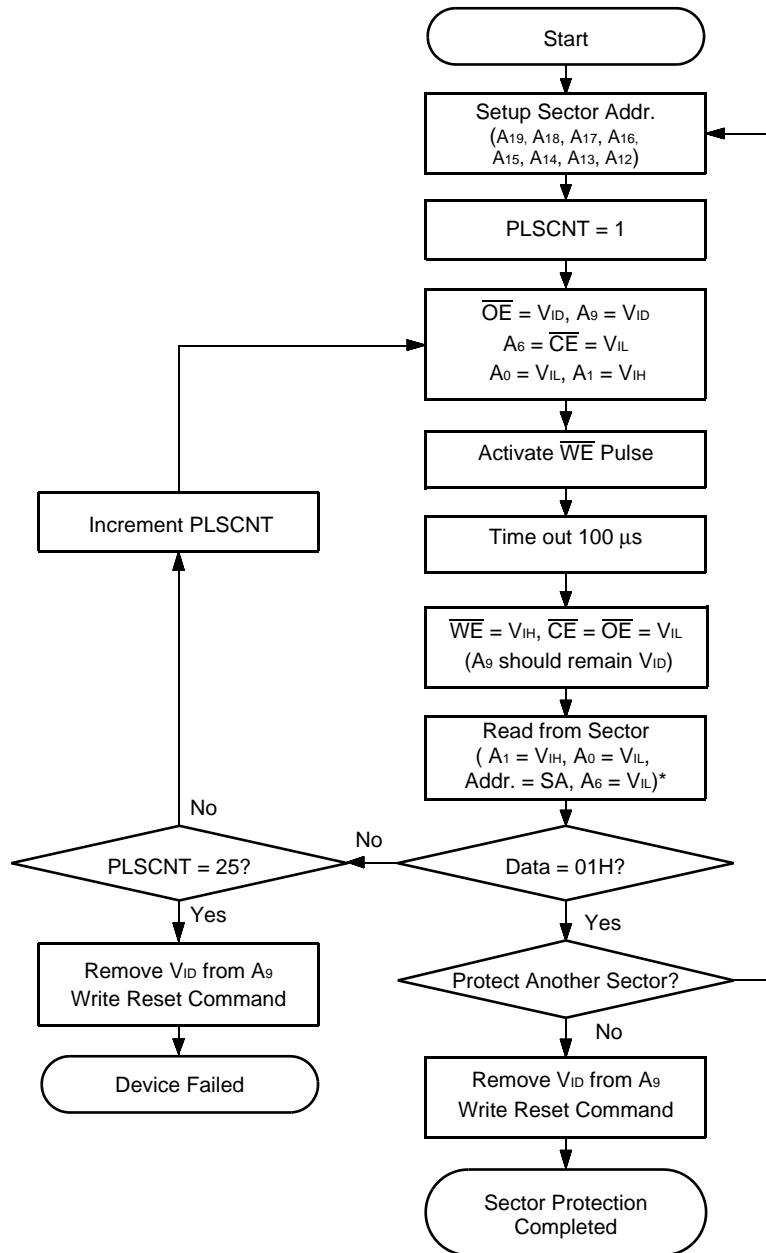
* : DQ₇ is rechecked even if DQ₅ = "1" because DQ₇ may change simultaneously with DQ₅.

Figure 18 Data Polling Algorithm



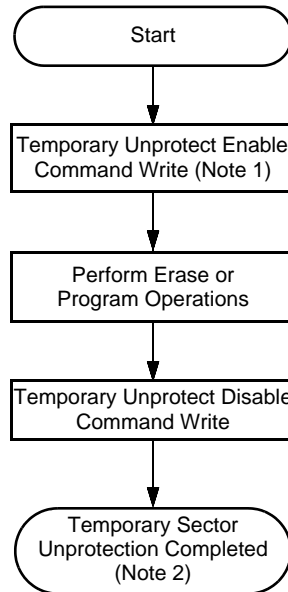
* : DQ₆ is rechecked even if DQ₅ = "1" because DQ₆ may stop toggling at the same time as DQ₅ changing to "1".

Figure 19 Toggle Bit Algorithm



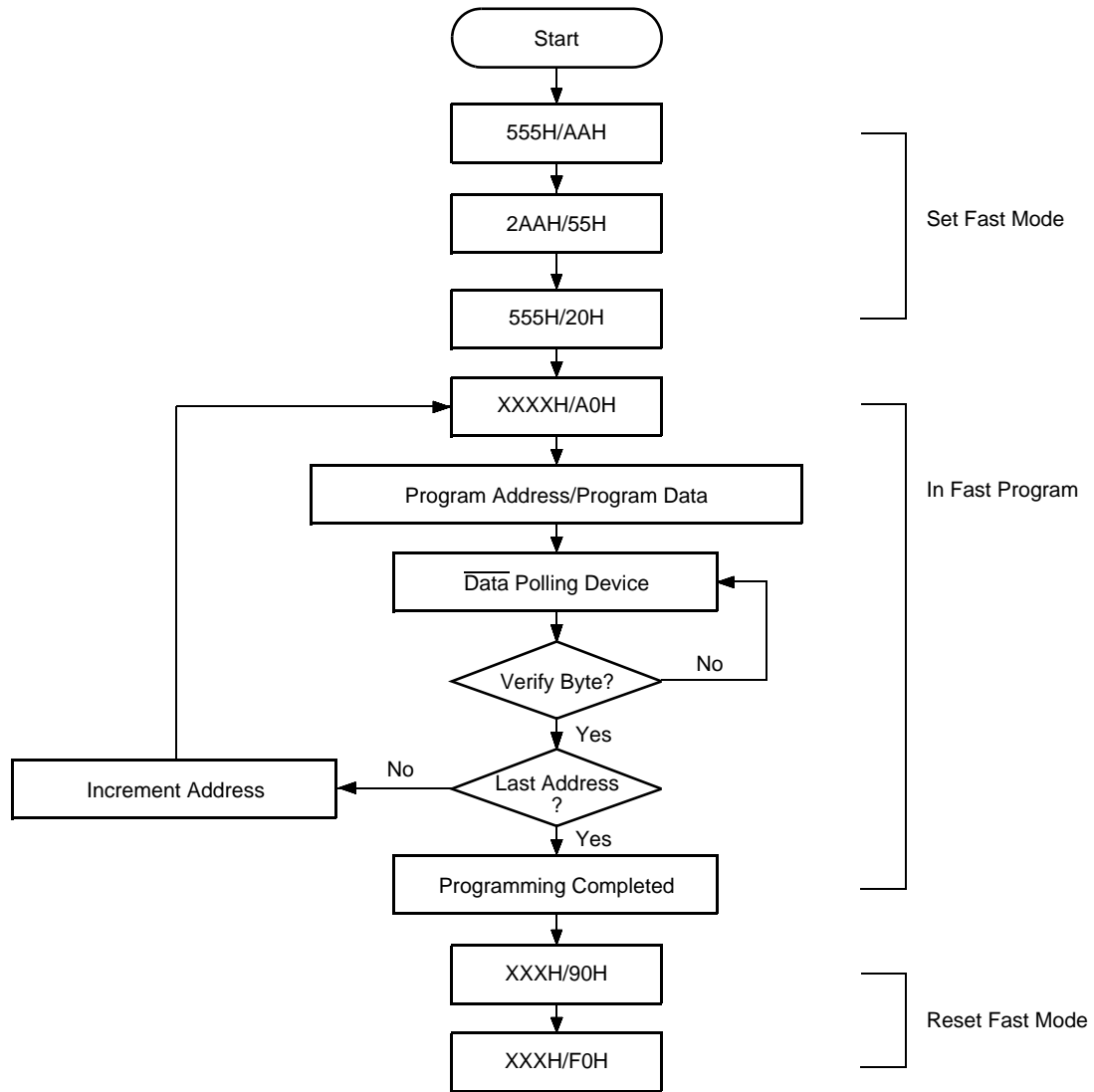
* : A-1 is V_{IL} on byte mode.

Figure 20 Sector Protection Algorithm



- Notes:**
1. All protected sectors are unprotected.
 2. All previously protected sectors are protected once again.

Figure 21 Temporary Sector Unprotection Algorithm



- * : The sequence is applied for ×16 mode.
- * : The addresses differ from ×8 mode.

Figure 22 Embedded Programming Algorithm for Fast Mode

MBM29PL160TD-75/-90/MBM29PL160BD-75/-90

■ ERASE AND PROGRAMMING PERFORMANCE

Parameter	Limits			Unit	Comments
	Min.	Typ.	Max.		
Sector Erase Time	—	4.8	60	sec	Excludes programming time prior to erasure
Byte Programming Time	—	8.6	300	μs	Excludes system-level overhead
Word Programming Time	—	12.6	360		
Chip Programming Time	—	18	140	sec	Excludes system-level overhead
Erase/Program Cycle	100,000	—	—	cycles	—

■ PIN CAPACITANCE

Parameter Symbol	Parameter Description	Test Setup	Typ.	Max.	Unit
C _{IN}	Input Capacitance	V _{IN} = 0	6.0	7.5	pF
C _{OUT}	Output Capacitance	V _{OUT} = 0	8.5	12.0	pF
C _{IN2}	Control Pin Capacitance	V _{IN} = 0	8.0	11.5	pF

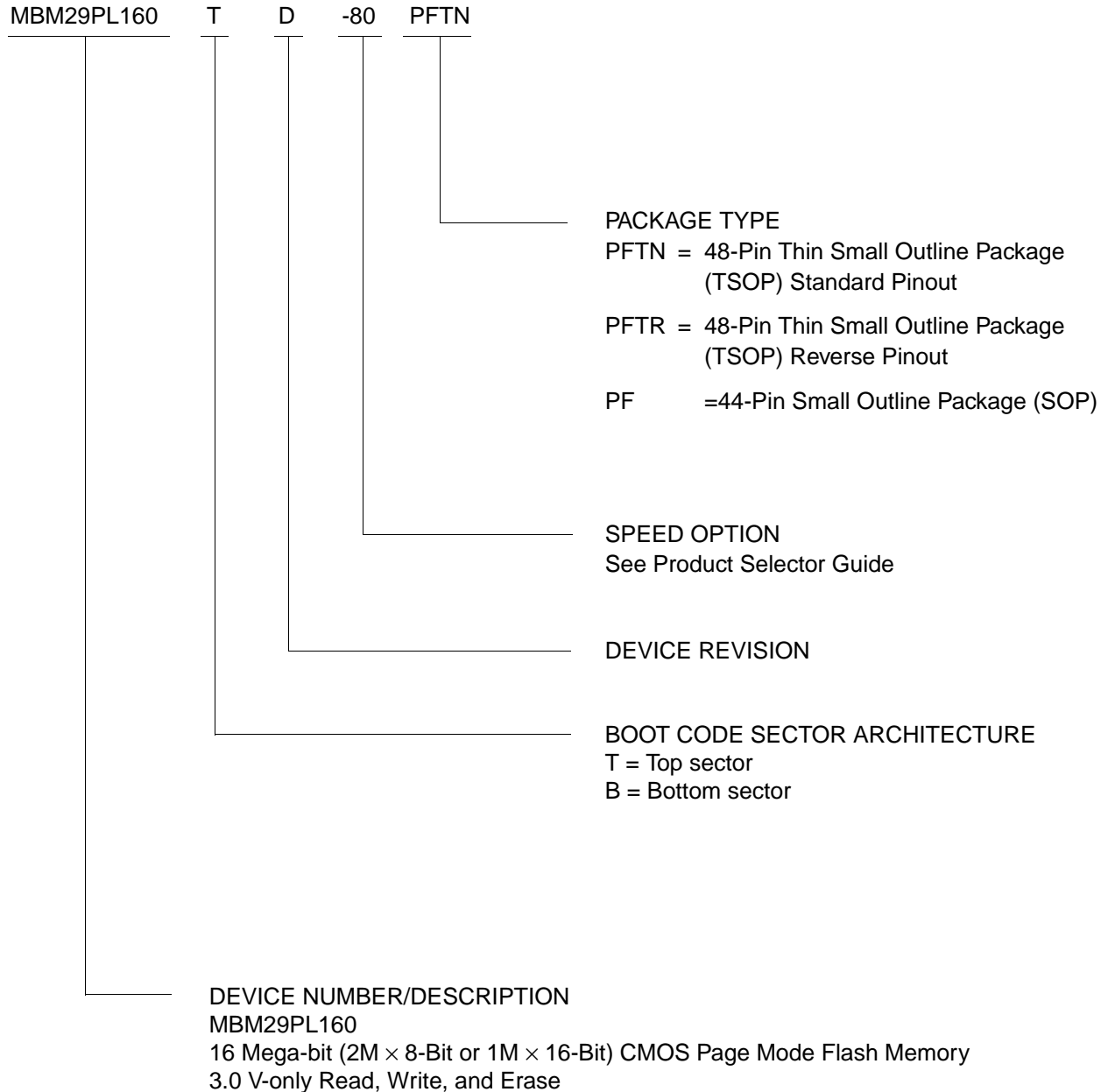
Note: Test conditions T_A = 25°C, f = 1.0 MHz

MBM29PL160TD-75/-90/MBM29PL160BD-75/-90

■ ORDERING INFORMATION

Standard Products

Fujitsu standard products are available in several packages. The order number is formed by a combination of:



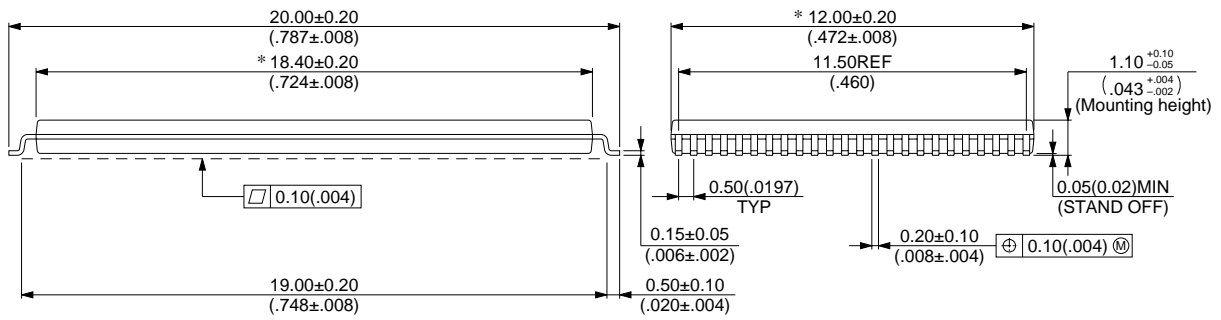
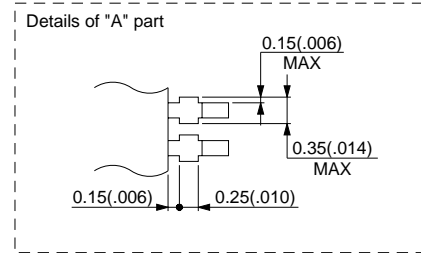
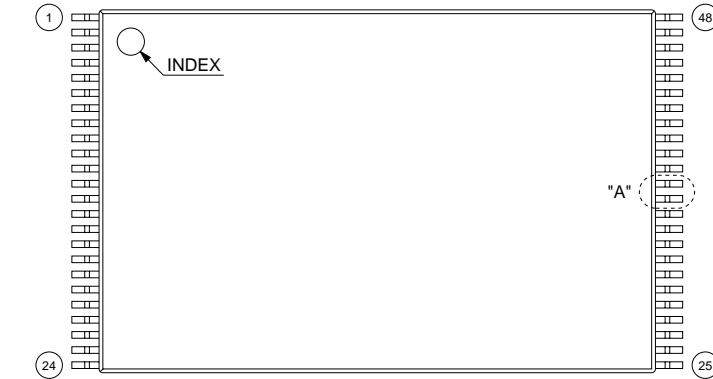
MBM29PL160TD-75/-90/MBM29PL160BD-75/-90

PACKAGE DIMENSIONS

48-pin plastic TSOP (I)
(FPT-48P-M19)

*: Resin protrusion. (Each side: 0.15(.006) Max)

LEAD No.



© 1996 FUJITSU LIMITED F48029S-2C-2

Dimensions in mm (inches)

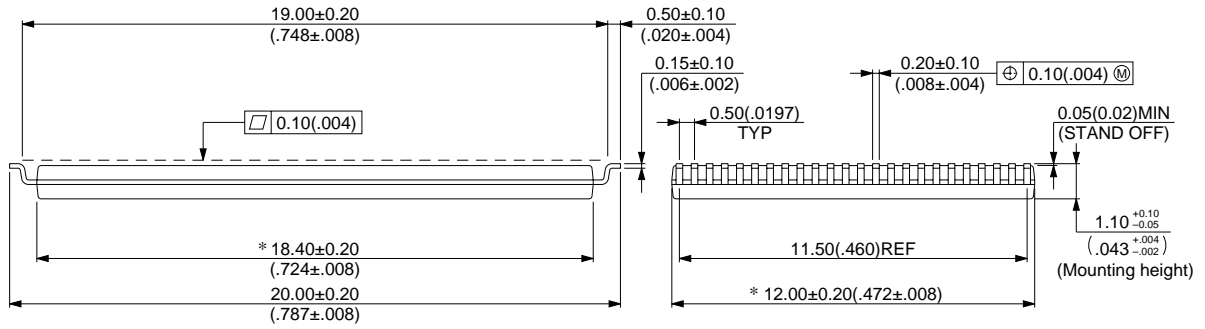
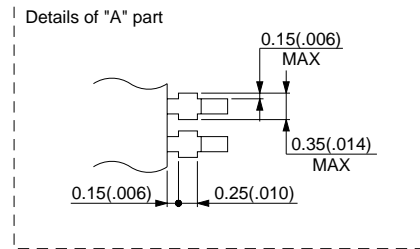
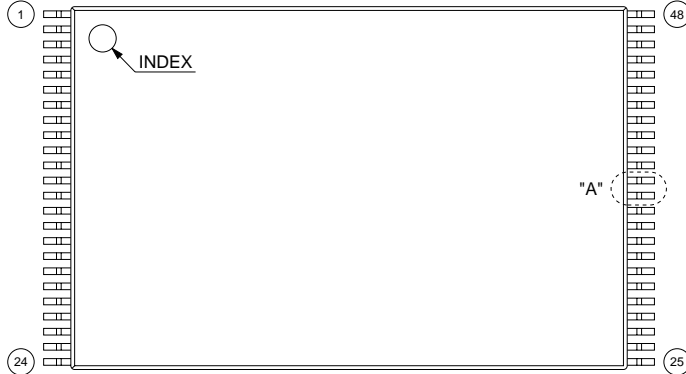
(Continued)

MBM29PL160TD-75/-90/MBM29PL160BD-75/-90

48-pin plastic TSOP (I)
(FPT-48P-M20)

*: Resin protrusion. (Each side: 0.15(.006) Max)

LEAD No.



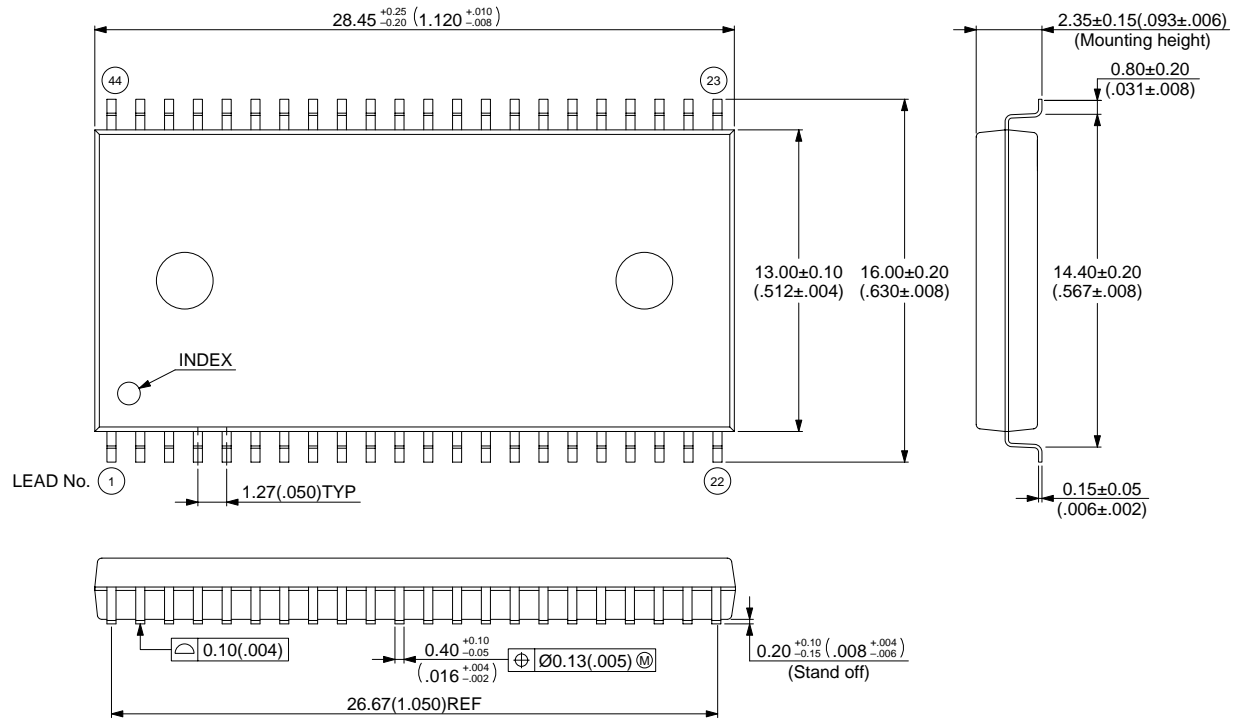
© 1996 FUJITSU LIMITED F48030S-2C-2

Dimensions in mm (inches)

(Continued)

MBM29PL160TD-75/-90/MBM29PL160BD-75/-90

44-pin plastic SOP
(FPT-44P-M16)



© 1998 FUJITSU LIMITED F44023S-4C-4

Dimensions in mm (inches)

FUJITSU LIMITED

For further information please contact:

Japan

FUJITSU LIMITED
Corporate Global Business Support Division
Electronic Devices
KAWASAKI PLANT, 4-1-1, Kamikodanaka
Nakahara-ku, Kawasaki-shi
Kanagawa 211-8588, Japan
Tel: 81(44) 754-3763
Fax: 81(44) 754-3329

<http://www.fujitsu.co.jp/>

North and South America

FUJITSU MICROELECTRONICS, INC.
Semiconductor Division
3545 North First Street
San Jose, CA 95134-1804, USA
Tel: (408) 922-9000
Fax: (408) 922-9179

Customer Response Center
Mon. - Fri.: 7 am - 5 pm (PST)
Tel: (800) 866-8608
Fax: (408) 922-9179

<http://www.fujitsumicro.com/>

Europe

FUJITSU MIKROELEKTRONIK GmbH
Am Siebenstein 6-10
D-63303 Dreieich-Buchsschlag
Germany
Tel: (06103) 690-0
Fax: (06103) 690-122

<http://www.fujitsu-edc.com/>

Asia Pacific

FUJITSU MICROELECTRONICS ASIA PTE LTD
#05-08, 151 Lorong Chuan
New Tech Park
Singapore 556741
Tel: (65) 281-0770
Fax: (65) 281-0220

<http://www.fmap.com.sg/>

F9907

© FUJITSU LIMITED Printed in Japan

All Rights Reserved.

The contents of this document are subject to change without notice. Customers are advised to consult with FUJITSU sales representatives before ordering.

The information and circuit diagrams in this document are presented as examples of semiconductor device applications, and are not intended to be incorporated in devices for actual use. Also, FUJITSU is unable to assume responsibility for infringement of any patent rights or other rights of third parties arising from the use of this information or circuit diagrams.

FUJITSU semiconductor devices are intended for use in standard applications (computers, office automation and other office equipment, industrial, communications, and measurement equipment, personal or household devices, etc.).

CAUTION:

Customers considering the use of our products in special applications where failure or abnormal operation may directly affect human lives or cause physical injury or property damage, or where extremely high levels of reliability are demanded (such as aerospace systems, atomic energy controls, sea floor repeaters, vehicle operating controls, medical devices for life support, etc.) are requested to consult with FUJITSU sales representatives before such use. The company will not be responsible for damages arising from such use without prior approval.

Any semiconductor devices have an inherent chance inherently a certain rate of failure. You must protect against injury, damage or loss from such failures by incorporating safety design measures into your facility and equipment such as redundancy, fire protection, and prevention of over-current levels and other abnormal operating conditions.

If any products described in this document represent goods or technologies subject to certain restrictions on export under the Foreign Exchange and Foreign Trade Law of Japan, the prior authorization by Japanese government will be required for export of those products from Japan.