

Surface Mount Quadrature Decoder/Counter Interface ICs

Technical Data

HCTL-2016 #PLC
HCTL-2020 #PLC

Features

- **20 Pin PLCC Surface Mount Package**
- **All Features of the HCTL-2016 and HCTL-2020 PDIP**

Description

The HCTL-2016 #PLC and HCTL-2020 #PLC are quadrature decoder/counter interface ICs in a 20 pin PLCC (plastic leaded chip carrier) surface mount package. These CMOS ICs interface incremental encoders to microprocessors by performing the quadrature decoder, counter, and bus transfer functions.

The HCTL-2016 #PLC and HCTL-2020 #PLC have all of the same features, functions, and operating characteristics as the HCTL-2016 and HCTL-2020 PDIP (plastic dual-in-line package).

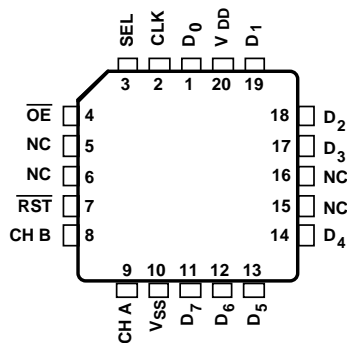
For further information on the operation and function of the HCTL-2016 #PLC and 2020 #PLC, please refer to the HCTL-2000/HCTL-2016/HCTL-2020 data sheet.

Applications

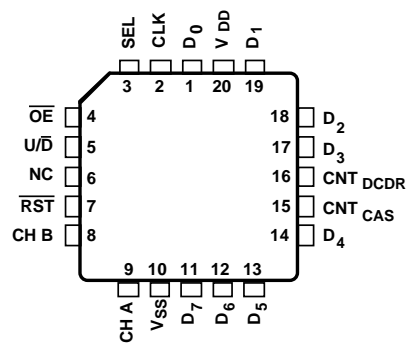
Typical applications include interfacing incremental encoders to microprocessors and interfacing digital potentiometers to digital data input buses.

Note: Agilent Technologies encoders are not recommended for use in safety critical applications. Eg. ABS braking systems, power steering, life support systems and critical care medical equipment. Please contact sales representative if more clarification is needed.

Pinouts



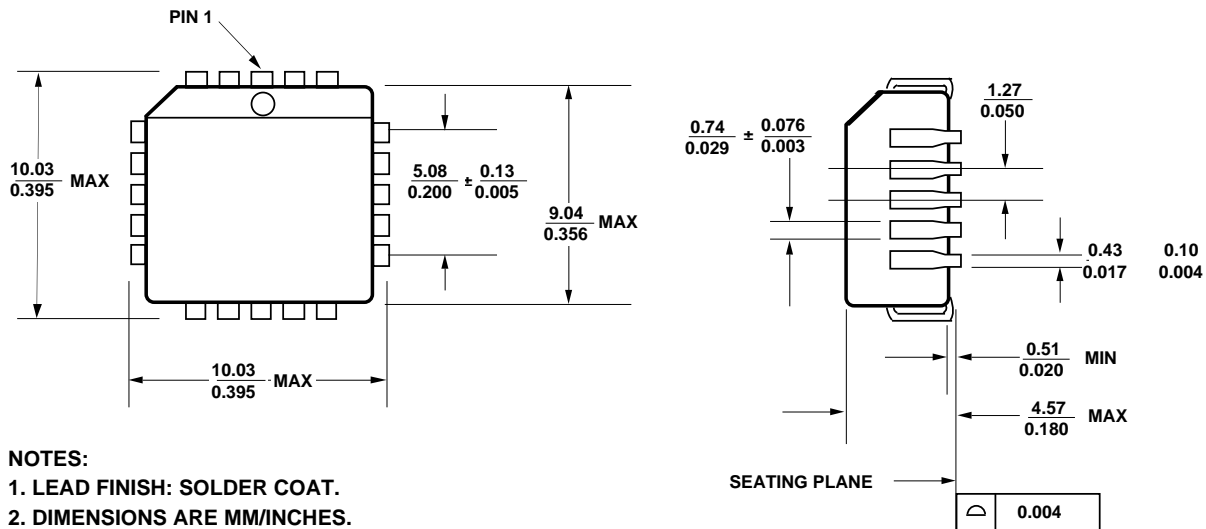
HCTL-2016 #PLC



HCTL-2020 #PLC

ESD WARNING: NORMAL HANDLING PRECAUTIONS SHOULD BE TAKEN TO AVOID STATIC DISCHARGE.

Package Dimensions



NOTES:

1. LEAD FINISH: SOLDER COAT.
2. DIMENSIONS ARE MM/INCHES.

20 PIN PLASTIC LEADED CHIP CARRIER PACKAGE

Devices

| Part No. | Description |
|----------------|---|
| HCTL-2016 #PLC | 16-bit counter; 14 MHz clock operation; 20 pin PLCC surface mount package. |
| HCTL-2020 #PLC | All features of HCTL-2016 #PLC plus quadrature decoder output signals and cascade output signals. |

www.agilent.com/semiconductors

For product information and a complete list of distributors, please go to our web site.

For technical assistance call:

Americas/Canada: +1 (800) 235-0312 or (408) 654-8675

Europe: +49 (0) 6441 92460

China: 10800 650 0017

Hong Kong: (+65) 271 2451

India, Australia, New Zealand: (+65) 271 2394

Japan: (+81 3) 3335-8152(Domestic/International), or 0120-61-1280(Domestic Only)

Korea: (+65) 271 2194

Malaysia, Singapore: (+65) 271 2054

Taiwan: (+65) 271 2654

Data subject to change.

Copyright © 2002 Agilent Technologies, Inc.

Obsoletes 5965-5895E

March 11, 2002

5988-5894EN