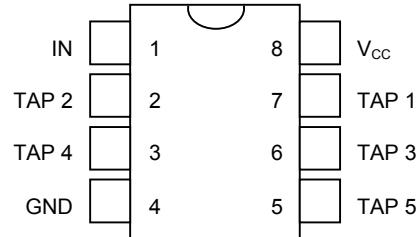


### FEATURES

- All-Silicon Timing Circuit
- Five Taps Equally Spaced
- 5V Operation
- Delays are Stable and Precise
- Both Leading- and Trailing-Edge Accuracy
- Improved Replacement for DS1000
- Low-Power CMOS
- TTL/CMOS-Compatible
- Vapor-Phase, IR, and Wave Solderable
- Custom Delays Available
- Fast-Turn Prototypes
- Delays Specified Over Both Commercial and Industrial Temperature Ranges

### PIN ASSIGNMENT



DS1100M DIP (300mil)  
DS1100Z SO (150mil)  
DS1100U μSOP

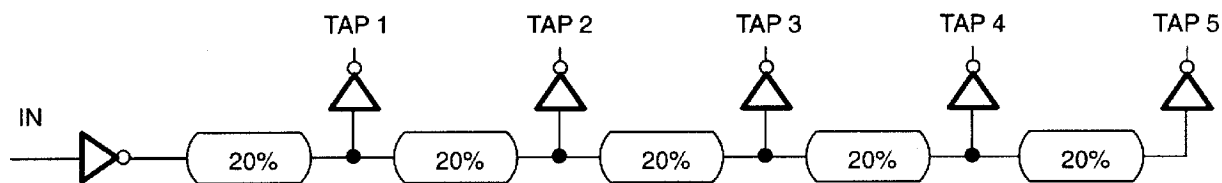
### PIN DESCRIPTION

- |                 |                     |
|-----------------|---------------------|
| TAP 1 to TAP 5  | - TAP Output Number |
| V <sub>CC</sub> | - +5V               |
| GND             | - Ground            |
| IN              | - Input             |

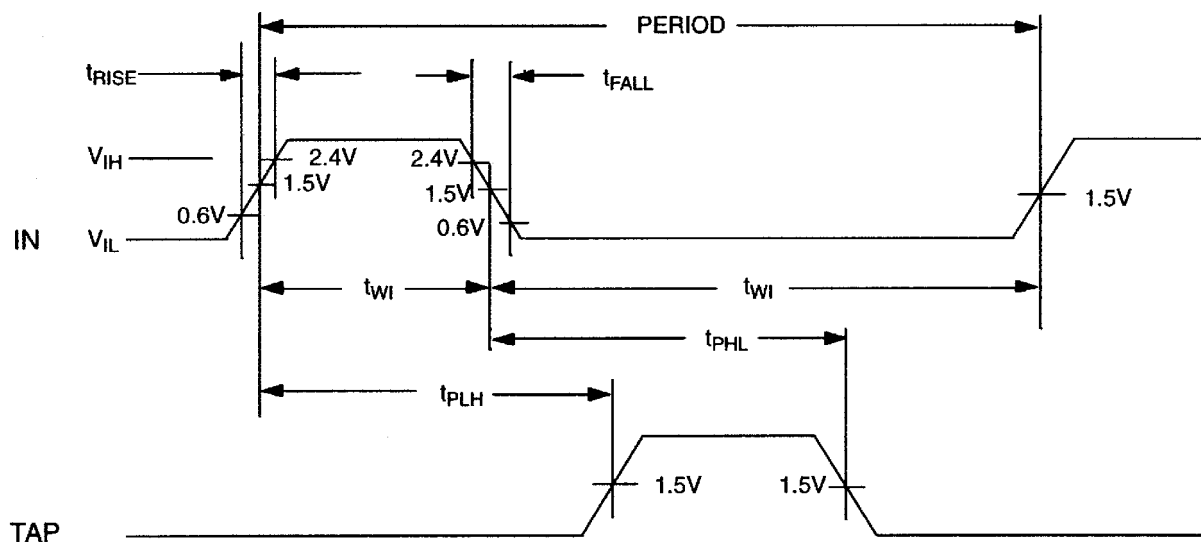
### DESCRIPTION

The DS1100 series delay lines have five equally spaced taps providing delays from 4ns to 500ns. These devices are offered in 8-pin DIPs and surface-mount packages to save PC board area. Low cost and superior reliability over hybrid technology is achieved by the combination of a 100% silicon delay line and industry-standard DIP and SO packaging. The DS1100 5-tap silicon delay line reproduces the input-logic state at the output after a fixed delay as specified by the extension of the part number after the dash. The DS1100 is designed to reproduce both leading and trailing edges with equal precision. Each tap is capable of driving up to ten 74LS loads.

Dallas Semiconductor can customize standard products to meet special needs.

**Figure 1. LOGIC DIAGRAM****Table 1. DS1100 PART NUMBER DELAY TABLE (All Values in ns)**

| PART<br>DS1100-XXX | NOMINAL DELAYS |       |       |       |       |
|--------------------|----------------|-------|-------|-------|-------|
|                    | TAP 1          | TAP 2 | TAP 3 | TAP 4 | TAP 5 |
| -20                | 4              | 8     | 12    | 16    | 20    |
| -25                | 5              | 10    | 15    | 20    | 25    |
| -30                | 6              | 12    | 18    | 24    | 30    |
| -35                | 7              | 14    | 21    | 28    | 35    |
| -40                | 8              | 16    | 24    | 32    | 40    |
| -45                | 9              | 18    | 27    | 36    | 45    |
| -50                | 10             | 20    | 30    | 40    | 50    |
| -60                | 12             | 24    | 36    | 48    | 60    |
| -75                | 15             | 30    | 45    | 60    | 75    |
| -100               | 20             | 40    | 60    | 80    | 100   |
| -125               | 25             | 50    | 75    | 100   | 125   |
| -150               | 30             | 60    | 90    | 120   | 150   |
| -175               | 35             | 70    | 105   | 140   | 175   |
| -200               | 40             | 80    | 120   | 160   | 200   |
| -250               | 50             | 100   | 150   | 200   | 250   |
| -300               | 60             | 120   | 180   | 240   | 300   |
| -500               | 100            | 200   | 300   | 400   | 500   |

**Figure 2. TIMING DIAGRAM: SILICON DELAY LINE**

**ABSOLUTE MAXIMUM RATINGS\***

|                                       |  |
|---------------------------------------|--|
| Voltage on Any Pin Relative to Ground | -0.5V to +6.0V                         |
| Operating Temperature Range           | -40°C to +85°C                         |
| Storage Temperature Range             | -55°C to +125°C                        |
| Soldering Temperature                 | See IPC/JEDEC J-STD-020A Specification |
| Short-Circuit Output Current          | 50mA for 1s                            |

*\*This is a stress rating only and functional operation of the device at these or any other conditions above those indicated in the operation sections of this specification is not implied. Exposure to absolute maximum rating conditions for extended periods of time may affect reliability.*

**DC ELECTRICAL CHARACTERISTICS** ( $V_{CC} = 5.0V \pm 5\%$ ,  $T_A = -40^\circ C$  to  $+85^\circ C$ .)

| PARAMETER                 | SYM      | TEST CONDITION                                   | MIN  | TYP  | MAX            | UNITS   | NOTES |
|---------------------------|----------|--|------|------|----------------|---------|-------|
| Supply Voltage            | $V_{CC}$ |  | 4.75 | 5.00 | 5.25           | V       | 5     |
| High-Level Input Voltage  | $V_{IH}$ |  | 2.2  |      | $V_{CC} + 0.3$ | V       | 5     |
| Low-Level Input Voltage   | $V_{IL}$ |  | -0.3 |      | 0.8            | V       | 5     |
| Input-Leakage Current     | $I_I$    | $0.0V \leq V_I \leq V_{CC}$                      | -1.0 |      | 1.0            | $\mu A$ |       |
| Active Current            | $I_{CC}$ | $V_{CC} = \text{Max}; \text{Freq} = 1\text{MHz}$ |      | 30   | 50             | mA      | 6, 8  |
| High-Level Output Current | $I_{OH}$ | $V_{CC} = \text{Min}; V_{OH} = 4$                |      |      | -1             | mA      |       |
| Low-Level Output Current  | $I_{OL}$ | $V_{CC} = \text{Min}; V_{OL} = 0.5$              | 12   |      |                | mA      |       |

**AC ELECTRICAL CHARACTERISTICS** ( $V_{CC} = 5.0V \pm 5\%$ ,  $T_A = -40^\circ C$  to  $+85^\circ C$ .)

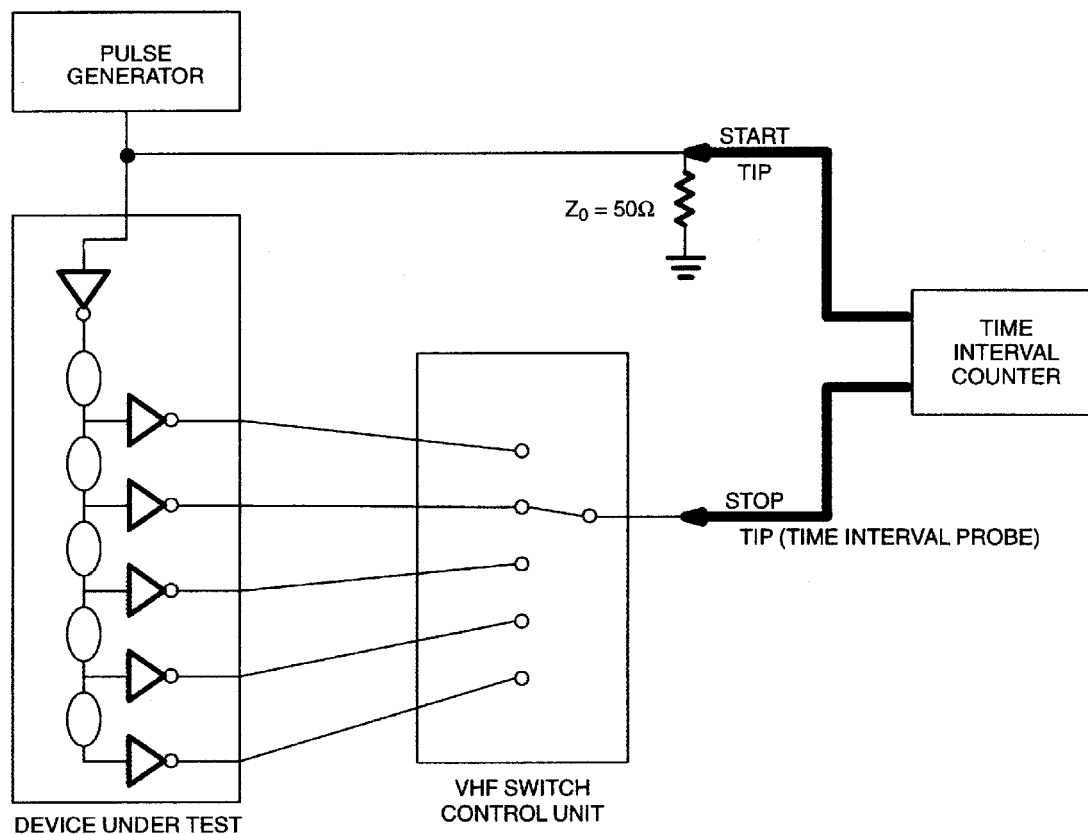
| PARAMETER   | SYM                | TEST CONDITION | MIN                    | TYP     | MAX | UNITS   | NOTES         |
|---|--------------------|----------------|------------------------|---------|-----|---------|---------------|
| Input Pulse Width   | $t_{WI}$           |                | 20% of Tap 5 $t_{PLH}$ |         |     | ns      | 9             |
| Input-to-Tap Delay Tolerance (Delays $\leq 40\text{ns}$ ) | $t_{PLH}, t_{PHL}$ | +25°C 5V       | -2                     | Table 1 | +2  | ns      | 1, 3, 4, 7    |
|   |                    | 0°C to +70°C   | -3                     | Table 1 | +3  | ns      | 1, 2, 3, 4, 7 |
|   |                    | -40°C to +85°C | -4                     | Table 1 | +4  | ns      | 1, 2, 3, 4, 7 |
| Input-to-Tap Delay Tolerance (Delays $> 40\text{ns}$ )    | $t_{PLH}, t_{PHL}$ | +25°C 5V       | -5                     | Table 1 | +5  | %       | 1, 3, 4, 7    |
|   |                    | 0°C to +70°C   | -8                     | Table 1 | +8  | %       | 1, 2, 3, 4, 7 |
|   |                    | -40°C to +85°C | -13                    | Table 1 | +13 | %       | 1, 2, 3, 4, 7 |
| Power-Up Time   | $t_{PU}$           |                |                        |         | 200 | $\mu s$ |               |
| Input Period  | Period             |                | $2(t_{WI})$            |         |     | ns      | 9             |

**CAPACITANCE** $(T_A = +25^\circ C)$ 

| PARAMETER         | SYMBOL   | MIN | TYP | MAX | UNITS | NOTES |
|-------------------|----------|-----|-----|-----|-------|-------|
| Input Capacitance | $C_{IN}$ |     | 5   | 10  | pF    |       |

**NOTES:**

- 1) Initial tolerances are  $\pm$  with respect to the nominal value at +25°C and 5V for both leading and trailing edge.
- 2) Temperature and voltage tolerance is with respect to the nominal delay value over the stated temperature range, and a supply-voltage range of 4.75V to 5.25V.
- 3) All tap delays tend to vary unidirectionally with temperature or voltage changes. For example, if TAP1 slows down, all other taps also slow down; TAP3 can never be faster than TAP2.
- 4) Intermediate delay values are available on a custom basis. For further information, call (972) 371-4348.
- 5) All voltages are referenced to ground.
- 6) Measured with outputs open.
- 7) See *Test Conditions* section at the end of this data sheet.
- 8) Frequencies higher than 1MHz result in higher  $I_{CC}$  values.
- 9) At or near maximum frequency the delay accuracy can vary and will be application sensitive (i.e., decoupling, layout).

**Figure 3. TEST CIRCUIT**

## TERMINOLOGY

**Period:** The time elapsed between the leading edge of the first pulse and the leading edge of the following pulse.

**$t_{WI}$  (Pulse Width):** The elapsed time on the pulse between the 1.5V point on the leading edge and the 1.5V point on the trailing edge, or the 1.5V point on the trailing edge and the 1.5V point on the leading edge.

**$t_{RISE}$  (Input Rise Time):** The elapsed time between the 20% and the 80% point on the leading edge of the input pulse.

**$t_{FALL}$  (Input Fall Time):** The elapsed time between the 80% and the 20% point on the trailing edge of the input pulse.

**$t_{PLH}$  (Time Delay, Rising):** The elapsed time between the 1.5V point on the leading edge of the input pulse and the 1.5V point on the leading edge of any tap output pulse.

**$t_{PHL}$  (Time Delay, Falling):** The elapsed time between the 1.5V point on the trailing edge of the input pulse and the 1.5V point on the trailing edge of any tap output pulse.

## TEST SETUP DESCRIPTION

Figure 3 illustrates the hardware configuration used for measuring the timing parameters on the DS1100. The input waveform is produced by a precision-pulse generator under software control. Time delays are measured by a time interval counter (20ps resolution) connected between the input and each tap. Each tap is selected and connected to the counter by a VHF switch control unit. All measurements are fully automated, with each instrument controlled by a central computer over an IEEE 488 bus.

## TEST CONDITIONS INPUT :

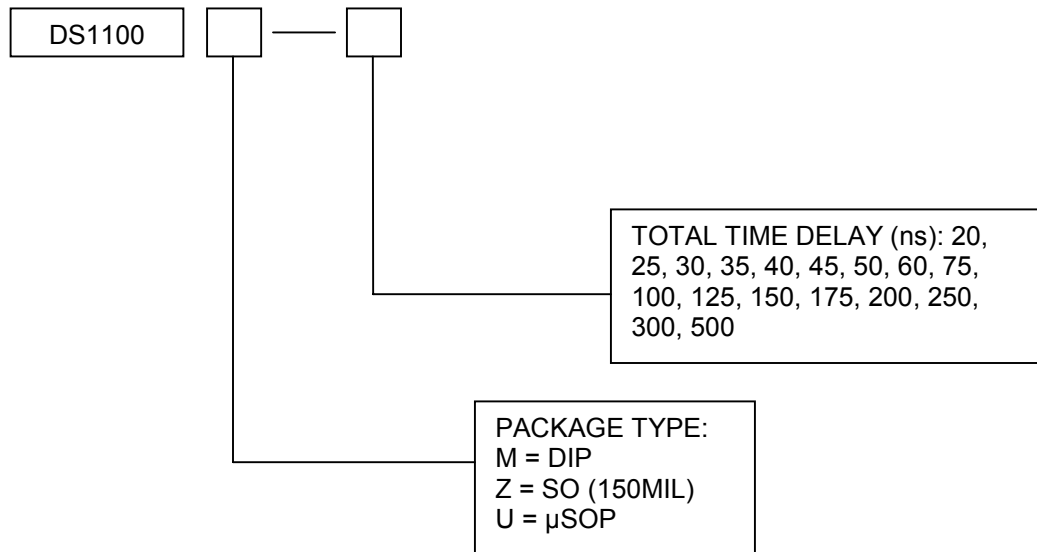
|                              |  |
|------------------------------|--|
| Ambient Temperature:         | +25°C ±3°C                                 |
| Supply Voltage ( $V_{CC}$ ): | 5.0V ±0.1V                                 |
| Input Pulse:                 | High = 3.0V ±0.1V<br>Low = 0.0V ±0.1V      |
| Source Impedance:            | 50Ω max                                    |
| Rise and Fall Time:          | 3.0ns max (measured between 0.6V and 2.4V) |
| Pulse Width:                 | 500ns (1μs for -500 version)               |
| Period:                      | 1μs (2μs for -500 version)                 |

## OUTPUT:

Each output is loaded with the equivalent of one 74F04 input gate. Delay is measured at the 1.5V level on the rising and falling edge.

## NOTE:

Above conditions are for test only and do not restrict the operation of the device under other data sheet conditions.

**ORDERING INFORMATION**

*EXAMPLE: The DS1100Z-250 is a 250ns delay (input-to-tap 5) DS1100 in the SO package.*