



MOTOROLA

Order this document by ULN2803/D

Octal High Voltage, High Current Darlington Transistor Arrays

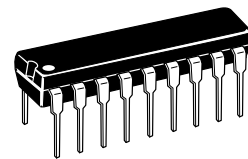
The eight NPN Darlington connected transistors in this family of arrays are ideally suited for interfacing between low logic level digital circuitry (such as TTL, CMOS or PMOS/NMOS) and the higher current/voltage requirements of lamps, relays, printer hammers or other similar loads for a broad range of computer, industrial, and consumer applications. All devices feature open-collector outputs and free wheeling clamp diodes for transient suppression.

The ULN2803 is designed to be compatible with standard TTL families while the ULN2804 is optimized for 6 to 15 volt high level CMOS or PMOS.

ULN2803 ULN2804

OCTAL PERIPHERAL DRIVER ARRAYS

SEMICONDUCTOR TECHNICAL DATA



A SUFFIX
PLASTIC PACKAGE
CASE 707

MAXIMUM RATINGS ($T_A = 25^\circ\text{C}$ and rating apply to any one device in the package, unless otherwise noted.)

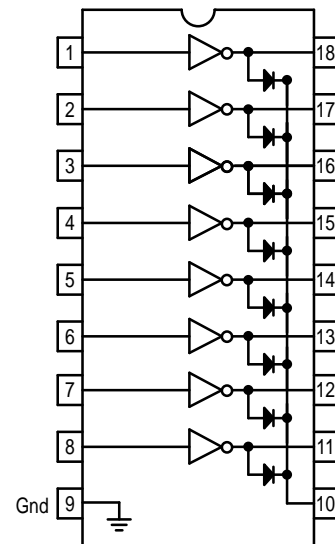
Rating	Symbol	Value	Unit
Output Voltage	V_O	50	V
Input Voltage (Except ULN2801)	V_I	30	V
Collector Current – Continuous	I_C	500	mA
Base Current – Continuous	I_B	25	mA
Operating Ambient Temperature Range	T_A	0 to +70	$^\circ\text{C}$
Storage Temperature Range	T_{stg}	-55 to +150	$^\circ\text{C}$
Junction Temperature	T_J	125	$^\circ\text{C}$

$R_{\theta JA} = 55^\circ\text{C/W}$
Do not exceed maximum current limit per driver.

ORDERING INFORMATION

Device	Characteristics		
	Input Compatibility	$V_{CE}(\text{Max})/I_C(\text{Max})$	Operating Temperature Range
ULN2803A ULN2804A	TTL, 5.0 V CMOS 6 to 15 V CMOS, PMOS	50 V/500 mA	$T_A = 0$ to $+70^\circ\text{C}$

PIN CONNECTIONS



ULN2803 ULN2804

ELECTRICAL CHARACTERISTICS ($T_A = 25^\circ\text{C}$, unless otherwise noted)

Characteristic		Symbol	Min	Typ	Max	Unit
Output Leakage Current (Figure 1) ($V_O = 50\text{ V}$, $T_A = +70^\circ\text{C}$) ($V_O = 50\text{ V}$, $T_A = +25^\circ\text{C}$) ($V_O = 50\text{ V}$, $T_A = +70^\circ\text{C}$, $V_I = 6.0\text{ V}$) ($V_O = 50\text{ V}$, $T_A = +70^\circ\text{C}$, $V_I = 1.0\text{ V}$)	All Types All Types ULN2802 ULN2804	I_{CEX}	– – – –	– – – –	100 50 500 500	μA
Collector–Emitter Saturation Voltage (Figure 2) ($I_C = 350\text{ mA}$, $I_B = 500\text{ }\mu\text{A}$) ($I_C = 200\text{ mA}$, $I_B = 350\text{ }\mu\text{A}$) ($I_C = 100\text{ mA}$, $I_B = 250\text{ }\mu\text{A}$)	All Types All Types All Types	$V_{CE(sat)}$	– – –	1.1 0.95 0.85	1.6 1.3 1.1	V
Input Current – On Condition (Figure 4) ($V_I = 17\text{ V}$) ($V_I = 3.85\text{ V}$) ($V_I = 5.0\text{ V}$) ($V_I = 12\text{ V}$)	ULN2802 ULN2803 ULN2804 ULN2804	$I_{I(on)}$	– – – –	0.82 0.93 0.35 1.0	1.25 1.35 0.5 1.45	mA
Input Voltage – On Condition (Figure 5) ($V_{CE} = 2.0\text{ V}$, $I_C = 300\text{ mA}$) ($V_{CE} = 2.0\text{ V}$, $I_C = 200\text{ mA}$) ($V_{CE} = 2.0\text{ V}$, $I_C = 250\text{ mA}$) ($V_{CE} = 2.0\text{ V}$, $I_C = 300\text{ mA}$) ($V_{CE} = 2.0\text{ V}$, $I_C = 125\text{ mA}$) ($V_{CE} = 2.0\text{ V}$, $I_C = 200\text{ mA}$) ($V_{CE} = 2.0\text{ V}$, $I_C = 275\text{ mA}$) ($V_{CE} = 2.0\text{ V}$, $I_C = 350\text{ mA}$)	ULN2802 ULN2803 ULN2803 ULN2803 ULN2804 ULN2804 ULN2804 ULN2804	$V_{I(on)}$	– – – – – – – –	– – – – – – – –	13 2.4 2.7 3.0 5.0 6.0 7.0 8.0	V
Input Current – Off Condition (Figure 3) ($I_C = 500\text{ }\mu\text{A}$, $T_A = +70^\circ\text{C}$)	All Types	$I_{I(off)}$	50	100	–	μA
DC Current Gain (Figure 2) ($V_{CE} = 2.0\text{ V}$, $I_C = 350\text{ mA}$)	ULN2801	h_{FE}	1000	–	–	–
Input Capacitance		C_I	–	15	25	pF
Turn–On Delay Time (50% E_I to 50% E_O)		t_{on}	–	0.25	1.0	μs
Turn–Off Delay Time (50% E_I to 50% E_O)		t_{off}	–	0.25	1.0	μs
Clamp Diode Leakage Current (Figure 6) ($V_R = 50\text{ V}$)	$T_A = +25^\circ\text{C}$ $T_A = +70^\circ\text{C}$	I_R	–	–	50 100	μA
Clamp Diode Forward Voltage (Figure 7) ($I_F = 350\text{ mA}$)		V_F	–	1.5	2.0	V

ULN2803 ULN2804

TEST FIGURES

(See Figure Numbers in Electrical Characteristics Table)

Figure 1.

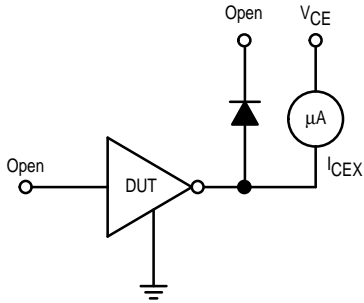


Figure 2.

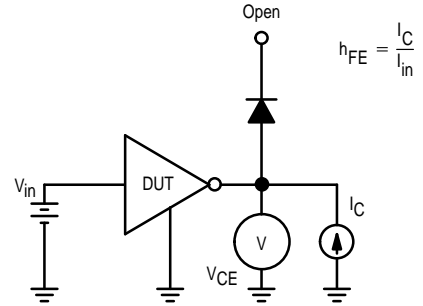


Figure 3.

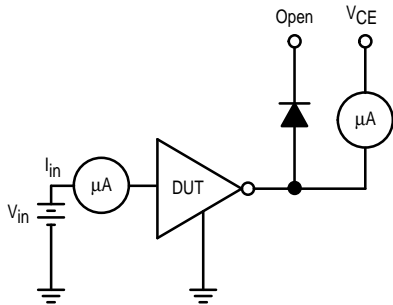


Figure 4.

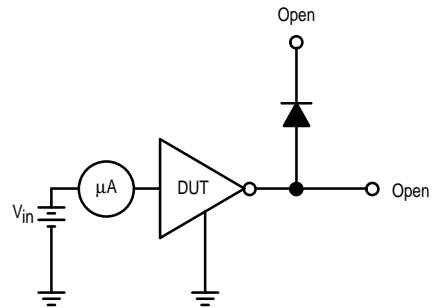


Figure 5.

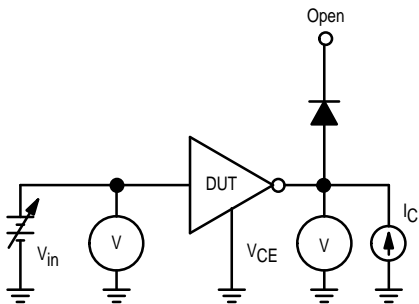


Figure 6.

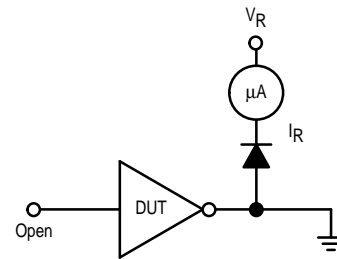
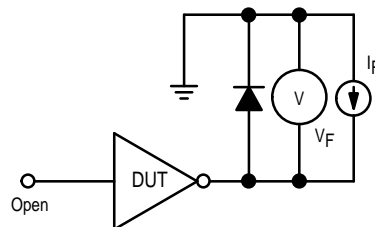


Figure 7.



ULN2803 ULN2804

TYPICAL CHARACTERISTIC CURVES – $T_A = 25^\circ\text{C}$, unless otherwise noted
Output Characteristics

Figure 8. Output Current versus Saturation Voltage

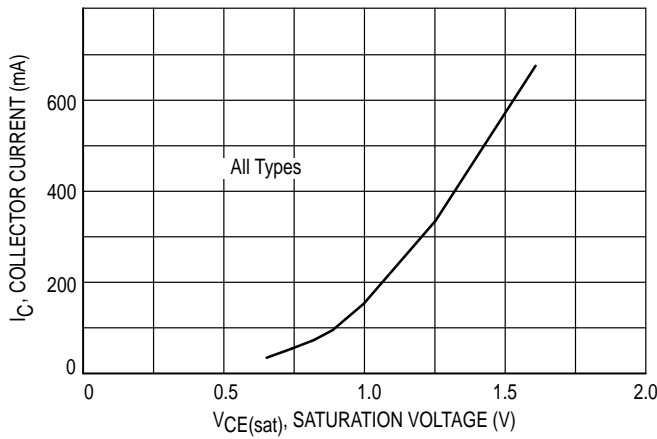
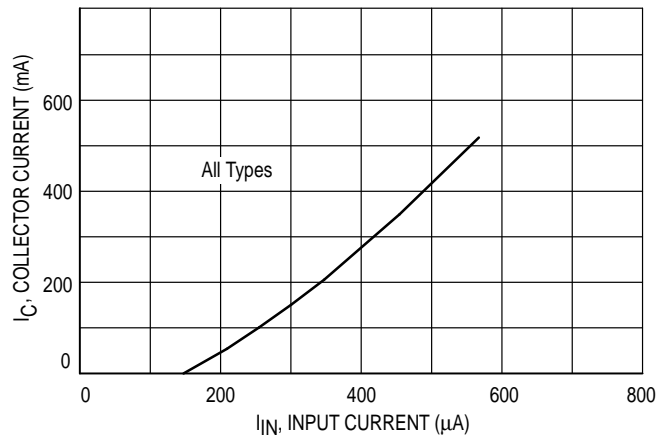


Figure 9. Output Current versus Input Current



Input Characteristics

Figure 10. ULN2803 Input Current versus Input Voltage

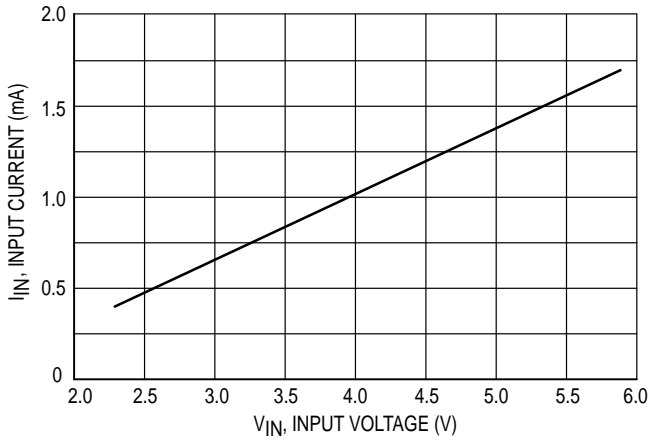


Figure 11. ULN2804 Input Current versus Input Voltage

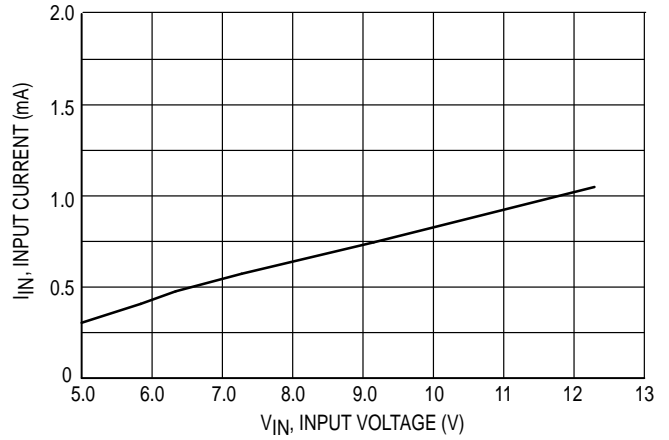
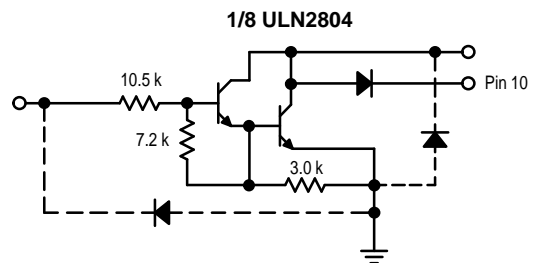
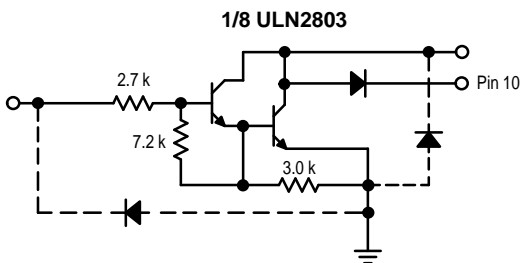


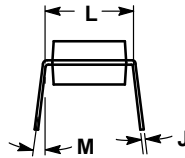
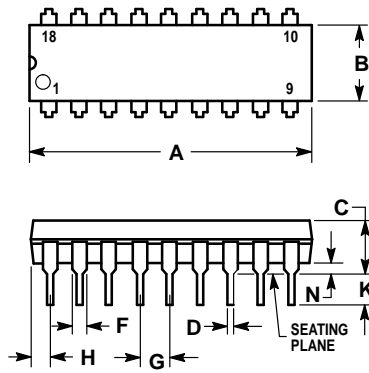
Figure 12. Representative Schematic Diagrams



ULN2803 ULN2804

OUTLINE DIMENSIONS

A SUFFIX
 PLASTIC PACKAGE
 CASE 707-02
 ISSUE C



NOTES:

1. POSITIONAL TOLERANCE OF LEADS (D), SHALL BE WITHIN 0.25 (0.010) AT MAXIMUM MATERIAL CONDITION, IN RELATION TO SEATING PLANE AND EACH OTHER.
2. DIMENSION L TO CENTER OF LEADS WHEN FORMED PARALLEL.
3. DIMENSION B DOES NOT INCLUDE MOLD FLASH.

DIM	MILLIMETERS		INCHES	
	MIN	MAX	MIN	MAX
A	22.22	23.24	0.875	0.915
B	6.10	6.60	0.240	0.260
C	3.56	4.57	0.140	0.180
D	0.36	0.56	0.014	0.022
F	1.27	1.78	0.050	0.070
G	2.54 BSC		0.100 BSC	
H	1.02	1.52	0.040	0.060
J	0.20	0.30	0.008	0.012
K	2.92	3.43	0.115	0.135
L	7.62 BSC		0.300 BSC	
M	0°	15°	0°	15°
N	0.51	1.02	0.020	0.040

ULN2803 ULN2804

Motorola reserves the right to make changes without further notice to any products herein. Motorola makes no warranty, representation or guarantee regarding the suitability of its products for any particular purpose, nor does Motorola assume any liability arising out of the application or use of any product or circuit, and specifically disclaims any and all liability, including without limitation consequential or incidental damages. "Typical" parameters which may be provided in Motorola data sheets and/or specifications can and do vary in different applications and actual performance may vary over time. All operating parameters, including "Typicals" must be validated for each customer application by customer's technical experts. Motorola does not convey any license under its patent rights nor the rights of others. Motorola products are not designed, intended, or authorized for use as components in systems intended for surgical implant into the body, or other applications intended to support or sustain life, or for any other application in which the failure of the Motorola product could create a situation where personal injury or death may occur. Should Buyer purchase or use Motorola products for any such unintended or unauthorized application, Buyer shall indemnify and hold Motorola and its officers, employees, subsidiaries, affiliates, and distributors harmless against all claims, costs, damages, and expenses, and reasonable attorney fees arising out of, directly or indirectly, any claim of personal injury or death associated with such unintended or unauthorized use, even if such claim alleges that Motorola was negligent regarding the design or manufacture of the part. Motorola and  are registered trademarks of Motorola, Inc. Motorola, Inc. is an Equal Opportunity/Affirmative Action Employer.

How to reach us:

USA/EUROPE/Locations Not Listed: Motorola Literature Distribution;
P.O. Box 20912; Phoenix, Arizona 85036. 1-800-441-2447 or 602-303-5454

JAPAN: Nippon Motorola Ltd.; Tatsumi-SPD-JLDC, 6F Seibu-Butsuryu-Center,
3-14-2 Tatsumi Koto-Ku, Tokyo 135, Japan. 03-81-3521-8315

MFAX: RMFAX0@email.sps.mot.com - TOUCHTONE 602-244-6609
INTERNET: <http://Design-NET.com>

ASIA/PACIFIC: Motorola Semiconductors H.K. Ltd.; 8B Tai Ping Industrial Park,
51 Ting Kok Road, Tai Po, N.T., Hong Kong. 852-26629298



ULN2803/D

