

SCHOTTKY BARRIER DUAL DIODE

DESCRIPTION:

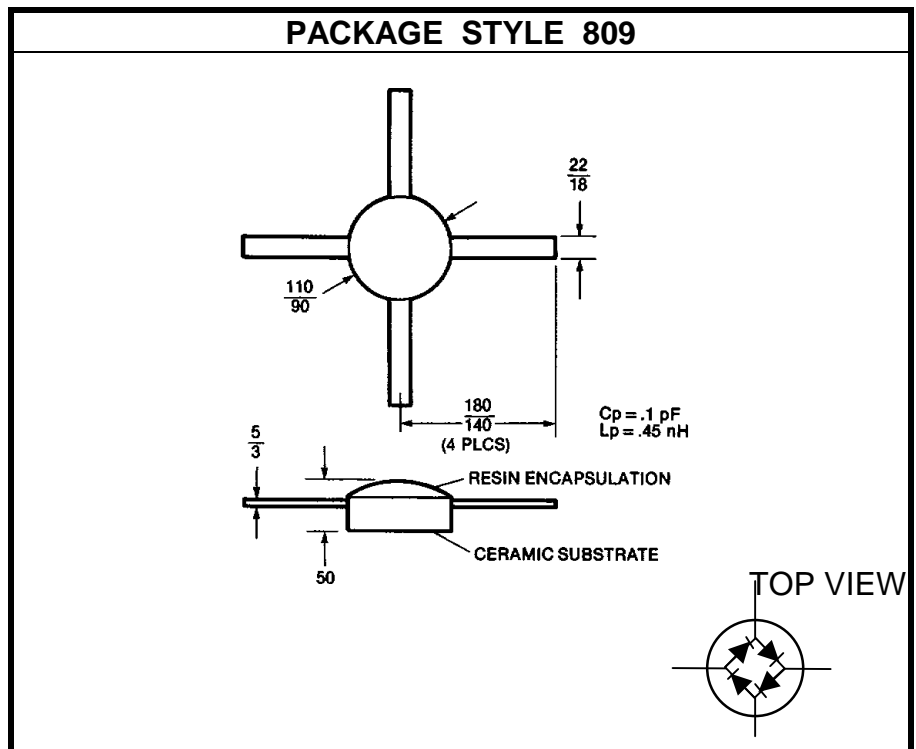
The **ASI 5082-2830** is a medium Barrier Schottky Dual Diode Designed for Single Balanced Mixer, Phase Detector and Modulator Applications up to 2.0 GHz.

FEATURES INCLUDE:

- Medium Barrier
- Excellent Matching
- Rugged design

MAXIMUM RATINGS

I_F	100 mA
P_{DISS}	75 mW @ T _C = 25 °C per Junction
T_J	-65 °C to +175 °C
T_{STG}	-65 °C to +175 °C
T_{SOLDER}	+220 °C for 10 seconds


CHARACTERISTICS T_C = 25 °C

SYMBOL	TEST CONDITIONS		MINIMUM	TYPICAL	MAXIMUM	UNITS
V _F	I _F = 1 mA				400	mV
ΔV _F	I _R = 5.0 mA		2		20	mV
C _T	V _R = 0 V	Diagonal Adjacent		0.50 0.67		pF
ΔC _T	V _R = 0				0.20	pF
R _D	I _F = 5.0 mA				12	Ω