

# Peak Reducing EMI Solution

## Features

- Cypress PREMIS™ family offering
- Generates an EMI optimized clocking signal at the output
- Selectable output frequency range
- Single 1.25% or 3.75% down or center spread output
- Integrated loop filter components
- Operates with a 3.3V or 5V supply
- Low power CMOS design
- Available in 8-pin SOIC (Small Outline Integrated Circuit)

## Key Specifications

Supply Voltages:..... $V_{DD} = 3.3V \pm 5\%$   
or  $V_{DD} = 5V \pm 10\%$

Frequency Range:.....  $8 \text{ MHz} \leq F_{in} \leq 28 \text{ MHz}$

Cycle to Cycle Jitter: ..... 300 ps (max.)

Selectable Spread Percentage:..... 1.25% or 3.75%

Output Duty Cycle: ..... 40/60% (worst case)

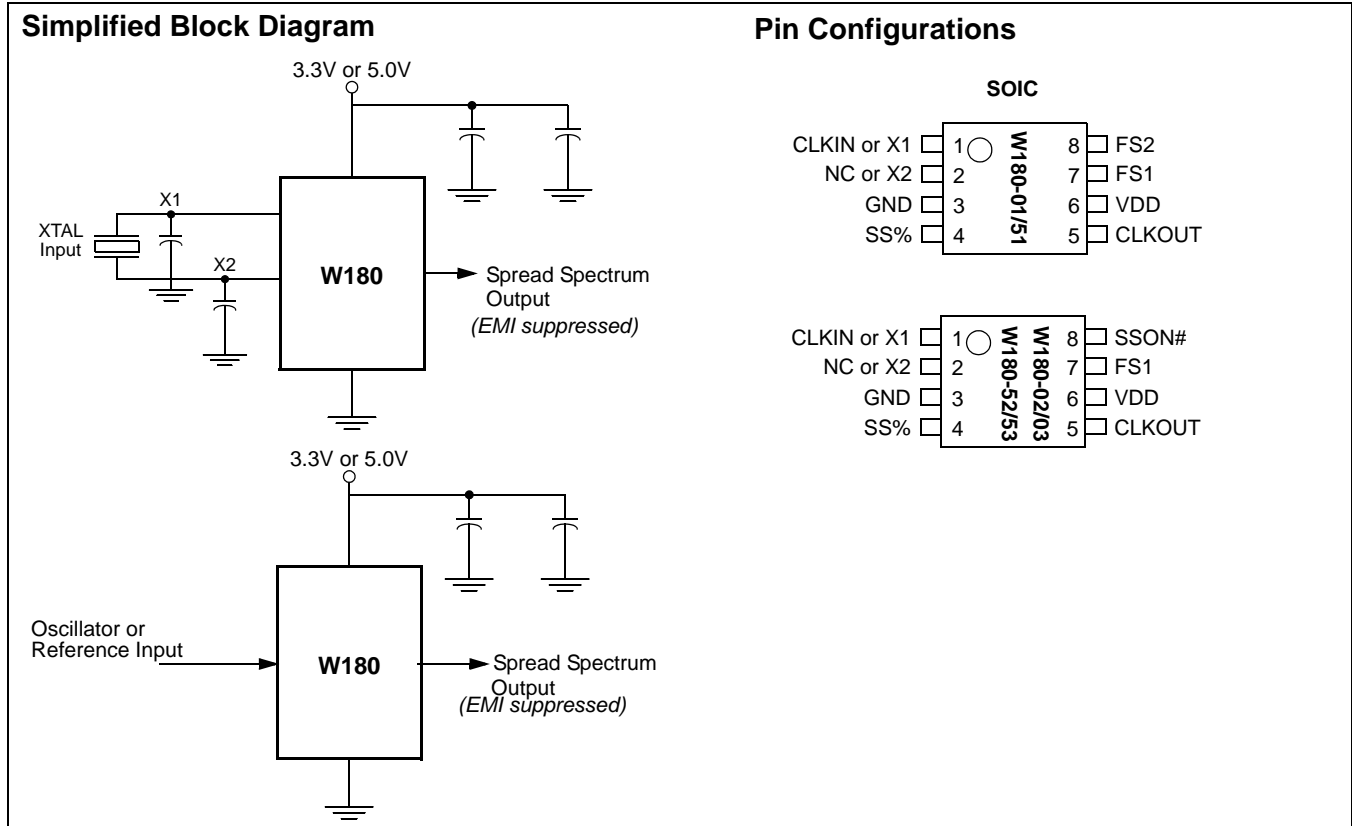
Output Rise and Fall Time:..... 5 ns (max.)

**Table 1. Modulation Width Selection**

SS%	W180-01, 02, 03 Output	W180-51, 52, 53 Output
0	$F_{in} \geq F_{out} \geq F_{in} - 1.25\%$	$F_{in} + 0.625\% \geq F_{in} \geq -0.625\%$
1	$F_{in} \geq F_{out} \geq F_{in} - 3.75\%$	$F_{in} + 1.875\% \geq F_{in} \geq -1.875\%$

**Table 2. Frequency Range Selection**

FS2	FS1	W180 Option#		
		-01, 51 (MHz)	-02, 52 (MHz)	-03, 53 (MHz)
0	0	$8 \leq F_{IN} \leq 10$	$8 \leq F_{IN} \leq 10$	N/A
0	1	$10 \leq F_{IN} \leq 15$	$10 \leq F_{IN} \leq 15$	N/A
1	0	$15 \leq F_{IN} \leq 18$	N/A	$15 \leq F_{IN} \leq 18$
1	1	$18 \leq F_{IN} \leq 28$	N/A	$18 \leq F_{IN} \leq 28$



## Pin Definitions

Pin Name	Pin No.	Pin Type	Pin Description
CLKOUT	5	O	<b>Output Modulated Frequency:</b> Frequency modulated copy of the unmodulated input clock (SSON# asserted).
CLKIN or X1	1	I	<b>Crystal Connection or External Reference Frequency Input:</b> This pin has dual functions. It may either be connected to an external crystal, or to an external reference clock.
NC or X2	2	I	<b>Crystal Connection:</b> Input connection for an external crystal. If using an external reference, this pin must be left unconnected.
SSON#	8 (-02, -03 52, 53)	I	<b>Spread Spectrum Control (Active LOW):</b> Asserting this signal (active LOW) turns the internal modulation waveform on. This pin has an internal pull-down resistor.
FS1:2	7, 8 (-01, 51)	I	<b>Frequency Selection Bit(s) 1 and 2:</b> These pins select the frequency range of operation. Refer to <i>Table 2</i> . These pins have internal pull-up resistors.
SS%	4	I	<b>Modulation Width Selection:</b> When Spread Spectrum feature is turned on, this pin is used to select the amount of variation and peak EMI reduction that is desired on the output signal. Internal pull-up resistor.
VDD	6	P	<b>Power Connection:</b> Connected to 3.3V or 5V power supply.
GND	3	G	<b>Ground Connection:</b> This should be connected to the common ground plane.

## Overview

The W180 products are one series of devices in the Cypress PREMIS family. The PREMIS family incorporates the latest advances in PLL spread spectrum frequency synthesizer techniques. By frequency modulating the output with a low-frequency carrier, peak EMI is greatly reduced. Use of this technology allows systems to pass increasingly difficult EMI testing without resorting to costly shielding or redesign.

In a system, not only is EMI reduced in the various clock lines, but also in all signals which are synchronized to the clock. Therefore, the benefits of using this technology increase with the number of address and data lines in the system. The Simplified Block Diagram on page 1 shows a simple implementation.

## Functional Description

The W180 uses a phase-locked loop (PLL) to frequency modulate an input clock. The result is an output clock whose frequency is slowly swept over a narrow band near the input signal. The basic circuit topology is shown in *Figure 1*. The input reference signal is divided by Q and fed to the phase detector. A signal from the VCO is divided by P and fed back to the phase detector also. The PLL will force the frequency of the VCO output signal to change until the divided output signal and the divided reference signal match at the phase detector

input. The output frequency is then equal to the ratio of P/Q times the reference frequency. (**Note:** For the W180 the output frequency is equal to the input frequency.) The unique feature of the Spread Spectrum Frequency Timing Generator is that a modulating waveform is superimposed at the input to the VCO. This causes the VCO output to be slowly swept across a predetermined frequency band.

Because the modulating frequency is typically 1000 times slower than the fundamental clock, the spread spectrum process has little impact on system performance.

### Frequency Selection With SSFTG

In Spread Spectrum Frequency Timing Generation, EMI reduction depends on the shape, modulation percentage, and frequency of the modulating waveform. While the shape and frequency of the modulating waveform are fixed for a given frequency, the modulation percentage may be varied.

Using frequency select bits (FS2:1 pins), the frequency range can be set (see *Table 2*). Spreading percentage is set with pin SS% as shown in *Table 1*.

A larger spreading percentage improves EMI reduction. However, large spread percentages may either exceed system maximum frequency ratings or lower the average frequency to a point where performance is affected. For these reasons, spreading percentages options are provided.

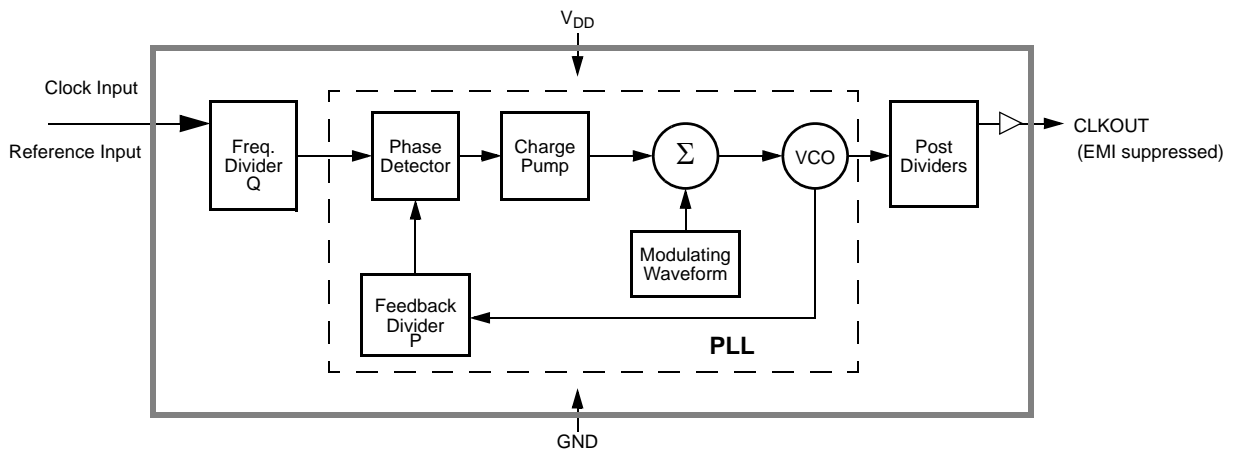


Figure 1. Functional Block Diagram

### Spread Spectrum Frequency Timing Generation

The device generates a clock that is frequency modulated in order to increase the bandwidth that it occupies. By increasing the bandwidth of the fundamental and its harmonics, the amplitudes of the radiated electromagnetic emissions are reduced. This effect is depicted in *Figure 2*.

As shown in *Figure 2*, a harmonic of a modulated clock has a much lower amplitude than that of an unmodulated signal. The reduction in amplitude is dependent on the harmonic number and the frequency deviation or spread. The equation for the reduction is:

$$dB = 6.5 + 9 \cdot \log_{10}(P) + 9 \cdot \log_{10}(F)$$

Where *P* is the percentage of deviation and *F* is the frequency in MHz where the reduction is measured.

The output clock is modulated with a waveform depicted in *Figure 3*. This waveform, as discussed in "Spread Spectrum Clock Generation for the Reduction of Radiated Emissions" by Bush, Fessler, and Hardin produces the maximum reduction in the amplitude of radiated electromagnetic emissions. *Figure 3* details the Cypress spreading pattern. Cypress does offer options with more spread and greater EMI reduction. Contact your local Sales representative for details on these devices.

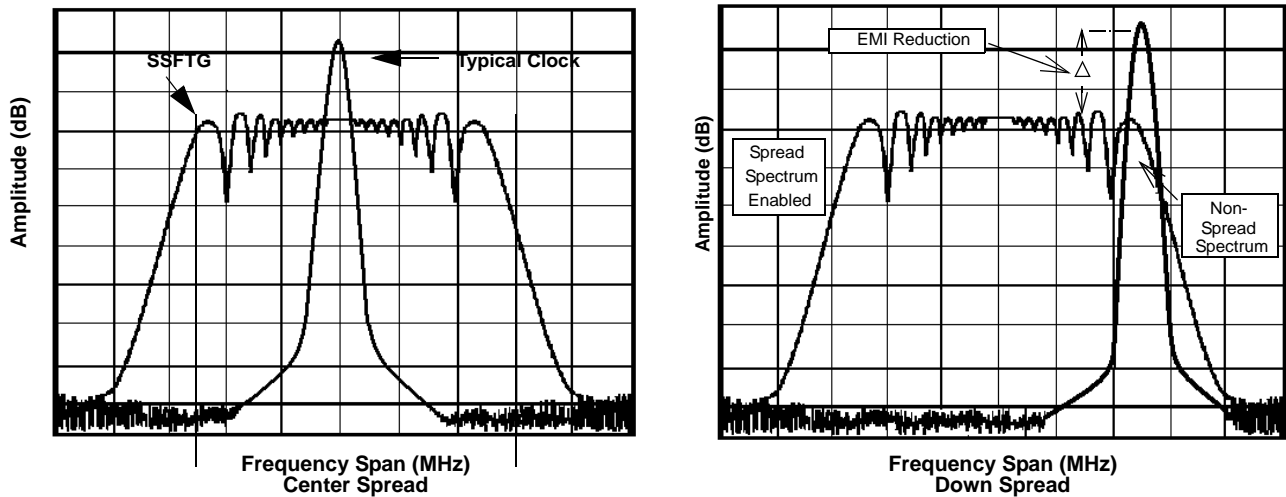


Figure 2. Clock Harmonic with and without SSCG Modulation Frequency Domain Representation

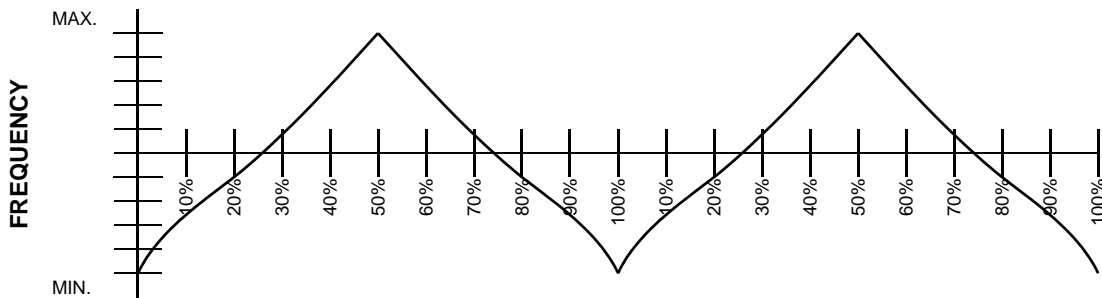


Figure 3. Typical Modulation Profile

**Absolute Maximum Ratings<sup>[1]</sup>**

Stresses greater than those listed in this table may cause permanent damage to the device. These represent a stress rating only. Operation of the device at these or any other condi-

tions above those specified in the operating sections of this specification is not implied. Maximum conditions for extended periods may affect reliability.

Parameter	Description	Rating	Unit
$V_{DD}, V_{IN}$	Voltage on any pin with respect to GND	-0.5 to +7.0	V
$T_{STG}$	Storage Temperature	-65 to +150	°C
$T_A$	Operating Temperature	0 to +70	°C
$T_B$	Ambient Temperature under Bias	-55 to +125	°C
$P_D$	Power Dissipation	0.5	W

**DC Electrical Characteristics: 0°C <  $T_A$  < 70°C,  $V_{DD} = 3.3V \pm 5\%$** 

Parameter	Description	Test Condition	Min.	Typ.	Max.	Unit
$I_{DD}$	Supply Current			18	32	mA
$t_{ON}$	Power Up Time	First locked clock cycle after Power Good			5	ms
$V_{IL}$	Input Low Voltage				0.8	V
$V_{IH}$	Input High Voltage		2.4			V
$V_{OL}$	Output Low Voltage				0.4	V
$V_{OH}$	Output High Voltage		2.4			V
$I_{IL}$	Input Low Current	Note 2	-50			μA
$I_{IH}$	Input High Current	Note 2			50	μA
$I_{OL}$	Output Low Current	@ 0.4V, $V_{DD} = 3.3V$		15		mA
$I_{OH}$	Output High Current	@ 2.4V, $V_{DD} = 3.3V$		15		mA
$C_I$	Input Capacitance				7	pF
$R_P$	Input Pull-Up Resistor			500		kΩ
$Z_{OUT}$	Clock Output Impedance			25		Ω

**Notes:**

- Single Power Supply:** The voltage on any input or I/O pin cannot exceed the power pin during power-up.
- Inputs FS2:1& SS% have a pull-up resistor; Input SSON# has a pull-down resistor.

**DC Electrical Characteristics:**  $0^{\circ}\text{C} < T_A < 70^{\circ}\text{C}$ ,  $V_{DD} = 5\text{V} \pm 10\%$ 

Parameter	Description	Test Condition	Min.	Typ.	Max.	Unit
$I_{DD}$	Supply Current			30	50	mA
$t_{ON}$	Power Up Time	First locked clock cycle after Power Good			5	ms
$V_{IL}$	Input Low Voltage				$0.15V_{DD}$	V
$V_{IH}$	Input High Voltage		$0.7V_{DD}$			V
$V_{OL}$	Output Low Voltage				0.4	V
$V_{OH}$	Output High Voltage		2.4			V
$I_{IL}$	Input Low Current	Note 3	-50			$\mu\text{A}$
$I_{IH}$	Input High Current	Note 3			50	$\mu\text{A}$
$I_{OL}$	Output Low Current	@ 0.4V, $V_{DD} = 5\text{V}$		24		mA
$I_{OH}$	Output High Current	@ 2.4V, $V_{DD} = 5\text{V}$		24		mA
$C_I$	Input Capacitance				7	pF
$R_P$	Input Pull-Up Resistor			500		k $\Omega$
$Z_{OUT}$	Clock Output Impedance			25		$\Omega$

**AC Electrical Characteristics:**  $T_A = 0^{\circ}\text{C}$  to  $+70^{\circ}\text{C}$ ,  $V_{DD} = 3.3\text{V} \pm 5\%$  or  $5\text{V} \pm 10\%$ 

Parameter	Description	Test Condition	Min.	Typ.	Max.	Unit
$f_{IN}$	Input Frequency (-01)	Input Clock, Note 4	8		28	MHz
$f_{OUT}$	Output Frequency (-01)	Spread Off, Note 4	8		28	MHz
$t_R$	Output Rise Time	15-pF load 0.8V–2.4V		2	5	ns
$t_F$	Output Fall Time	15-pF load 2.4 –0.8V		2	5	ns
$t_{OD}$	Output Duty Cycle	15-pF load	40		60	%
$t_{ID}$	Input Duty Cycle		40		60	%
$t_{JCYC}$	Jitter, Cycle-to-Cycle			250	300	ps
	Harmonic Reduction	$f_{out} = 20\text{MHz}$ , third harmonic measured, reference board, 15-pF load	8			dB

**Notes:**

- Inputs FS1:2 have a pull-up resistor; Input SSON# has a pull-down resistor.
- Frequency range listed for -01 version. See *Table 2* for frequency range of -02 and -03 versions.

**Application Information**

**Recommended Circuit Configuration**

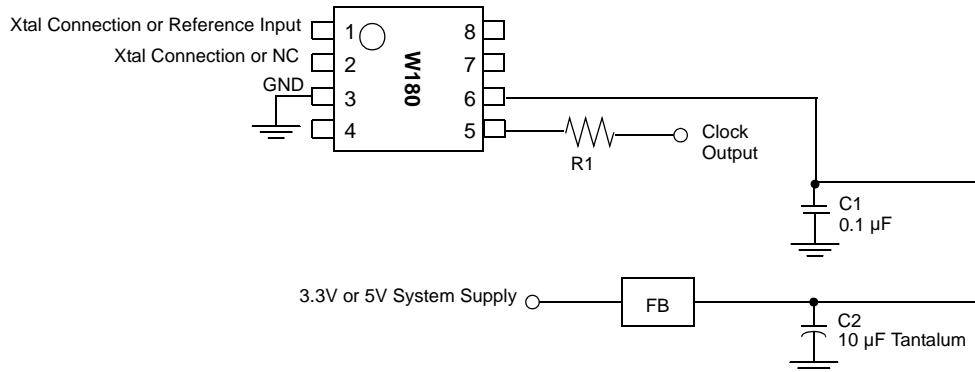
For optimum performance in system applications the power supply decoupling scheme shown in *Figure 4* should be used.

V<sub>DD</sub> decoupling is important to both reduce phase jitter and EMI radiation. The 0.1-μF decoupling capacitor should be placed as close to the V<sub>DD</sub> pin as possible, otherwise the

increased trace inductance will negate its decoupling capability. The 10-μF decoupling capacitor shown should be a tantalum type. For further EMI protection, the V<sub>DD</sub> connection can be made via a ferrite bead, as shown.

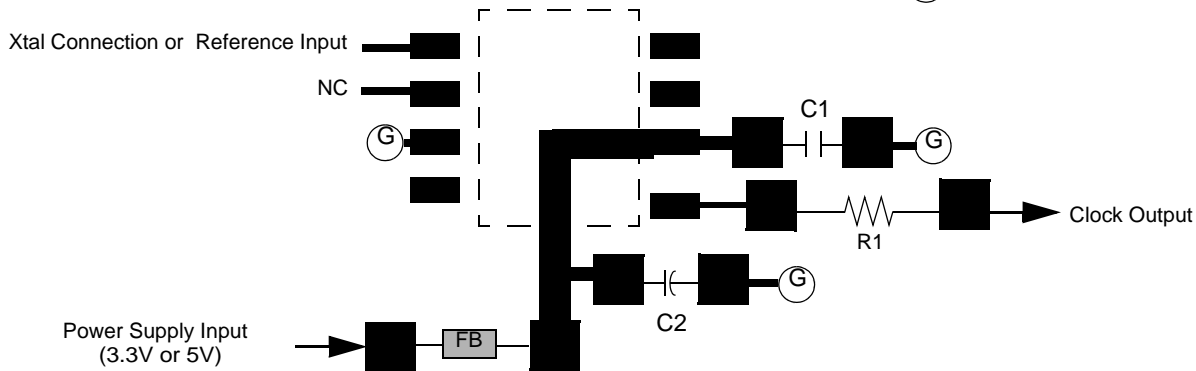
**Recommended Board Layout**

*Figure 5* shows a recommended 2-layer board layout.



**Figure 4. Recommended Circuit Configuration**

- C1 = High frequency supply decoupling capacitor (0.1-μF recommended).
- C2 = Common supply low frequency decoupling capacitor (10-μF tantalum recommended).
- R1 = Match value to line impedance
- FB** = Ferrite Bead
- G** = Via To GND Plane



**Figure 5. Recommended Board Layout (2-Layer Board)**

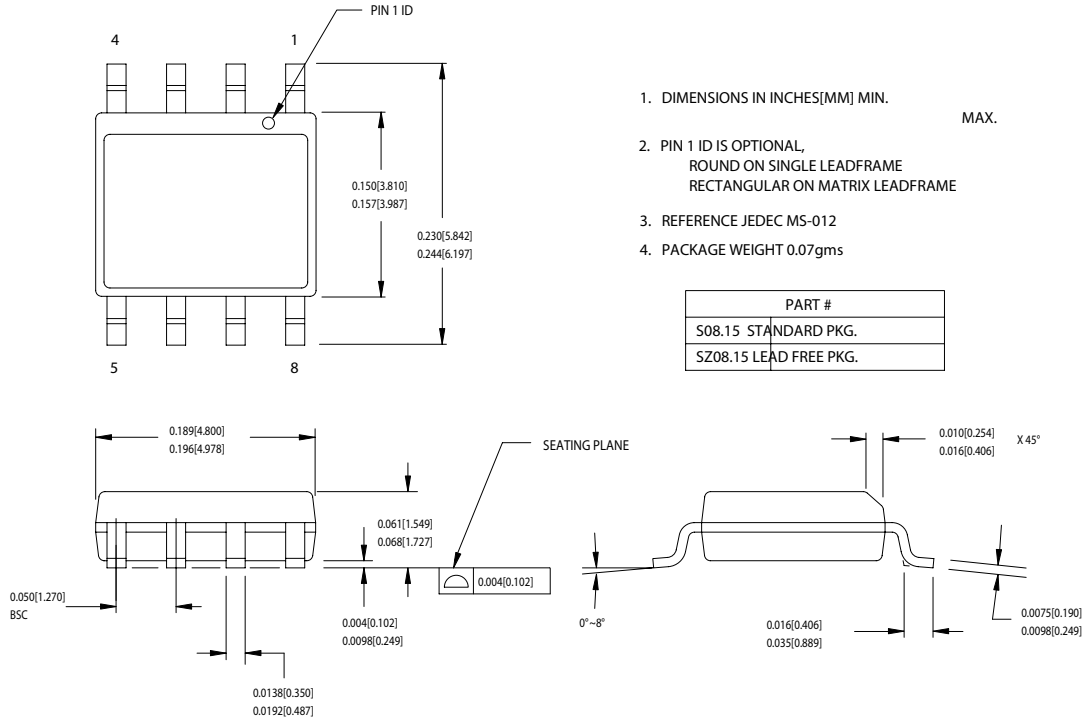
**Ordering Information**

Ordering Code	Package Type	Operating Temperature Range
W180-01G	8-pin Plastic SOIC (150-mil)	0°C to 70°C, Commercial
W180-01GT	8-pin Plastic SOIC (150-mil)- Tape and Reel	0°C to 70°C, Commercial
W180-02G	8-pin Plastic SOIC (150-mil)	0°C to 70°C, Commercial
W180-02GT	8-pin Plastic SOIC (150-mil)- Tape and Reel	0°C to 70°C, Commercial
W180-03G	8-pin Plastic SOIC (150-mil)	0°C to 70°C, Commercial
W180-03GT	8-pin Plastic SOIC (150-mil)- Tape and Reel	0°C to 70°C, Commercial
W180-51G	8-pin Plastic SOIC (150-mil)	0°C to 70°C, Commercial
W180-51GT	8-pin Plastic SOIC (150-mil)- Tape and Reel	0°C to 70°C, Commercial
W180-52G	8-pin Plastic SOIC (150-mil)	0°C to 70°C, Commercial
W180-52GT	8-pin Plastic SOIC (150-mil)- Tape and Reel	0°C to 70°C, Commercial
W180-53G	8-pin Plastic SOIC (150-mil)	0°C to 70°C, Commercial
W180-53GT	8-pin Plastic SOIC (150-mil)- Tape and Reel	0°C to 70°C, Commercial
<b>Lead-free</b>		
CYW180-01SX	8-pin Plastic SOIC (150-mil)	0°C to 70°C, Commercial
CYW180-01SXT	8-pin Plastic SOIC (150-mil)- Tape and Reel	0°C to 70°C, Commercial
CYW180-02SX	8-pin Plastic SOIC (150-mil)	0°C to 70°C, Commercial
CYW180-02SXT	8-pin Plastic SOIC (150-mil)- Tape and Reel	0°C to 70°C, Commercial
CYW180-03SX	8-pin Plastic SOIC (150-mil)	0°C to 70°C, Commercial
CYW180-03SXT	8-pin Plastic SOIC (150-mil)- Tape and Reel	0°C to 70°C, Commercial
CYW180-51SX	8-pin Plastic SOIC (150-mil)	0°C to 70°C, Commercial
CYW180-51SXT	8-pin Plastic SOIC (150-mil)- Tape and Reel	0°C to 70°C, Commercial
CYW180-52SX	8-pin Plastic SOIC (150-mil)	0°C to 70°C, Commercial
CYW180-52SXT	8-pin Plastic SOIC (150-mil)- Tape and Reel	0°C to 70°C, Commercial
CYW180-53SX	8-pin Plastic SOIC (150-mil)	0°C to 70°C, Commercial
CYW180-53SXT	8-pin Plastic SOIC (150-mil)- Tape and Reel	0°C to 70°C, Commercial



Package Diagram

8-lead (150-Mil) SOIC S8



51-85066-C

PREMIS is a trademark of Cypress Semiconductor Corporation. All products and company names mentioned in this document may be the trademarks of their respective holders.

**Document Title: W180 Peak Reducing EMI Solution**  
**Document Number: 38-07156**

<b>REV.</b>	<b>ECN NO.</b>	<b>Issue Date</b>	<b>Orig. of Change</b>	<b>Description of Change</b>
**	110266	12/15/01	SZV	Change from Spec number: 38-00796 to 38-07156
*A	122588	12/27/02	RBI	Added power up requirements to maximum ratings information.
*B	402292	See ECN	RGL	Added Lead-free devices