
PM5050J

Silicon N-Channel Power MOS FET Module

HITACHI

Application

High Speed Power Switching

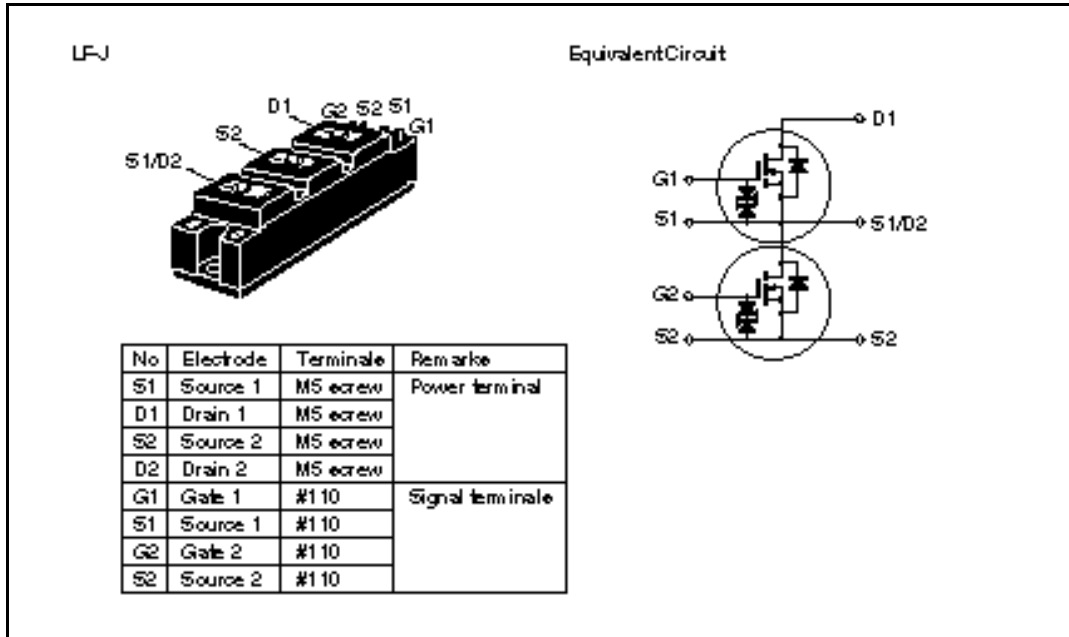
Features

- Equipped with Power MOS FET
- Low on-resistance
- High speed switching
- Low drive current
- Wide area of safe operation
- Inherent parallel diode between source and drain
- Isolated base from Terminal
- Suitable for motor driver, switching regulator and etc.



PM5050J

Outline



Absolute Maximum Ratings (Ta = 25°C) (Per FET chip)

Item	Symbol	Rating	Unit
Drain source voltage	$V_{(BR)DSS}$	500	V
Gate source voltage	$V_{(BR)GSS}$	±30	V
Drain current	I_D	50	A
Drain peak current	$I_{D(peak)}$	120	A
Body to drain diode reverse drain current	I_{DR}	50	A
Body to drain diode reverse peak current	$I_{DR(peak)}$	120	A
Channel dissipation	P_{ch}^{*1}	250	W
Channel temperature	T_{ch}	150	°C
Storage temperature	T_{stg}	-45 to +125	°C
Insulation dielectric	V_{iso}^{*2}	2000	Vrms

- Notes: 1. Value at Ta = 25°C
 2. Base to terminals AC minute

Electrical Characteristics (Ta = 25°C) (Per FET chip)

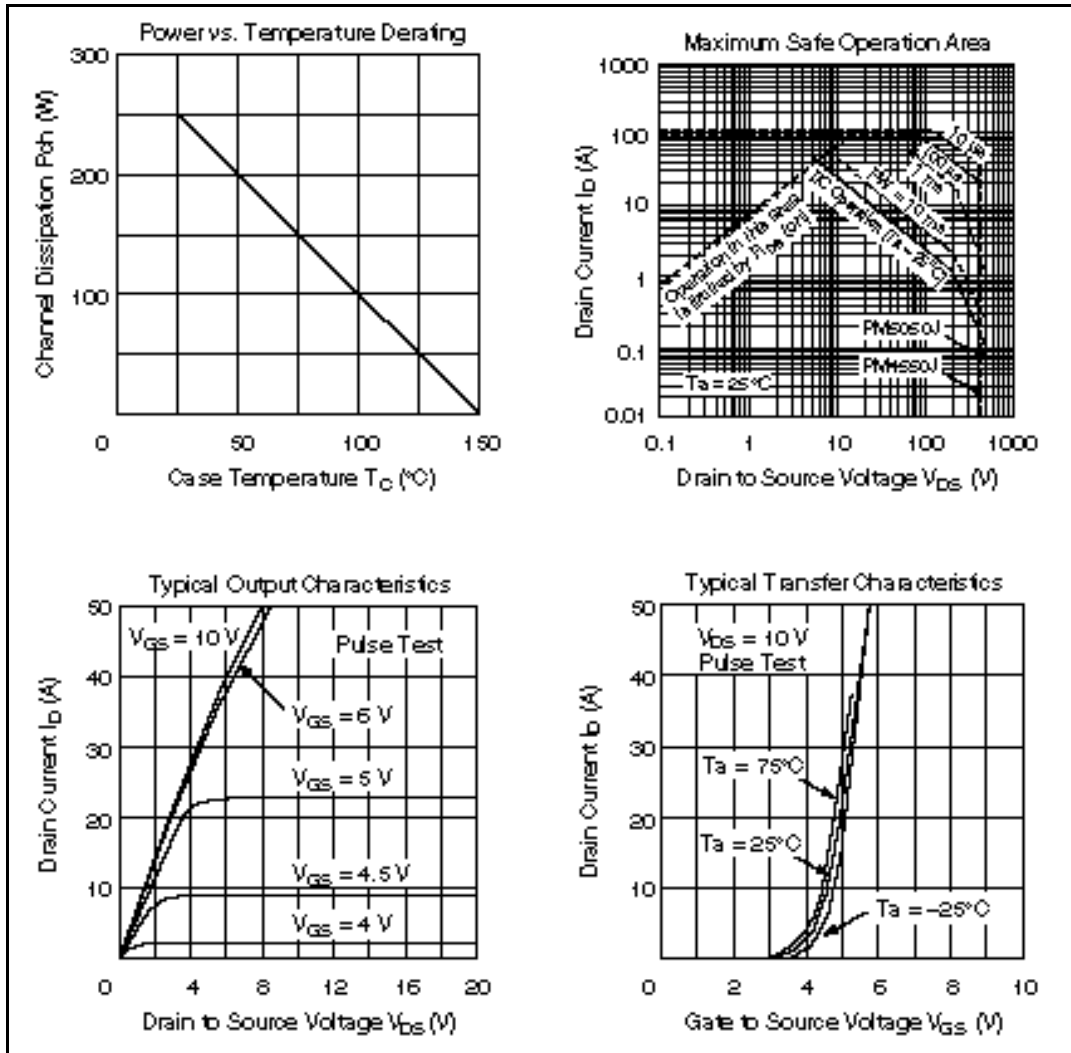
Item	Symbol	Min	Typ	Max	Unit	Test conditions
Drain to source breakdown voltage	$V_{(BR)DSS}$	500	—	—	V	$I_D = 10 \text{ mA}, V_{GS} = 0 \text{ V}$
Gate to source leak current	I_{GSS}	—	—	±10	µA	$V_{GS} = \pm 25 \text{ V}, V_{DS} = 0 \text{ V}$
Gate to source breakdown voltage	$V_{(BR)GSS}$	±30	—	—	V	$I_G = \pm 100 \text{ µA}, V_{DS} = 0 \text{ V}$
Drain leak current	I_{DSS}	—	—	500	µA	$V_{DS} = 400 \text{ V}, V_{GS} = 0 \text{ V}$
Gate to source threshold voltage	$V_{GS(th)}$	2.0	—	3.0	V	$I_D = 1 \text{ mA}, V_{DS} = 10 \text{ V}$
Drain to source saturation voltage	$V_{DS(on)}$	—	3.5	4.5	V	$I_D = 25 \text{ A}, V_{GS} = 10 \text{ V}^{*1}$
Static drain to source on state resistance	$R_{DS(on)}$	—	0.14	0.18		$I_D = 25 \text{ A}, V_{GS} = 10 \text{ V}^{*1}$
Forward transfer admittance	$ y_{fs} $	—	30	—	S	$I_D = 25 \text{ A}, V_{DS} = 10 \text{ V}^{*1}$
Input capacitance	C_{iss}	—	6600	—	pF	$V_{DS} = 10 \text{ V}, V_{GS} = 0 \text{ V}$
Output capacitance	C_{oss}	—	1550	—		$f = 1 \text{ MHz}$
Reverse transfer capacitance	C_{rss}	—	250	—		
Turn-on delay time	$t_{d(on)}$	—	45	—	ns	$I_D = 25 \text{ A}, V_{GS} = 10 \text{ V}$
Rise time	t_r	—	270	—		$R_g = 50$
Turn-off delay time	$t_{d(off)}$	—	250	—		$R_L = 1.2$
Fall time	t_f	—	140	—		
Body to drain diode forward voltage	V_{DF}	—	1.6	—	V	$I_F = 50 \text{ A}, V_{GS} = 0 \text{ V}$
Body to drain diode reverse recovery time	t_{rr}	—	130	—	ns	$I_F = 50 \text{ A}, V_{GS} = 0 \text{ V}$ $di/dt = 100 \text{ A/µs}$

Note: 1. Pulse Test

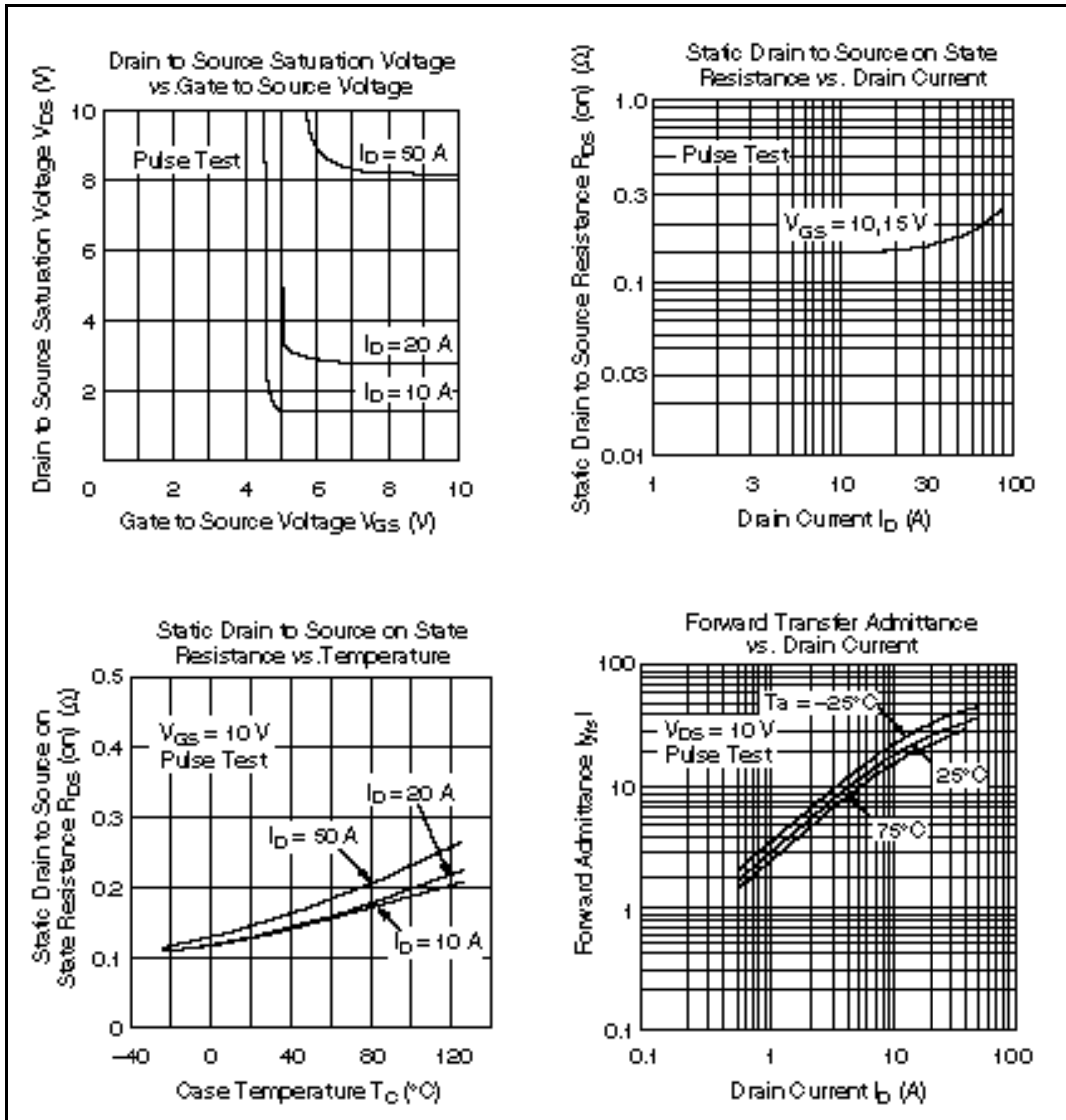
Mechanical Characteristics

Item	Symbol	Condition	Rating	Unit
Fixing strength	—	Mounting into main-terminal with M4 screw	1.45 to 1.95	N-m
	—	Mounting into heat sink with M5 screw	1.95 to 2.9	N-m
Weight	—	Typical value	200	g

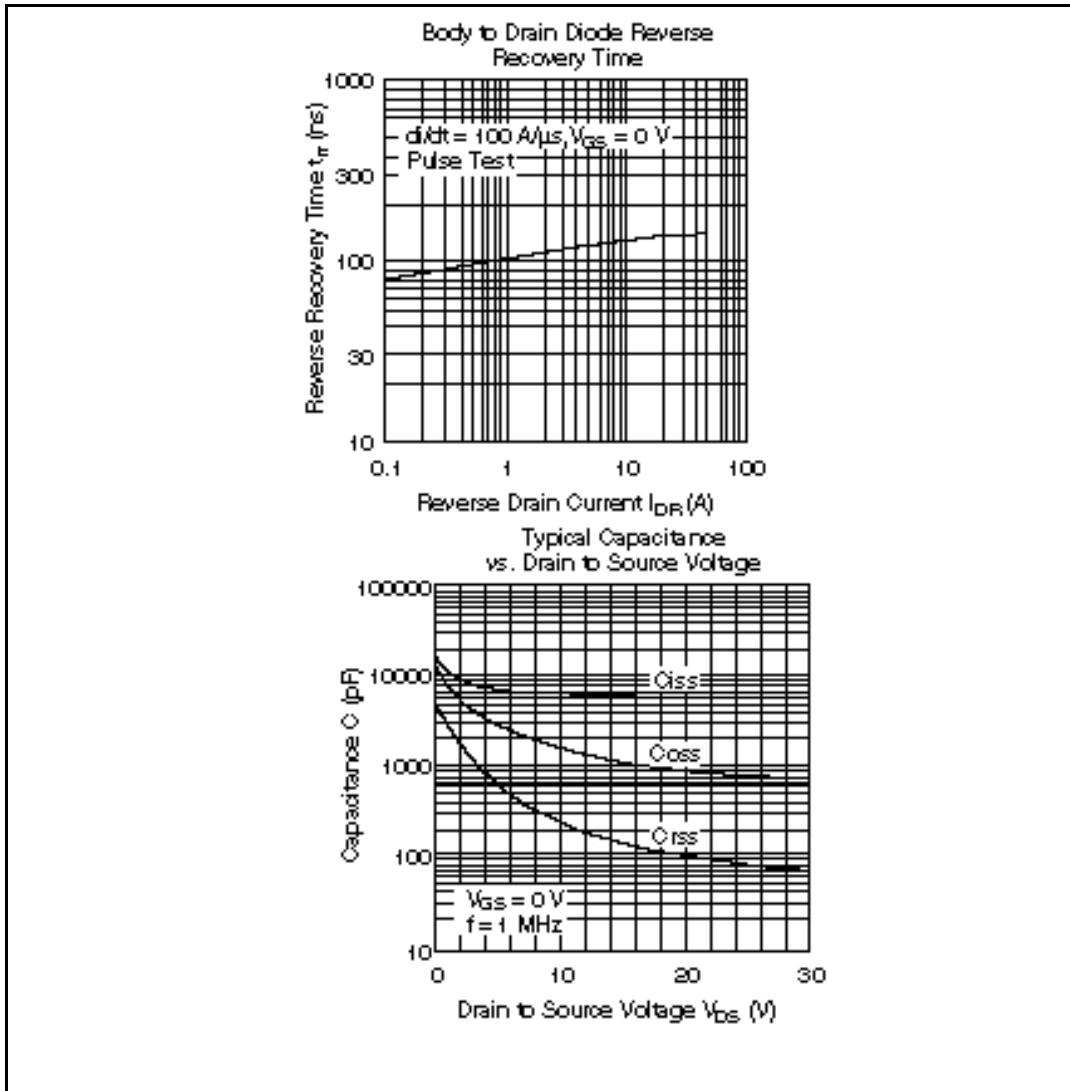
PM5050J



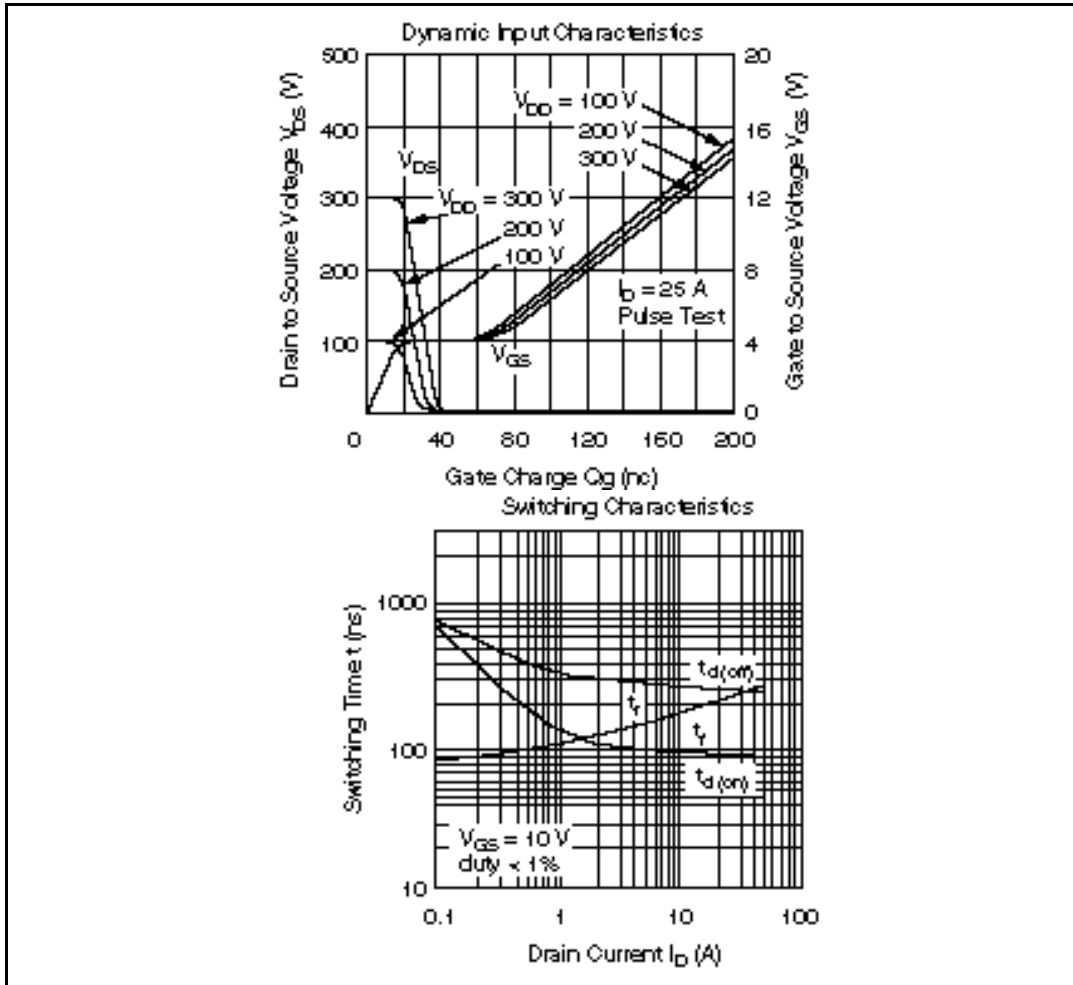
HITACHI

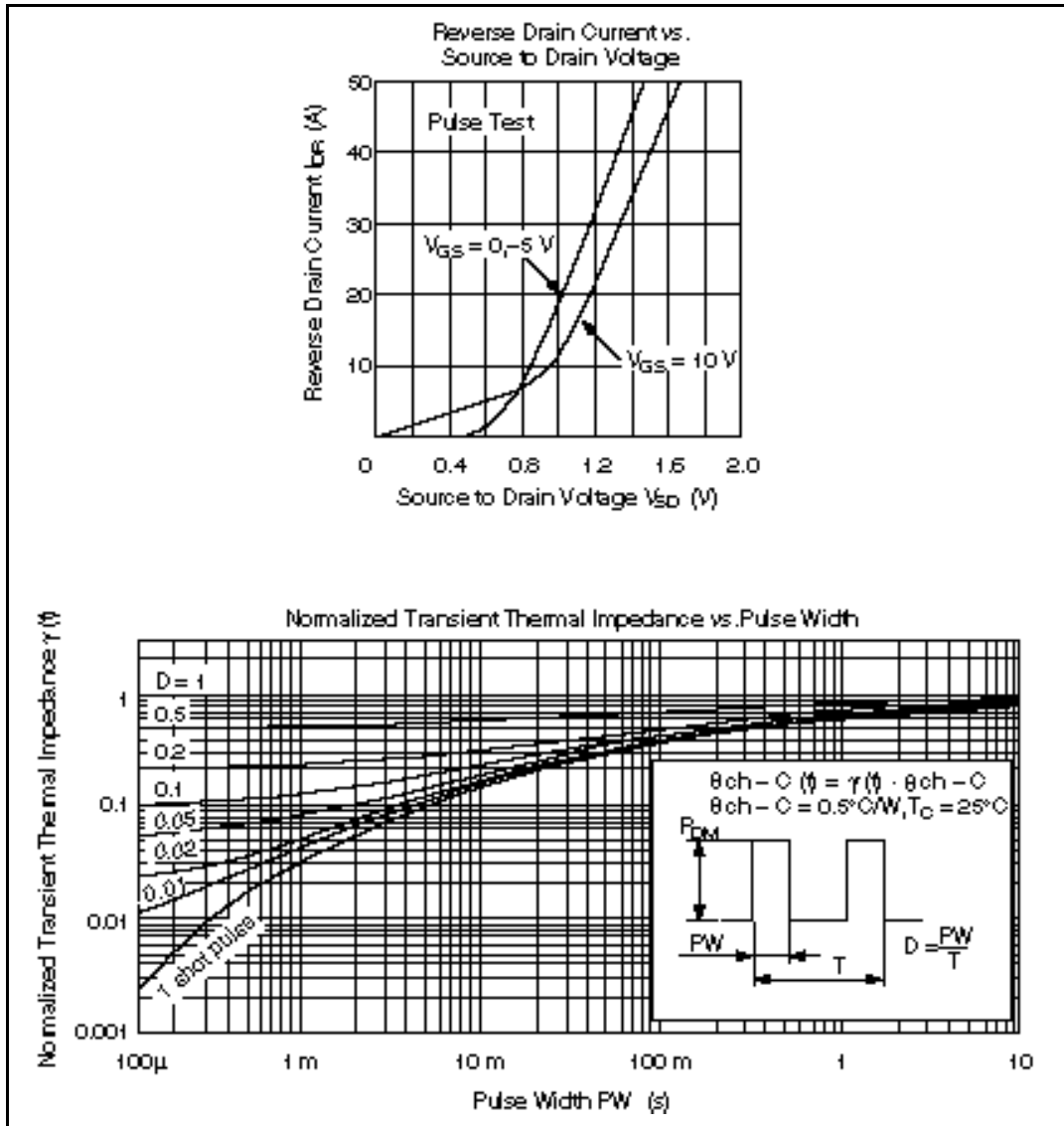


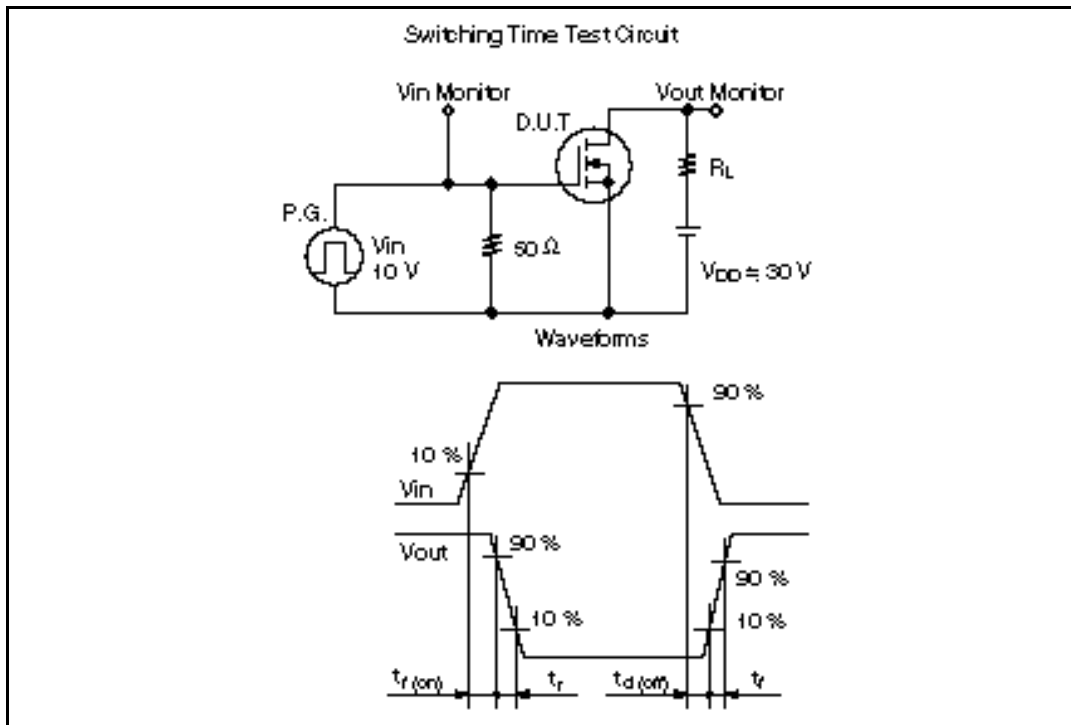
PM5050J



HITACHI



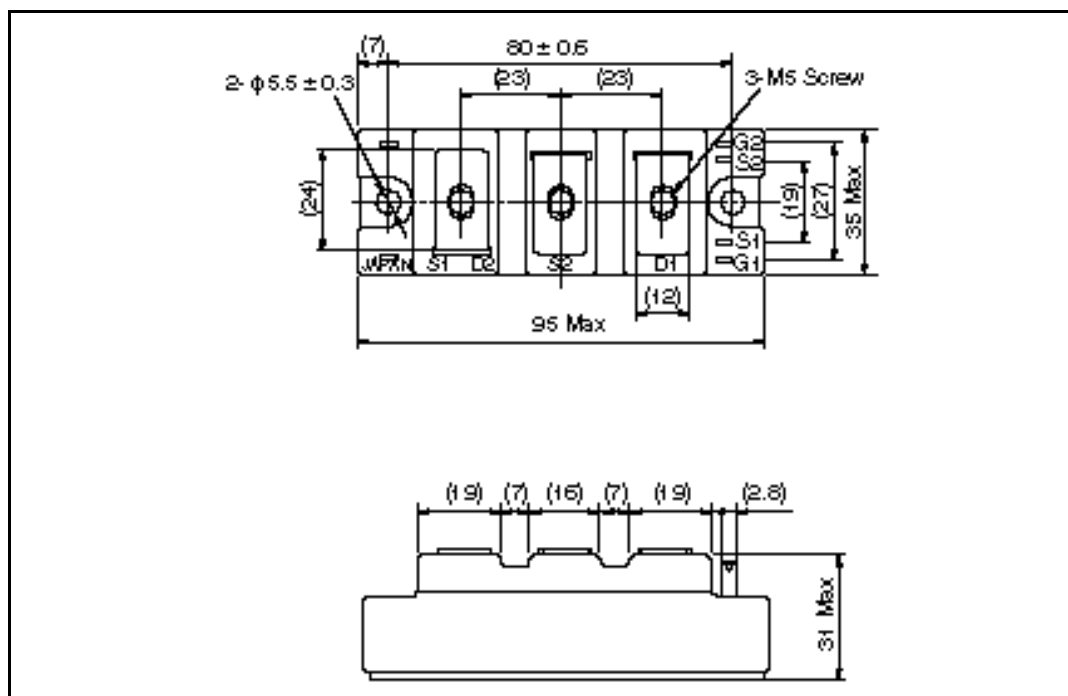




PM5050J

Package Dimensions

Unit: mm



HITACHI

When using this document, keep the following in mind:

1. This document may, wholly or partially, be subject to change without notice.
2. All rights are reserved: No one is permitted to reproduce or duplicate, in any form, the whole or part of this document without Hitachi's permission.
3. Hitachi will not be held responsible for any damage to the user that may result from accidents or any other reasons during operation of the user's unit according to this document.
4. Circuitry and other examples described herein are meant merely to indicate the characteristics and performance of Hitachi's semiconductor products. Hitachi assumes no responsibility for any intellectual property claims or other problems that may result from applications based on the examples described herein.
5. No license is granted by implication or otherwise under any patents or other rights of any third party or Hitachi, Ltd.
6. **MEDICAL APPLICATIONS:** Hitachi's products are not authorized for use in **MEDICAL APPLICATIONS** without the written consent of the appropriate officer of Hitachi's sales company. Such use includes, but is not limited to, use in life support systems. Buyers of Hitachi's products are requested to notify the relevant Hitachi sales offices when planning to use the products in **MEDICAL APPLICATIONS**.

HITACHI

Hitachi, Ltd.

Semiconductor & IC Div.

Nippon Bldg., 2-6-2, Ohite-machi, Chiyoda-ku, Tokyo 100, Japan

Tel Tokyo (03) 3270-2111

Fax (03) 3270-5109

For further information write to:

Hitachi America, Ltd.

Semiconductor & IC Div.

2000 Sierra Point Parkway

Brisbane, CA. 94005-1835

U.S.A.

Tel 415-589-8300

Fax 415-589-4207

Hitachi Europe GmbH

Electronic Components Group

Continental Europe

Darnecker Straße 3

D-85622 Feldkirchen

München

Tel 089-9 24 80-0

Fax 089-9 29 30 00

Hitachi Europe Ltd.

Electronic Components Div.

Northern Europe Headquarters

Whitebrook Park

Lower Cookham Road

M Maidenhead

Berkshire SL6 8YA

United Kingdom

Tel 0628-585000

Fax 0628-778322

Hitachi Asia Pte. Ltd.

#5 Collyer Quay #20-00

Hitachi Tower

Singapore 04104

Tel 535-2100

Fax 535-1533

Hitachi Asia (Hong Kong) Ltd.

Unit 705, North Tower,

World Finance Centre

Harbour City, Canton Road

Tsim Sha Tsui, Kowloon

Hong Kong

Tel 27359218

Fax 27308074