

Power MOSFET, 180 A



SOT-227

PRODUCT SUMMARY	
V _{DSS}	100 V
I _D DC	180 A
R _{DS(on)}	0.0065 Ω
Type	Modules - MOSFET
Package	SOT-227

FEATURES

- Fully isolated package
- Easy to use and parallel
- Very low on-resistance
- Dynamic dV/dt rating
- Fully avalanche rated
- Simple drive requirements
- Low drain to case capacitance
- Low internal inductance
- UL pending
- Compliant to RoHS directive 2002/95/EC



RoHS
COMPLIANT

DESCRIPTION

5th Generation, high current density Power MOSFETs are paralalled into a compact, high power module providing the best combination of switching, ruggedized design, very low on resistance and cost effectiveness.

The isolated SOT-227 package is preferred for all commercial-industrial applications at power dissipation levels to approximately 500 W. The low thermal resistance and easy connection to the SOT-227 package contribute to its universal acceptance throughout the industry.

ABSOLUTE MAXIMUM RATINGS				
PARAMETER	SYMBOL	TEST CONDITIONS	MAX.	UNITS
Continuous drain current at V _{GS} 10 V	I _D	T _C = 25 °C	180	A
		T _C = 100 °C	120	
Pulsed drain current	I _{DM} ⁽¹⁾		720	
Power dissipation	P _D	T _C = 25 °C	480	W
Linear derating factor			2.7	W/°C
Gate to source voltage	V _{GS}		± 20	V
Single pulse avalanche energy	E _{AS} ⁽²⁾		700	mJ
Avalanche current	I _{AR} ⁽¹⁾		180	A
Repetitive avalanche energy	E _{AR} ⁽¹⁾		48	mJ
Peak diode recovery dV/dt	dV/dt ⁽³⁾		5.7	V/ns
Operating junction and storage temperature range	T _J , T _{Stg}		- 55 to + 150	°C
Insulation withstand voltage (AC-RMS)	V _{ISO}		2.5	kV
Mounting torque		M4 screw	1.3	Nm

Notes

⁽¹⁾ Repetitive rating; pulse width limited by maximum junction temperature (see fig. 8)

⁽²⁾ Starting T_J = 25 °C, L = 43 μH, R_g = 25 Ω, I_{AS} = 180 A (see fig. 12)

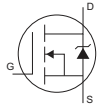
⁽³⁾ I_{SD} ≤ 180 A, di/dt ≤ 83 A/μs, V_{DD} ≤ V_{(BR)DSS}, T_J ≤ 150 °C

THERMAL RESISTANCE				
PARAMETER	SYMBOL	TYP.	MAX.	UNITS
Junction to case	R_{thJC}	-	0.26	°C/W
Case to sink, flat, greased surface	R_{thCS}	0.05	-	

ELECTRICAL CHARACTERISTICS ($T_J = 25\text{ °C}$ unless otherwise noted)						
PARAMETER	SYMBOL	TEST CONDITIONS	MIN.	TYP.	MAX.	UNITS
Drain to source breakdown voltage	$V_{(BR)DSS}$	$V_{GS} = 0\text{ V}, I_D = 250\text{ }\mu\text{A}$	100	-	-	V
Breakdown voltage temperature coefficient	$\Delta V_{(BR)DSS}/\Delta T_J$	Reference to $25\text{ °C}, I_D = 1\text{ mA}$	-	0.093	-	V/°C
Static drain to source on-resistance	$R_{DS(on)}^{(1)}$	$V_{GS} = 10\text{ V}, I_D = 180\text{ A}$	-	0.0065	-	Ω
Gate threshold voltage	$V_{GS(th)}$	$V_{DS} = V_{GS}, I_D = 250\text{ }\mu\text{A}$	2.0	-	4.0	V
Forward transconductance	g_{fs}	$V_{DS} = 25\text{ V}, I_D = 180\text{ A}$	93	-	-	S
Drain to source leakage current	I_{DSS}	$V_{DS} = 100\text{ V}, V_{GS} = 0\text{ V}$ $V_{DS} = 80\text{ V}, V_{GS} = 0\text{ V}, T_J = 125\text{ °C}$	-	-	50	μA
Gate to source forward leakage	I_{GSS}	$V_{GS} = 20\text{ V}$ $V_{GS} = -20\text{ V}$	-	-	200	
Total gate charge	Q_g	$I_D = 180\text{ A}$	-	250	380	nC
Gate to source charge	Q_{gs}	$V_{DS} = 80\text{ V}$	-	40	60	
Gate to drain ("Miller") charge	Q_{gd}	$V_{GS} = 10.0\text{ V}$; see fig. 6 and 13 ⁽¹⁾	-	110	165	
Turn-on delay time	$t_{d(on)}$	$V_{DD} = 50\text{ V}$ $I_D = 180\text{ A}$ $R_g = 2.0\text{ }\Omega$ (internal) $R_D = 0.27\text{ }\Omega$, see fig. 10 ⁽¹⁾	-	45	-	ns
Rise time	t_r		-	351	-	
Turn-off delay time	$t_{d(off)}$		-	181	-	
Fall time	t_f		-	335	-	
Internal source inductance	L_S	Between lead, and center of die contact	-	5.0	-	nH
Input capacitance	C_{iss}	$V_{GS} = 0\text{ V}$ $V_{DS} = 25\text{ V}$ $f = 1.0\text{ MHz}$, see fig. 5	-	10 700	-	pF
Output capacitance	C_{oss}		-	2800	-	
Reverse transfer capacitance	C_{rss}		-	1300	-	

Note

⁽¹⁾ Pulse width $\leq 300\text{ }\mu\text{s}$, duty cycle $\leq 2\%$

SOURCE-DRAIN RATINGS AND CHARACTERISTICS						
PARAMETER	SYMBOL	TEST CONDITIONS	MIN.	TYP.	MAX.	UNITS
Continuous source current (body diode)	I_S	MOSFET symbol showing the integral reverse p-n junction diode. 	-	-	180	A
Pulsed source current (body diode)	$I_{SM}^{(1)}$		-	-	720	
Diode forward voltage	$V_{SD}^{(2)}$	$T_J = 25\text{ °C}, I_S = 180\text{ A}, V_{GS} = 0\text{ V}$	-	-	1.3	V
Reverse recovery time	$t_{rr}^{(2)}$	$T_J = 25\text{ °C}, I_F = 180\text{ A}; di/dt = 100\text{ A}/\mu\text{s}$	-	300	450	ns
Reverse recovery charge	Q_{rr}		-	2.6	3.9	μC
Forward turn-on time	t_{on}	Intrinsic turn-on time is negligible (turn-on is dominated by $L_S + L_D$)				

Notes

⁽¹⁾ Repetitive rating; pulse width limited by maximum junction temperature (see fig. 8)

⁽²⁾ Pulse width $\leq 300\text{ }\mu\text{s}$, duty cycle $\leq 2\%$

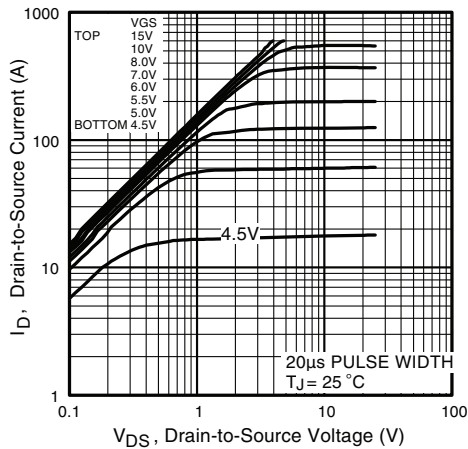


Fig. 1 - Typical Output Characteristics

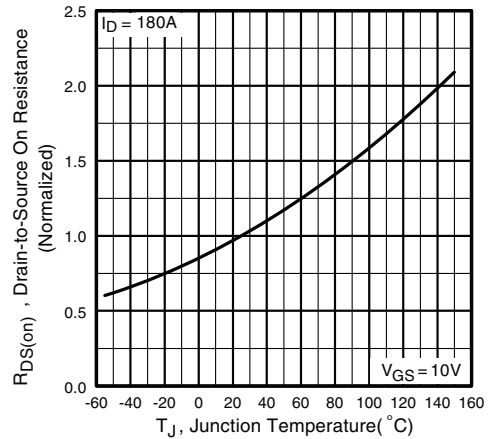


Fig. 4 - Normalized On-Resistance vs. Temperature

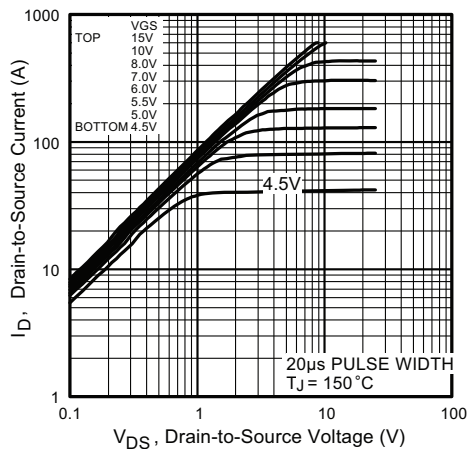


Fig. 2 - Typical Output Characteristics

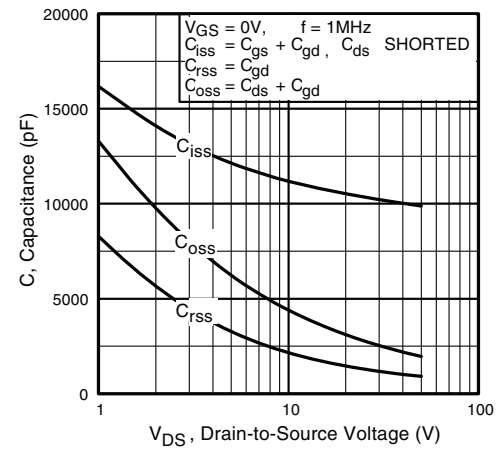


Fig. 5 - Typical Capacitance vs. Drain to Source Voltage

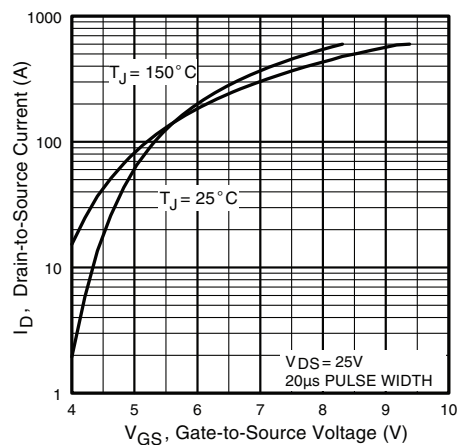


Fig. 3 - Typical Transfer Characteristics

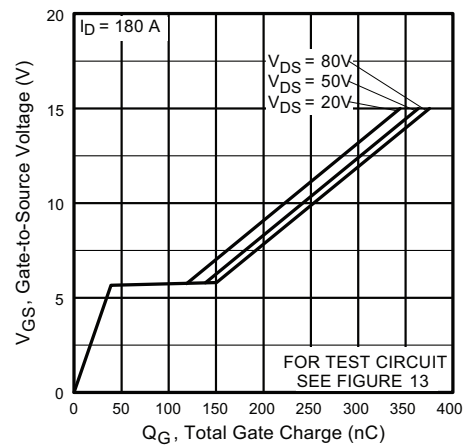


Fig. 6 - Typical Gate Charge vs. Gate to Source Voltage

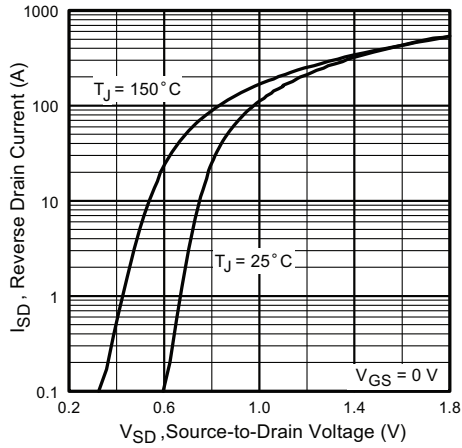


Fig. 7 - Typical Source Drain Diode Forward Voltage

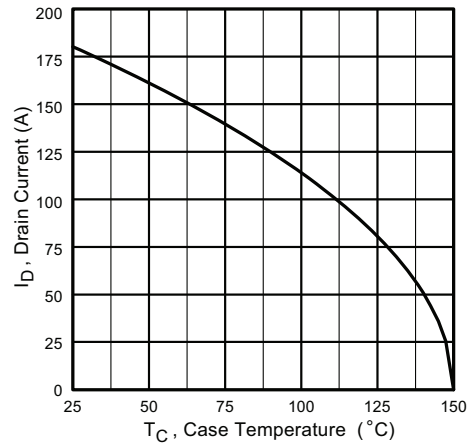


Fig. 9 - Maximum Drain Current vs. Case Temperature

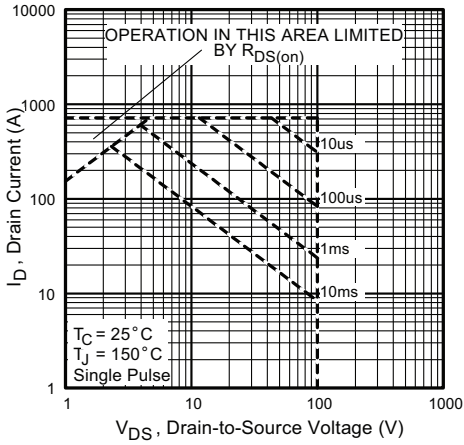


Fig. 8 - Maximum Safe Operating Area

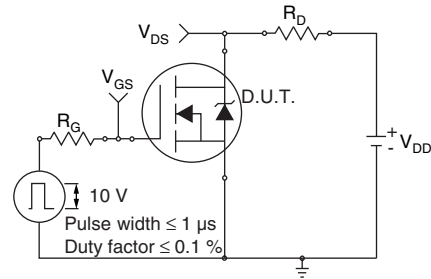


Fig. 10a - Switching Time Test Circuit

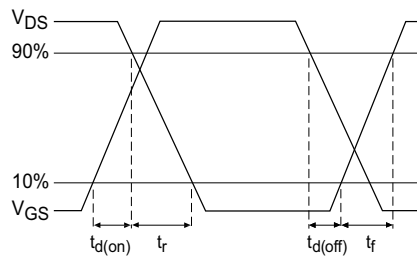


Fig. 10b - Switching Time Waveforms

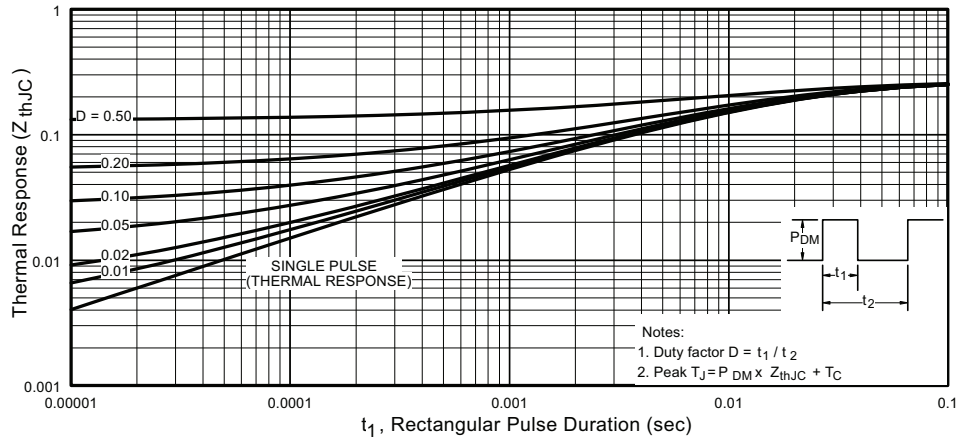


Fig. 11 - Maximum Effective Transient Thermal Impedance, Junction to Case

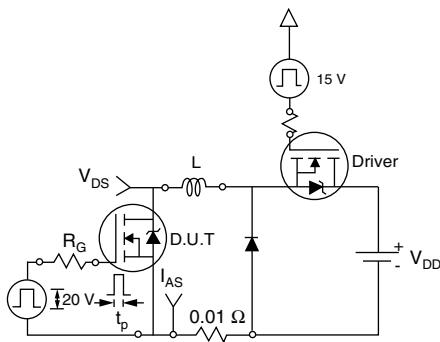


Fig. 12a - Unclamped Inductive Test Circuit

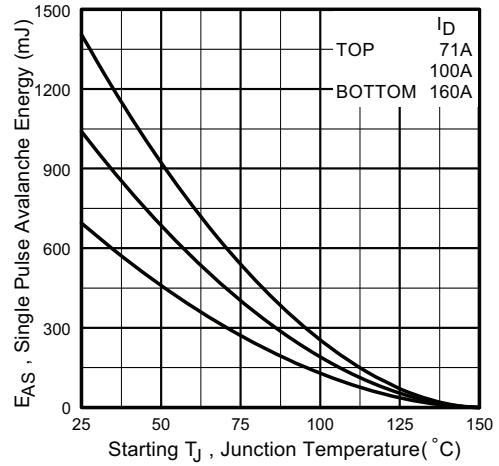


Fig. 12c - Maximum Avalanche Energy vs. Drain Current

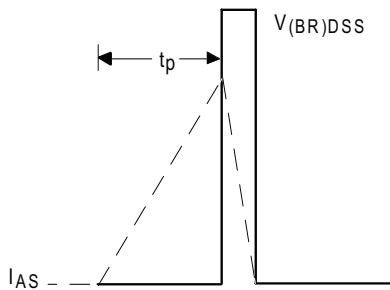


Fig. 12b - Unclamped Inductive Waveforms

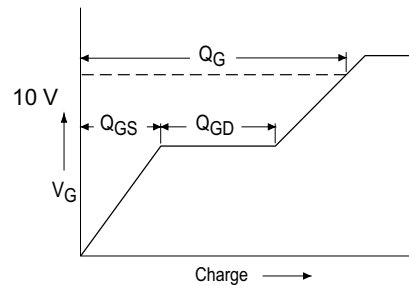


Fig. 13a - Basic Gate Charge Waveform

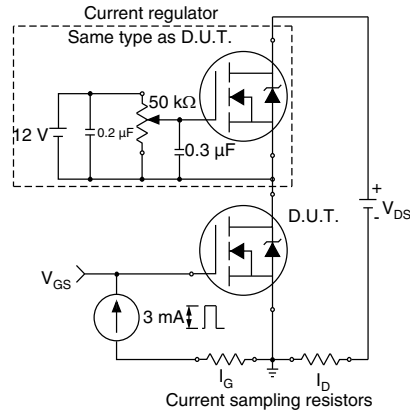


Fig. 13b - Gate Charge Test Circuit

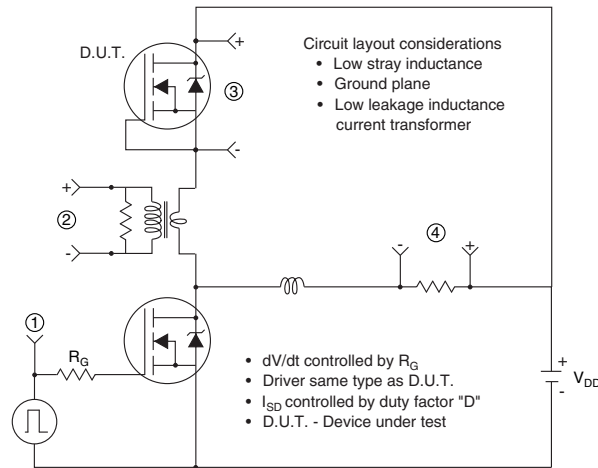


Fig. 13c - Peak Diode Recovery dV/dt Test Circuit

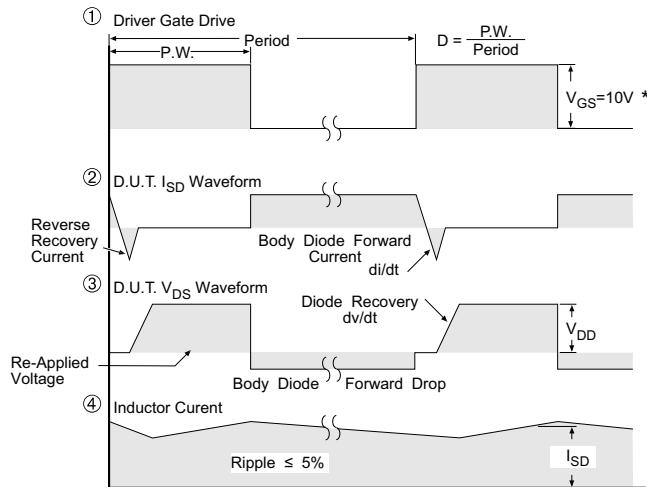


Fig. 14 - For N-Channel Power MOSFETs

ORDERING INFORMATION TABLE

Device code	F	B	180	S	A	10	P		
	①	②	③	④	⑤	⑥	⑦		
	1	-	Power MOSFET	2	-	Generation 5 MOSFET silicon DBC construction	3	-	Current rating (180 = 180 A)
	4	-	Single switch	5	-	SOT-227	6	-	Voltage rating (10 = 100 V)
	7	-	P = Lead (Pb)-free						

CIRCUIT CONFIGURATION		
CIRCUIT	CIRCUIT CONFIGURATION CODE	CIRCUIT DRAWING
Single switch no diode	S	

LINKS TO RELATED DOCUMENTS	
Dimensions	www.vishay.com/doc?95036
Packaging information	www.vishay.com/doc?95037

Disclaimer

All product specifications and data are subject to change without notice.

Vishay Intertechnology, Inc., its affiliates, agents, and employees, and all persons acting on its or their behalf (collectively, "Vishay"), disclaim any and all liability for any errors, inaccuracies or incompleteness contained herein or in any other disclosure relating to any product.

Vishay disclaims any and all liability arising out of the use or application of any product described herein or of any information provided herein to the maximum extent permitted by law. The product specifications do not expand or otherwise modify Vishay's terms and conditions of purchase, including but not limited to the warranty expressed therein, which apply to these products.

No license, express or implied, by estoppel or otherwise, to any intellectual property rights is granted by this document or by any conduct of Vishay.

The products shown herein are not designed for use in medical, life-saving, or life-sustaining applications unless otherwise expressly indicated. Customers using or selling Vishay products not expressly indicated for use in such applications do so entirely at their own risk and agree to fully indemnify Vishay for any damages arising or resulting from such use or sale. Please contact authorized Vishay personnel to obtain written terms and conditions regarding products designed for such applications.

Product names and markings noted herein may be trademarks of their respective owners.