

BXB75 SERIES

Single output



- Industry standard footprint
- MTBF >1.4 million hours (Bellcore 332)
- Input voltage to ETS300-132-2
- Adjustable output voltage
- No minimum load required
- Separate case ground pin
- 2:1 input range for battery powered applications
- Undervoltage lockout (UVLO)
- UL, VDE and CSA safety approvals

The BXB75 Series are high power density DC/DC converters packaged in the industry standard footprint (2.40 x 2.28 x 0.50 inches) to give designers optimum choices when specifying for both new and replacement designs. Suitable for a wide range of applications in nearly any industry, the BXB75 was particularly designed with communication and distributed power applications in mind. Using Bellcore 332, the MTBF is greater than 1,400,000 hours. Aluminum baseplate technology with four threaded M3 inserts makes heatsink attachment and optimum thermal management easy. The BXB75 series is approved to IEC950 by UL, CSA and VDE.

[2 YEAR WARRANTY]



SPECIFICATION All specifications are typical at nominal input, full load at 25°C unless otherwise stated

| OUTPUT SPECIFICATIONS | | |
|--|--------------------------------|---|
| Voltage adjustability | | 60% to 110% |
| Set point accuracy | | ±1.0% |
| Line regulation | Low line to high line | ±0.05% |
| Load regulation | Full load to min. load | ±0.10% |
| Minimum load | | 0% |
| Overshoot | At turn-on and turn-off | None |
| Undershoot | | None |
| Ripple and noise (5Hz to 20MHz) (See Note 1) | 3.3V and 5V 12V and 15V | 75mV pk-pk, 20mV rms 100mV pk-pk, 30mV rms |
| Temperature coefficient | | ±0.01%/°C |
| Transient response (See Note 2) | | ±2.0% max. deviation 170µs recovery to within ±1.0% |
| Remote sense | | 0.5VDC transmission line drop compensation |
| INPUT SPECIFICATIONS | | |
| Input voltage range | 24Vin nominal 48Vin nominal | 18 to 36VDC 36 to 75VDC |
| Input current | No load Remote OFF | 100mA max. 20mA max. |
| Input current (max.) (See Note 4) | 48V models | 3.5A max. @ Io max. and Vin = 0 to 75V |
| Input reflected ripple (See Note 6) | | 5mA pk-pk |
| Active low remote ON/OFF Logic compatibility ON OFF | | (See Note 7) Open collector ref to -input 1.2VDC max. Open circuit |

| INPUT SPECIFICATIONS CONTINUED | | |
|---|--|---|
| Undervoltage lockout | 24Vin: power up 24Vin: power down 48Vin: power up 48Vin: power down | 17V 16V 34V 32.5V |
| Start-up time (See Note 8) | Power up Remote ON/OFF | 20ms 20ms |
| EMC CHARACTERISTICS | | |
| Conducted emissions (See Note 3) | Bellcore 1089 FCC part 15 EN55022, CISPR22 | Level A Level A Level A |
| GENERAL SPECIFICATIONS | | |
| Efficiency | | See table |
| Isolation voltage | Input/case Input/output Output/case | 1500VDC 1500VDC 1500VDC |
| Switching frequency | Fixed | 500kHz typ. |
| Approvals and standards (See Note 5) | | VDE0805, EN60950, IEC950 UL1950, CSA C22.2 No. 950 |
| Case material | | Aluminum baseplate with plastic case |
| Material flammability | | UL94V-0 |
| Weight | | 110g (3.88oz) |
| MTBF | Bellcore 332 MIL-HDBK-217F @ 40°C, 100% full load | 1,400,000 hours 580,000 hours min. |
| ENVIRONMENTAL SPECIFICATIONS | | |
| Thermal performance | Operating case temp. Non-operating | -40°C to +100°C -55°C to +125°C |
| Altitude | Operating Non-operating | 10,000 feet max. 40,000 feet max. |
| Vibration | 5Hz to 500Hz | 2.4G rms (approx.) |

50 to 75 Watt Wide input DC/DC converters

| OUTPUT POWER (MAX.) | INPUT VOLTAGE | OVP | OUTPUT VOLTAGE | OUTPUT CURRENT (MIN.) | OUTPUT CURRENT (MAX.) | EFFICIENCY (TYP.) | REGULATION | | MODEL NUMBER (7) |
|---------------------|---------------|---------|----------------|-----------------------|-----------------------|-------------------|------------|-------|------------------|
| | | | | | | | LINE | LOAD | |
| 50W | 18-36VDC | 4.3VDC | 3.3V | 0A | 15A | 78% | ±0.05% | ±0.1% | BXB75-24S3V3FLT |
| 75W | 18-36VDC | 6.5VDC | 5V | 0A | 15A | 82% | ±0.05% | ±0.1% | BXB75-24S05FLT |
| 75W | 18-36VDC | 14.5VDC | 12V | 0A | 6.25A | 83% | ±0.05% | ±0.1% | BXB75-24S12FLT |
| 75W | 18-36VDC | 17.5VDC | 15V | 0A | 5.0A | 84% | ±0.05% | ±0.1% | BXB75-24S15FLT |
| 50W | 36-75VDC | 4.3VDC | 3.3V | 0A | 15A | 79% | ±0.05% | ±0.1% | BXB75-48S3V3FLT |
| 75W | 36-75VDC | 6.5VDC | 5V | 0A | 15A | 83% | ±0.05% | ±0.1% | BXB75-48S05FLT |
| 75W | 36-75VDC | 14.5VDC | 12V | 0A | 6.25A | 84% | ±0.05% | ±0.1% | BXB75-48S12FLT |
| 75W | 36-75VDC | 17.5VDC | 15V | 0A | 5.0A | 85% | ±0.05% | ±0.1% | BXB75-48S15FLT |

Notes

- Measured with 10 μ F tantalum capacitor and 1 μ F ceramic capacitor across output.
- di/dt = 0.1A/1 μ s, Vin = 48VDC, Tc = 25°C, load change = 0.5 Io max. to 0.75 Io max. and 0.75 Io max. to 0.5 Io max.
- Units should be characterised within systems. External components required.
- Input fusing is recommended based on surge current and maximum input current.
- This product is only for inclusion by professional installers within other equipment and must not be operated as a stand alone product.
- Simulated source impedance of 12 μ H. 12 μ H inductor in series with +Vin.
- Active high remote on/off option is available (standard product is active low), designate with the suffix 'FHT' e.g. **BXB75-48S05FHT**. Consult factory for further details and options.
- Start-up into resistive load.

PROTECTION

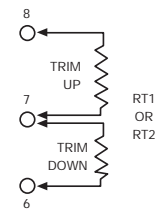
| | |
|--------------------------|-------------------------------------|
| Short circuit protection | Continuous, automatic recovery |
| Oversvoltage protection | Non-latching |
| Undersvoltage protection | Non-latching |
| Thermal protection | 110°C baseplate, automatic recovery |

TELECOM SPECIFICATIONS

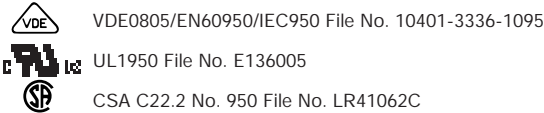
| | |
|----------------------------|--------------|
| Central office interface A | ETS300-132-2 |
|----------------------------|--------------|

EXTERNAL OUTPUT TRIMMING

Output can be externally trimmed by using the method shown below.

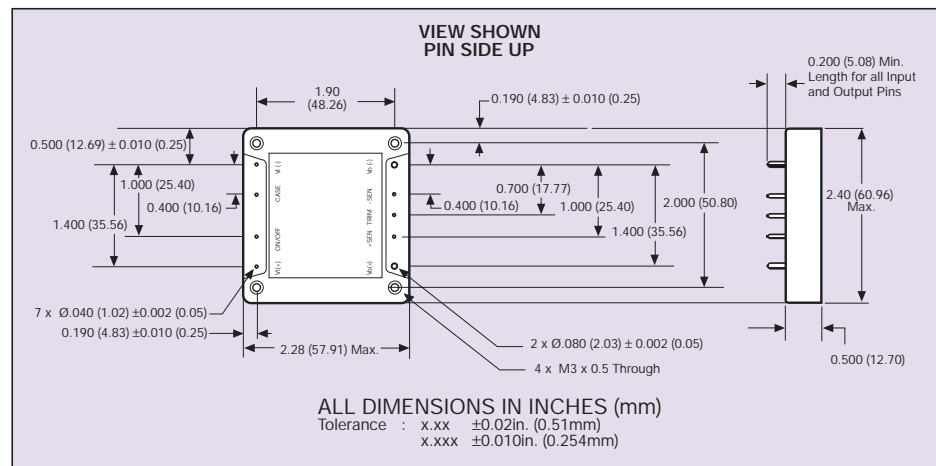


International Safety Standard Approvals



PIN CONNECTIONS

| PIN NUMBER | FUNCTION |
|------------|---------------|
| 1 | + Vin |
| 2 | Remote ON/OFF |
| 3 | Case |
| 4 | - Vin |
| 5 | - Vout |
| 6 | - Sense |
| 7 | Trim |
| 8 | + Sense |
| 9 | + Vout |



Data Sheet © Artesyn Technologies® 2000

The information and specifications contained in this data sheet are believed to be correct at time of publication. However, Artesyn Technologies accepts no responsibility for consequences arising from printing errors or inaccuracies. Specifications are subject to change without notice. No rights under any patent accompany the sale of any such product(s) or information contained herein.