

# SHINDENGEN

## Schottky Rectifiers (SBD)

Modules

# D120SC4M

## 40V 120A

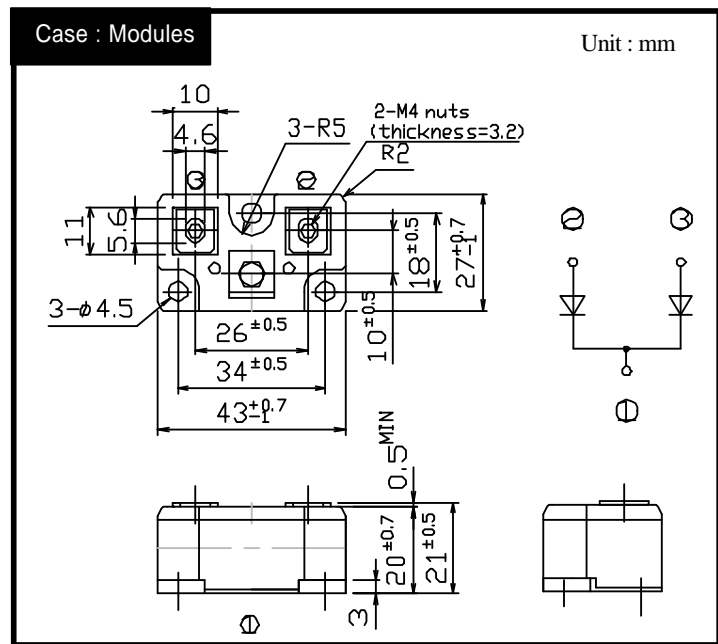
### FEATURES

- High capacity modules
- Low VF
- Small jc

### APPLICATION

- Big switching power supply
- DC/DC converter
- Mainframe
- IC tester

### OUTLINE DIMENSIONS



### RATINGS

Absolute Maximum Ratings (If not specified Tc=25 )

Item	Symbol	Conditions	Ratings	Units
Storage Temperature	Tstg		-40 ~ 125	
Operating Junction Temperature	Tj		125	
Maximum Reverse Voltage	V <sub>RM</sub>		40	V
Repetitive Peak Surge Reverse Voltage	V <sub>RRSM</sub>	Pulse width 100ms, duty 1/100	48	V
Average Rectified Forward Current	I <sub>O</sub>	50Hz sine wave, R-load, Rating for each diode I <sub>o</sub> /2, Tc=90	120	A
Peak Surge Forward Current	I <sub>FSM</sub>	50Hz sine wave, Non-repetitive 1cycle peak value, Rating of per diode Tj=125	800	A
Mounting Torque	TOR		1.7	N·m

Electrical Characteristics (If not specified Tc=25 )

Item	Symbol	Conditions	Ratings	Units
Forward Voltage	V <sub>F</sub>	I <sub>F</sub> =60A, Pulse measurement, Rating of per diode	Max.0.58	V
Reverse Current	I <sub>R</sub>	V <sub>R</sub> =V <sub>RM</sub> , Pulse measurement, Rating of per diode	Max.40	mA
Junction Capacitance	C <sub>j</sub>	f=1MHz, V <sub>R</sub> =10V, Rating of per diode	TYP 2.1	nF
Thermal Resistance	jc	junction to case	Max.0.34	/W
	cf	case to heatsink, Mounting torque = 1.7N·m	Max.0.12	