

131,072-WORD BY 8-BIT CMOS STATIC RAM

DESCRIPTION

The TC558128AJ is a 1,048,576-bit high-speed static random access memory (SRAM) organized as 131,072 words by 8 bits. Fabricated using CMOS technology and advanced circuit techniques to provide high speed, it operates from a single 5 V power supply. There are two control inputs. Chip enable (CE) can be used to place the device in a low-power mode, and output enable (OE) provides fast memory access. This device is well suited to cache memory applications where high-speed access and high-speed storage are required. All inputs and outputs are directly TTL compatible. The TC558128AJ is available in a plastic 32-pin SOJ package (400 mil width) for high density surface assembly.

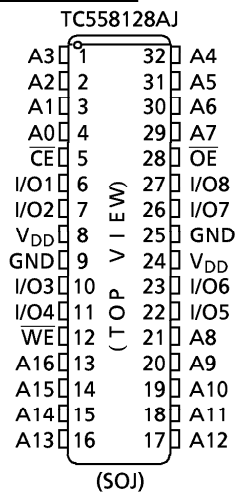
FEATURES

- Fast access time (the following are maximum values)
 - TC558128AJ-15: 15 ns
 - TC558128AJ-20: 20 ns
- Low-power dissipation (the following are maximum values)
 - Single power supply voltage of 5 V ± 10%.
 - Fully static operation
 - All inputs and outputs are TTL compatible
 - Output buffer control using OE
 - Package: SOJ32-P-400-1.27A (Weight: 1.22 g typ)

Cycle Time	15	20	25	30	50	ns
Operation (max)	170	140	130	120	100	mA

Standby: 1 mA (both devices)

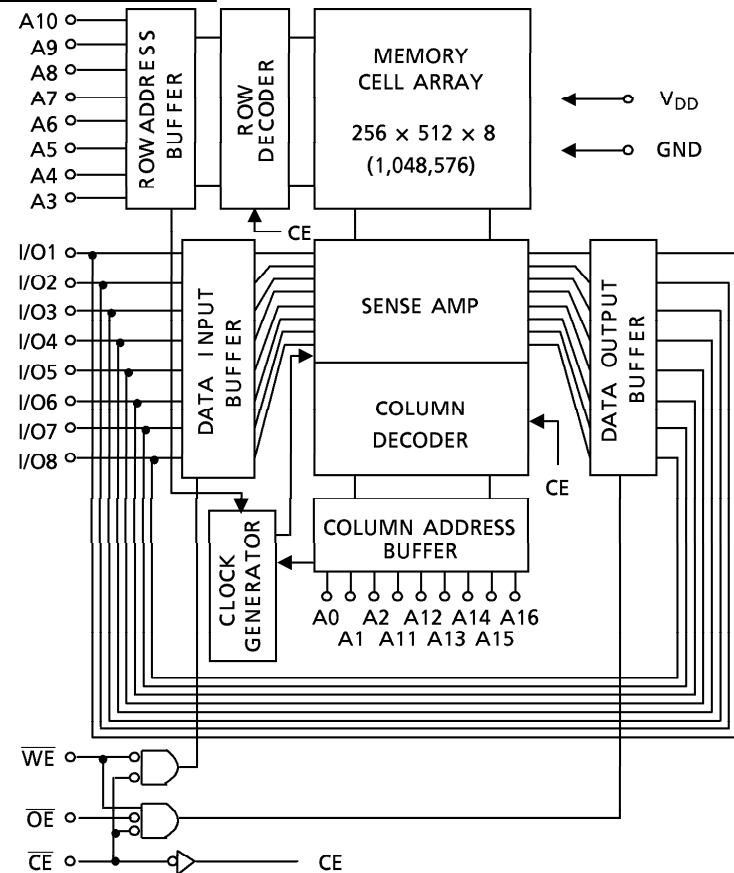
PIN ASSIGNMENT



PIN NAMES

A0 to A16	Address Inputs
I/O1 to I/O8	Data Inputs/Outputs
CE	Chip Enable
WE	Write Enable Input
OE	Output Enable
V _{DD}	Power (+ 5 V)
GND	Ground

BLOCK DIAGRAM



961001EBA1

- TOSHIBA is continually working to improve the quality and the reliability of its products. Nevertheless, semiconductor devices in general can malfunction or fail due to their inherent electrical sensitivity and vulnerability to physical stress. It is the responsibility of the buyer, when utilizing TOSHIBA products, to observe standards of safety, and to avoid situations in which a malfunction or failure of a TOSHIBA product could cause loss of human life, bodily injury or damage to property. In developing your designs, please ensure that TOSHIBA products are used within specified operating ranges as set forth in the most recent products specifications. Also, please keep in mind the precautions and conditions set forth in the TOSHIBA Semiconductor Reliability Handbook.
- The products described in this document are subject to foreign exchange and foreign trade control laws.
- The information contained herein is presented only as a guide for the applications of our products. No responsibility is assumed by TOSHIBA CORPORATION for any infringements of intellectual property or other rights of the third parties which may result from its use. No license is granted by implication or otherwise under any intellectual property or other rights of TOSHIBA CORPORATION or others.
- The information contained herein is subject to change without notice.

MAXIMUM RATINGS

SYMBOL	RATING	VALUE	UNIT
V _{DD}	Power Supply Voltage	- 0.5 to 7.0	V
V _{IN}	Input Terminal Voltage	- 2.0 * to 7.0	V
V _{I/O}	Input/Output Terminal Voltage	- 0.5 * to V _{DD} + 0.5	V
P _D	Power Dissipation	1.1	W
T _{solder}	Soldering Temperature (10 s)	260	°C
T _{strg}	Storage Temperature	- 65 to 150	°C
T _{opr}	Operating Temperature	- 10 to 85	°C

*: - 3 V with a pulse width of 10 ns

DC RECOMMENDED OPERATING CONDITIONS (Ta = 0° to 70°C)

SYMBOL	PARAMETER	MIN	TYP	MAX	UNIT
V _{DD}	Power Supply Voltage	4.5	5.0	5.5	V
V _{IH}	Input High Voltage	2.2	-	V _{DD} + 0.5	V
V _{IL}	Input Low Voltage	- 0.5 *	-	0.8	V

*: - 3 V with a pulse width of 10 ns

DC CHARACTERISTICS (Ta = 0° to 70°C, V_{DD} = 5 V ± 10%)

SYMBOL	PARAMETER	TEST CONDITION	MIN	TYP	MAX	UNIT	
I _{IL}	Input Leakage Current	V _{IN} = 0 V to V _{DD}	-	-	± 10	μA	
I _{LO}	Output Leakage Current	$\overline{CE} = V_{IH}$ or $\overline{WE} = V_{IL}$ or $\overline{OE} = V_{IH}$ V _{OUT} = 0 V to V _{DD}	-	-	± 10	μA	
I _{OH}	Output High Current	V _{OH} = 2.4 V	- 4	-	-	mA	
I _{OL}	Output Low Current	V _{OL} = 0.4 V	8	-	-	mA	
I _{DDO}	Operating Current	$\overline{CE} = V_{IL}$, I _{out} = 0 mA Other Inputs = V _{IH} or V _{IL}	t _{cycle} = 15 ns	-	-	170	mA
			t _{cycle} = 20 ns	-	-	140	
			t _{cycle} = 25 ns	-	-	130	
			t _{cycle} = 30 ns	-	-	120	
			t _{cycle} = 50 ns	-	-	100	
I _{DDS1}	Standby Current	$\overline{CE} = V_{IH}$, Other Inputs = V _{IH} or V _{IL}	-	-	30	mA	
I _{DDS2}		$\overline{CE} = V_{DD} - 0.2 V$ Other Inputs = V _{DD} - 0.2 V or 0.2 V	-	-	1		

CAPACITANCE ($T_a = 25^\circ\text{C}$, $f = 1.0\text{ MHz}$)

SYMBOL	PARAMETER	TEST CONDITION	MAX	UNIT
C_{IN}	Input Capacitance	$V_{IN} = \text{GND}$	6	pF
$C_{I/O}$	Input/Output Capacitance	$V_{I/O} = \text{GND}$	8	pF

Note: This parameter is periodically sampled and is not 100% tested.

OPERATING MODE

MODE	\overline{CE}	\overline{OE}	\overline{WE}	I/O1 to I/O8	POWER
Read	L	L	H	Output	I_{DDO}
Write	L	x	L	Input	I_{DDO}
Outputs Disable	L	H	H	High Impedance	I_{DDO}
Standby	H	x	x	High Impedance	I_{DDs}

x: Don't care

AC CHARACTERISTICS ($T_a = 0^\circ$ to 70°C (Note 1), $V_{DD} = 5\text{ V} \pm 10\%$)

READ CYCLE

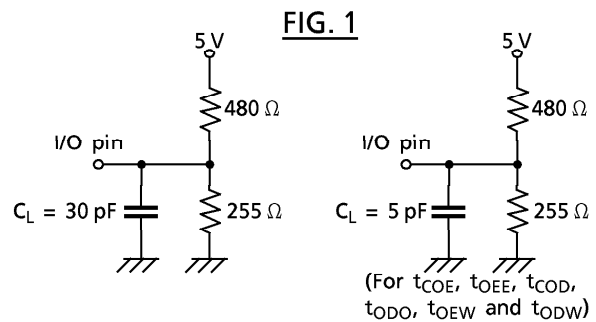
SYMBOL	PARAMETER	TC558128AJ-15		TC558128AJ-20		UNIT
		MIN	MAX	MIN	MAX	
t_{RC}	Read Cycle Time	15	-	20	-	ns
t_{ACC}	Address Access Time	-	15	-	20	
t_{CO}	Chip Enable Access Time	-	15	-	20	
t_{OE}	Output Enable Access Time	-	8	-	10	
t_{OH}	Output Data Hold Time from Address Change	5	-	5	-	
t_{COE}	Output Enable Time from Chip Enable	5	-	5	-	
t_{OEE}	Output Enable Time from Output Enable	1	-	1	-	
t_{COD}	Output Disable Time from Chip Enable	-	8	-	8	
t_{ODO}	Output Disable Time from Output Enable	-	8	-	8	

WRITE CYCLE

SYMBOL	PARAMETER	TC558128AJ-15		TC558128AJ-20		UNIT
		MIN	MAX	MIN	MAX	
t_{WC}	Write Cycle Time	15	-	20	-	ns
t_{WP}	Write Pulse Width	9	-	10	-	
t_{CW}	Chip Enable to End of Write	12	-	13	-	
t_{AW}	Address Valid to End of Write	12	-	13	-	
t_{AS}	Address Setup Time	0	-	0	-	
t_{WR}	Write Recovery Time	0	-	0	-	
t_{DS}	Data Setup Time	8	-	10	-	
t_{DH}	Data Hold Time	0	-	0	-	
t_{OEw}	Output Enable Time from Write Enable	1	-	1	-	
t_{ODw}	Output Disable Time from Write Enable	-	8	-	8	

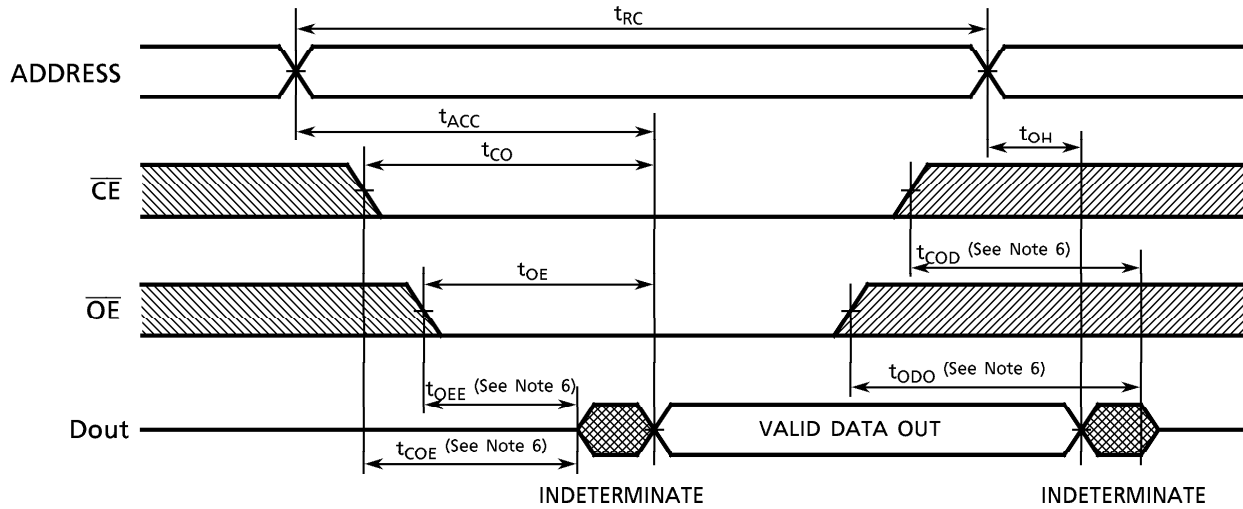
AC TEST CONDITIONS

Input Pulse Level	3.0 V, 0.0 V
Input Pulse Rise and Fall Time	3 ns
Input timing Measurement Reference Level	1.5 V
Output Timing Measurement Reference Level	1.5 V
Output Load	Fig. 1

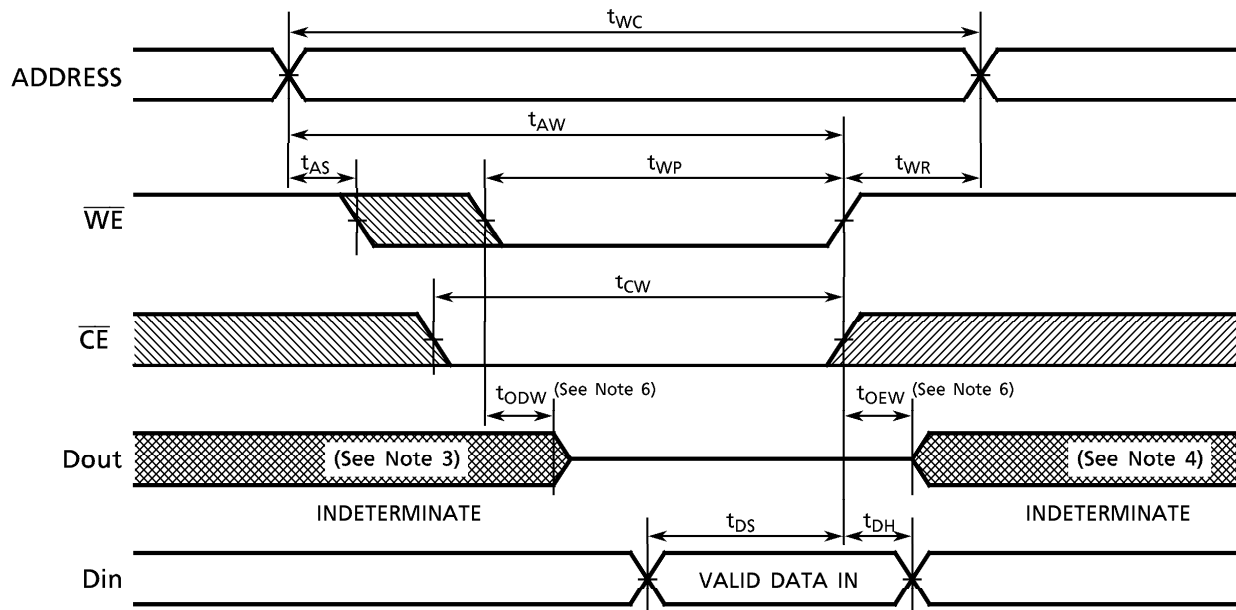


TIMING DIAGRAMS

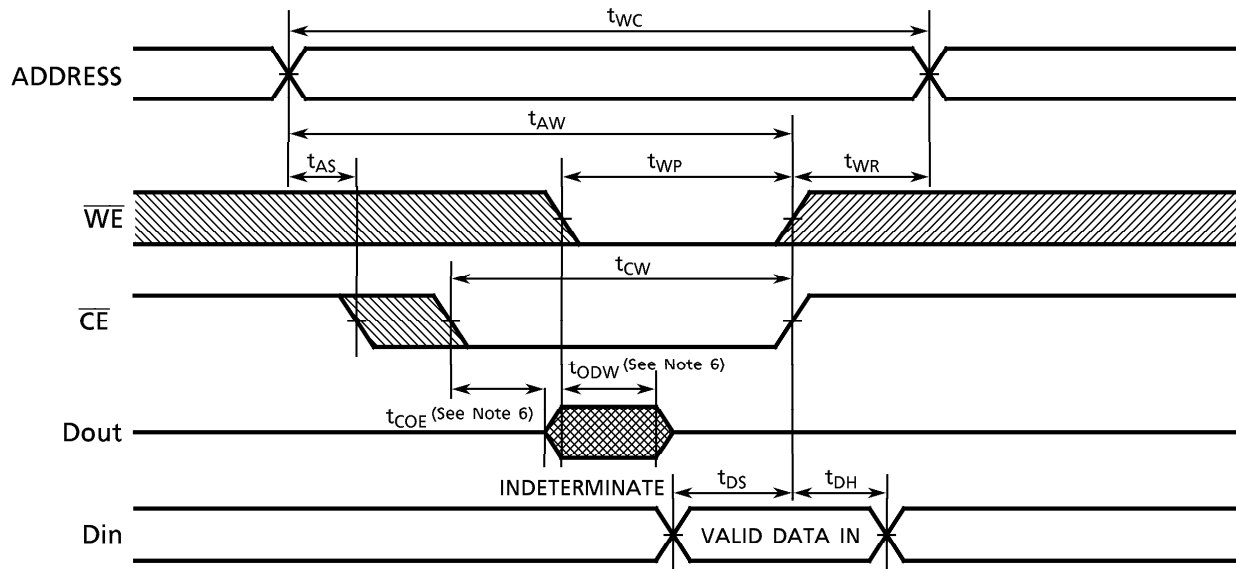
READ CYCLE (See Note 2)



WRITE CYCLE 1 (\overline{WE} CONTROLLED) (See Note 5)



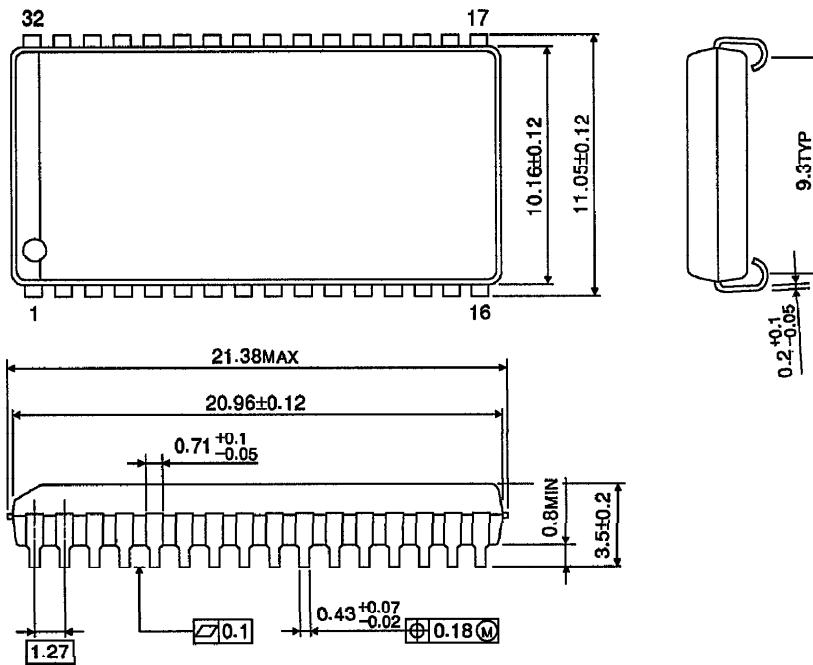
WRITE CYCLE 2 (\overline{CE} CONTROLLED) (See Note 5)



PACKAGE DIMENSIONS

Plastic SOJ (SOJ32-P-400-1.27A)

Units in mm



Weight: 1.22 g (typ)