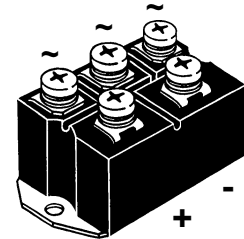
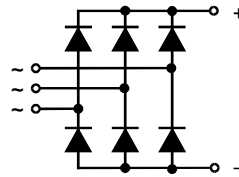


# Three Phase Rectifier Bridge

 $I_{dAV} = 63/88 \text{ A}$   
 $V_{RRM} = 800-1800 \text{ V}$ 

$V_{RSM}$ V	$V_{RRM}$ V	Type	
600	600	VUO 62-06NO7	VUO 82-06NO7
800	800	VUO 62-08NO7	VUO 82-08NO7
1200	1200	VUO 62-12NO7	VUO 82-12NO7
1400	1400	VUO 62-14NO7	VUO 82-14NO7
1600	1600	VUO 62-16NO7	VUO 82-16NO7
1800	1800	VUO 62-18NO7*	VUO 82-18NO7*



\* delivery time on request

Symbol	Test Conditions	Maximum Ratings			
		VUO 62	VUO 82		
$I_{dAV}$	$T_C = 110^\circ\text{C}$ , module	63	88	A	
$I_{dAV}$	$T_A = 45^\circ\text{C}$ ( $R_{thCA} = 0.6 \text{ K/W}$ ), module	48	57	A	
$I_{FSM}$	$T_{VJ} = 45^\circ\text{C}$ ; $V_R = 0$	$t = 10 \text{ ms}$ (50 Hz), sine	550	750	A
		$t = 8.3 \text{ ms}$ (60 Hz), sine	600	820	A
$I^2t$	$T_{VJ} = 45^\circ\text{C}$ $V_R = 0$	$T_{VJ} = T_{VJM}$ $t = 10 \text{ ms}$ (50 Hz), sine	500	670	A
		$t = 8.3 \text{ ms}$ (60 Hz), sine	550	740	A
$I^2t$	$T_{VJ} = 45^\circ\text{C}$ $V_R = 0$	$t = 10 \text{ ms}$ (50 Hz), sine	1520	2800	A <sup>2</sup> s
		$t = 8.3 \text{ ms}$ (60 Hz), sine	1520	2800	A <sup>2</sup> s
$T_{VJ}$			-40...+150	$^\circ\text{C}$	
			150	$^\circ\text{C}$	
$T_{VJM}$			-40...+125	$^\circ\text{C}$	
$T_{stg}$					
$V_{ISOL}$	50/60 Hz, RMS	$t = 1 \text{ min}$	2500	V~	
		$I_{ISOL} \leq 1 \text{ mA}$ $t = 1 \text{ s}$	3000	V~	
$M_d$	Mounting torque (M5) Terminal connection torque (M5)		$5 \pm 15 \%$	Nm	
			$5 \pm 15 \%$	Nm	
Weight	typ.		160	g	

### Features

- Package with screw terminals
- Isolation voltage 3000 V~
- Planar passivated chips
- Blocking voltage up to 1800 V
- Low forward voltage drop
- UL registered E72873

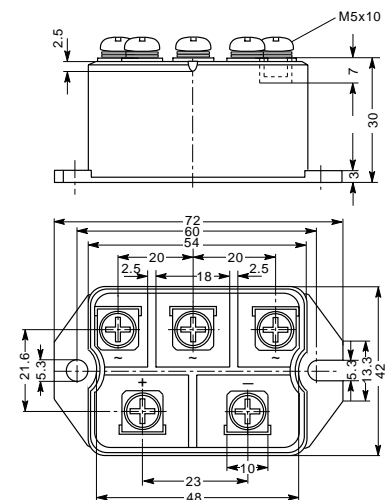
### Applications

- Supplies for DC power equipment
- Input rectifiers for PWM inverter
- Battery DC power supplies
- Field supply for DC motors

### Advantages

- Easy to mount with two screws
- Space and weight savings
- Improved temperature and power cycling

### Dimensions in mm (1 mm = 0.0394")



Symbol	Test Conditions	Characteristic Values		
		VUO 62	VUO 82	
$I_R$	$V_R = V_{RRM}$ ; $T_{VJ} = 25^\circ\text{C}$	$\leq 0.3$	0.3	mA
	$V_R = V_{RRM}$ ; $T_{VJ} = T_{VJM}$	$\leq 5$	5	mA
$V_F$	$I_F = 150 \text{ A}$ ; $T_{VJ} = 25^\circ\text{C}$	$\leq 1.8$	1.6	V
$V_{T0}$	For power-loss calculations only	0.8	0.8	V
$r_T$		8	5	m $\Omega$
$R_{thJC}$	per diode	1.45	1.1	K/W
	per module	0.24	0.183	K/W
$R_{thJH}$	per diode	1.87	1.52	K/W
	per module	0.31	0.253	K/W
$d_S$	Creeping distance on surface		10	mm
$d_A$	Creepage distance in air		9.4	mm
$a$	Max. allowable acceleration		50	m/s <sup>2</sup>

Data according to IEC 60747 and refer to a single diode unless otherwise stated.  
 IXYS reserves the right to change limits, test conditions and dimensions.