



AMERICAS

5810 Van Allen Way  
 Carlsbad, CA 92008  
 Telephone: 760-930-4600  
 Facsimile: 760-930-0698

EUROPE

Astec House, Waterfront Business Park  
 Merry Hill, Dudley  
 West Midlands, DY5 1LX, UK  
 Telephone: +44(0)1384-842211  
 Facsimile: +44(0)1384-843355

ASIA

Units 2111-2116, Level 21  
 Tower 1, Metroplaza  
 223, Hing Fong Road  
 Fwai Fong, New Territories  
 Hong Kong  
 Telephone: 852-2437-9662  
 Facsimile: 852-2402-4426



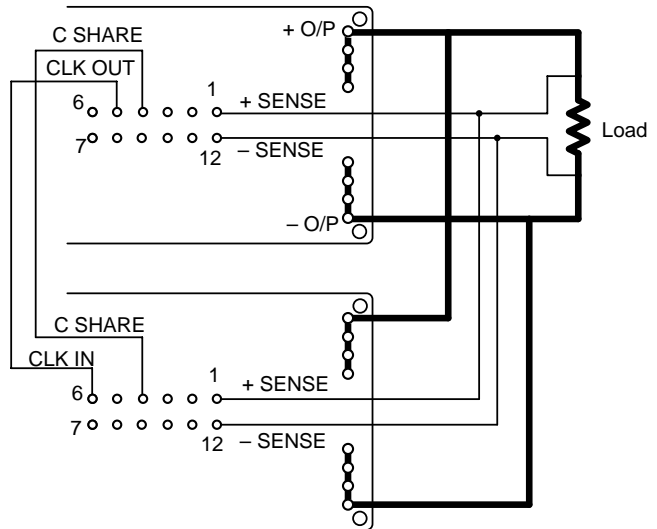
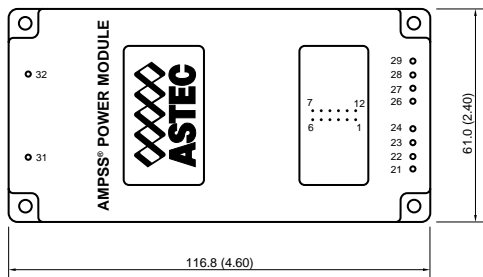
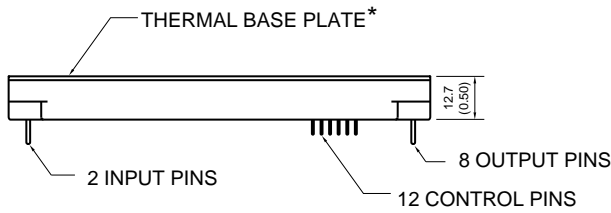
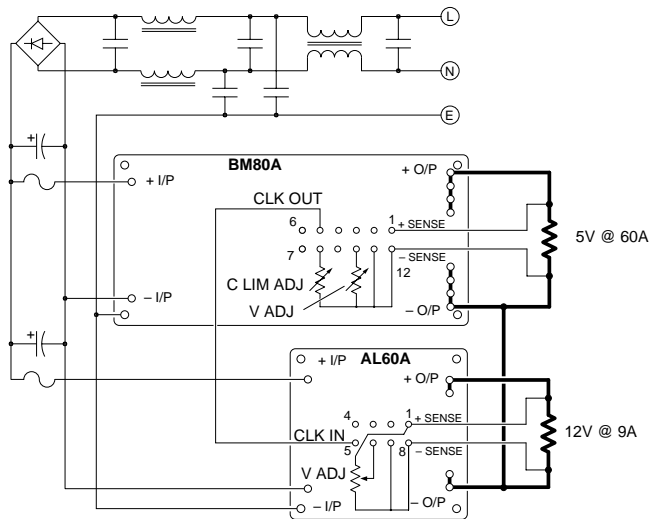
BM80A

Ordering Information

Input Voltage	Output Voltage	Output Current	Model Number	Input Voltage	Output Voltage	Output Current	Model Number
300V	5V	60A	BM80A-300L-050F60	48V	5V	60A	BM80A-048L-050F60
300V	3.3V	70A	BM80A-300L-033F70	48V	3.3V	70A	BM80A-048L-033F70
300V	2.2V	75A	BM80A-300L-022F75				
300V	2.2V	85A	BM80A-300L-022F85				
300V	3.3V	90A	BM80A-300L-033F90				

Pin Assignments

Input	Output	Control Pins
31. +ve	21.	1. +SENSE
32. -ve	22.	2. TEMP MON
	23.	3. C MON
	24.	4. C SHARE
	26.	5. CLK OUT
	27.	6. CLK IN
	28.	7. PG/ID
	29.	8. C LIM ADJ
		9. OVP ADJ
		10. V ADJ
		11. ENABLE
		12. -SENSE



Parallel Connections

Dimensions

Connection example for a 400W dual output power supply using BM80A 300W and AL60A 100W modules

Astec Integrated Power