

STARJACK™

1x1 Tab-DOWN RJ45



www.pulseeng.com

Description:

10/100 Base-TX RJ45 1x1 Tab-DOWN 8-pin Integrated Magnetics Connector, designed to support high volume cost-conscious consumer applications such as: ADSL modems, Cable modems, STB and Video on Demand.



Features and Benefits:

- Ⓜ RoHS-5 peak wave solder temperature rating 235°C
- Ⓜ RoHS-6 peak wave solder temperature rating 260°C
- Ⓜ Suitable for CAT 5 & 6 Fast Ethernet Cable or better UTP

Electrical Performance Summary:

- Ⓜ Meets IEEE 802.3 specification
- Ⓜ 350µH minimum OCL with 8mA bias current
- Ⓜ High performance for Max EMI suppression for cost-conscious applications

10 Base-T Electrical Specifications @ 25°C — Operating Temperature 0°C to +70°C

RoHS-5 ⁴ Compliant Part No.	RoHS-6 ⁵ Compliant Part No.	Data Rate	Turns Ratios		EMI ¹ Fingers	LEDs ² (L/R)	BST	Insertion Loss (dB MAX) 1-10MHz	Return Loss (dB MIN) 100Ω ±15Ω 1-10MHz	Crosstalk (dB MIN) 1-10MHz	Common Mode Rejection (dB MIN) 5MHz	Hipot (Vrms) @60Hz 1 MIN
			TX	RX								
J00-0025 ³	J00-0025 NL ³	10BT	1CT:2.5	1CT:1	Yes	None	No	-1	-15	-30	-25	1500
J00-0051 ³	J00-0051NL ³	10BT	1CT:2.5	1CT:1	Yes	G/Y	No	-1	-15	-30	-25	1500
J00-0062 ³	J00-0062 NL ³	10BT	1CT:2.5	1CT:1	No	None	No	-1	-15	-30	-25	1500
J00-0063 ³	J00-0063NL ³	10BT	1CT:2.5	1CT:1	No	G/Y	No	-1	-15	-30	-25	1500

10/100 Base-T Electrical Specifications @ 25°C — Operating Temperature 0°C to +70°C

RoHS-5 ⁴ Compliant Part No.	RoHS-6 ⁵ Compliant Part No.	Data Rate	Turns Ratios		EMI ¹ Fingers	LEDs ² (L/R)	BST	Insertion Loss (dB MAX)	Return Loss (dB MIN) 100Ω ±15Ω				Crosstalk (dB MIN)			Common Mode Rejection (dB MIN)		Hipot (Vrms) @60Hz 1 MIN	
			TX	RX					1-65MHz	1-10MHz	10-30MHz	30-60MHz	60-80MHz	1-30MHz	30-60MHz	60-100MHz	1-50MHz		50-150MHz
J00-0014	J00-0014NL	100BT	1CT:1	1CT:1	No	None	Yes	-1	-18	-14	-12	-10	-35	-35	-30	-20	-15	1500	
J00-0042	J00-0042NL	100BT	1CT:1	1CT:1	No	None	No	-1	-18	-14	-12	-10	-35	-35	-30	-20	-15	1500	
J00-0045	J00-0045NL	100BT	1CT:1	1CT:1	No	G/Y	Yes	-1	-18	-14	-12	-10	-35	-35	-30	-20	-15	1500	
J00-0046	J00-0046NL	100BT	1CT:1	1CT:1	No	G/Y	No	-1	-18	-14	-12	-10	-35	-35	-30	-20	-15	1500	
J00-0061	J00-0061NL	100BT	1CT:1	1CT:1	Yes	None	Yes	-1	-18	-14	-12	-10	-35	-35	-30	-20	-15	1500	
J00-0064	J00-0064NL	100BT	1CT:1	1CT:1	Yes	None	No	-1	-18	-14	-12	-10	-35	-35	-30	-20	-15	1500	
J00-0065	J00-0065NL	100BT	1CT:1	1CT:1	Yes	G/Y	Yes	-1	-18	-14	-12	-10	-35	-35	-30	-20	-15	1500	
J00-0066	J00-0066NL	100BT	1CT:1	1CT:1	Yes	G/Y	No	-1	-18	-14	-12	-10	-35	-35	-30	-20	-15	1500	

NOTES:

1. For an explanation of EMI fingers, refer to the mechanical drawing page.
2. LEDs Left/Right: G=green, Y=yellow.
3. IEEE802.3i (10Base-T) standard does not require these parts to achieve 350µH minimum OCL with 8mA bias current for 10Base-T parts.
4. RoHS-5 - Product does not contain 5 out of the 6 banned substances specified in the RoHS directive. Product contains lead in applications considered as solders.
5. RoHS-6 - Product does not contain 5 out of the 6 banned substances specified in the RoHS directive. Some internal connections may contain lead in high temperature solder (solder alloys containing more than 85% lead).

RJ45 Durability Testing Rating

Part Number	Mating Force (MAX)	Unmating Force (MAX)	Durability	Plug to Jack Retention (MIN)
J00 Series	5lbs./2.268kgs.	5lbs./2.268kgs.	750 Insertions	20lbs./9.072kgs.

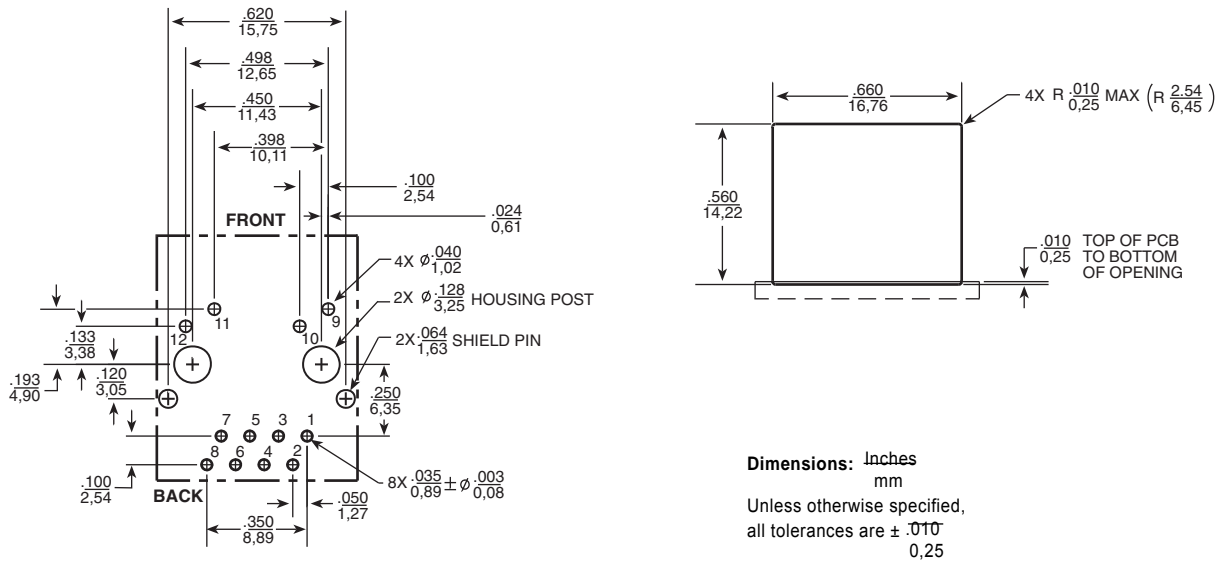
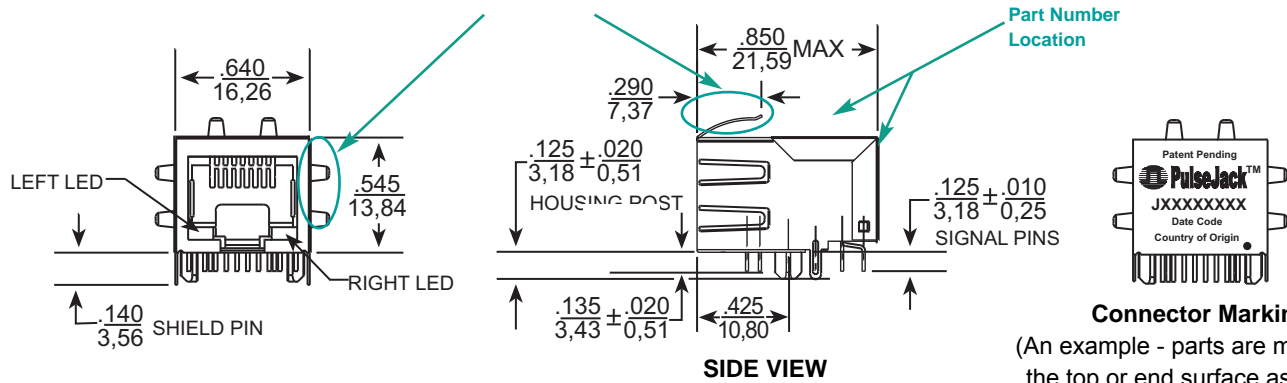
RJ45 Material Specification

Part Number	Shield		Contact			Housing		MSL ² Rating
	Material	Finish	Material	Plating Area	Solder Area ³	Material	Specification	
J00 Series	Brass	20-40m inches Nickel over 10-20m inches Brass	Phosphor Bronze	Nickel underplating and selective gold plating 15µ inches	120µ inches Sn90/Pb10 over 50µ inches nickel	Thermoplastic	UL 94 V-0	1

- NOTES: 1. Connector dimensions comply with FCC dimension requirements. 3. RoHS-6 parts are tin matte finish over nickel.
2. MSL - Moisture Sensitivity Level class limits = 1 to 5 (Highest: 1; Lowest: 5).

USA 858 674 8100 • Germany 49 7032 7806 0 • Singapore 65 6287 8998 • Shanghai 86 21 32181071 • China 86 755 33966678 • Taiwan 886 3 4643715

J00-00XX Series Mechanicals



LED Configuration

Green / Yellow LED Specification - (LEDs without internal resistors)

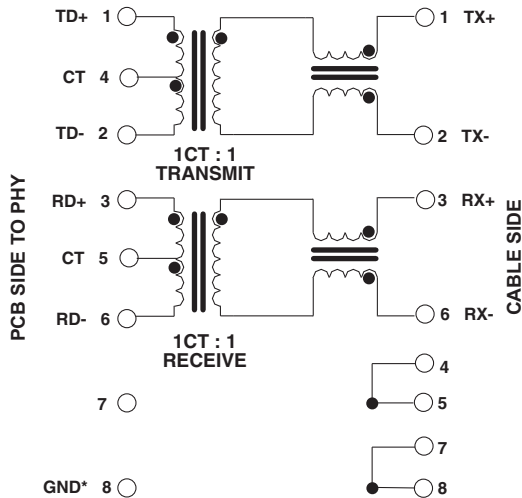


Standard LED	Wavelength	Forward* V(MAX)	(TYP)
Yellow	585 nm	2.5 V	2.1 V
Green	565 nm	2.5 V	2.2 V

* Assumes bias current = 20mA

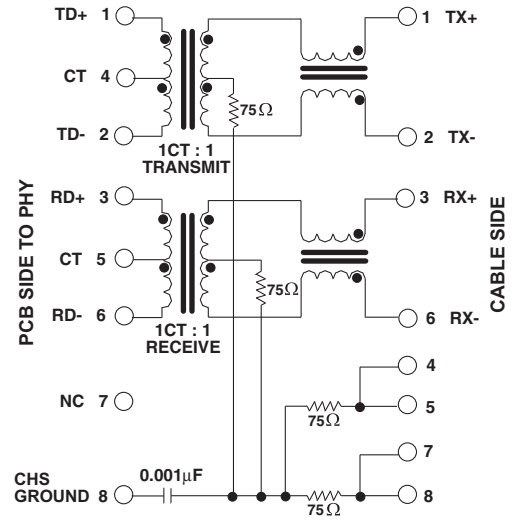
J00-00XX Series Electrical Schematics

J00-0042/46/64/66



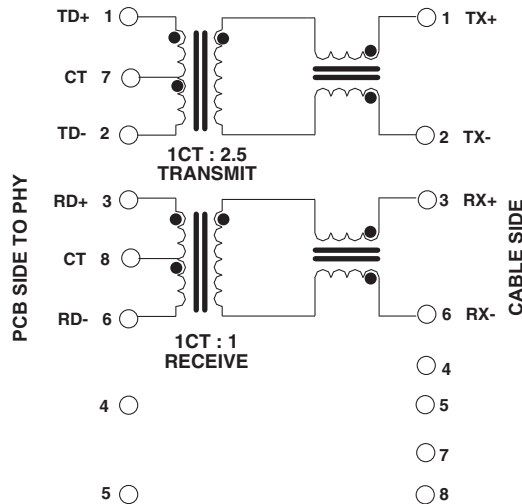
*Connecting pin 8 to Ground makes J00-0042/46/64/66 footprint compatible to J00-0014/45/61/65.

J00-0014/45/61/65



NOTE: Connect CHS GND to PCB ground.

J00-0025/51/62/63



For More Information:

Pulse Worldwide Headquarters

12220 World Trade Dr.
San Diego, CA 92128
U.S.A.

www.pulseeng.com

Pulse European Headquarters

Einsteinstrasse 1
D-71083 Herrenberg
Germany

TEL: 49 7032 7806 0
FAX: 49 7032 7806 12

Pulse China Headquarters

B402, Shenzhen Academy of
Aerospace Technology Bldg.
10th Kejian Rd.
High-Tech Zone
Nanshan District
Shenzhen, PR China 518057

TEL: 86 755 33966678
FAX: 86 755 33966700

Pulse North China

Room 1503
XinYin Building
No. 888 YiShan Rd.
Shanghai 200233
China

TEL: 86 21 32181071
FAX: 86 21 32181396

Pulse South Asia

150 Kampong Ampat
#07-01/02
KA Centre
Singapore 368324

TEL: 65 6287 8998
FAX: 65 6280 0080

Pulse North Asia

No. 26
Kao Ching Rd.
Yang Mei Chen
Taoyuan Hsien
Taiwan, R. O. C.
32667

TEL: 886 3 4643715
FAX: 886 3 4641911

Performance warranty of products offered on this data sheet is limited to the parameters specified. Data is subject to change without notice. Other brand and product names mentioned herein may be trademarks or registered trademarks of their respective owners. © Copyright, 2008. Pulse Engineering, Inc. All rights reserved.