

LM2687

Low Noise Regulated Switched Capacitor Voltage Inverter

General Description

The LM2687 CMOS Negative Regulated Switched Capacitor Voltage Inverter delivers a very low noise adjustable output for an input voltage in the range of +2.7V to +5.5V. Four low cost capacitors are used in this circuit to provide up to 10mA of output current. The regulated output for the LM2687 is adjustable between -1.5V and -5.2V. The LM2687 operates at 100 kHz (typical) switching frequency to reduce output resistance and voltage ripple. With an operating current of only 500 μ A (charge pump power efficiency greater than 90% with most loads) and 0.05 μ A typical shutdown current, the LM2687 provides ideal performance for cellular phone power amplifier bias and other low current, low noise negative voltage needs. The device comes in a small 8-pin MSOP or LLP package.

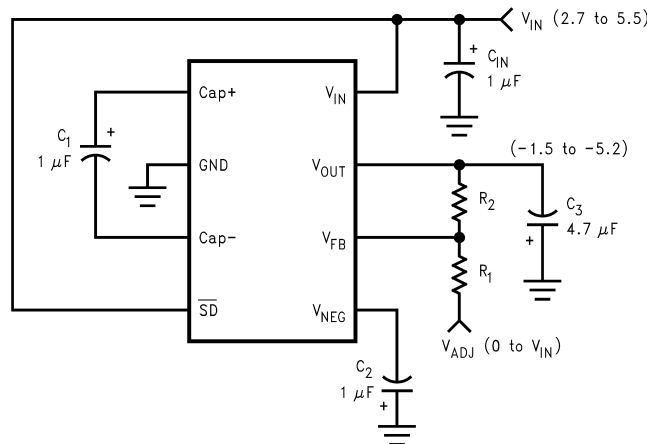
Features

- Inverts and regulates the input supply voltage
- Small MSOP-8 or LLP-8 package
- 91% typical charge pump power efficiency at 10mA
- Low output ripple (1mV typical)
- Shutdown lowers Quiescent current to 0.05 μ A (typical)

Applications

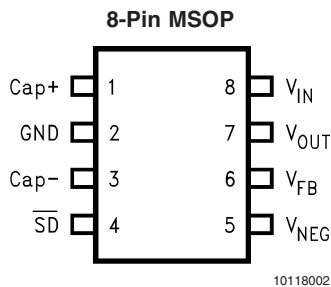
- Wireless Communication Systems
- Cellular Phone Power Amplifier Biasing
- Interface Power Supplies
- Handheld Instrumentation
- Laptop Computers and PDA's

Typical Application Circuit

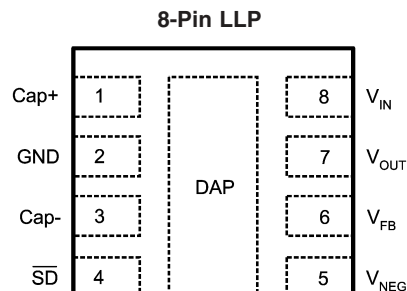


10118001

Connection Diagrams



10118002



10118025

Ordering Information for MSOP Package

Device Order Number	Package Number	Package Marking*	Supplies As
LM2687MM	MUA08A	S12A	Tape and Reel (1000 units/reel)
LM2687MMX	MUA08A	S12A	Tape and Reel (3500 units/reel)

Ordering Information for LLP Package

Device Order Number	Package Number	Package Marking*	Supplies As
LM2687LD	LDA08A	L050B	Tape and Reel (1000 units/reel)
LM2687LDX	LDA08A	L050B	Tape and Reel (3500 units/reel)

Note: * The small physical sizes of the MSOP-8 and LLP-8 packages do not allow for the full part number marking. Devices will be marked with the designation shown in the column Package Marking.

Pin Description

Pin No.	Name	Function
1	Cap+	Positive terminal for C_1 .
2	GND	Ground.
3	Cap-	Negative terminal for C_1 .
4	\overline{SD}	Active low, logic-level shutdown input.
5	V_{NEG}	Negative unregulated output voltage.
6	V_{FB}	Feedback input. Connect V_{FB} to an external resistor divider between V_{OUT} and a positive adjust voltage V_{ADJ} ($0 \leq V_{ADJ} \leq V_{IN}$). DO NOT leave unconnected.
7	V_{OUT}	Regulated negative output voltage.
8	V_{IN}	Positive power supply input.
DAP	Die Attach Pad	LLP package only. Connect this pad to V_{NEG} .

Absolute Maximum Ratings (Note 1)

If Military/Aerospace specified devices are required, please contact the National Semiconductor Sales Office/Distributors for availability and specifications.

Supply Voltage (V_{IN} to GND or GND to OUT)	+ 5.8V
\overline{SD}	(GND – 0.3V) to ($V_{IN} + 0.3V$)
V_{NEG} and V_{OUT} Continuous Output Current	10mA
V_{OUT} Short-Circuit Duration to GND (Note 2)	1 sec.
Continuous Power Dissipation ($T_A = 25^\circ\text{C}$) (Note 3)	600mW

T_{JMAX} (Note 3)	150°C
θ_{JA} (Note 3)	250°C/W
Operating Input Voltage Range	2.7V to 5.5V
Operating Output Current Range	0mA to 10mA
Operating Ambient Temp. Range	-40°C to 85°C
Operating Junction Temp. Range	-40°C to 110°C
Storage Temperature	-65°C to 150°C
Lead Temp. (Soldering, 10 sec.)	300°C
ESD Rating (Note 4)	2kV

Electrical Characteristics

Limits with standard typeface apply for $T_J = 25^\circ\text{C}$, and limits in **boldface type** apply over the full temperature range. Unless otherwise specified $V_{IN} = 3.6V$, $C_1 = C_2 = 1\mu\text{F}$, $C_3 = 10\mu\text{F}$.

Symbol	Parameter	Conditions	Min	Typ	Max	Units
I_Q	Supply Current	Open Circuit, No Load		500	950	μA
I_{SD}	Shutdown Supply Current			0.05	1	μA
F_{SW}	Switching Frequency (Note 5)	$2.7V \leq V_{IN} \leq 5.5V$ $V_{IN} = 3.6V$	50 60	110 105	180 170	kHz
η_{POWER}	Power Efficiency at V_{NEG}	$I_L = 3.6\text{mA}$ $I_L = 10\text{mA}$		94 91		%
T_{START}	Start Up time	(Note 6)		120	600	μs
R_{NEG}	Output Resistance to V_{NEG}	(Note 7)		30		Ω
V_R	Output Voltage Ripple (Note 8)	$I_L = 2.5\text{mA}$, $V_{OUT} = -2.7V$ $I_L = 10\text{mA}$, $V_{OUT} = -3.8V$		1 2		mV
V_{FB}	Feedback Pin Reference Voltage	$I_L = 2.5\text{mA}$ (Note 9)	-1.25	-1.20	-1.15	V
V_{OUT}	Adjustable Output Voltage	$5.5V \geq V_{IN} \geq 2.7V$, $2.5\text{mA} \geq I_L$ $5.5V \geq V_{IN} \geq 3.0V$, $10\text{mA} \geq I_L \geq 0\text{mA}$	- ($V_{IN} - 0.3V$) - ($V_{IN} - 1.2V$)			V
	Load Regulation	0 to 10mA, $V_{OUT} = -2.4V$		5		mV/mA
	Line Regulation	$5.5V \geq V_{IN} \geq 2.7V$, $I_L = 2.5\text{mA}$		1		mV/V
V_{IH}	Shutdown Pin Input Voltage High	$5.5V \geq V_{IN} \geq 2.7V$	2.2			V
V_{IL}	Shutdown Pin Input Voltage Low	$5.5V \geq V_{IN} \geq 2.7V$			0.5	V

Note 1: Absolute Maximum Ratings indicate limits beyond which damage to the device may occur. Electrical specifications do not apply when operating the device beyond its rated operating conditions.

Note 2: OUT may be shorted to GND for one second without damage. However, shorting OUT to V_{IN} may damage the device and must be avoided. Also, for temperatures above $T_A = 85^\circ\text{C}$, OUT must not be shorted to GND or V_{IN} or device may be damaged.

Note 3: The maximum power dissipation must be de-rated at elevated temperatures and is limited by T_{JMAX} (maximum junction temperature), T_A (ambient temperature) and θ_{JA} (junction-to-ambient thermal resistance). The maximum power dissipation at any temperature is:

$$PD_{Diss_MAX} = (T_{JMAX} - T_A) / \theta_{JA} \text{ up to the value listed in the Absolute Maximum Ratings.}$$

Note 4: Rating is for the human body model, a 100pF capacitor discharged through a 1.5 k Ω resistor into each pin.

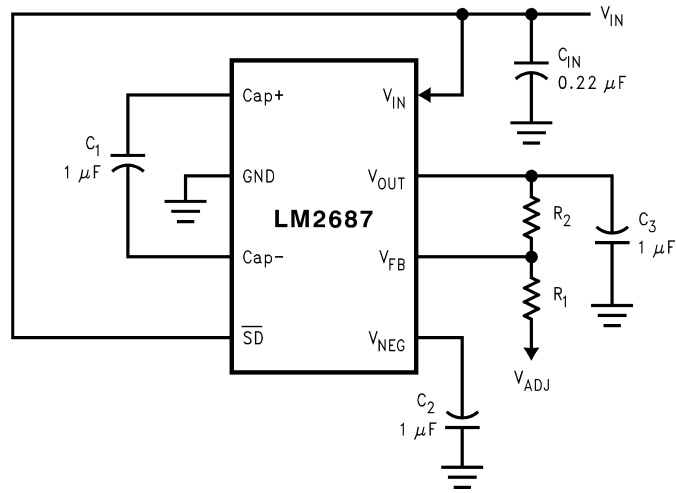
Note 5: The output switches operate at one half the oscillator frequency, $f_{OSC} = 2f_{SW}$.

Note 6: All capacitors are 1 μF .

Note 7: Current drawn from V_{NEG} pin decreases power efficiency and will increase output voltage ripple.

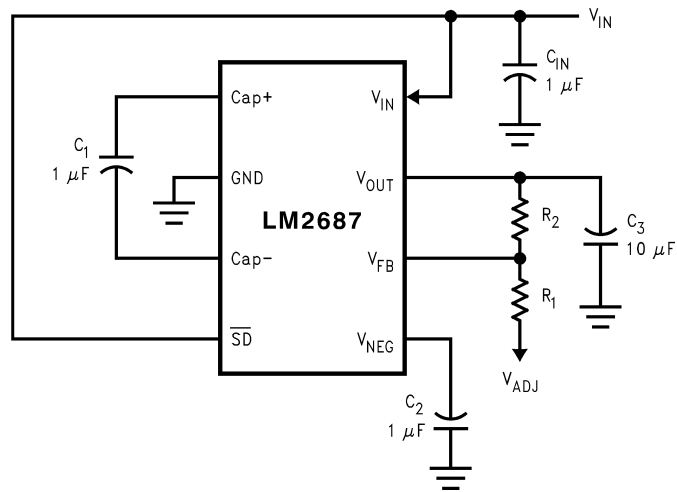
Note 8: In the test circuit, capacitors C_1 and C_2 are 1 μF , $C_3 = 10\mu\text{F}$, 0.30 Ω maximum ESR capacitors. Capacitors with higher ESR will increase output resistance, increase output voltage ripple, and reduce efficiency.

Note 9: The feedback resistors R1 and R2 are 200k Ω resistors.



10118021

FIGURE 1. Standard Application Circuit for Minimum Capacitance Values

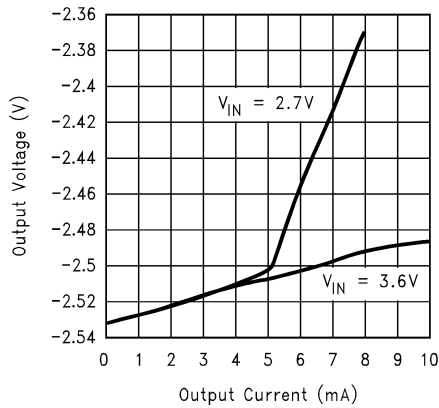


10118022

FIGURE 2. Standard Application Circuit for Low Output Noise

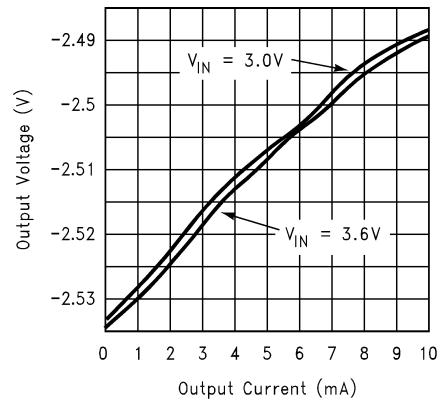
Typical Performance Characteristics Unless otherwise specified, $T_A = 25^\circ\text{C}$, $V_{OUT} = -2.5\text{V}$.

Output Voltage vs. Output Current
Figure 2



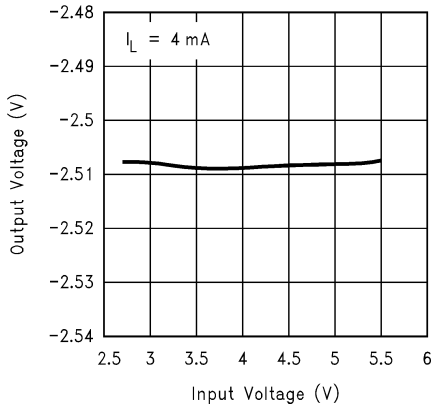
10118004

Output Voltage vs. Output Current
Figure 1



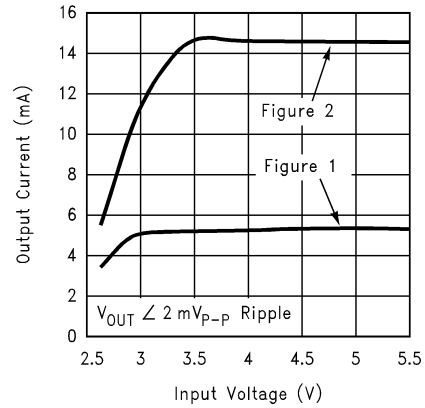
10118005

Output Voltage vs. Input Voltage



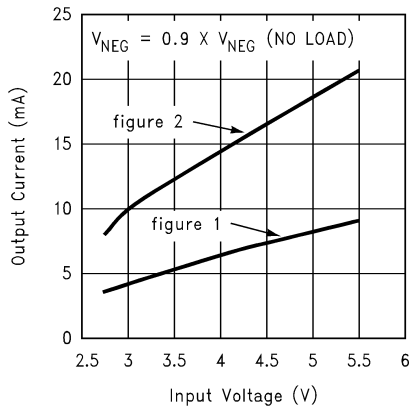
10118006

Maximum Output Current vs. Input Voltage



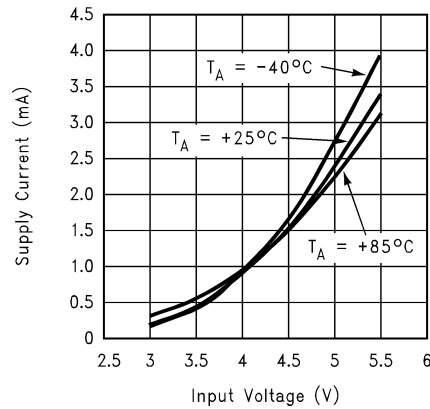
10118007

Maximum V_{NEG} Current vs. Input Voltage



10118008

No Load Supply Current vs. Input Voltage



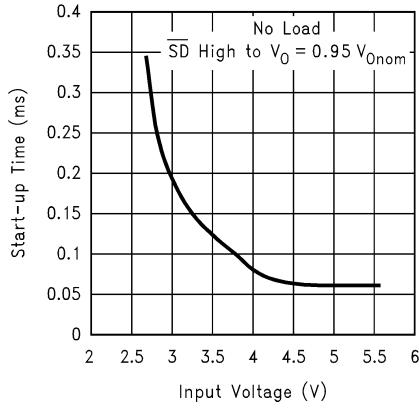
10118009

Typical Performance Characteristics

Unless otherwise specified, $T_A = 25^\circ\text{C}$,

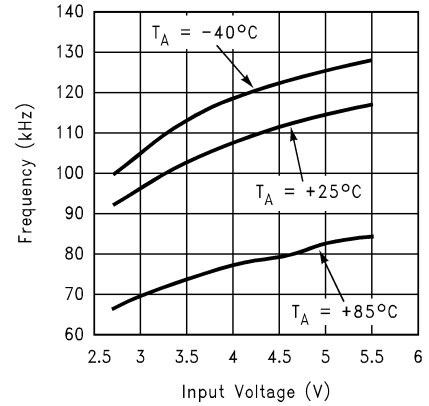
$V_{OUT} = -2.5\text{V}$. (Continued)

Start-Up Time vs. Input Voltage
Figure 1



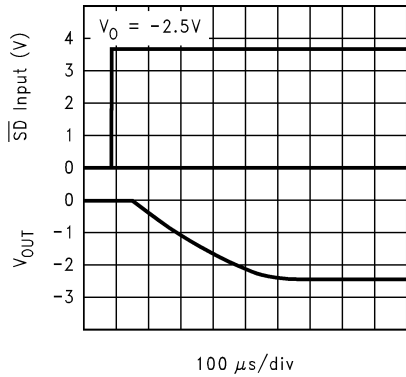
10118010

Switching Frequency vs. Input Voltage



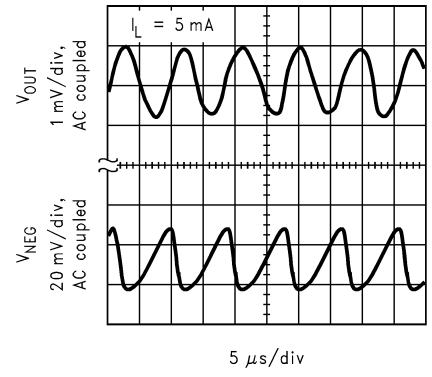
10118011

Start-Up from Shutdown (no load)
Figure 2



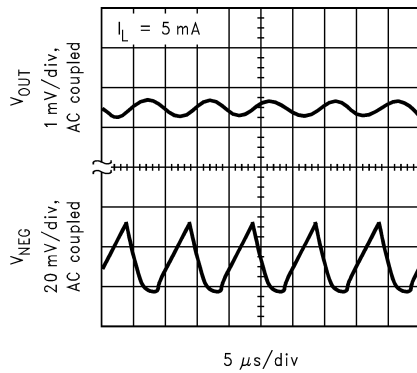
10118012

Output Ripple
Figure 1



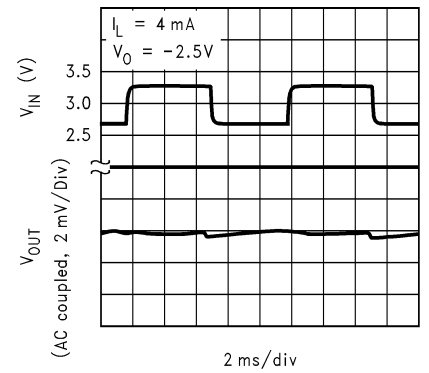
10118013

Output Ripple
Figure 2



10118014

Line Transient Response



10118017

Typical Performance Characteristics

Unless otherwise specified, $T_A = 25^\circ\text{C}$,
 $V_{\text{OUT}} = -2.5\text{V}$. (Continued)

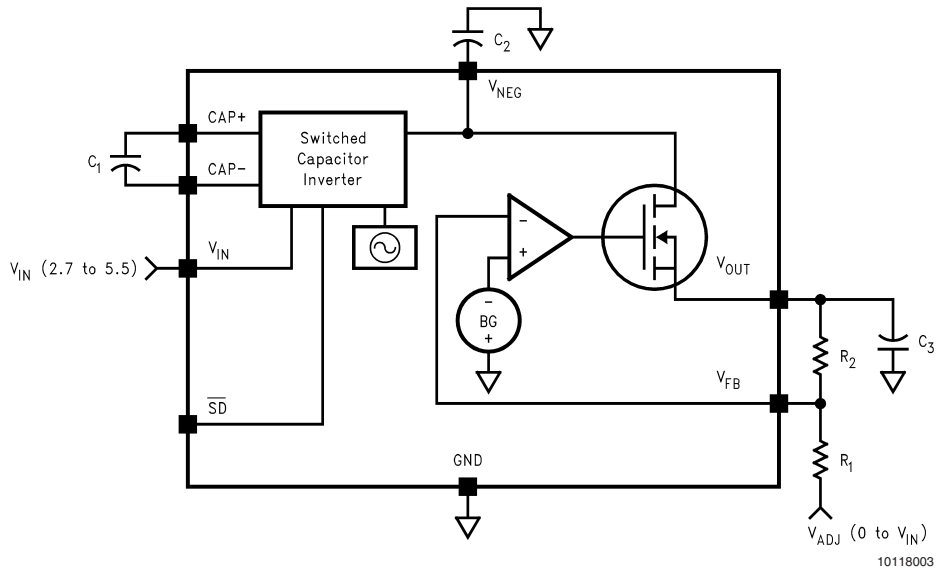
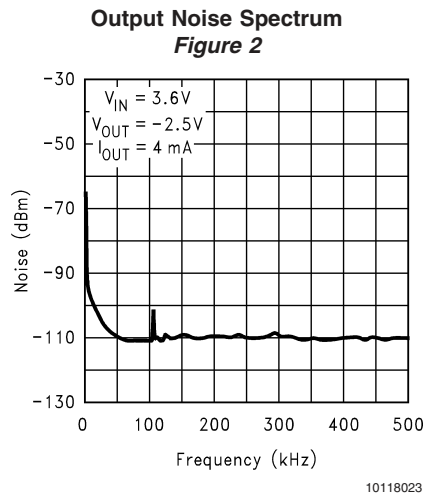
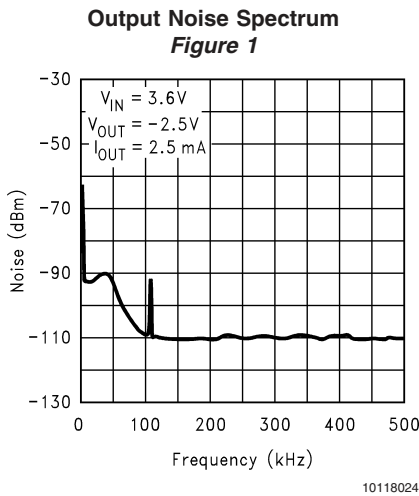
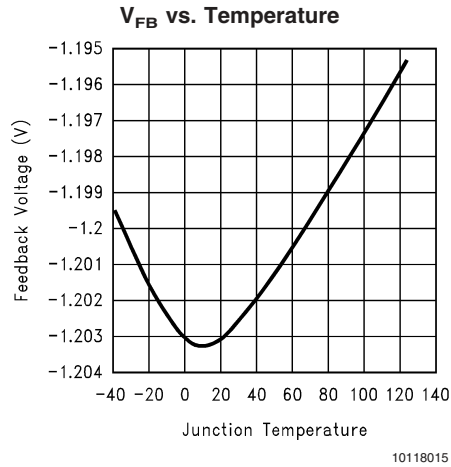
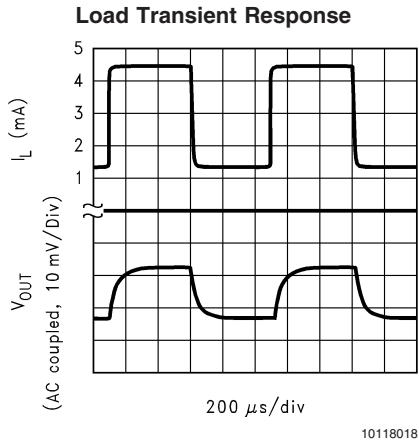


FIGURE 3. Functional Block Diagram

Device Description

The LM2687 is an inverting, regulated charge-pump power converter. It features low noise, small physical size, and is simple to use. It is an ideal solution for biasing GaAsFET devices such as power amplifier modules found in portable devices and cellular phones.

A switched capacitor charge-pump circuit is used to invert the input voltage V_{IN} to its corresponding negative value which is seen at V_{NEG} . This voltage is regulated by a low dropout linear regulator at V_{OUT} (Figure 3). The output voltage can be regulated anywhere from $-1.5V$ to $-5.2V$ and is determined by a pair of feedback resistors (see Setting the Output Voltage). The PSRR of the linear regulator reduces the output voltage ripple produced by the charge-pump inverter to $1mV_{P-P}$ (typical) at the output V_{OUT} . The regulator also attenuates noise from the incoming supply due to its high PSRR.

Shutdown

The LM2687 features a logic-level shutdown feature. The function is active-low and will reduce the supply current to $0.05\mu A$ (typical) when engaged. When shutdown is active V_{OUT} and V_{NEG} are switched to ground.

Application Information

SETTING THE OUTPUT VOLTAGE

The output voltage on the LM2687 is set by using a resistor divider between the output, the feedback pin, and an arbitrary voltage V_{ADJ} (Figure 3). V_{ADJ} can range from GND to any positive voltage up to V_{IN} . V_{ADJ} is usually chosen to be GND and should not be connected to a different voltage unless it is well regulated so the output will stay constant. The feedback pin is held at a constant voltage V_{FB} which equals $-1.2V$. The output voltage can be selected using the equation:

$$V_{OUT} = \frac{R_2}{R_1} (V_{FB} - V_{ADJ}) + V_{FB}$$

The current into the feedback pin I_{FB} is in the range of $10nA$ to $100nA$. Therefore using a value of $500k\Omega$ or smaller for R_1 should make this current of little concern when setting the output voltage. For best accuracy, use resistors with 1% or better tolerance.

CAPACITOR SELECTION

Selecting the right capacitors for your circuit is important. The capacitors affect the output resistance of the charge-pump, the output voltage ripple, and the overall dropout voltage ($V_{IN}-|V_{OUT}|$) of the circuit. The output resistance of the charge-pump inverter is:

$$R_{NEG} = R_{SW} + 4ESR_{C1} + ESR_{C2} + \frac{1}{f_{SW} \times C1}$$

The switching frequency is fixed at $100kHz$ and R_{SW} (the combined resistance of the internal switches) is typically 10Ω . It is clear from this equation that low ESR capacitors are desirable and that larger values of C_1 will further reduce the output resistance. The output resistance of the entire circuit (in dropout) is:

$$R_{OUT} = R_{NEG} + R_{regulator}$$

$R_{regulator}$ (the output impedance of the linear regulator) is approximately 10Ω . When the circuit is in regulation, the overall output resistance is equal to the linear regulator load regulation ($5mV/mA$). The dropout voltage is therefore affected by the capacitors used since it is simply defined as $I_{OUT} \times R_{OUT}$.

A larger value of capacitor and lower ESR for C_2 will lower the output voltage ripple of the charge-pump. This ripple will then be subject to the PSRR of the linear regulator and reduced at V_{OUT} . A larger value and lower ESR for C_3 will further reduce this ripple.

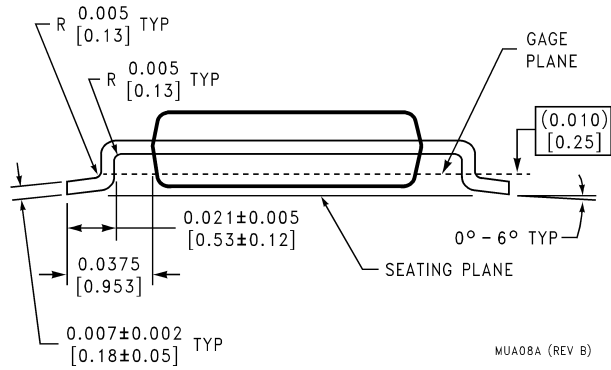
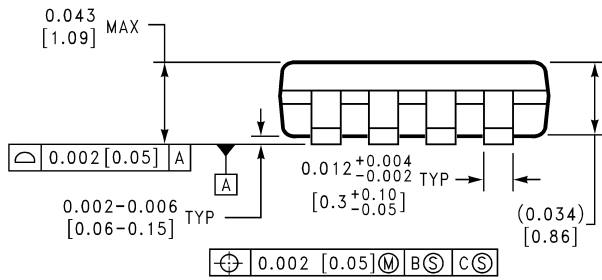
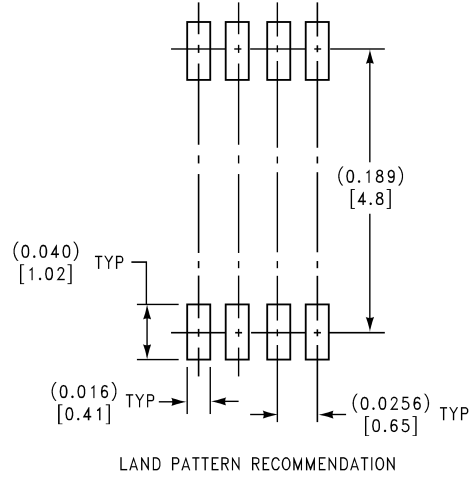
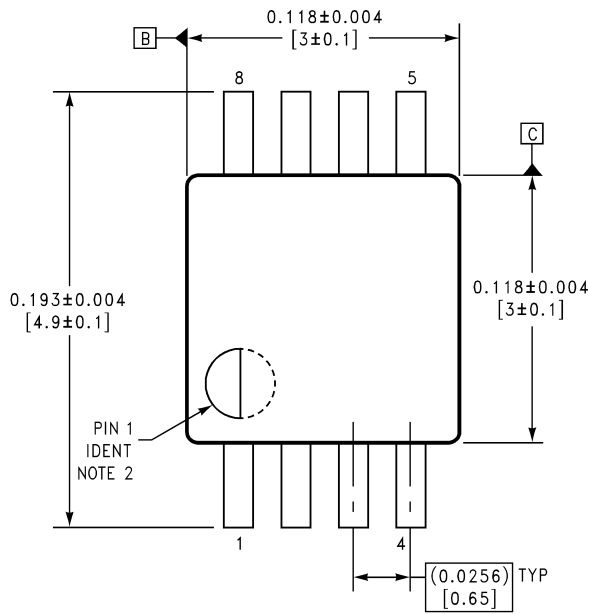
The Low Dropout Linear Regulator uses an N-channel FET device which behaves similarly to an NPN device. Because of this and the internal compensation there are no strict ESR requirements for the output capacitor to maintain stability. Using the minimum recommended values will ensure stability under all conditions.

In summation, larger value capacitors with lower ESR will give the lowest output noise and ripple. C_1 , C_2 , and C_3 should be $1.0\mu F$ minimum with less than 0.3Ω ESR. Larger values may be used for any or all capacitors. All capacitors should be either ceramic, surface-mount chip tantalum, or polymer electrolytic.

OUTPUT NOISE AND RIPPLE

Low output noise and output voltage ripple are two of the attractive features of the LM2687. Because they are small, the noise and ripple ($1mV$ typ.) can be hard to measure accurately. Ground loop error between the circuit and the oscilloscope caused by the switching of the charge-pump produces ground currents in the probe wires. This causes sharp voltage spikes on the oscilloscope waveform. To reduce this error measure, the output directly at the output capacitor (C_3) and use the shortest wires possible. Also, do not use the ground lead on the probe. Take the tip cover off of the probe and touch the grounding ring of the probe directly to the ground terminal of C_3 . This should give the most accurate reading of the actual output waveform.

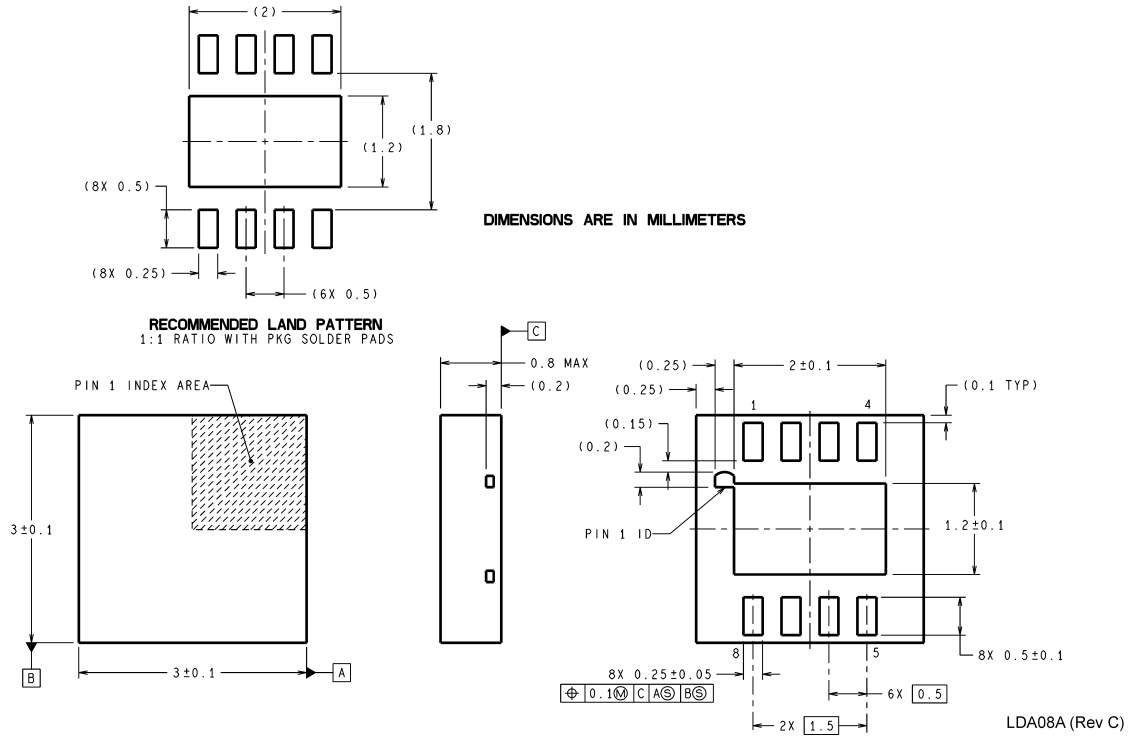
Physical Dimensions inches (millimeters) unless otherwise noted



MUA08A (REV B)

MSOP-8 Package
8-Lead Mini SO-8 (MM)
For Ordering, Refer to Ordering Information Table
NS Package Number MUA08A

Physical Dimensions inches (millimeters) unless otherwise noted (Continued)



LLP-8 Package
8-Lead Leadless Leadframe Package (LD)
For Ordering, Refer to Ordering Information Table
NS Package Number LDA08A

LIFE SUPPORT POLICY

NATIONAL'S PRODUCTS ARE NOT AUTHORIZED FOR USE AS CRITICAL COMPONENTS IN LIFE SUPPORT DEVICES OR SYSTEMS WITHOUT THE EXPRESS WRITTEN APPROVAL OF THE PRESIDENT AND GENERAL COUNSEL OF NATIONAL SEMICONDUCTOR CORPORATION. As used herein:

1. Life support devices or systems are devices or systems which, (a) are intended for surgical implant into the body, or (b) support or sustain life, and whose failure to perform when properly used in accordance with instructions for use provided in the labeling, can be reasonably expected to result in a significant injury to the user.
2. A critical component is any component of a life support device or system whose failure to perform can be reasonably expected to cause the failure of the life support device or system, or to affect its safety or effectiveness.



National Semiconductor
Americas Customer
Support Center
Email: new.feedback@nsc.com
Tel: 1-800-272-9959

National Semiconductor
Europe Customer Support Center
Fax: +49 (0) 180-530 85 86
Email: europe.support@nsc.com
Deutsch Tel: +49 (0) 69 9508 6208
English Tel: +44 (0) 870 24 0 2171
Français Tel: +33 (0) 1 41 91 8790

National Semiconductor
Asia Pacific Customer
Support Center
Fax: +65-6250 4466
Email: ap.support@nsc.com
Tel: +65-6254 4466

National Semiconductor
Japan Customer Support Center
Fax: 81-3-5639-7507
Email: jpn.feedback@nsc.com
Tel: 81-3-5639-7560

www.national.com