

DATA SHEET

80C451/83C451/87C451

80C51 8-bit microcontroller family

4K/128 OTP/ROM/ROMless, expanded I/O

Product specification
Supersedes data of 1998 Jan 19
IC20 Data Handbook

1998 May 01

80C51 8-bit microcontroller family

4K/128 OTP/ROM/ROMless, expanded I/O

80C451/83C451/87C451

DESCRIPTION

The Philips 8XC451 is an I/O expanded single-chip microcontroller fabricated with Philips high-density CMOS technology. Philips epitaxial substrate minimizes latch-up sensitivity.

The 8XC451 (includes the 80C451, 87C451 and 83C451) is a functional extension of the 87C51 microcontroller with three additional I/O ports and four I/O control lines for a total of 68 pins. Four control lines associated with port 6 facilitate high-speed asynchronous I/O functions.

The 8XC451 includes a 4k × 8 ROM (83C451) EPROM (87C451), a 128 × 8 RAM, 56 I/O, two 16-bit timer/counters, a five source, two priority level, nested interrupt structure, a serial I/O port for either a full duplex UART, I/O expansion, or multi-processor communications, and on-chip oscillator and clock circuits. The 80C451 ROMless version includes all of the 83C451 features except the on-board 4k × 8 ROM.

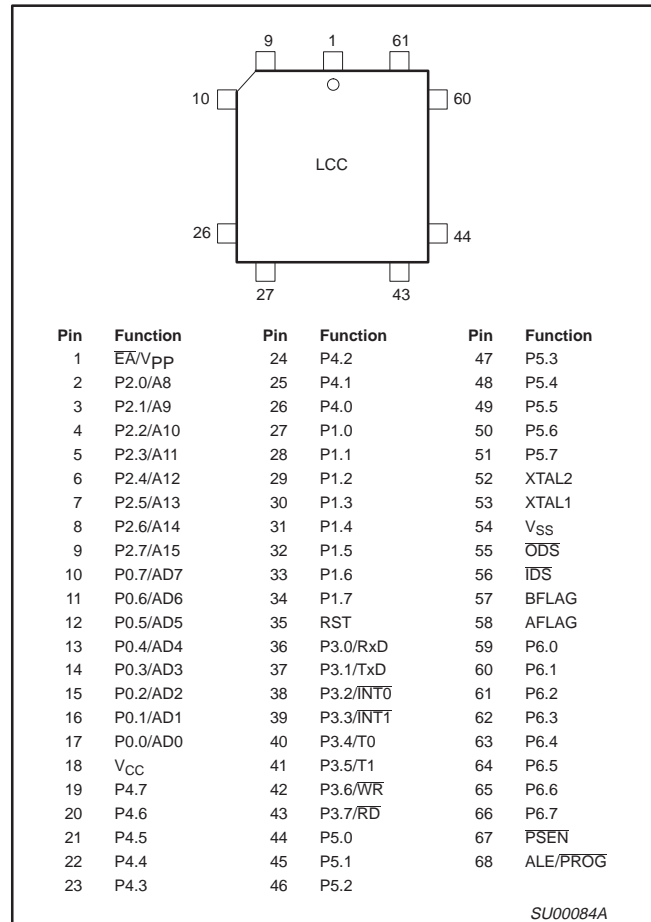
The 87C451 has 4k of EPROM on-chip as program memory and is otherwise identical to the 83C451.

The 8XC451 has two software selectable modes of reduced activity for further power reduction; idle mode and power-down mode. Idle mode freezes the CPU while allowing the RAM, timers, serial port, and interrupt system to continue functioning. Power-down mode freezes the oscillator, causing all other chip functions to be inoperative while maintaining the RAM contents.

FEATURES

- 80C51 based architecture
- Seven 8-bit I/O ports
- Port 6 features:
 - Eight data pins
 - Four control pins
 - Direct MPU bus interface
 - Parallel printer interface
- On the microcontroller:
 - 4k × 8 ROM (83C451)
 - 4k × 8 EPROM (87C451)
 - ROMless version (80C451)
 - 128 × 8 RAM
 - Two 16-bit counter/timers
 - Two external interrupts
- External memory addressing capability
 - 64k ROM and 64k RAM
- Low power consumption:
 - Normal operation: less than 24mA at 5V, 12MHz
 - Idle mode
 - Power-down mode

PIN CONFIGURATION

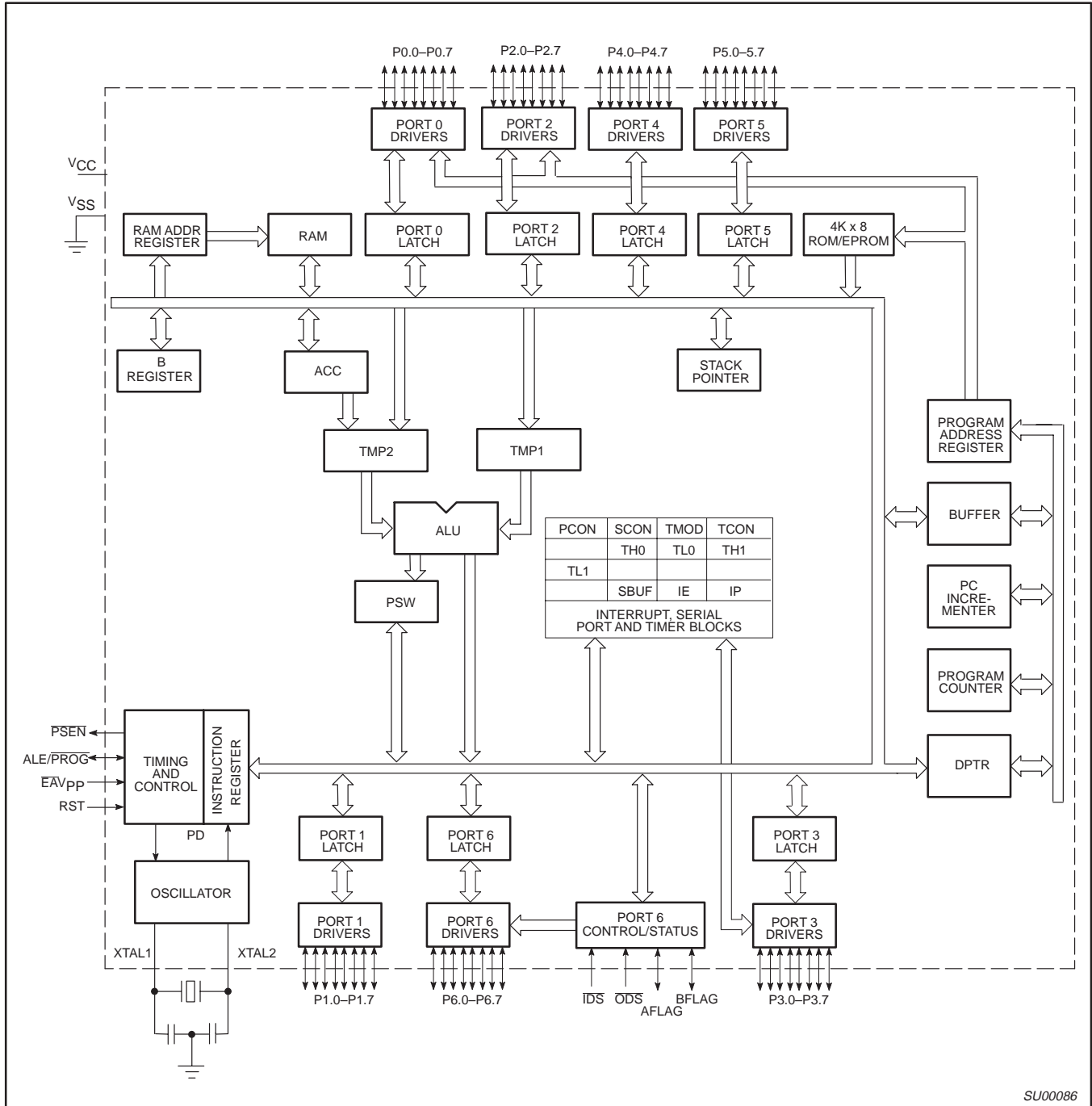


SU00084A

80C51 8-bit microcontroller family
4K/128 OTP/ROM/ROMless, expanded I/O

80C451/83C451/87C451

BLOCK DIAGRAM



SU00086

80C51 8-bit microcontroller family

4K/128 OTP/ROM/ROMless, expanded I/O

80C451/83C451/87C451

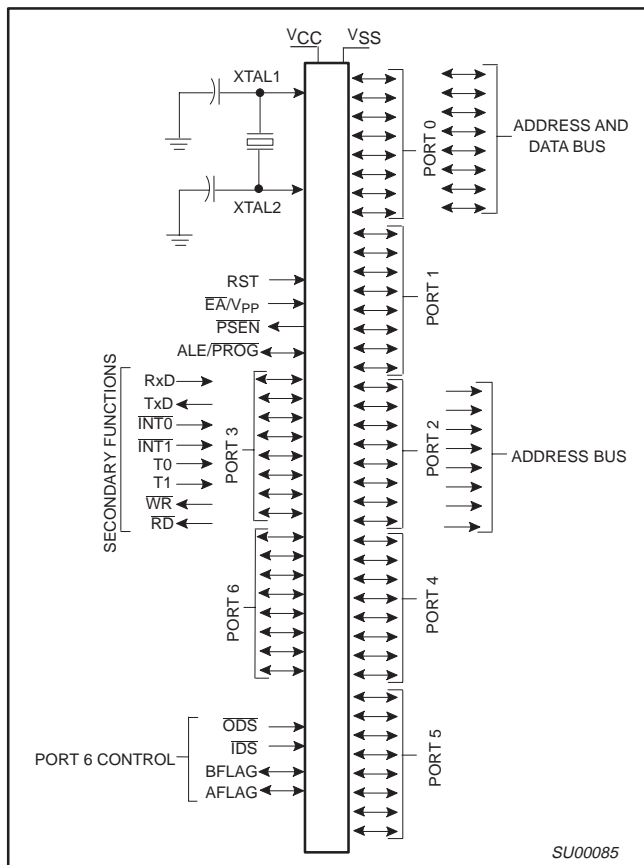
ORDERING INFORMATION

ROMless	ROM	EPROM ¹	TEMPERATURE RANGE °C AND PACKAGE	FREQ MHz	DRAWING NUMBER	
SC80C451CCA68	SC83C451CCA68	SC87C451CCA68	OTP	0 to +70, Plastic Leaded Chip Carrier,	3.5 to 12	SOT188-3
SC80C451CGA68	SC83C451CGA68	SC87C451CGA68	OTP	0 to +70, Plastic Leaded Chip Carrier	3.5 to 16	SOT188-3

NOTE:

1. OTP = One Time Programmable

LOGIC SYMBOL



80C51 8-bit microcontroller family

4K/128 OTP/ROM/ROMless, expanded I/O

80C451/83C451/87C451

PIN DESCRIPTION

MNEMONIC	PIN NO.	TYPE	NAME AND FUNCTION
V _{SS}	54	I	Ground: 0V reference.
V _{CC}	18	I	Power Supply: This is the power supply voltage for normal, idle, and power-down operation.
P0.0–P0.7	17-10	I/O	Port 0: Port 0 is an open-drain, bidirectional I/O port. Port 0 is also the multiplexed data and low-order address bus during accesses to external memory. External pull-ups are required during program verification. Port 0 can sink/source eight LS TTL inputs.
P1.0–P1.7	27-34	I/O	Port 1: Port 1 is an 8-bit bidirectional I/O port with internal pull-ups. Port 1 receives the low-order address bytes during program memory verification. Port 1 can sink/source three LS TTL inputs, and drive CMOS inputs without external pull-ups.
P2.0–P2.7	2-9	I/O	Port 2: Port 2 is an 8-bit bidirectional I/O port with internal pull-ups. Port 2 emits the high-order address bytes during access to external memory and receives the high-order address bits and control signals during program verification. Port 2 can sink/source three LS TTL inputs, and drive CMOS inputs without external pull-ups.
P3.0–P3.7	36-43	I/O	Port 3: Port 3 is an 8-bit bidirectional I/O port with internal pull-ups. Port 3 can sink/source three LS TTL inputs, and drive CMOS inputs without external pull-ups. Port 3 also serves the special functions listed below:
	36	I	RxD (P3.0): Serial input port
	37	O	TxD (P3.1): Serial output port
	38	I	INT0 (P3.2): External interrupt
	39	I	INT1 (P3.3): External interrupt
	40	I	T0 (P3.4): Timer 0 external input
	41	I	T1 (P3.5): Timer 1 external input
	42	O	WR (P3.6): External data memory write strobe
	43	O	RD (P3.7): External data memory read strobe
P4.0–P4.7	26-19	I/O	Port 4: Port 4 is a 8-bit (LCC) bidirectional I/O port with internal pull-ups. Port 4 can sink/source three LS TTL inputs and drive CMOS inputs without external pull-ups.
P5.0–P5.7	44-51	I/O	Port 5: Port 5 is a 8-bit (LCC) bidirectional I/O port with internal pull-ups. Port 5 can sink/source three LS TTL inputs and drive CMOS inputs without external pull-ups.
P6.0–P6.7	59-66	I/O	Port 6: Port 6 is a specialized 8-bit bidirectional I/O port with internal pull-ups. This special port can sink/source three LS TTL inputs and drive CMOS inputs without external pull-ups. Port 6 can be used in a strobed or non-strobed mode of operation. Port 6 works in conjunction with four control pins that serve the functions listed below:
$\overline{\text{ODS}}$	55	I	ODS: Output data strobe
$\overline{\text{IDS}}$	56	I	IDS: Input data strobe
BFLAG	57	I/O	BFLAG: Bidirectional I/O pin with internal pull-ups
AFLAG	58	I/O	AFLAG: Bidirectional I/O pin with internal pull-ups
RST	35	I	Reset: A high on this pin for two machine cycles while the oscillator is running, resets the device. An internal pull-down resistor permits a power-on reset using only an external capacitor connected to V _{CC} .
ALE/ $\overline{\text{PROG}}$	68	I/O	Address Latch Enable/Program Pulse: Output pulse for latching the low byte of the address during an access to external memory. ALE is activated at a constant rate of 1/6 the oscillator frequency except during an external data memory access, at which time one ALE is skipped. ALE can sink/source three LS TTL inputs and drive CMOS inputs without external pull-ups. This pin is also the program pulse during EPROM programming.
$\overline{\text{PSEN}}$	67	O	Program Store Enable: The read strobe to external program memory. $\overline{\text{PSEN}}$ is activated twice each machine cycle during fetches from external program memory. However, when executing out of external program memory, two activations of $\overline{\text{PSEN}}$ are skipped during each access to external program memory. $\overline{\text{PSEN}}$ is not activated during fetches from internal program memory. $\overline{\text{PSEN}}$ can sink/source eight LS TTL inputs and drive CMOS inputs without an external pull-up. This pin should be tied low during programming.
$\overline{\text{EA}}/\text{V}_{\text{PP}}$	1	I	Instruction Execution Control/Programming Supply Voltage: When $\overline{\text{EA}}$ is held high, the CPU executes out of internal program memory, unless the program counter exceeds 0FFFH. When $\overline{\text{EA}}$ is held low, the CPU executes out of external program memory. $\overline{\text{EA}}$ must never be allowed to float. This pin also receives the 12.75V programming supply voltage (V _{PP}) during EPROM programming.
XTAL1	53	I	Crystal 1: Input to the inverting oscillator amplifier that forms the oscillator. This input receives the external oscillator when an external oscillator is used.
XTAL2	52	O	Crystal 2: An output of the inverting amplifier that forms the oscillator. This pin should be floated when an external oscillator is used.

80C51 8-bit microcontroller family

4K/128 OTP/ROM/ROMless, expanded I/O

80C451/83C451/87C451

I/O Port Structure

The 8XC451 has a total of seven parallel I/O ports. The first four ports, P0 through P3, are identical in function to those present on the 80C51 family. The added ports 4 and 5 are identical in function to port 1; that is, they are standard quasi-bidirectional ports with no alternate functions and the standard output drive characteristics. Port 6 is a specialized 8-bit bidirectional I/O port with internal pullups.

Ports 4 and 5

Ports 4 and 5 are bidirectional I/O ports with internal pull-ups. Port 4 is an 8-bit port. Port 4 and port 5 pins with ones written to them, are pulled high by the internal pull-ups, and in that state can be used as inputs. Port 4 and 5 are addressed at the special function register addresses shown in Table 1.

Port 6

Port 6 is a special 8-bit bidirectional I/O port with internal pull-ups (see Figure 1). This special port can sink/source three LS TTL inputs and drive CMOS inputs without external pullups. The flexibility of this port facilitates high-speed parallel data communications. This port can be used as a standard I/O port, or in strobed modes of operation in conjunction with four special control lines: $\overline{\text{ODS}}$, $\overline{\text{IDS}}$, AFLAG, and BFLAG. Port 6 operating modes are controlled by the port 6 control status register (CSR). Port 6 and the CSR are addressed at the special function register addresses shown in Table 1. The following four control pins are used in conjunction with port 6:

$\overline{\text{ODS}}$ – Output data strobe (Active Low) for port 6. $\overline{\text{ODS}}$ can be programmed to control the port 6 output drivers and the output buffer full flag (OBF), or to clear only the OBF flag bit in the CSR (output-always mode). $\overline{\text{ODS}}$ is active low for output driver control. the OBF flag can be programmed to be cleared on the negative or positive edge of $\overline{\text{ODS}}$.

$\overline{\text{IDS}}$ – Input data strobe (Active Low) for port 6. $\overline{\text{IDS}}$ is used to control the port 6 input latch and input buffer full flag (IBF) bit in the CSR. The input data latch can be programmed to be transparent when $\overline{\text{IDS}}$ is low and latched on the positive transition of $\overline{\text{IDS}}$, or to latch only on the positive transition of $\overline{\text{IDS}}$. Correspondingly, the IBF flag is set on the negative or positive transition of $\overline{\text{IDS}}$.

BFLAG – BFLAG is a bidirectional I/O pin which can be programmed to be an output, set high or low under program control, or to output the state of the input buffer full flag. BFLAG can also be programmed to input an enable signal for port 6. When BFLAG is used as an enable input, port 6 output drivers are in the high-impedance state, and the input latch does not respond to the $\overline{\text{IDS}}$ strobe when BFLAG is high. Both features are enabled when BFLAG is low. This feature facilitates the use of the SC8XC451 in bused multiprocessor systems.

AFLAG – AFLAG is a bidirectional I/O pin which can be programmed to be an output set high or low under program control, or to output the state of the output buffer full flag. AFLAG can also be programmed to be an input which selects whether the contents of the output buffer, or the contents of the port 6 control status register will output on port 6. This feature grants complete port 6 status to external devices.

Port 6 can be used in a number of different ways to facilitate data communication. It can be used as a processor bus interface, as a standard quasi-bidirectional I/O port, or as a parallel printer port (either polled or interrupt driven).

Processor Bus Interface

Port 6 allows the use of an 8XC451 as an element on a microprocessor type bus. The host processor could be a general purpose MPU or the data bus of a microcontroller like the 8XC451 itself. Setting up the 8XC451 as a processor bus interface allows single or multiple microcontrollers to be used on a bus as flexible peripheral processing elements. Applications can include: keyboard scanners, serial I/O controllers, servo controllers, etc.

On reset, port 6 is programmed correctly (that is, Special Function registers CSR and P6) for use as a bus interface. This prevents the interface from disrupting data on the bus of a host processor during power-up.

Standard Quasi-bidirectional I/O Port

To use port 6 as a common I/O port, all of the control pins should be tied to ground. On hardware reset, bits 2-7 of the CSR are set to one. With the control pins grounded, the port's operation and electrical characteristics will be identical to port 1 on the 80C51. No further software initialization is required.

Parallel Printer Port

The 8XC451 has the capacity to permit all of the intelligent features of a common printer to be handled by a single chip. The features of port 6 allow a parallel port to be designed with only line driving and receiving chips required as additional hardware. The onboard UART allows RS232 interfacing with only level shifting chips added. The 8-bit parallel ports 0 to 6 are ample to drive onboard control functions, even when ports are used for external memory access, interrupts, and other functions. The RAM addressing ability of ports 0 to 2 can be used to address up to 64k bytes of a hardware buffer/spooler.

In addition, either end of a parallel interface can be implemented using port 6, and the interfaces can be interrupt driven or polled in either case. For more detailed information on port 6 usage, refer to the application notes entitled "80C451 Operation of Port 6" and "256k Centronics Printer Buffer Using the SC87C451 Microcontroller."

CONTROL STATUS REGISTER

The control status register (CSR) establishes the mode of operation for port 6 and indicates the current status of port 6 I/O registers. All control status register bits can be read and written by the CPU, except bits 0 and 1, which are read only. Reset writes ones to bits 2 through 7, and writes zeros to bits 0 and 1 (see Table 3).

CSR.0 Input Buffer Full Flag (IBF) (Read Only) – The IBF bit is set to a logic 1 when port 6 data is loaded into the input buffer under control of $\overline{\text{IDS}}$. This can occur on the negative or positive edge of $\overline{\text{IDS}}$, as determined by CSR.2 IBF is cleared when the CPU reads the input buffer register.

CSR.1 Output Buffer Full Flag (OBF) (Read Only) – The OBF flag is set to a logic 1 when the CPU writes to the port 6 output data buffer. OBF is cleared by the positive or negative edge of $\overline{\text{ODS}}$, as determined by CSR.3.

CSR.2 IDS Mode Select (IDSM) – When CSR.2 = 0, a low-to-high transition on the $\overline{\text{IDS}}$ pin sets the IBF flag. The Port 6 input buffer is loaded on the $\overline{\text{IDS}}$ positive edge. When CSR.2 = 1, a high-to-low transition on the $\overline{\text{IDS}}$ pin sets the IBF flag. Port 6 input buffer is transparent when $\overline{\text{IDS}}$ is low, and latched when $\overline{\text{IDS}}$ is high.

80C51 8-bit microcontroller family

4K/128 OTP/ROM/ROMless, expanded I/O

80C451/83C451/87C451

CSR.3 Output Buffer Full Flag Clear Mode (OBFC) – When CSR.3 = 1, the positive edge of the \overline{ODS} input clears the OBF flag. When CSR.3 = 0, the negative edge of the \overline{ODS} input clears the OBF flag.

CSR.4, CSR.5 AFLAG Mode Select

(MA0, MA1) – Bits 4 and 5 select the mode of operation for the AFLAG pin as follows:

MA1	MA0	AFLAG Function
0	0	Logic 0 output
0	1	Logic 1 output
1	0	OBF flag output (CSR.1)
1	1	Select (SEL) input mode

The select (SEL) input mode is used to determine whether the port 6 data register or the control status register is output on port 6. When the select feature is enabled, the AFLAG input controls the source of port 6 output data. A logic 0 on AFLAG input selects the port 6 data register, and a logic 1 on AFLAG input selects the control status register.

CSR.6, CSR.7 BFLAG Mode Select

(MB0, MB1) – Bits 6 and 7 select the mode operation as follows:

MB1	MB0	BFLAG Function
0	0	Logic 0 output
0	1	Logic 1 output
1	0	IBF flag output (CSR.0)
1	1	Port enable (PE)

In the port enable mode, \overline{IDS} and \overline{ODS} inputs are disabled when BFLAG input is high. When the BFLAG input is low, the port is enabled for I/O.

SPECIAL FUNCTION REGISTER ADDRESSES

The SFRs are identical to those of the standard 80C51 with the exception of four registers that have been added to allow control of the three additional I/O ports P4, P5, and P6. The additional registers are P4, P5, P6, and CSR. Registers P4, P5, and P6 function as port latches for ports 4, 5, and 6, respectively. These registers operate identically to those for ports 0 through 3 of the 80C51.

Table 1. Special Function Register Addresses

REGISTER ADDRESS			BIT ADDRESS							
NAME	SYMBOL	ADDRESS	MSB							LSB
Port 4	P4	C0	C7	C6	C5	C4	C3	C2	C1	C0
Port 5	P5	C8	CF	CE	CD	CC	CB	CA	C9	C8
Port 6 data	P6	D8	DF	DE	DD	DC	DB	DA	D9	D8
Port 6 control status	CSR	E8	EF	EE	ED	EC	EB	EA	E9	E8

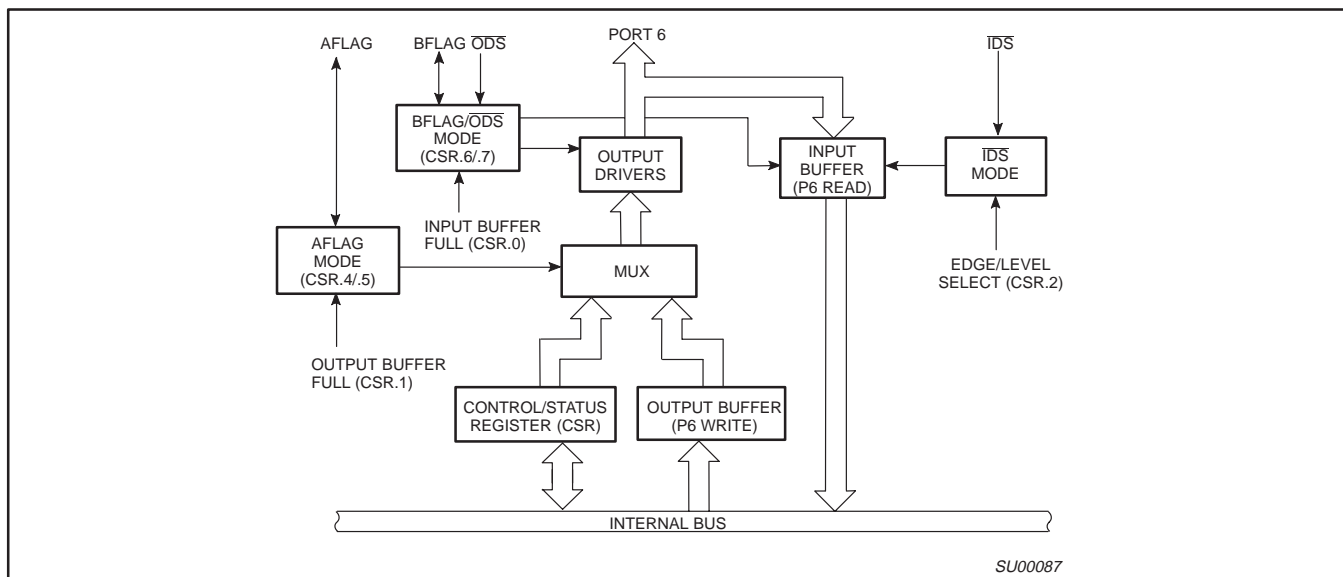


Figure 1. Port 6 Block Diagram

80C51 8-bit microcontroller family
4K/128 OTP/ROM/ROMless, expanded I/O

80C451/83C451/87C451

Table 2. 8XC451 Special Function Registers

SYMBOL	DESCRIPTION	DIRECT ADDRESS	BIT NAMES AND ADDRESSES								RESET VALUE
			MSB				LSB				
ACC*	Accumulator	E0H	E7	E6	E5	E4	E3	E2	E1	E0	00H
B*	B register	F0H	F7	F6	F5	F4	F3	F2	F1	F0	00H
			EF	EE	ED	EC	EB	EA	E9	E8	
CSR*#	Port 6 command/status	E8H	MB1	MB0	MA1	MA0	OBFC	IDSM	OBF	IBF	FCH
DPTR	Data pointer (2 bytes)										
DPH	Data pointer high	83H									00H
DPL	Data pointer low	82H									00H
IP*	Interrupt priority	B8H	BF	BE	BD	BC	BB	BA	B9	B8	xxx00000B
			–	–	–	PS	PT1	PX1	PT0	PX0	
			AF	AE	AD	AC	AB	AA	A9	A8	
IE*	Interrupt enable	A8H	EA	–	–	ES	ET1	EX1	ET0	EX0	0xx00000B
P0*	Port 0	80H	87	B6	85	84	83	82	81	80	FFH
P1*	Port 1	90H	97	96	95	94	93	92	91	90	FFH
P2*	Port 2	A0H	A7	A6	A5	A4	A3	A2	A1	A0	FFH
P3*	Port 3	B0H	B7	B6	B5	B4	B3	B2	B1	B0	FFH
P4*#	Port 4	C0H	C7	C6	C5	C4	C3	C2	C1	C0	FFH
P5*#	Port 5	C8H	CF	CE	CD	CC	CB	CA	C9	C8	FFH
P6*#	Port 6	D8H	DF	DE	DD	DC	DB	DA	D9	D8	FFH
PCON	Power control	87H	SMOD	–	–	–	GF1	GF0	PD	IDL	0xxx0000B
			D7	D6	D5	D4	D3	D2	D1	D0	
PSW*	Program status word	D0H	CY	AC	F0	RS1	RS0	OV	–	P	00H
SBUF	Serial data buffer	99H									xxxxxxxxB
			9F	9E	9D	9C	9B	9A	99	98	
SCON*	Serial port control	98H	SM0	SM1	SM2	REN	TB8	RB8	TI	RI	00H
SP	Stack pointer	81H									07H
			8F	8E	8D	8C	8B	8A	89	88	
TCON*	Timer/counter control	88H	TF1	TR1	TF0	TR0	IE1	IT1	IE0	IT0	00H
TMOD	Timer/counter mode	89H	GATE	C/T	M1	M0	GATE	C/T	M1	M0	00H
TH0	Timer 0 high byte	8CH									00H
TH1	Timer 1 high byte	8DH									00H
TL0	Timer 0 low byte	8AH									00H
TL1	Timer 1 low byte	8BH									00H

* SFRs are bit addressable.

SFRs are modified from or added to the 80C51 SFRs.

80C51 8-bit microcontroller family

4K/128 OTP/ROM/ROMless, expanded I/O

80C451/83C451/87C451

Table 3. Control Status Register (CSR)

Bit 7	Bit 6	Bit 5	Bit 4	Bit 3	Bit 2	Bit 1	Bit 0
MB1	MB0	MA1	MA0	OBFC	IDSM	OBF	IBF
BFLAG Mode Select		AFLAG Mode Select		Output Buffer Flag Clear Mode	Input Data Strobe Mode	Output Buffer Flag Full	Input Buffer Flag Full
0/0 = Logic 0 output* 0/1 = Logic 1 output* 1/0 = IBF output 1/1 = \overline{PE} input (0 = Select) (1 = Disable I/O)		0/0 = Logic 0 output* 0/1 = Logic 1 output* 1/0 = OBF output 1/1 = SEL input (0 = Select) (1 = Control/status)		0 = Negative edge of \overline{ODS} 1 = Positive edge of \overline{ODS}	0 = Positive edge of \overline{IDS} 1 = Low level of \overline{IDS}	0 = Output data buffer empty 1 = Output data buffer full	0 = Input data buffer empty 1 = Input data buffer full

NOTE:

* Output-always mode: MB1 = 0, MA1 = 1, and MA0 = 0. In this mode, port 6 is always enabled for output. \overline{ODS} only clears the OBF flag.

ABSOLUTE MAXIMUM RATINGS^{1, 2, 3}

PARAMETER	RATING	UNIT
Operating temperature under bias	0 to +70	°C
Storage temperature range	-65 to +150	°C
Voltage on any other pin to V_{SS}	-0.5 to +6.5	V
Power dissipation (based on package heat transfer limitations, not device power consumption)	1.5	W

NOTES:

- Stresses above those listed under Absolute Maximum Ratings may cause permanent damage to the device. This is a stress rating only and functional operation of the device at these or any conditions other than those described in the AC and DC Electrical Characteristics section of this specification is not implied.
- This product includes circuitry specifically designed for the protection of its internal devices from the damaging effects of excessive static charge. Nonetheless, it is suggested that conventional precautions be taken to avoid applying greater than the rated maxima.
- Parameters are valid over operating temperature range unless otherwise specified. All voltages are with respect to V_{SS} unless otherwise noted.

80C51 8-bit microcontroller family

4K/128 OTP/ROM/ROMless, expanded I/O

80C451/83C451/87C451

DC ELECTRICAL CHARACTERISTICS¹

 $T_{amb} = 0^{\circ}\text{C to } +70^{\circ}\text{C}$, $V_{CC} = 5\text{V} \pm 10\%$, $V_{SS} = 0\text{V}$ (87C451, 83C451, 80C451)

SYMBOL	PARAMETER	TEST CONDITIONS	LIMITS			UNIT
			MIN	TYPICAL ¹	MAX	
V_{IL}	Input low voltage; except \overline{EA}		-0.5		$0.2V_{CC}-0.1$	V
V_{IL1}	Input low voltage to \overline{EA}		0		$0.2V_{CC}-0.3$	V
V_{IH}	Input high voltage; except XTAL1, RST		$0.2V_{CC}+0.9$		$V_{CC}+0.5$	V
V_{IH1}	Input high voltage; XTAL1, RST		$0.7V_{CC}$		$V_{CC}+0.5$	V
V_{OL}	Output low voltage; ports 1, 2, 3, 4, 5, 6	$I_{OL} = 1.6\text{mA}^2$			0.45	V
V_{OL1}	Output low voltage; port 0, ALE, \overline{PSEN}	$I_{OL} = 3.2\text{mA}^2$			0.45	V
V_{OH}	Output high voltage; ports 1, 2, 3, 4, 5, 6	$I_{OH} = -60\mu\text{A}$, $I_{OH} = -25\mu\text{A}$, $I_{OH} = -10\mu\text{A}$	2.4			V
			$0.75V_{CC}$			V
			$0.9V_{CC}$			V
V_{OH1}	Output high voltage (port 0 in external bus mode, ALE, \overline{PSEN}) ³	$I_{OH} = -800\mu\text{A}$, $I_{OH} = -300\mu\text{A}$, $I_{OH} = -80\mu\text{A}$	2.4			V
			$0.75V_{CC}$			V
			$0.9V_{CC}$			V
I_{IL}	Logical 0 input current; ports 1, 2, 3, 4, 5, 6	$V_{IN} = 0.45\text{V}$			-50	μA
I_{TL}	Logical 1-to-0 transition current; ports 1, 2, 3, 4, 5, 6	See note 4			-650	μA
I_{LI}	Input leakage current; port 0	$V_{IN} = V_{IL}$ or V_{IH}			± 10	μA
I_{CC}	Power supply current: Active mode @ 12MHz ⁵ Idle mode @ 12MHz ⁵ Power down mode	See note 6		11.5	25	mA
				1.3	4	mA
				3	50	μA
R_{RST}	Internal reset pull-down resistor		50		300	k Ω
C_{IO}	Pin capacitance ⁷				10	pF

NOTES:

- Typical ratings are based on a limited number of samples taken from early manufacturing lots and are not guaranteed. The values listed are at room temperature, 5V.
- Capacitive loading on ports 0 and 2 may cause spurious noise to be superimposed on the V_{OL} s of ALE and ports 1 and 3. The noise is due to external bus capacitance discharging into the port 0 and port 2 pins when these pins make 1-to-0 transitions during bus operations. In the worst cases (capacitive loading > 100pF), the noise pulse on the ALE pin may exceed 0.8V. In such cases, it may be desirable to qualify ALE with a Schmitt Trigger, or use an address latch with a Schmitt Trigger STROBE input.
- Capacitive loading on ports 0 and 2 may cause the V_{OH} on ALE and \overline{PSEN} to momentarily fall below the $0.9V_{CC}$ specification when the address bits are stabilizing.
- Pins of ports 1, 2 and 3 source a transition current when they are being externally driven from 1 to 0. The transition current reaches its maximum value when V_{IN} is approximately 2V.
- I_{CCMAX} at other frequencies is given by:
Active mode: $I_{CCMAX} = 0.94 \times \text{FREQ} + 13.71$
Idle mode: $I_{CCMAX} = 0.14 \times \text{FREQ} + 2.31$
where FREQ is the external oscillator frequency in MHz. I_{CCMAX} is given in mA. See Figure 13.
- See Figures 14 through 17 for I_{CC} test conditions.
- C_{IO} applies to ports 1 through 6, AFLAG, BFLAG, XTAL1, XTAL2.

80C51 8-bit microcontroller family

4K/128 OTP/ROM/ROMless, expanded I/O

80C451/83C451/87C451

AC ELECTRICAL CHARACTERISTICS¹

 $T_{amb} = 0^{\circ}\text{C to } +70^{\circ}\text{C}$, $V_{CC} = 5\text{V} \pm 10\%$, $V_{SS} = 0\text{V}$ (87C451, 83C451, 80C451)²

SYMBOL	FIGURE	PARAMETER	12MHz CLOCK		VARIABLE CLOCK		UNIT
			MIN	MAX	MIN	MAX	
$1/t_{CLCL}$		Oscillator frequency: Speed Versions SC8XC451 C SC8XC451 G			3.5 3.5	12 16	MHz MHz
t_{LHLL}	2	ALE pulse width	127		$2t_{CLCL}-40$		ns
t_{AVLL}	2	Address valid to ALE low	28		$t_{CLCL}-55$		ns
t_{LLAX}	2	Address hold after ALE low	48		$t_{CLCL}-35$		ns
t_{LLIV}	2	ALE low to valid instruction in		234		$4t_{CLCL}-100$	ns
t_{LLPL}	2	ALE low to $\overline{\text{PSEN}}$ low	43		$t_{CLCL}-40$		ns
t_{PLPH}	2	$\overline{\text{PSEN}}$ pulse width	205		$3t_{CLCL}-45$		ns
t_{PLIV}	2	$\overline{\text{PSEN}}$ low to valid instruction in		145		$3t_{CLCL}-105$	ns
t_{PXIX}	2	Input instruction hold after $\overline{\text{PSEN}}$	0		0		ns
t_{PXIZ}	2	Input instruction float after $\overline{\text{PSEN}}$		59		$t_{CLCL}-25$	ns
t_{AVIV}	2	Address to valid instruction in		312		$5t_{CLCL}-105$	ns
t_{PLAZ}	2	$\overline{\text{PSEN}}$ low to address float		10		10	ns
Data Memory							
t_{RLRH}	3, 4	$\overline{\text{RD}}$ pulse width	400		$6t_{CLCL}-100$		ns
t_{WLWH}	3, 4	$\overline{\text{WR}}$ pulse width	400		$6t_{CLCL}-100$		ns
t_{RLDV}	3, 4	$\overline{\text{RD}}$ low to valid data in		252		$5t_{CLCL}-165$	ns
t_{RHDX}	3, 4	Data hold after $\overline{\text{RD}}$	0		0		ns
t_{RHDZ}	3, 4	Data float after $\overline{\text{RD}}$		97		$2t_{CLCL}-70$	ns
t_{LLDV}	3, 4	ALE low to valid data in		517		$8t_{CLCL}-150$	ns
t_{AVDV}	3, 4	Address to valid data in		585		$9t_{CLCL}-165$	ns
t_{LLWL}	3, 4	ALE low to $\overline{\text{RD}}$ or $\overline{\text{WR}}$ low	200	300	$3t_{CLCL}-50$	$3t_{CLCL}+50$	ns
t_{AVWL}	3, 4	Address valid to $\overline{\text{WR}}$ low or $\overline{\text{RD}}$ low	203		$4t_{CLCL}-130$		ns
t_{QVWX}	3, 4	Data valid to $\overline{\text{WR}}$ transition	23		$t_{CLCL}-60$		ns
t_{WHQX}	3, 4	Data hold after $\overline{\text{WR}}$	33		$t_{CLCL}-50$		ns
t_{RLAZ}	3, 4	$\overline{\text{RD}}$ low to address float		0		0	ns
t_{WHLH}	3, 4	$\overline{\text{RD}}$ or $\overline{\text{WR}}$ high to ALE high	43	123	$t_{CLCL}-40$	$t_{CLCL}+40$	ns
Shift Register							
t_{XLXL}	5	Serial port clock cycle time	1.0		$12t_{CLCL}$		μs
t_{QVXH}	5	Output data setup to clock rising edge	700		$10t_{CLCL}-133$		ns
t_{XHQX}	5	Output data hold after clock rising edge	50		$2t_{CLCL}-117$		ns
t_{XHDX}	5	Input data hold after clock rising edge	0		0		ns
t_{XHDV}	5	Clock rising edge to input data valid		700		$10t_{CLCL}-133$	ns

NOTES: SEE NEXT PAGE

80C51 8-bit microcontroller family

4K/128 OTP/ROM/ROMless, expanded I/O

80C451/83C451/87C451

AC ELECTRICAL CHARACTERISTICS¹ (continued)T_{amb} = 0°C to +70°C, V_{CC} = 5V ±10%, V_{SS} = 0V (87C451, 83C451, 80C451)²

SYMBOL	FIGURE	PARAMETER	12MHz CLOCK		VARIABLE CLOCK		UNIT
			MIN	MAX	MIN	MAX	
Port 6 input (input rise and fall times = 5ns)							
t _{FLFH}	8	PE width	270		3t _{CLCL} +20		ns
t _{LIH}	8	IDS width	270		3t _{CLCL} +20		ns
t _{DVIH}	8	Data setup to IDS high or PE high	0		0		ns
t _{IHDX}	8	Data hold after IDS high or PE high	30		30		ns
t _{IVFV}	9	IDS to BFLAG (IBF) delay		130		130	ns
Port 6 output							
t _{OLOH}	6	ODS width	270		3t _{CLCL} +20		ns
t _{FVDV}	7	SEL to data out delay		85		85	ns
t _{OLDV}	6	ODS to data out delay		80		80	ns
t _{OHDZ}	6	ODS to data float delay		35		35	ns
t _{OVFV}	6	ODS to AFLAG (OBF) delay		100		100	ns
t _{FLDV}	6	PE to data out delay		120		120	ns
t _{OHFH}	7	ODS to AFLAG (SEL) delay	100		100		ns
External Clock							
t _{CHCX}	10	High time	20		20		ns
t _{CLCX}	10	Low time	20		20		ns
t _{CLCH}	10	Rise time		20		20	ns
t _{CHCL}	10	Fall time		20		20	ns

NOTES:

- Parameters are valid over operating temperature range unless otherwise specified.
- Load capacitance for port 0, ALE, and PSEN = 100pF, load capacitance for all other outputs = 80pF.

80C51 8-bit microcontroller family 4K/128 OTP/ROM/ROMless, expanded I/O

80C451/83C451/87C451

EXPLANATION OF THE AC SYMBOLS

Each timing symbol has five characters. The first character is always 't' (= time). The other characters, depending on their positions, indicate the name of a signal or the logical status of that signal. The designations are:

- A – Address
- C – Clock
- D – Input data
- H – Logic level high
- I – Instruction (program memory contents)
- L – Logic level low, or ALE

- P – $\overline{\text{PSEN}}$
- Q – Output data
- R – $\overline{\text{RD}}$ signal
- t – Time
- V – Valid
- W – $\overline{\text{WR}}$ signal
- X – No longer a valid logic level
- Z – Float

Examples: t_{AVLL} = Time for address valid to ALE low.
 t_{LLPL} = Time for ALE low to $\overline{\text{PSEN}}$ low.

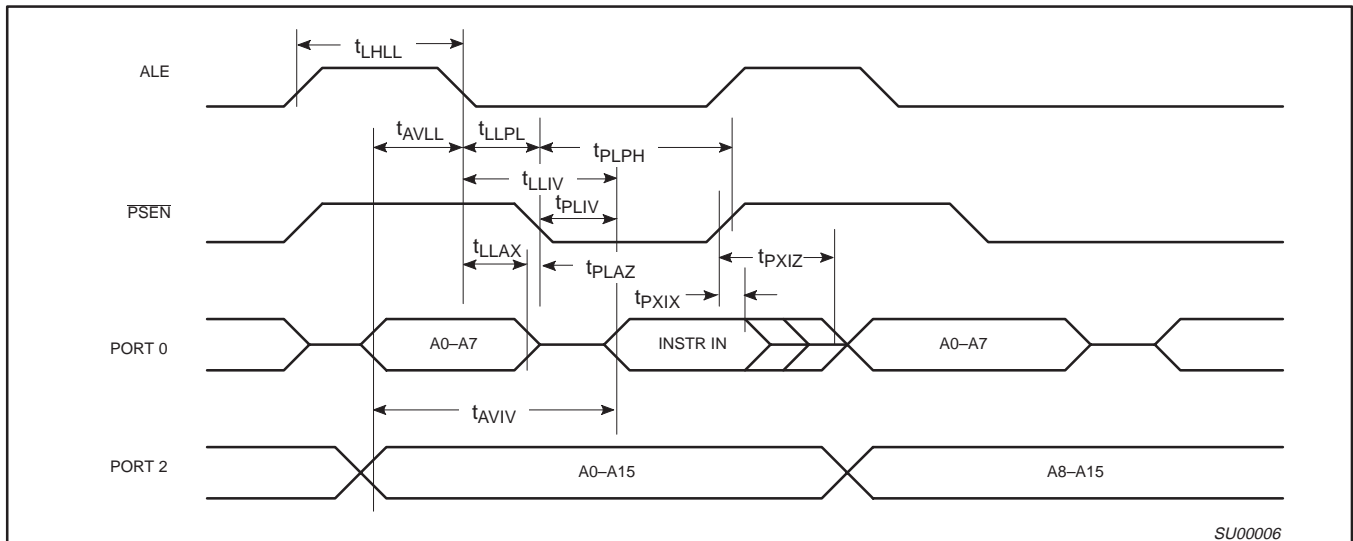


Figure 2. External Program Memory Read Cycle

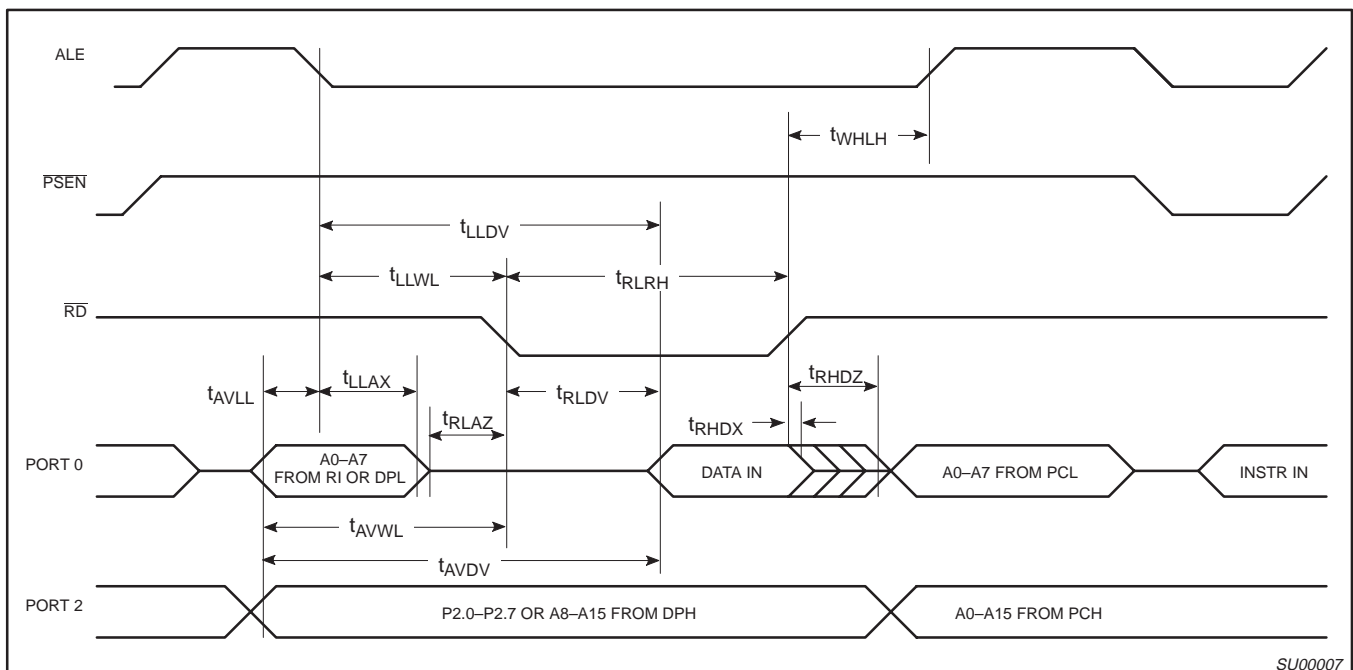


Figure 3. External Data Memory Read Cycle

80C51 8-bit microcontroller family
 4K/128 OTP/ROM/ROMless, expanded I/O

80C451/83C451/87C451

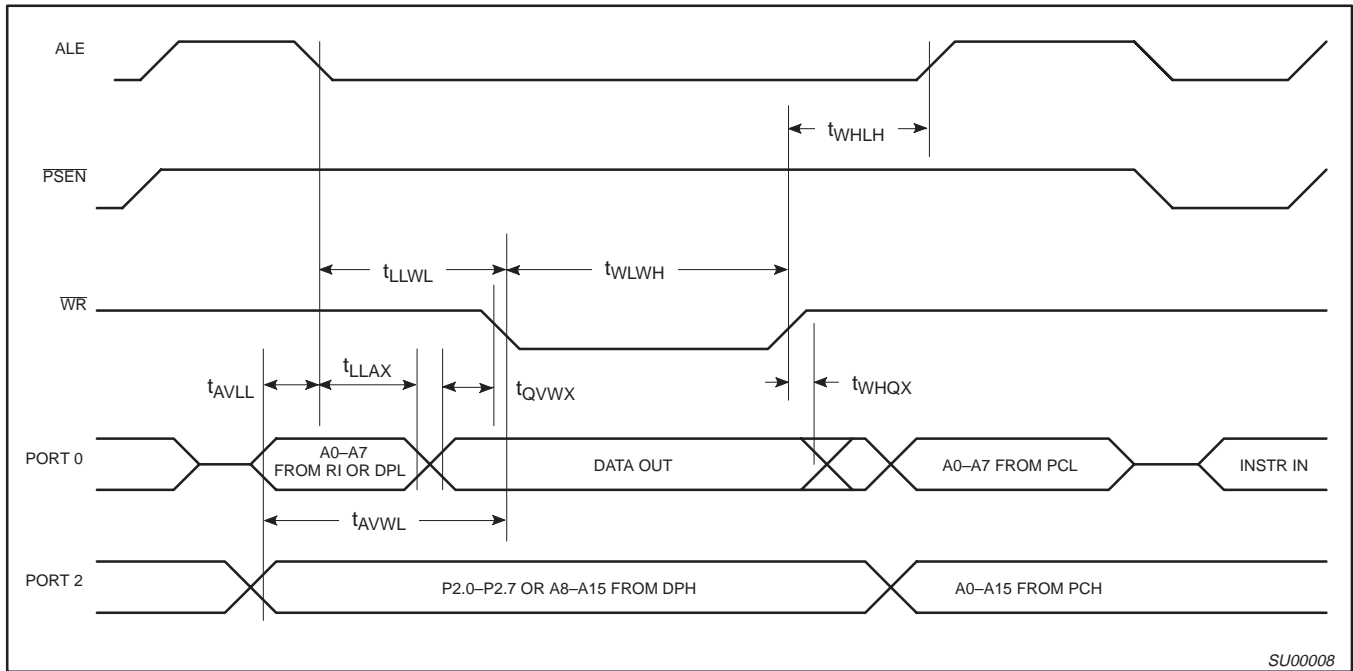


Figure 4. External Data Memory Write Cycle

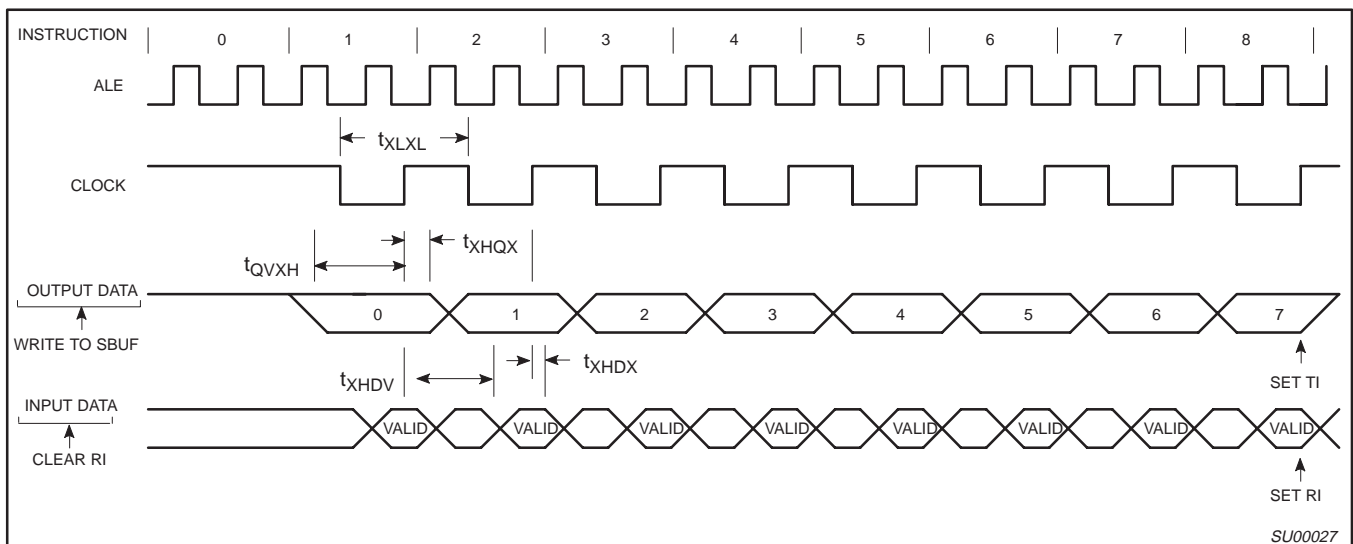
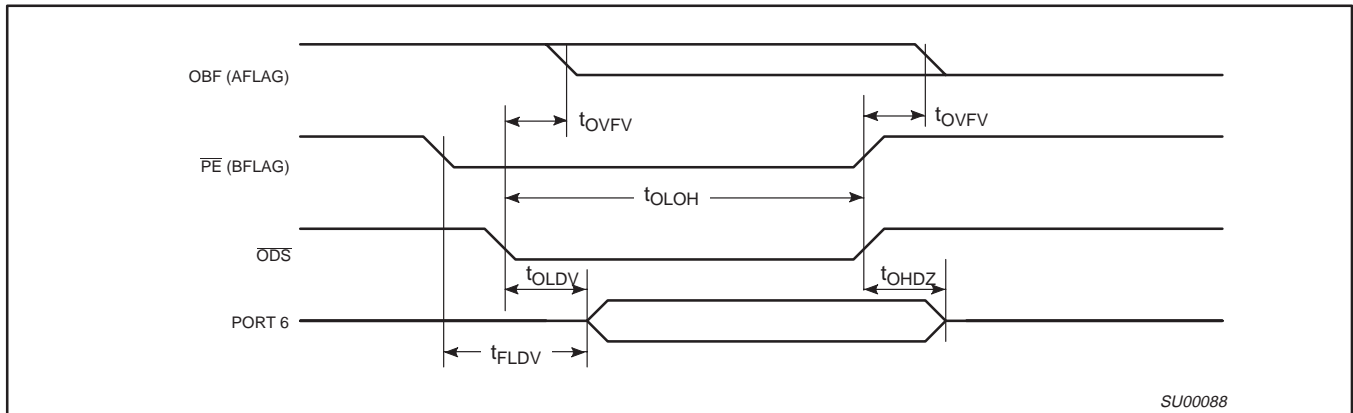


Figure 5. Shift Register Mode Timing

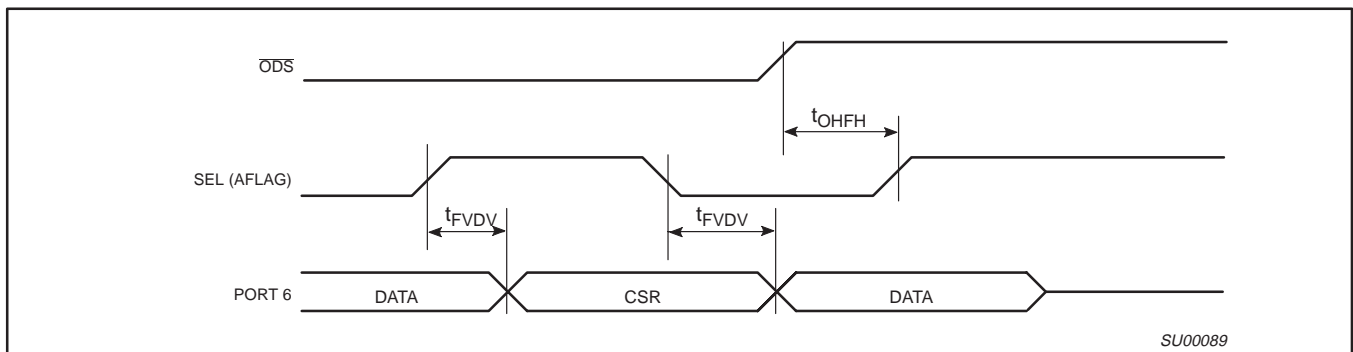
80C51 8-bit microcontroller family
4K/128 OTP/ROM/ROMless, expanded I/O

80C451/83C451/87C451



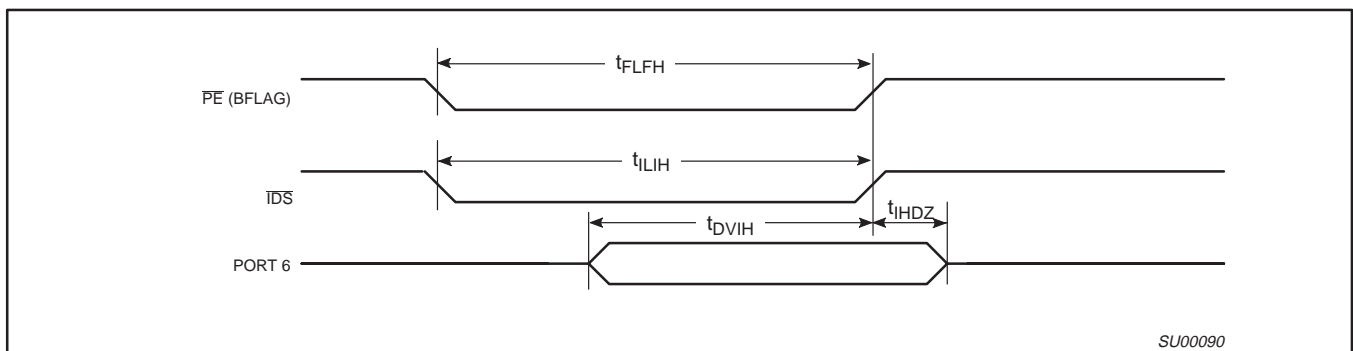
SU00088

Figure 6. Port 6 Output



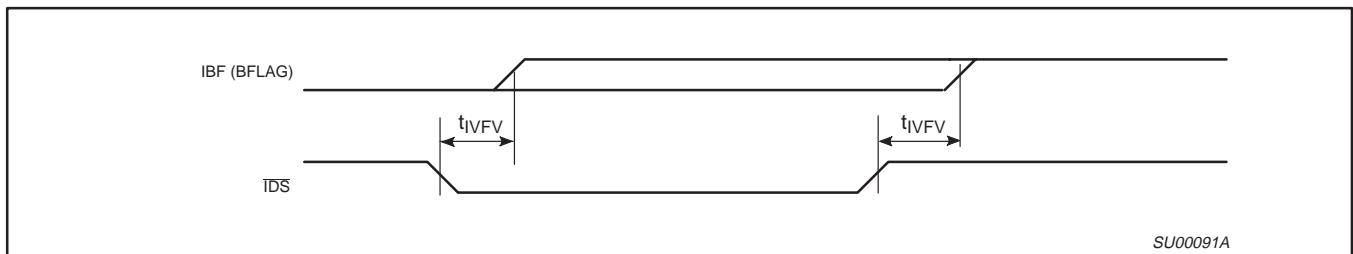
SU00089

Figure 7. Port 6 Select Mode



SU00090

Figure 8. Port 6 Input



SU00091A

Figure 9. IBF Flag Output

80C51 8-bit microcontroller family
4K/128 OTP/ROM/ROMless, expanded I/O

80C451/83C451/87C451

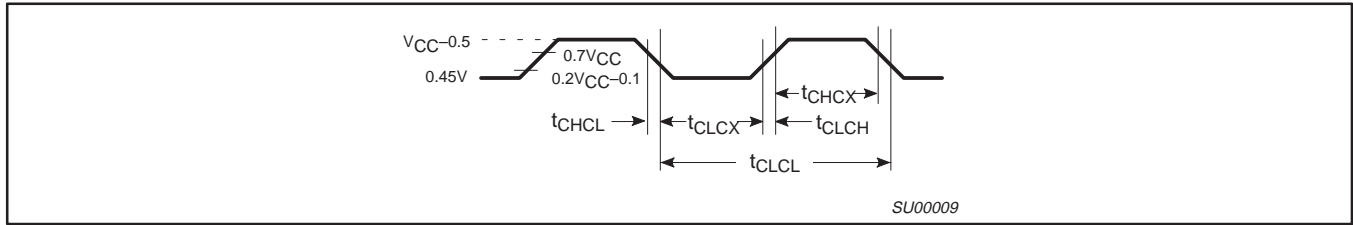


Figure 10. External Clock Drive

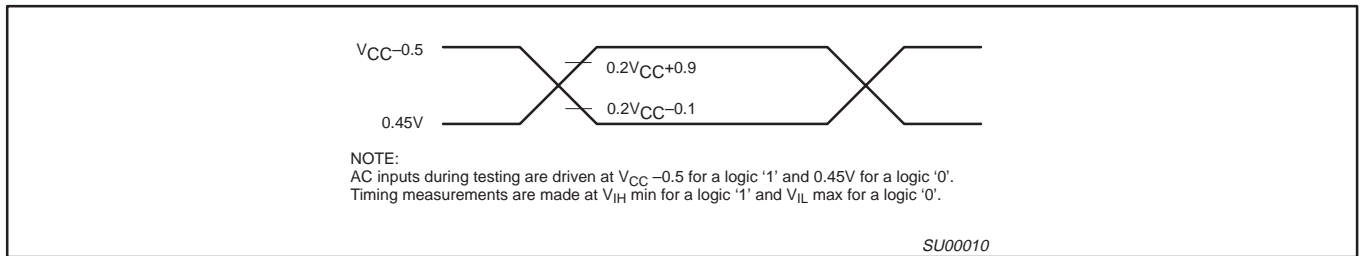


Figure 11. AC Testing Input/Output

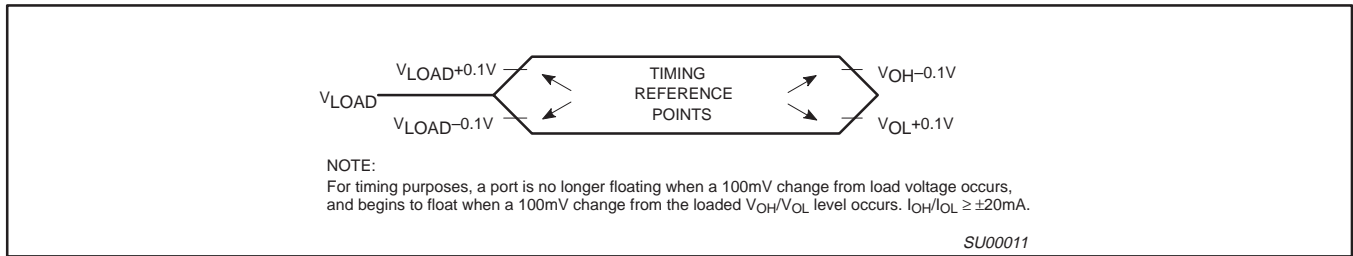


Figure 12. Float Waveform

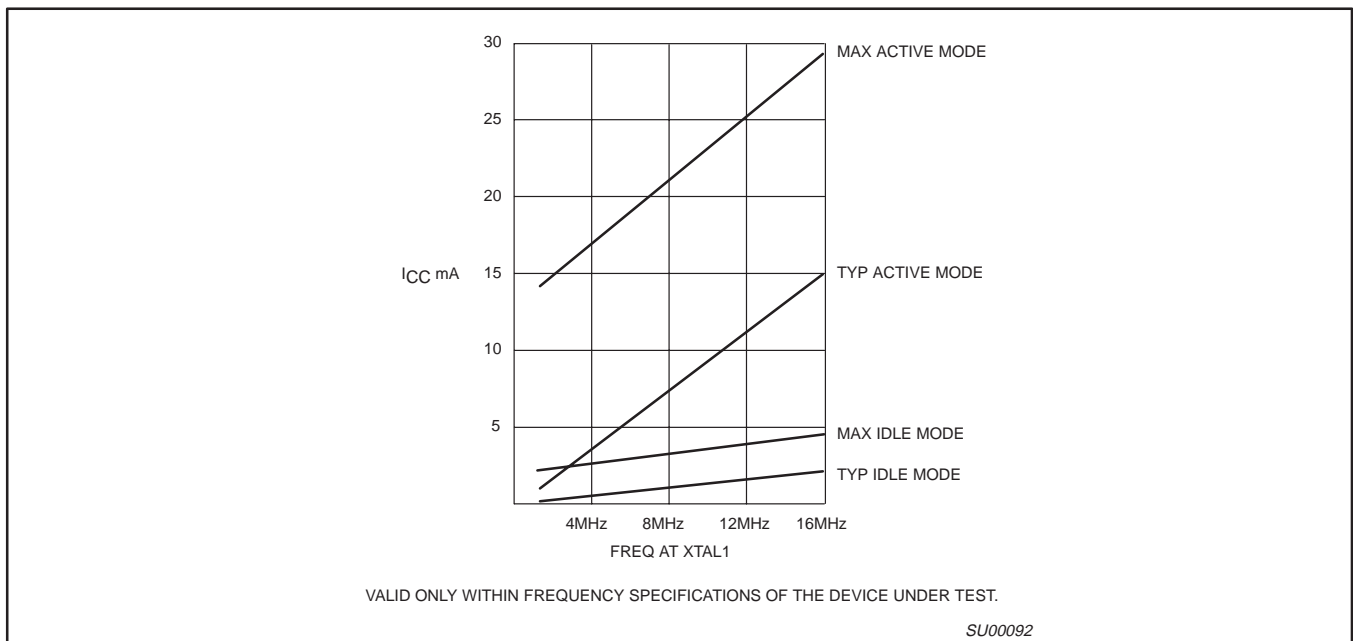


Figure 13. I_{CC} vs. FREQ

80C51 8-bit microcontroller family
4K/128 OTP/ROM/ROMless, expanded I/O

80C451/83C451/87C451

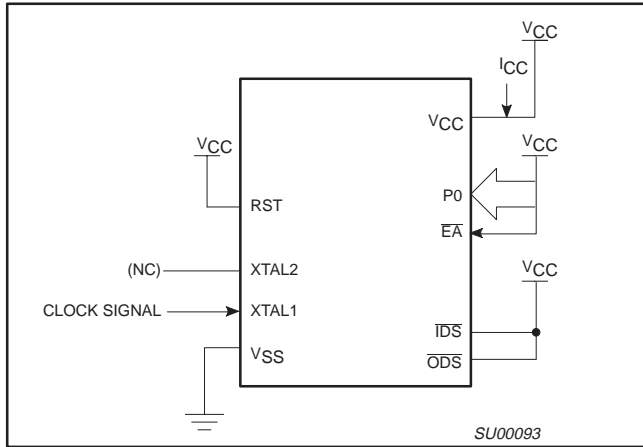


Figure 14. I_{CC} Test Condition, Active Mode
All other pins are disconnected

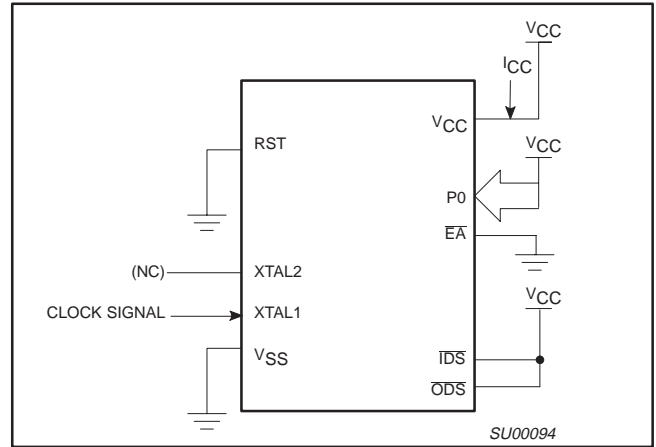


Figure 15. I_{CC} Test Condition, Idle Mode
All other pins are disconnected

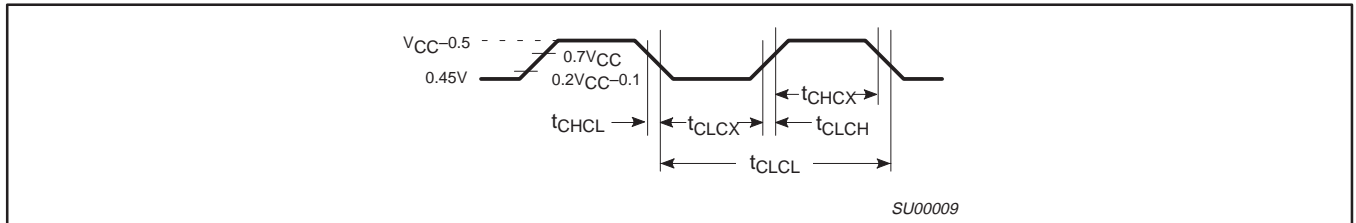


Figure 16. Clock Signal Waveform for I_{CC} Tests in Active and Idle Modes
 $t_{CLCH} = t_{CHCL} = 5\text{ns}$

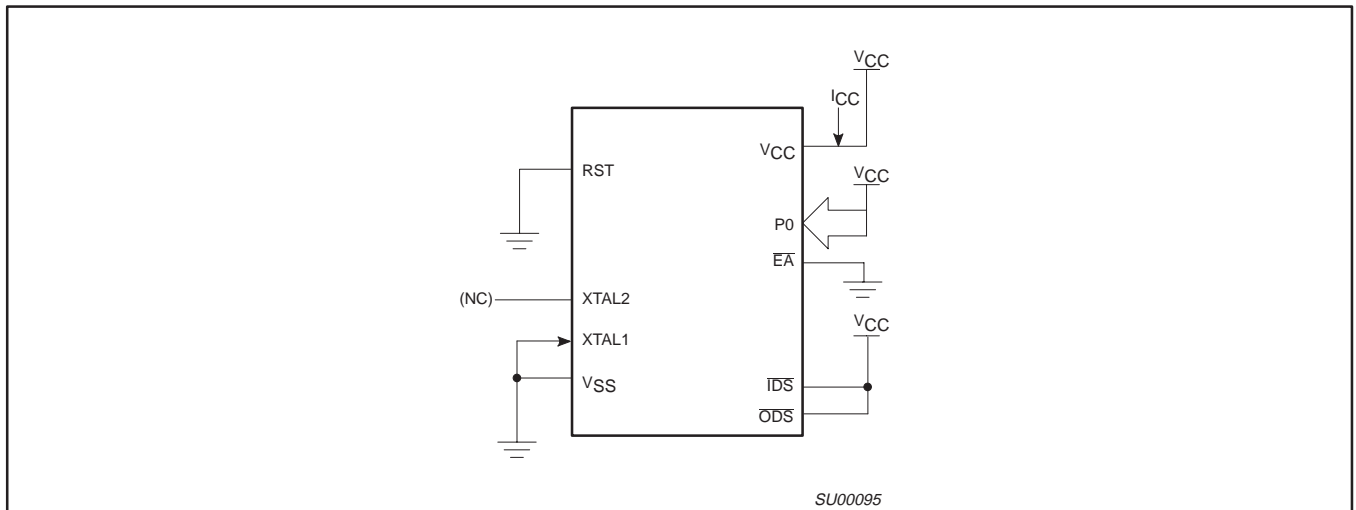


Figure 17. I_{CC} Test Condition, Power Down Mode
All other pins are disconnected. $V_{CC} = 2\text{V to }5.5\text{V}$

80C51 8-bit microcontroller family

4K/128 OTP/ROM/ROMless, expanded I/O

80C451/83C451/87C451

EPROM CHARACTERISTICS

The 87C451 is programmed by using a modified Quick-Pulse Programming™ algorithm. It differs from older methods in the value used for V_{PP} (programming supply voltage) and in the width and number of the ALE/PROG pulses.

The 87C451 contains two signature bytes that can be read and used by an EPROM programming system to identify the device. The signature bytes identify the device as an 87C451 manufactured by Philips Semiconductors.

Table 4 shows the logic levels for reading the signature byte, and for programming the program memory, the encryption table, and the lock bits. The circuit configuration and waveforms for quick-pulse programming are shown in Figures 18 and 19. Figure 20 shows the circuit configuration for normal program memory verification.

Quick-Pulse Programming

The setup for microcontroller quick-pulse programming is shown in Figure 18. Note that the 87C451 is running with a 4 to 6MHz oscillator. The reason the oscillator needs to be running is that the device is executing internal address and program data transfers.

The address of the EPROM location to be programmed is applied to ports 1 and 2, as shown in Figure 18. The code byte to be programmed into that location is applied to port 0. RST, \overline{PSEN} and pins of ports 2 and 3 specified in Table 4 are held at the 'Program Code Data' levels indicated in Table 4. The ALE/PROG is pulsed low 25 times as shown in Figure 19.

To program the encryption table, repeat the 25 pulse programming sequence for addresses 0 through 1FH, using the 'Pgm Encryption Table' levels. Do not forget that after the encryption table is programmed, verification cycles will produce only encrypted data.

To program the lock bits, repeat the 25 pulse programming sequence using the 'Pgm Lock Bit' levels. After one lock bit is

programmed, further programming of the code memory and encryption table is disabled. However, the other lock bit can still be programmed.

Note that the \overline{EA}/V_{PP} pin must not be allowed to go above the maximum specified V_{PP} level for any amount of time. Even a narrow glitch above that voltage can cause permanent damage to the device. The V_{PP} source should be well regulated and free of glitches and overshoot.

Program Verification

If lock bit 2 has not been programmed, the on-chip program memory can be read out for program verification. The address of the program memory locations to be read is applied to ports 1 and 2 as shown in Figure 20. The other pins are held at the 'Verify Code Data' levels indicated in Table 4. The contents of the address location will be emitted on port 0. External pull-ups are required on port 0 for this operation.

If the encryption table has been programmed, the data presented at port 0 will be the exclusive NOR of the program byte with one of the encryption bytes. The user will have to know the encryption table contents in order to correctly decode the verification data. The encryption table itself cannot be read out.

Reading the Signature Bytes

The signature bytes are read by the same procedure as a normal verification of locations 030H and 031H, except that P3.6 and P3.7 need to be pulled to a logic low. The values are:
(030H) = 15H indicates manufactured by Philips
(031H) = 90H indicates 87C451

Program/Verify Algorithms

Any algorithm in agreement with the conditions listed in Table 4, and which satisfies the timing specifications, is suitable.

Table 4. EPROM Programming Modes

MODE	RST	\overline{PSEN}	ALE/PROG	\overline{EA}/V_{PP}	P2.7	P2.6	P3.7	P3.6
Read signature	1	0	1	1	0	0	0	0
Program code data	1	0	0*	V_{PP}	1	0	1	1
Verify code data	1	0	1	1	0	0	1	1
Pgm encryption table	1	0	0*	V_{PP}	1	0	1	0
Pgm lock bit 1	1	0	0*	V_{PP}	1	1	1	1
Pgm lock bit 2	1	0	0*	V_{PP}	1	1	0	0

NOTES:

- '0' = Valid low for that pin, '1' = valid high for that pin.
- $V_{PP} = 12.75V \pm 0.25V$.
- $V_{CC} = 5V \pm 10\%$ during programming and verification.

* ALE/PROG receives 25 programming pulses while V_{PP} is held at 12.75V. Each programming pulse is low for 100 μ s ($\pm 10\mu$ s) and high for a minimum of 10 μ s.

™Trademark phrase of Intel Corporation.

80C51 8-bit microcontroller family
4K/128 OTP/ROM/ROMless, expanded I/O

80C451/83C451/87C451

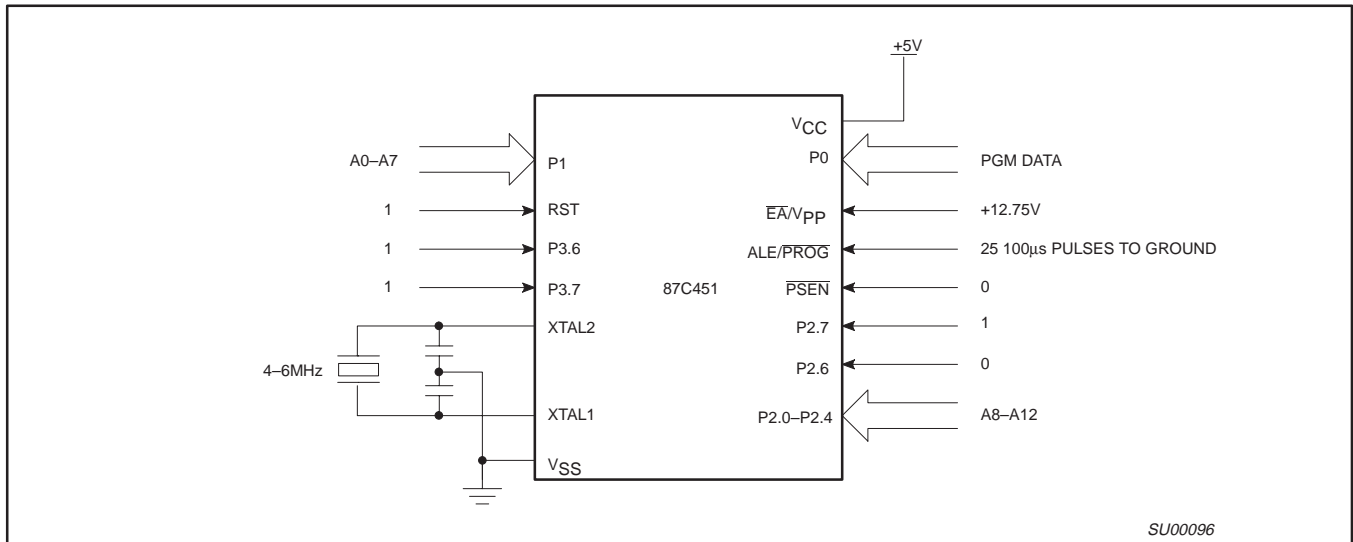


Figure 18. Programming Configuration

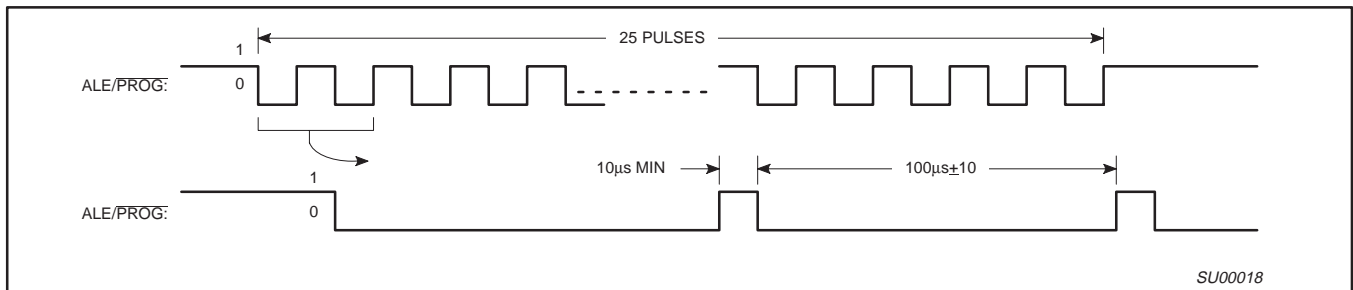


Figure 19. PROG Waveform

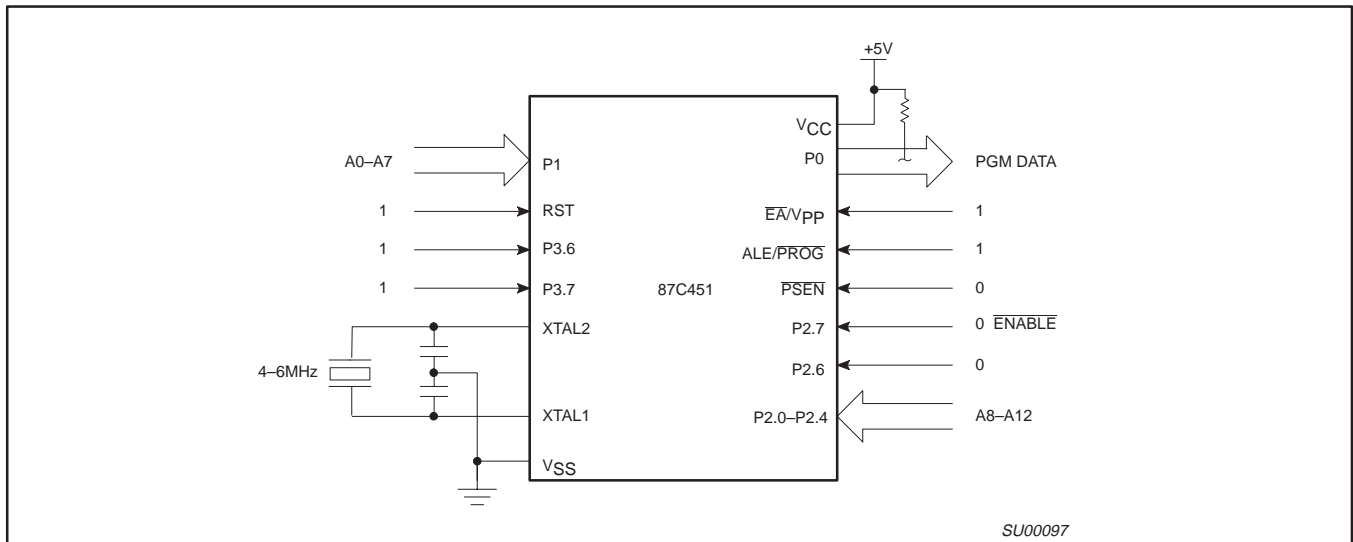


Figure 20. Program Verification

80C51 8-bit microcontroller family

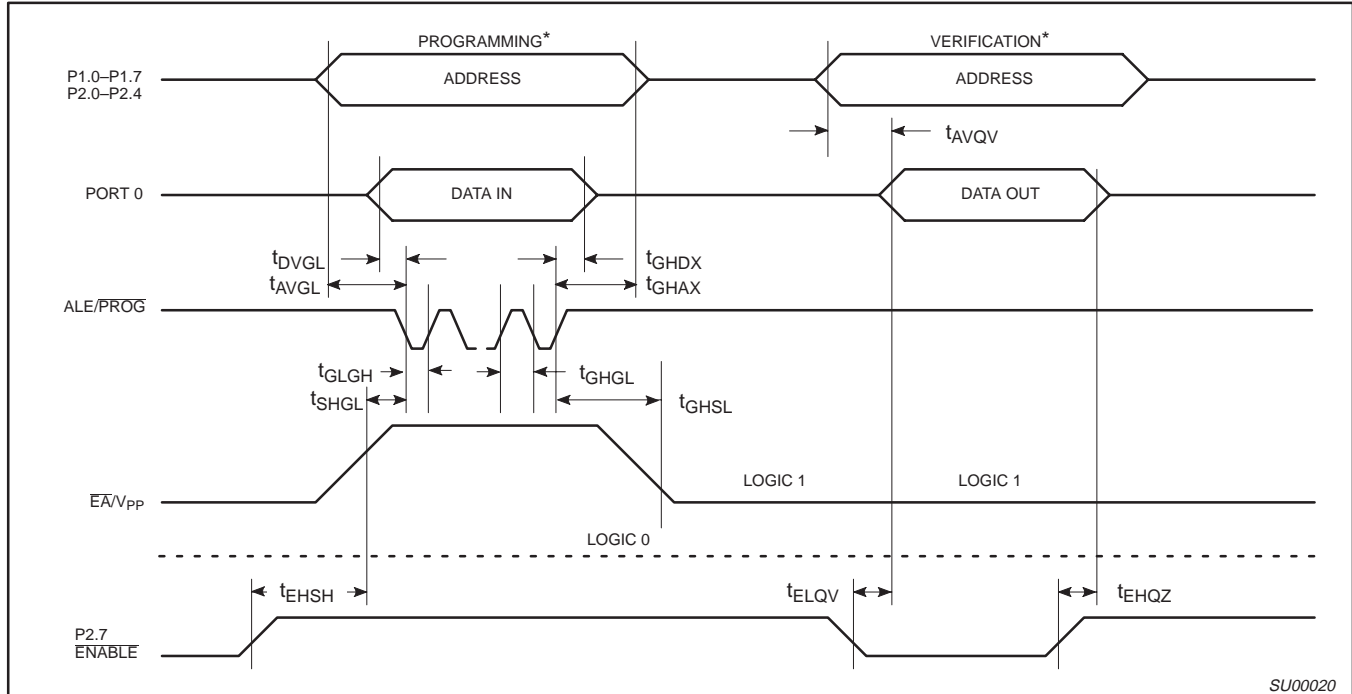
4K/128 OTP/ROM/ROMless, expanded I/O

80C451/83C451/87C451

EPROM PROGRAMMING AND VERIFICATION CHARACTERISTICS

$T_{amb} = 21^{\circ}\text{C}$ to $+27^{\circ}\text{C}$, $V_{CC} = 5V \pm 10\%$, $V_{SS} = 0V$ (See Figure 21)

SYMBOL	PARAMETER	MIN	MAX	UNIT
V_{PP}	Programming supply voltage	12.5	13.0	V
I_{PP}	Programming supply current		50	mA
$1/t_{CLCL}$	Oscillator frequency	4	6	MHz
t_{AVGL}	Address setup to \overline{PROG} low	$48t_{CLCL}$		
t_{GHAX}	Address hold after \overline{PROG}	$48t_{CLCL}$		
t_{DVGL}	Data setup to \overline{PROG} low	$48t_{CLCL}$		
t_{GHDX}	Data hold after \overline{PROG}	$48t_{CLCL}$		
t_{EHS}	P2.7 (\overline{ENABLE}) high to V_{PP}	$48t_{CLCL}$		
t_{SHGL}	V_{PP} setup to \overline{PROG} low	10		μs
t_{GHSL}	V_{PP} hold after \overline{PROG}	10		μs
t_{GLGH}	\overline{PROG} width	90	110	μs
t_{AVQV}	Address to data valid		$48t_{CLCL}$	
t_{ELQZ}	\overline{ENABLE} low to data valid		$48t_{CLCL}$	
t_{EHQZ}	Data float after \overline{ENABLE}	0	$48t_{CLCL}$	
t_{GHGL}	\overline{PROG} high to \overline{PROG} low	10		μs



NOTE:

* FOR PROGRAMMING VERIFICATION SEE FIGURE 18.
 FOR VERIFICATION CONDITIONS SEE FIGURE 20.

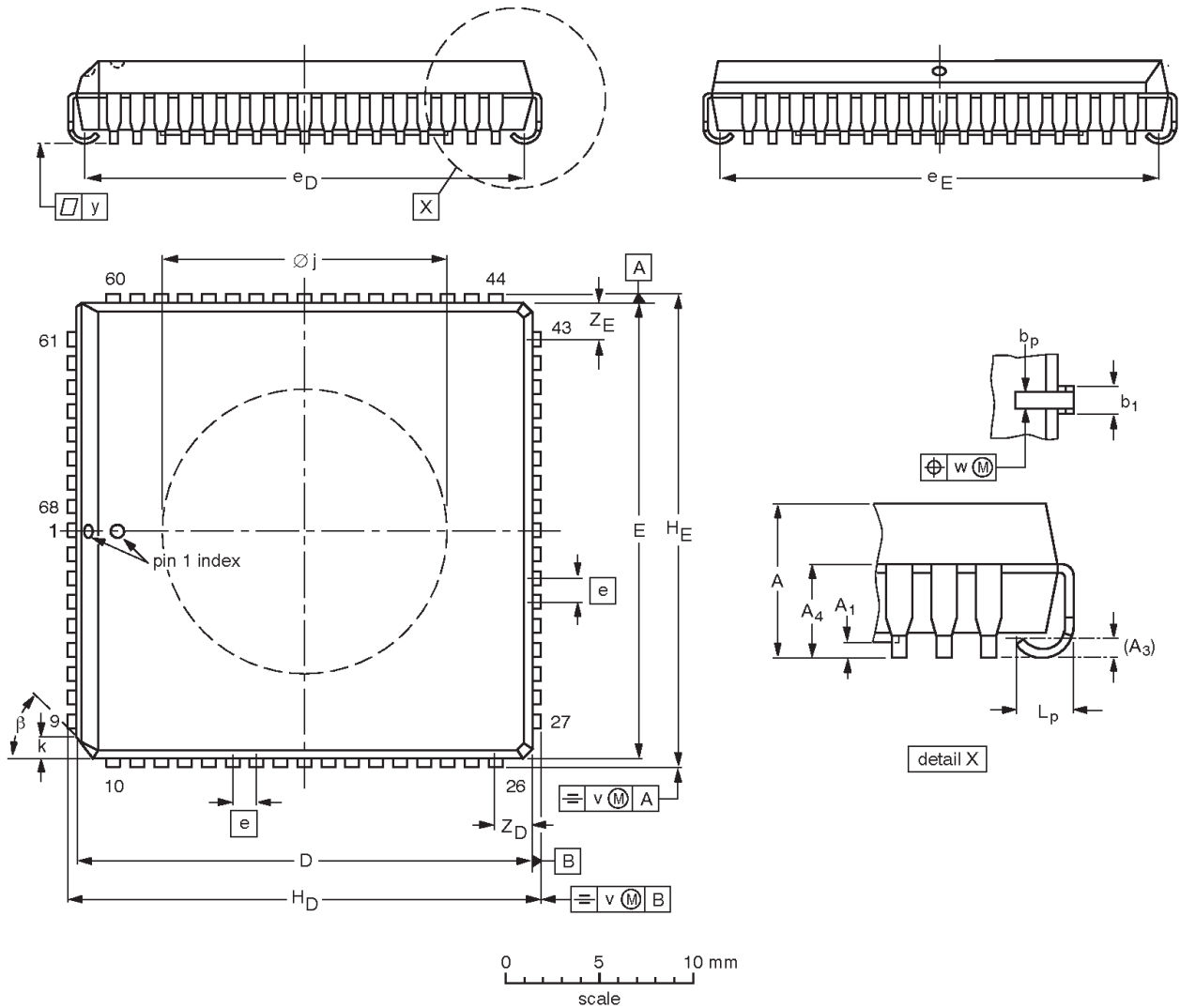
Figure 21. EPROM Programming and Verification

80C51 8-bit microcontroller family
4K/128 OTP/ROM/ROMless, expanded I/O

80C451/83C451/87C451

PLCC68: plastic leaded chip carrier; 68 leads; pedestal

SOT188-3



DIMENSIONS (millimetre dimensions are derived from the original inch dimensions)

UNIT	A	A ₁ min.	A ₃	A ₄ max.	b _p	b ₁	D ⁽¹⁾	E ⁽¹⁾	e	e _D	e _E	H _D	H _E	k	$\varnothing j$	L _p	v	w	y	Z _D ⁽¹⁾ max.	Z _E ⁽¹⁾ max.	β
mm	4.57 4.19	0.13	0.25	3.05	0.53 0.33	0.81 0.66	24.33 24.13	24.33 24.13	1.27	23.62 22.61	23.62 22.61	25.27 25.02	25.27 25.02	1.22 1.07	15.34 15.19	1.44 1.02	0.18	0.18	0.10	2.06	2.06	45°
inches	0.180 0.165	0.005	0.01	0.12	0.021 0.013	0.032 0.026	0.958 0.950	0.958 0.950	0.05	0.930 0.890	0.930 0.890	0.995 0.985	0.995 0.985	0.048 0.042	0.604 0.598	0.057 0.040	0.007	0.007	0.004	0.081	0.081	

Note

1. Plastic or metal protrusions of 0.01 inches maximum per side are not included.

OUTLINE VERSION	REFERENCES			EUROPEAN PROJECTION	ISSUE DATE
	IEC	JEDEC	EIAJ		
SOT188-3	112E10	MO-047AE			95-02-25 97-12-16

80C51 8-bit microcontroller family

4K/128 OTP/ROM/ROMless, expanded I/O

80C451/83C451/87C451

Data sheet status

Data sheet status	Product status	Definition [1]
Objective specification	Development	This data sheet contains the design target or goal specifications for product development. Specification may change in any manner without notice.
Preliminary specification	Qualification	This data sheet contains preliminary data, and supplementary data will be published at a later date. Philips Semiconductors reserves the right to make changes at any time without notice in order to improve design and supply the best possible product.
Product specification	Production	This data sheet contains final specifications. Philips Semiconductors reserves the right to make changes at any time without notice in order to improve design and supply the best possible product.

[1] Please consult the most recently issued datasheet before initiating or completing a design.

Definitions

Short-form specification — The data in a short-form specification is extracted from a full data sheet with the same type number and title. For detailed information see the relevant data sheet or data handbook.

Limiting values definition — Limiting values given are in accordance with the Absolute Maximum Rating System (IEC 134). Stress above one or more of the limiting values may cause permanent damage to the device. These are stress ratings only and operation of the device at these or at any other conditions above those given in the Characteristics sections of the specification is not implied. Exposure to limiting values for extended periods may affect device reliability.

Application information — Applications that are described herein for any of these products are for illustrative purposes only. Philips Semiconductors make no representation or warranty that such applications will be suitable for the specified use without further testing or modification.

Disclaimers

Life support — These products are not designed for use in life support appliances, devices or systems where malfunction of these products can reasonably be expected to result in personal injury. Philips Semiconductors customers using or selling these products for use in such applications do so at their own risk and agree to fully indemnify Philips Semiconductors for any damages resulting from such application.

Right to make changes — Philips Semiconductors reserves the right to make changes, without notice, in the products, including circuits, standard cells, and/or software, described or contained herein in order to improve design and/or performance. Philips Semiconductors assumes no responsibility or liability for the use of any of these products, conveys no license or title under any patent, copyright, or mask work right to these products, and makes no representations or warranties that these products are free from patent, copyright, or mask work right infringement, unless otherwise specified.

Philips Semiconductors
811 East Arques Avenue
P.O. Box 3409
Sunnyvale, California 94088-3409
Telephone 800-234-7381

© Copyright Philips Electronics North America Corporation 1998
All rights reserved. Printed in U.S.A.

Date of release: 05-98

Document order number:

9397 75003857

Let's make things better.