

# 1:8 Clock Fanout Buffer

## Features

- Low voltage operation
- $V_{DD} = 3.3V$
- 1:8 fanout
- Single-input-configurable for LVDS, LVPECL, or LVTTTL
- 8 pair of LVDS Outputs
- Drives either a 50-ohm or 100-ohm load (selectable)
- Low input capacitance
- Low output skew
- Low propagation delay
- Typical (tpd < 4 ns)
- Packages available include: TSSOP
- Does not exceed Bellcore 802.3 standards
- Operation at => 350 MHz – 700 Mbps

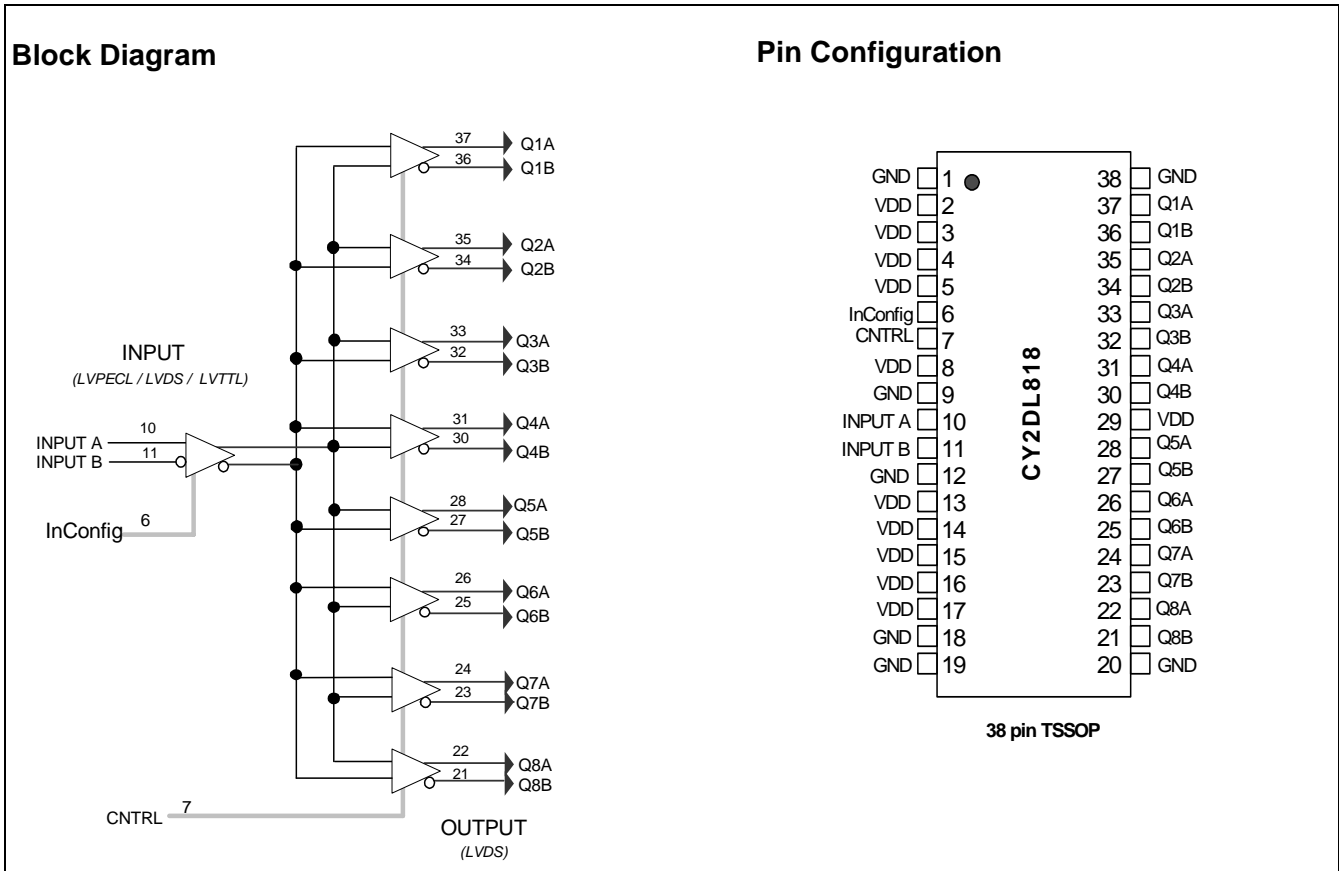
## Description

This Cypress series of network circuits is produced using advanced 0.35-micron CMOS technology, achieving the industry's fastest logic.

The Cypress CY2DL818 fanout buffer features a single LVDS or a single-ended LVTTTL-compatible input and eight LVDS output pairs.

Designed for data communications clock management applications, the large fanout from a single input reduces loading on the input clock. The Cypress CY2DL818 is ideal for both level translations from single-ended to LVDS and/or for the distribution of LVDS-based clock signals.

The Cypress CY2DL818 has configurable input and output functions. The input can be selectable for LVCMOS/LVTTTL, LVPECL, or LVDS signals, while the output drivers support standard and high-drive LVDS. Drive either a 50-ohm or 100-ohm line with a single part number/device.



**Pin Description**

Pin Number	Pin Name	Pin Standard Interface	Pin Description
1, 9,12, 18,19,20,38	G <sub>ND</sub>	POWER	Ground
2,3,4,5,8, 13 14,15,16,17,29	V <sub>DD</sub>	POWER	Power Supply
10,11	Input A, Input B(#)	Default: LVPECL / LDVS Optional: LVTTTL/LVCMOS single pin.	Differential input pair or single line. LVPECL/LVDS default. See InConfig below.
37, 36,35,34, 33,32,31, 30, 28,27,26,25, 24,23,22,21	Q1A, Q1B, Q2A, Q2B, Q3A, Q3B, Q4A, Q4B, Q5A, Q5B, Q6A, Q6B, Q7A, Q7B, Q8A, Q8B	LDVS	Differential Outputs
6	InConfig	LVTTTL / LVCMOS	Converts inputs from the default LVPECL/LVDS (logic = 0) To LVTTTL/LVCMOS (logic = 1) "default pull-up" See <i>Figure 5</i> and <i>Figure 6</i> for additional information
7	CNTRL	LVTTTL / LVCMOS	Converts into a high-speed driver. Logic = 0 = 100 ohm Logic = 1 = 50-ohm "default pull-up" See <i>Figure 7</i> for additional Information

**Output Drive Control for Standard and Bus/B/Hi-Drive**

CNTRL Pin 7 Binary Value	Drive STD	Impedance	Output Voltage Value
0	Standard	100 Ohms	$V_O = V_{\text{output}}$
		50 Ohms	$V = 1/2 * V_O$
1	Hi-drive/Bus/B	100 Ohms	$V = 2 * V_O$
		50 Ohms	$V = V_O$

**Input Receiver Configuration for Differential or LVTTTL/LVCMOS**

InCONFIG Pin 6 Binary Value	Input Receiver Family	Input Receiver Type
1	LVTTTL in LVCMOS	Single-ended non-inverting, inverting, void of bias resistors.
	LVDS	Low-voltage differential signaling
0	LVPECL	Low-voltage pseudo (positive) emitter coupled logic

**Function Control of the TTL Input Logic Used to Accept or Invert the Input Signal**

LVTTTL/LVCMOS INPUT LOGIC			
Input Condition		Input Logic	Output Logic Q Pins, Q1A or Q1
Ground	Input B (-) Pin 11	Input	Input
	Input A (+) Pin 10	Input - Bar	Input - Bar
VCC	Input B (-) Pin 11	Input	Input - Bar
	Input A (+) Pin 10	Input - Bar	Input
Ground	Input A (+) Pin 10	Input	Input
	Input B (-) Pin 11	Input - Bar	Input - Bar
VCC	Input A (+) Pin 10	Input	Input - Bar
	Input B (-) Pin 11	Input - Bar	Input

**Power Supply Characteristics**

Parameter	Description	Test Conditions	Min.	Typ.	Max.	Unit
I <sub>CCD</sub>	Dynamic Power Supply Current	V <sub>DD</sub> = Max Input toggling 50% Duty Cycle, Outputs Open		0.40	0.5	mA/MHz
I <sub>C</sub>	Total Power Supply Current	V <sub>DD</sub> = Max Input toggling 50% Duty Cycle, Outputs Open f <sub>L</sub> = 100 MHz		40	80	mA

**Maximum Ratings<sup>[1][2]</sup>**

Storage Temperature: ..... -65°C to + 150°C  
 Ambient Temperature:..... -40°C to +85°C  
 Supply Voltage to Ground Potential  
 (Inputs and V<sub>CC</sub> only)..... -0.3V to 4.6V

Supply Voltage to Ground Potential

(Outputs only) ..... -0.3V to V<sub>DD</sub> + 0.3V  
 DC Input Voltage ..... -0.3V to V<sub>DD</sub> + 0.3V  
 DC Output Voltage..... -0.3V to V<sub>DD</sub> + 0.9V  
 Power Dissipation..... 0.75W

**DC Electrical Characteristics: 3.3V–LVDS Input**

Parameter	Description	Conditions		Min.	Typ.	Max.	Unit
V <sub>ID</sub>	Magnitude of Differential Input Voltage			100		600	mV
V <sub>IC</sub>	Common-mode of Differential Input Voltage  V <sub>ID</sub>   (min. and max.)			V <sub>ID</sub> /2	2.4 - (V <sub>ID</sub> /2)		V
V <sub>IH</sub>	Input High Voltage	Guaranteed Logic High Level	InConfig/Cntrl Pins	2			V
V <sub>IL</sub>	Input Low Voltage	Guaranteed Logic Low Level				0.8	V
I <sub>IH</sub>	Input High Current	V <sub>DD</sub> = Max	V <sub>IN</sub> = V <sub>DD</sub>		±10	±20	µA
I <sub>IL</sub>	Input Low Current	V <sub>DD</sub> = Max	V <sub>IN</sub> = V <sub>SS</sub>		±10	±20	µA
I <sub>I</sub>	Input High Current	V <sub>DD</sub> = Max, V <sub>IN</sub> = V <sub>DD</sub> (max.)				±20	µA

**DC Electrical Characteristics: 3.3V–LVPECL Input**

Parameter	Description	Conditions		Min.	Typ.	Max.	Unit
V <sub>ID</sub>	Differential input voltage p-p	Guaranteed Logic High Level		400		2400	mV
V <sub>CM</sub>	Common-Mode Voltage			1.65		2.25	V
I <sub>IH</sub>	Input High Current	V <sub>DD</sub> = Max	V <sub>IN</sub> = V <sub>DD</sub>		±10	±20	µA
I <sub>IL</sub>	Input Low Current	V <sub>DD</sub> = Max	V <sub>IN</sub> = V <sub>SS</sub>		±10	±20	µA

**DC Electrical Characteristics: 3.3V–LVTTTL/LVCMOS Input**

Parameter	Description	Conditions		Min.	Typ.	Max.	Unit
V <sub>IH</sub>	Input High Voltage	Guaranteed Logic High Level		2			V
V <sub>IL</sub>	Input Low Voltage	Guaranteed Logic Low Level				0.8	V
I <sub>IH</sub>	Input High Current	V <sub>DD</sub> = Max	V <sub>IN</sub> = 2.7V			1	µA
I <sub>IL</sub>	Input Low Current	V <sub>DD</sub> = Max	V <sub>IN</sub> = 0.5V			-1	µA
I <sub>I</sub>	Input High Current	V <sub>DD</sub> = Max., V <sub>IN</sub> = V <sub>DD</sub> (Max)				20	µA
V <sub>IK</sub>	Clamp Diode Voltage	V <sub>DD</sub> = Min., I <sub>IN</sub> = -18mA			-0.7	-1.2	V
V <sub>H</sub>	Input Hysteresis				80		mV

**DC Electrical Characteristics: 3.3V–LVDS OUTPUT**

Parameter	Description	Conditions		Min.	Typ.	Max.	Unit
V <sub>OD</sub>	Differential Output Voltage p-p	V <sub>DD</sub> = 3.3V, V <sub>IN</sub> = V <sub>IH</sub> or V <sub>IL</sub>	RL = 100 ohm	0.25		0.55	V
Risetime	Pin Control (pin 7) logic is "FALSE" defaulting to 100-ohm output Differential 20% to 80%	CL – 10 pF RL and CL to G <sub>ND</sub> CL = C <sub>intrinsic</sub> and C <sub>external</sub> See Figure 3			800	1500	ps
Falltime				800	1500	ps	
Risetime	Pin Control (pin 7) logic is "TRUE" setting 50-ohm output drivers differential 20% to 80%	CL – 10 pF RL and CL to G <sub>ND</sub> CL = C <sub>intrinsic</sub> and C <sub>external</sub> See Figure 3	RL = 50 ohm		350	600	ps
Falltime					350	600	ps
I <sub>OS</sub>	Output Short Circuit	D <sub>OUT</sub> = 0V or D <sub>OUT</sub> = 0V				-10	mA
V <sub>OH</sub>	Output Voltage high		RL = 100 ohm			1550	mV
V <sub>OL</sub>	Output Voltage low				925		mV

**Notes:**

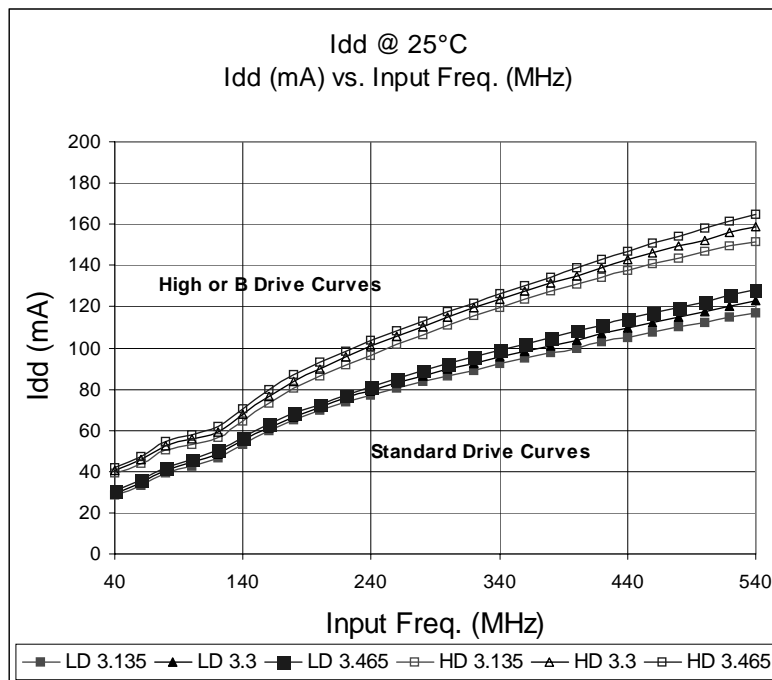
- Stresses greater than those listed under absolute maximum ratings may cause permanent damage to the device. This is intended to be a stress rating only and functional operation of the device at these or any other conditions above those indicated in the operation sections of this specification is not implied. Exposure to absolute maximum rating conditions for extended periods may affect reliability.
- Multiple Supplies: The voltage on any input or I/O pin cannot exceed the power pin during power-up. Power supply sequencing is NOT required.

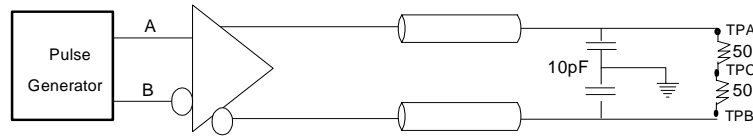
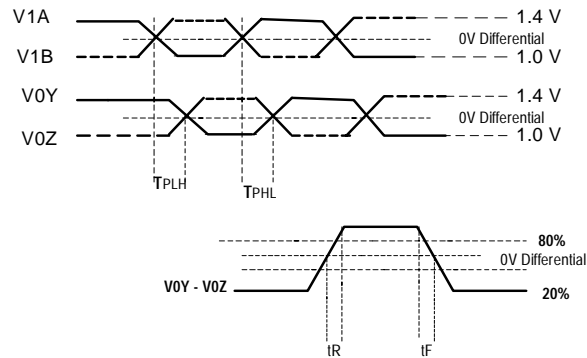
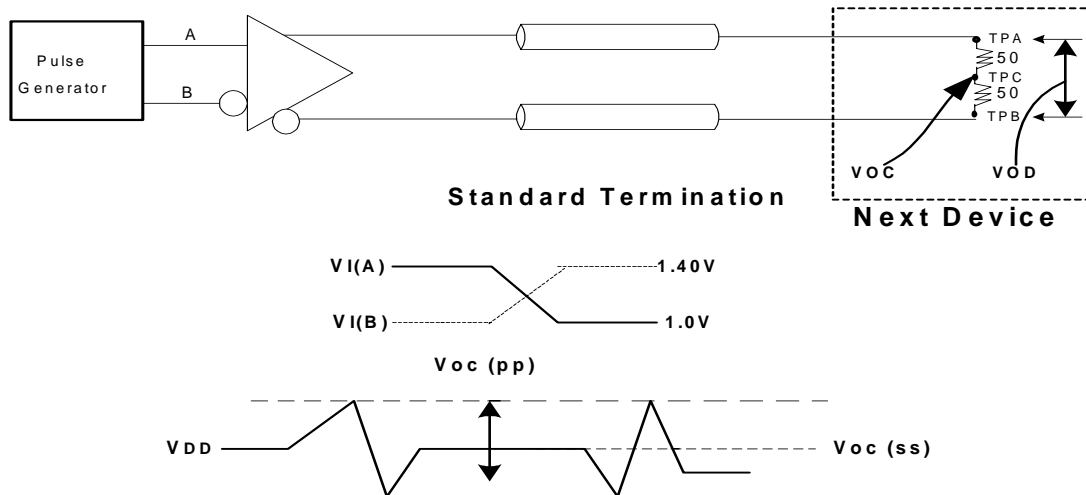
**AC Switching Characteristics @ 3.3 V**  $V_{DD} = 3.3V \pm 5\%$ , Temperature =  $-40^{\circ}C$  to  $+85^{\circ}C$ 

Parameter	Description	Conditions	Min.	Typ	Max	Unit
$t_{PLH}$	Propagation Delay – Low to High			4.5		ns
$t_{PHL}$	Propagation Delay – High to Low			4.5		ns
$t_{SK(0)}$	Output Skew: Skew between outputs of the same package (in phase)				200	ps
$t_{SK(p)}$	Pulse Skew: Skew between opposite transitions of the same output ( $t_{PHL} - t_{PLH}$ )			200		ps
$t_{SK(t)}$	Package Skew: Skew between outputs of different packages at the same power supply voltage, temperature and package type.				1.6	ns

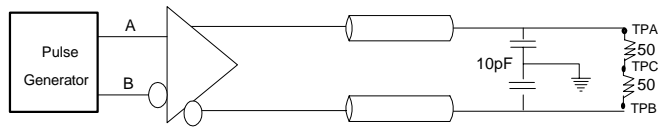
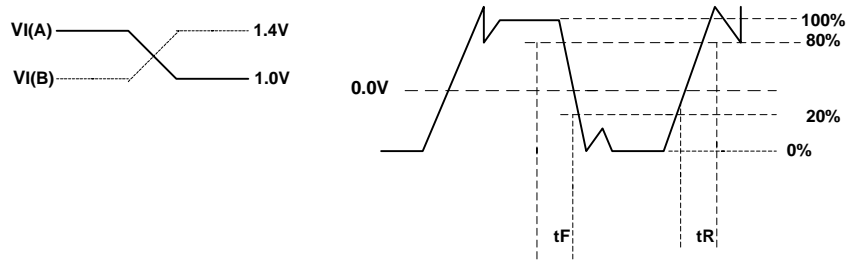
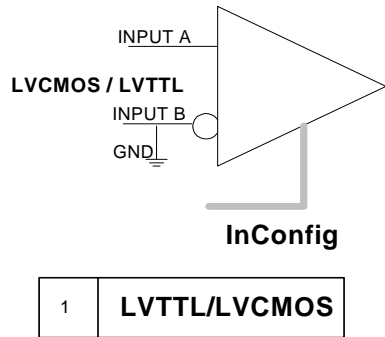
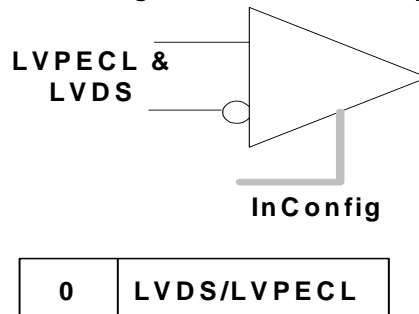
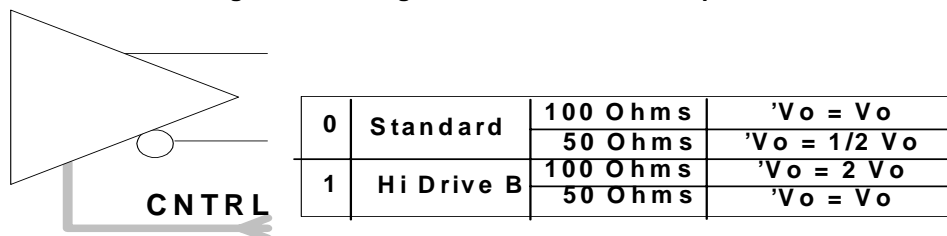
**High Frequency Parametrics**

Parameter	Description	Conditions	Min.	Typ	Max	Unit
$F_{max}$	Maximum frequency $V_{DD} = 3.3V$	50% duty cycle $tW(50-50)$ Standard Load Circuit. LVDS $V_{ID} = 100 mV$			400	MHz
$D_j$	Deterministic Jitter	50% duty cycle $tW(50-50)$ Standard Load Circuit. LVDS $V_{ID} = 100 mV$		50		ps


**Figure 1. IDD Current vs. Frequency in Low Drive and High Drive Full Load**


**Standard Termination**

**Figure 2. Differential Receiver to Driver Propagation Delay and Driver Transition Time**<sup>[3,4,5,6]</sup>

**Figure 3. Test Circuit and Voltage Definitions for the Driver Common-Mode Output Voltage**<sup>[3,4,5,6,7]</sup>
**Notes:**

3. All input pulses are supplied by a frequency generator with the following characteristics:  $T_R$  and  $t_F \leq 1$  ns; pulse rate = 50 Mpps; pulse width =  $10 \pm 0.2$  ns.
4.  $R_L = 50$  ohm/100 ohm  $\pm 1\%$ .
5. CL includes instrumentation and fixture capacitance within 6 mm of the DUT.
6. TPA and B are used for prop delay and Rise/Fall Measurements. TPC is used for VOC measurements only.
7. All outputs should be loaded, used or not, in order to minimize noise and currents.

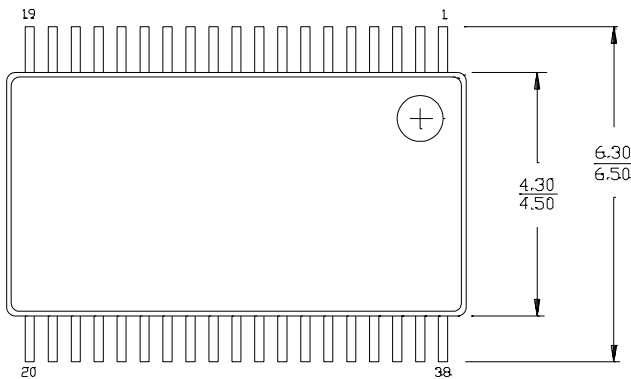

**Standard Termination**

**Figure 4. Test Circuit and Voltage Definitions for the Differential Output Signal** [3,4,5,6]

**Figure 5. InConfig Control for LVCMOS Input**[8]

**Figure 6. InConfig Control for Differential Input**[9]

**Figure 7. CNTRL Control for Standard or High-drive Drivers**[10]

**Notes:**

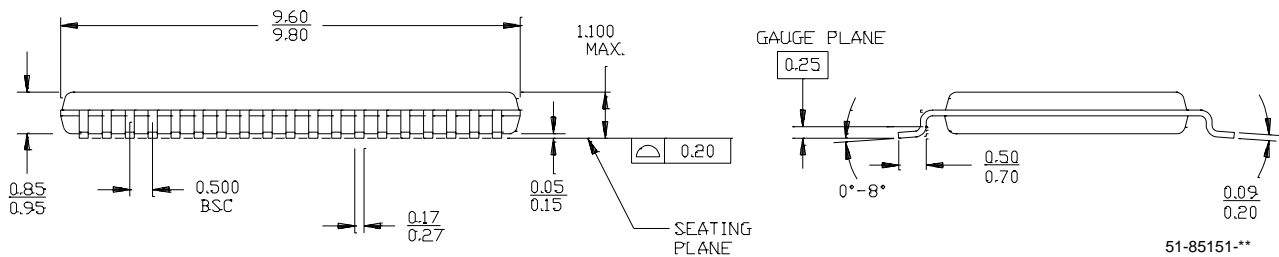
8. See Function Control of the TTL Input Logic Used to Accept or Invert the Input Signal on page 2.
9. LVPECL or LVDS differential input value.
10. Standard 100-ohm output impedance: high-drive 50-ohm output impedance.

**Ordering Information**

Part Number	Package Type	Product Flow
CY2DL818ZI	38-pin TSSOP	Industrial, -40° to 85°C
CY2DL818ZIT	38-pin TSSOP-Tape and Reel	Industrial, -40° to 85°C
CY2DL818ZC	38-pin TSSOP	Commercial, 0° to 70°C
CY2DL818ZCT	38-pin TSSOP-Tape and Reel	Commercial, 0° to 70°C

**Package Drawing and Dimensions**
**38-pin TSSOP (4.40 mm body) Z38**


DIMENSIONS IN MM MIN.  
MAX.



All product and company names mentioned in this document are the trademarks of their respective holders.

Document Title: CY2DL818 1:8 Clock Fanout Buffer  
Document Number: 38-07058

Rev.	ECN No.	Issue Date	Orig. of Change	Description of Change
**	115151	05/30/02	EHX	New Data Sheet
*A	117611	09/16/02	RGL	Changed the figure cross reference in page 2 and added a note 6 in page 5
*B	122745	12/15/02	RBI	Added power-up requirements to maximum ratings information.