

256K (32K x 8) Static RAM

Features

- **Temperature Ranges**
 - Commercial: 0°C to 70°C
 - Industrial: -40°C to 85°C
 - Automotive: -40°C to 125°C
- **Speed: 70 ns and 100 ns**
- **Low voltage range:**
 - CY62256V (2.7V–3.6V)
 - CY62256V25 (2.3V–2.7V)
- **Low active power and standby power**
- **Easy memory expansion with \overline{CE} and \overline{OE} features**
- **TTL-compatible inputs and outputs**
- **Automatic power-down when deselected**
- **CMOS for optimum speed/power**
- **Package available in a standard 450-mil-wide (300-mil body width) 28-lead narrow SOIC, 28-lead TSOP-1, and reverse 28-lead TSOP-1 package**

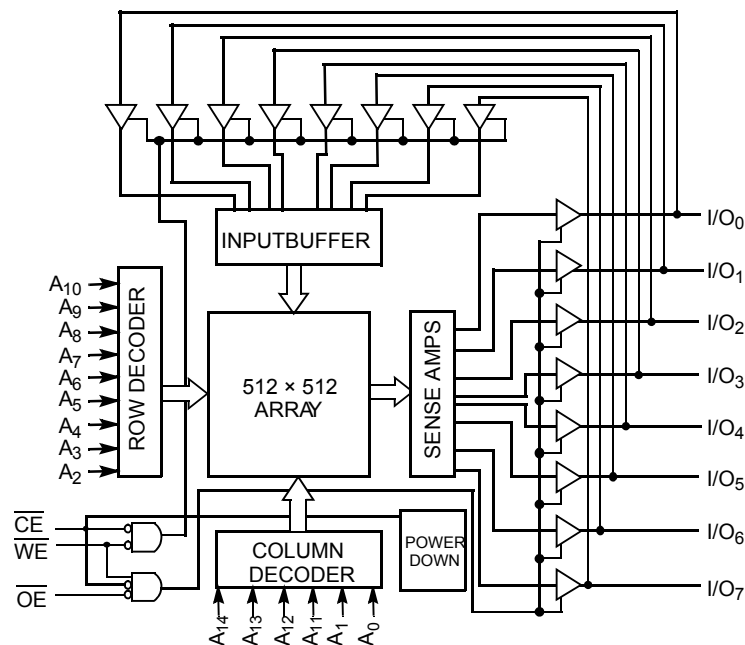
Functional Description^[1]

The CY62256V family is composed of two high-performance CMOS static RAM's organized as 32K words by 8 bits. Easy memory expansion is provided by an active LOW chip enable (\overline{CE}) and active LOW output enable (\overline{OE}) and three-state drivers. These devices have an automatic power-down feature, reducing the power consumption by over 99% when deselected.

An active LOW write enable signal (\overline{WE}) controls the writing/reading operation of the memory. When \overline{CE} and \overline{WE} inputs are both LOW, data on the eight data input/output pins (I/O_0 through I/O_7) is written into the memory location addressed by the address present on the address pins (A_0 through A_{14}). Reading the device is accomplished by selecting the device and enabling the outputs, \overline{CE} and \overline{OE} active LOW, while \overline{WE} remains inactive or HIGH. Under these conditions, the contents of the location addressed by the information on address pins are present on the eight data input/output pins.

The input/output pins remain in a high-impedance state unless the chip is selected, outputs are enabled, and write enable (\overline{WE}) is HIGH.

Logic Block Diagram

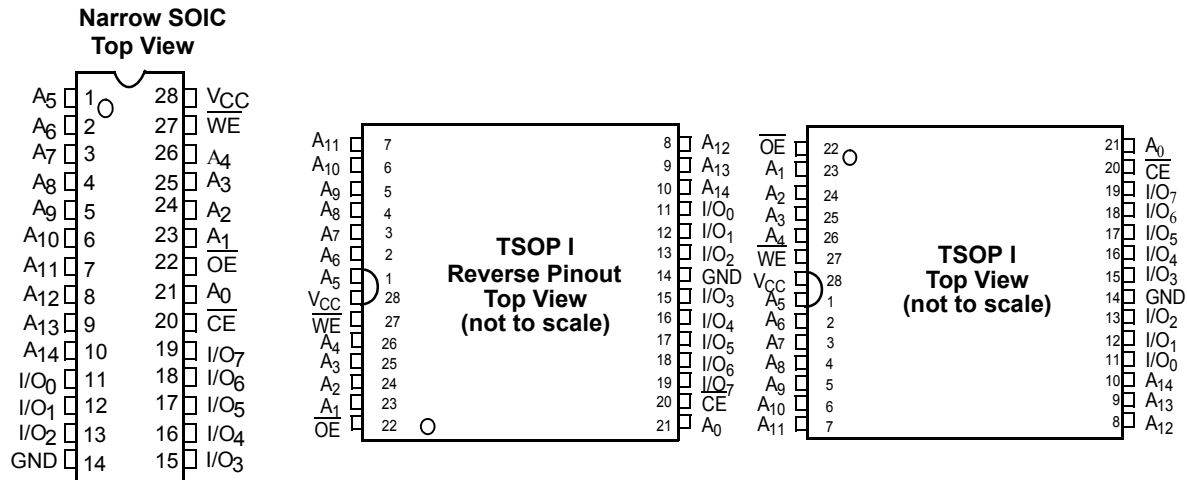


Note:

1. For best practice recommendations, please refer to the Cypress application note "System Design Guidelines" on <http://www.cypress.com>.

Product Portfolio

Product	Range	V _{CC} Range (V)			Speed (ns)	Power Dissipation			
		Min.	Typ. ^[2]	Max.		Operating, I _{CC} (mA)		Standby, I _{SB2} (μA)	
						Typ. ^[2]	Max.	Typ. ^[2]	Max.
CY62256VLL	Com'l / Ind'l	2.7	3.0	3.6	70	11	30	0.1	5
CY62256VLL	Automotive	2.7	3.0	3.6	70	11	30	0.1	130
CY62256V25LL	Com'l	2.3	2.5	2.7	100	9	15	0.1	4

Pin Configurations

Pin Definitions

Pin Number	Type	Description
1-10, 21, 23-26	Input	A₀-A₁₄ . Address Inputs
11-13, 15-19	Input/Output	I/O₀-I/O₇ . Data lines. Used as input or output lines depending on operation
27	Input/Control	WE . When selected LOW, a WRITE is conducted. When selected HIGH, a READ is conducted
20	Input/Control	CE . When LOW, selects the chip. When HIGH, deselects the chip
22	Input/Control	OE . Output Enable. Controls the direction of the I/O pins. When LOW, the I/O pins behave as outputs. When deasserted HIGH, I/O pins are three-stated, and act as input data pins
14	Ground	GND . Ground for the device
28	Power Supply	V_{CC} . Power supply for the device

Notes:

- Typical values are included for reference only and are not guaranteed or tested. Typical values are measured at V_{CC} = V_{CC} Typ., T_A = 25°C, and t_{AA} = 70 ns.

Maximum Ratings

(Above which the useful life may be impaired. For user guidelines, not tested.)

Storage Temperature -65°C to +150°C
 Ambient Temperature with Power Applied..... -55°C to +125°C
 Supply Voltage to Ground Potential (Pin 28 to Pin 14) -0.5V to +4.6V
 DC Voltage Applied to Outputs in High-Z State^[3] -0.5V to $V_{CC} + 0.5V$
 DC Input Voltage^[3] -0.5V to $V_{CC} + 0.5V$
 Output Current into Outputs (LOW) 20 mA

Static Discharge Voltage..... > 2001V (per MIL-STD-883, Method 3015)

Latch-up Current..... > 200 mA

Operating Range

Device	Range	Ambient Temperature (T _A) ^[4]	V _{CC}
CY62256V	Commercial	0°C to +70°C	2.7V to 3.6V
	Industrial	-40°C to +85°C	
	Automotive	-40°C to +125°C	
CY62256V25	Commercial	0°C to +70°C	2.3V to 2.7V

Electrical Characteristics Over the Operating Range

Parameter	Description	Test Conditions	CY62256V-70			Unit	
			Min.	Typ. ^[2]	Max.		
V _{OH}	Output HIGH Voltage	I _{OH} = -1.0 mA	V _{CC} = 2.7V	2.4		V	
V _{OL}	Output LOW Voltage	I _{OL} = 2.1 mA	V _{CC} = 2.7V		0.4	V	
V _{IH}	Input HIGH Voltage			2.2	V _{CC} + 0.3V	V	
V _{IL}	Input Leakage Voltage			-0.5	0.8	V	
I _{IX}	Input Leakage Current	GND ≤ V _{IN} ≤ V _{CC}	Com'l, Ind'l	-1	+1	μA	
			Automotive	-10	+10	μA	
I _{OZ}	Output Leakage Current	GND ≤ V _{IN} ≤ V _{CC} , Output Disabled	Com'l, Ind'l	-1	+1	μA	
			Automotive	-10	+10	μA	
I _{CC}	V _{CC} Operating Supply Current	V _{CC} = 3.6V, I _{OUT} = 0 mA, f = f _{MAX} = 1/t _{RC}	All ranges		11	30	mA
I _{SB1}	Automatic CE Power-down Current— TTL Inputs	V _{CC} = 3.6V, CE ≥ V _{IH} , V _{IN} ≥ V _{IH} or V _{IN} ≤ V _{IL} , f = f _{MAX}	All ranges		100	300	μA
I _{SB2}	Automatic CE Power-down Current— CMOS Inputs	V _{CC} = 3.6V, CE ≥ V _{CC} - 0.3V, V _{IN} ≥ V _{CC} - 0.3V or V _{IN} ≤ 0.3V, f = 0	Com'l	0.1	5	130	
			Ind'l				10
			Automotive				

Electrical Characteristics Over the Operating Range

Parameter	Description	Test Conditions	CY62256V25-100			Unit
			Min.	Typ. ^[2]	Max.	
V _{OH}	Output HIGH Voltage	I _{OH} = -0.1 mA	V _{CC} = 2.3V	2		V
V _{OL}	Output LOW Voltage	I _{OL} = 0.1 mA	V _{CC} = 2.3V		0.4	V
V _{IH}	Input HIGH Voltage			1.7	V _{CC} + 0.3V	V
V _{IL}	Input LOW Voltage			-0.3	0.7	V
I _{IX}	Input Leakage Current	GND ≤ V _{IN} ≤ V _{CC}		-1	+1	μA
I _{OZ}	Output Leakage Current	GND ≤ V _{IN} ≤ V _{CC} , Output Disabled		-1	+1	μA

Notes:

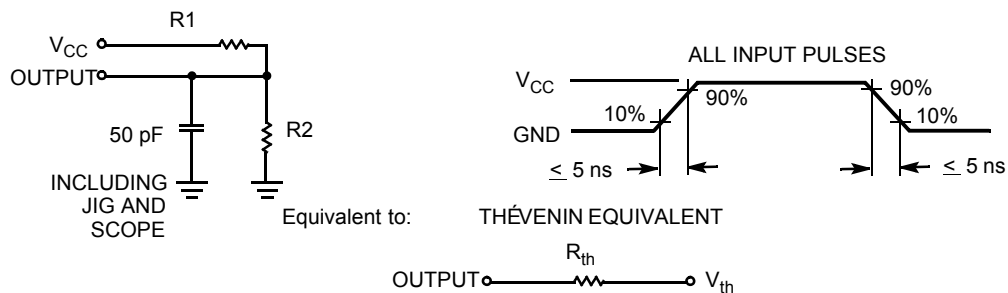
- V_{IL} (min.) = -2.0V for pulse durations of less than 20 ns.
- T_A is the "Instant-On" case temperature

Electrical Characteristics Over the Operating Range (continued)

Parameter	Description	Test Conditions	CY62256V25-100			Unit
			Min.	Typ. ^[2]	Max.	
I_{CC}	V_{CC} Operating Supply Current	$V_{CC} = 2.7V, I_{OUT} = 0\text{ mA}, f = f_{MAX}$ $= 1/t_{RC}$		9	15	mA
I_{SB1}	Automatic CE Power-down Current— TTL Inputs	$V_{CC} = 2.7V, CE \geq V_{IH},$ $V_{IN} \geq V_{IH}$ or $V_{IN} \leq V_{IL}, f = f_{MAX}$		75	225	μA
I_{SB2}	Automatic CE Power-down Current — CMOS Inputs	$V_{CC} = 2.7V, CE \geq V_{CC} - 0.3V$ $V_{IN} \geq V_{CC} - 0.3V$ or $V_{IN} \leq 0.3V, f = 0$	Com'l	0.1	4	
			Ind'l		8	

Capacitance^[5]

Parameter	Description	Test Conditions	Max.	Unit
C_{IN}	Input Capacitance	$T_A = 25^\circ\text{C}, f = 1\text{ MHz},$ $V_{CC} = 3.0V$	6	pF
C_{OUT}	Output Capacitance		8	pF

AC Test Loads and Waveforms


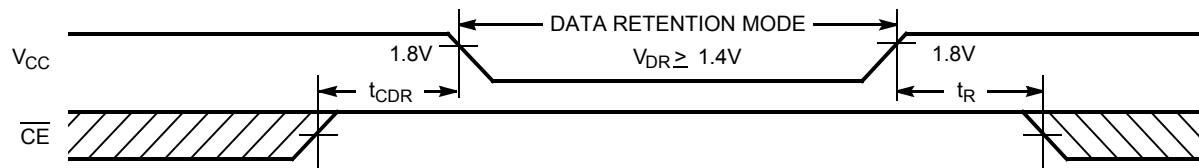
Parameter	3.3V	2.5V	Units
R1	1100	16600	Ohms
R2	1500	15400	Ohms
RTH	645	8000	Ohms
VTH	1.750	1.20	Volts

Notes:

- Tested initially and after any design or process changes that may affect these parameters.

Data Retention Characteristics (Over the Operating Range)

Parameter	Description	Conditions ^[6]	Min.	Typ. ^[2]	Max.	Unit	
V_{DR}	V_{CC} for Data Retention		1.4			V	
I_{CCDR}	Data Retention Current	$V_{CC} = 1.6V, CE \geq V_{CC} - 0.3V,$ $V_{IN} \geq V_{CC} - 0.3V$ or $V_{IN} \leq 0.3V$	Com'l	0.1	3	μA	
			Ind'l				6
			Auto				50
$t_{CDR}^{[6]}$	Chip Deselect to Data Retention Time		0			ns	
$t_R^{[6]}$	Operation Recovery Time		t_{RC}			ns	

Data Retention Waveform

Thermal Resistance

Parameter	Description	Test Conditions	SOIC	TSOPI	RTSOPI	Unit
Θ_{JA}	Thermal Resistance (Junction to Ambient) ^[6]	Still Air, soldered on a 3 × 4.5 inch, four-layer printed circuit board	68.45	87.62	87.62	$^{\circ}C/W$
Θ_{JC}	Thermal Resistance (Junction to Case) ^[5]		26.94	23.73	23.73	$^{\circ}C/W$

Notes:

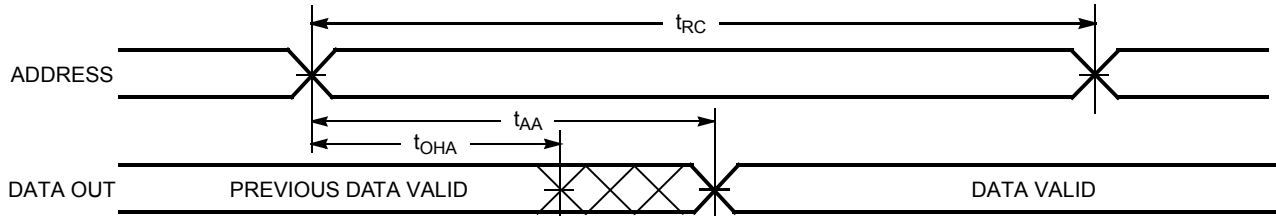
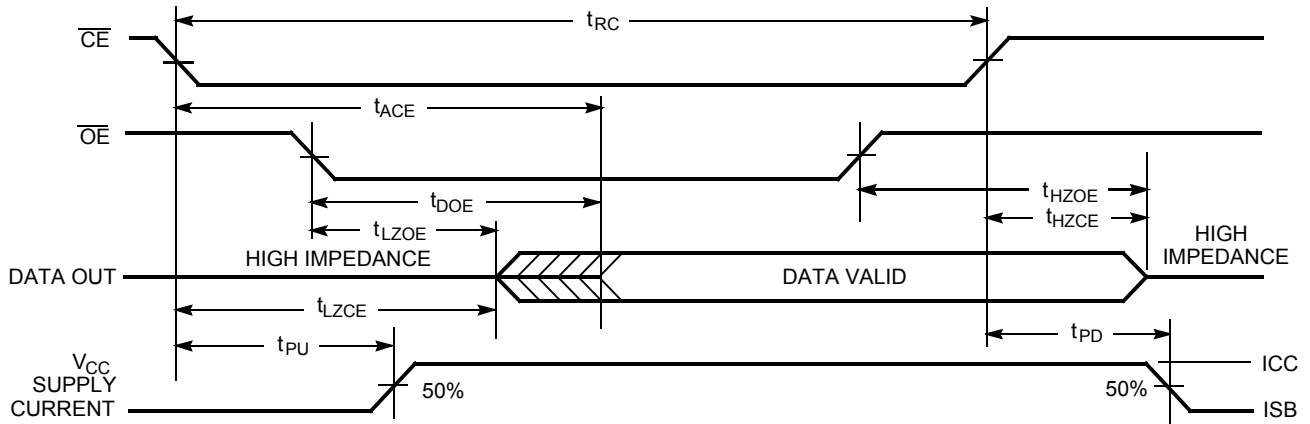
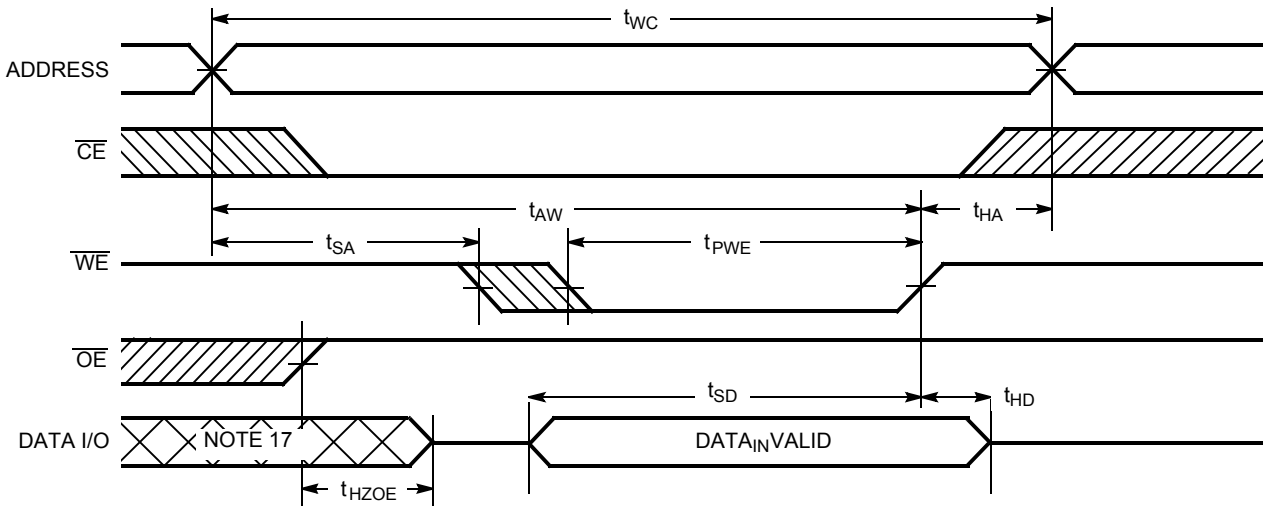
6. No input may exceed $V_{CC} + 0.3V$.

Switching Characteristics Over the Operating Range^[7]

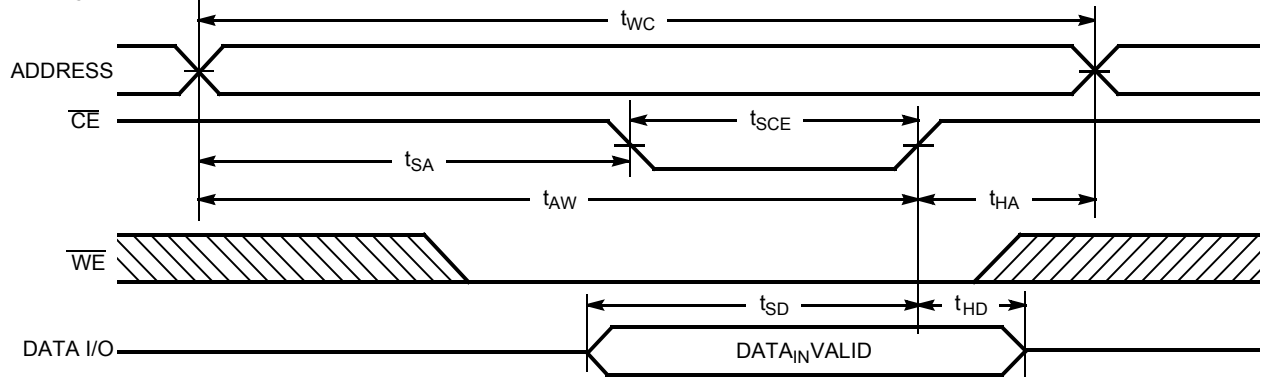
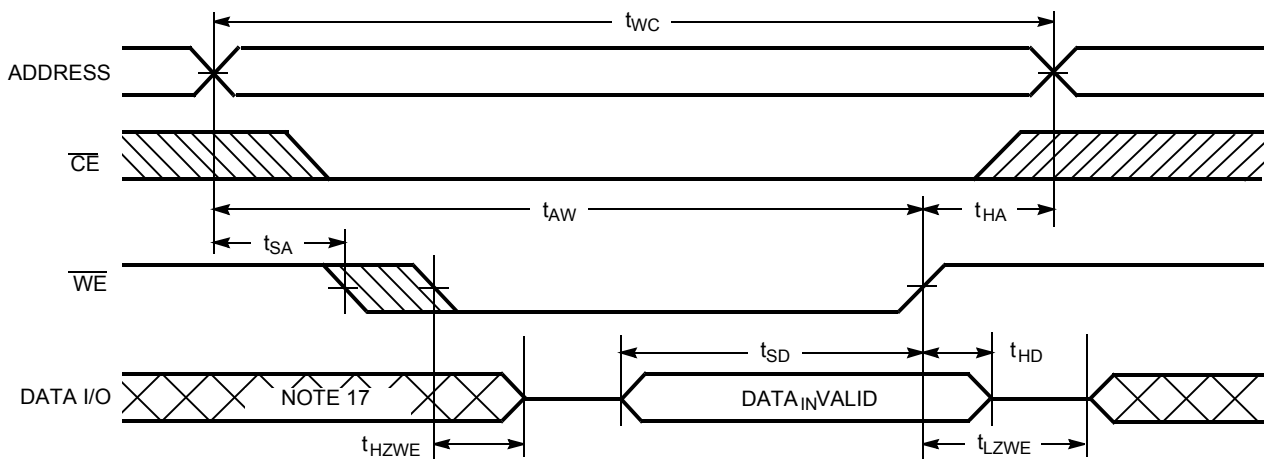
Parameter	Description	CY62256V-70		CY62256V25-100		Unit
		Min.	Max.	Min.	Max.	
Read Cycle						
t_{RC}	Read Cycle Time	70		100		ns
t_{AA}	Address to Data Valid		70		100	ns
t_{OHA}	Data Hold from Address Change	10		10		ns
t_{ACE}	CE LOW to Data Valid		70		100	ns
t_{DOE}	OE LOW to Data Valid		35		75	ns
t_{LZOE}	OE LOW to Low-Z ^[8]	5		5		ns
t_{HZOE}	OE HIGH to High-Z ^[8, 9]		25		50	ns
t_{LZCE}	CE LOW to Low-Z ^[8]	10		10		ns
t_{HZCE}	CE HIGH to High-Z ^[8, 9]		25		50	ns
t_{PU}	CE LOW to Power-up	0		0		ns
t_{PD}	CE HIGH to Power-down		70		100	ns
Write Cycle^[10, 11]						
t_{WC}	Write Cycle Time	70		100		ns
t_{SCE}	CE LOW to Write End	60		90		ns
t_{AW}	Address Set-up to Write End	60		90		ns
t_{HA}	Address Hold from Write End	0		0		ns
t_{SA}	Address Set-up to Write Start	0		0		ns
t_{PWE}	WE Pulse Width	50		80		ns
t_{SD}	Data Set-up to Write End	30		60		ns
t_{HD}	Data Hold from Write End	0		0		ns
t_{HZWE}	WE LOW to High-Z ^[8, 9]		25		50	ns
t_{LZWE}	WE HIGH to Low-Z ^[8]	10		10		ns

Notes:

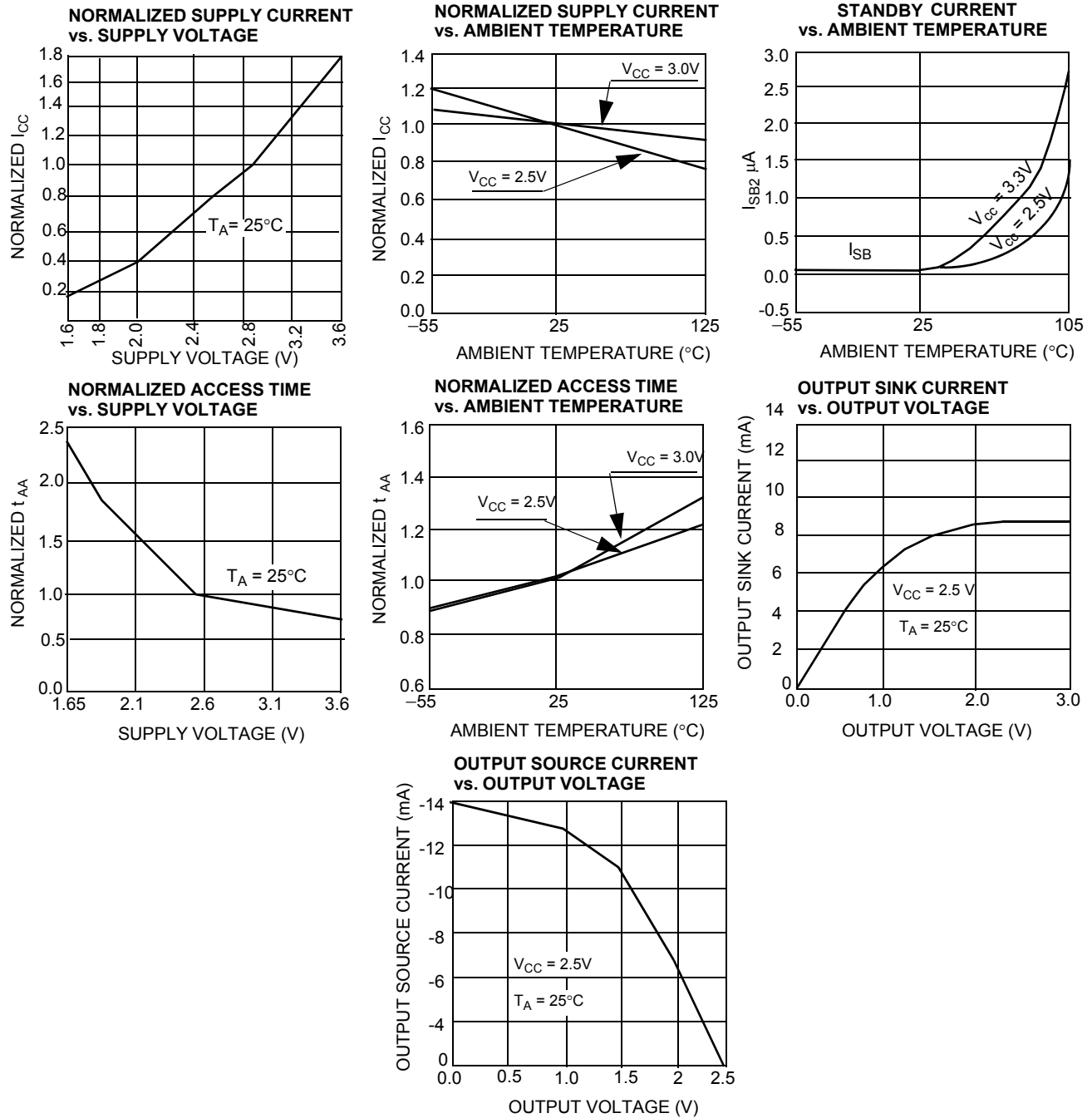
7. Test conditions assume signal transition time of 5 ns or less timing reference levels of $V_{CC}/2$, input pulse levels of 0 to V_{CC} , and output loading of the specified I_{OL}/I_{OH} and 100-pF load capacitance.
8. At any given temperature and voltage condition, t_{HZCE} is less than t_{LZCE} , t_{HZOE} is less than t_{LZOE} , and t_{HZWE} is less than t_{LZWE} for any given device.
9. t_{HZOE} , t_{HZCE} , and t_{HZWE} are specified with $C_L = 5$ pF as in (b) of AC Test Loads. Transition is measured ± 200 mV from steady-state voltage.
10. The internal write time of the memory is defined by the overlap of CE LOW and WE LOW. Both signals must be LOW to initiate a write and either signal can terminate a write by going HIGH. The data input set-up and hold timing should be referenced to the rising edge of the signal that terminates the write.
11. The minimum write cycle time for write cycle #3 (WE controlled, OE LOW) is the sum of t_{HZWE} and t_{SD} .

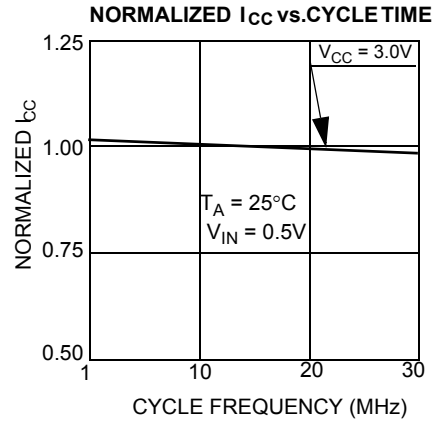
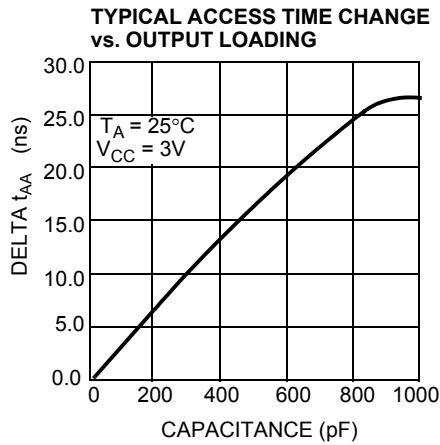
Switching Waveforms
Read Cycle No. 1 ^[12, 13]

Read Cycle No. 2 ^[13, 14]

Write Cycle No. 1 (WE Controlled) ^[10, 15, 16]

Notes:

- 12. Device is continuously selected. $\overline{OE}, \overline{CE} = V_{IL}$.
- 13. WE is HIGH for read cycle.

Switching Waveforms (continued)
Write Cycle No. 2 (\overline{CE} Controlled)^[10, 15, 16]

Write Cycle No. 3 (\overline{WE} Controlled, \overline{OE} LOW)^[11, 16]

Notes:

14. Address valid prior to or coincident with \overline{CE} transition LOW.
15. Data I/O is high impedance if $\overline{OE} = V_{IH}$.
16. If \overline{CE} goes HIGH simultaneously with \overline{WE} HIGH, the output remains in a high-impedance state.
17. During this period, the I/Os are in output state and input signals should not be applied.

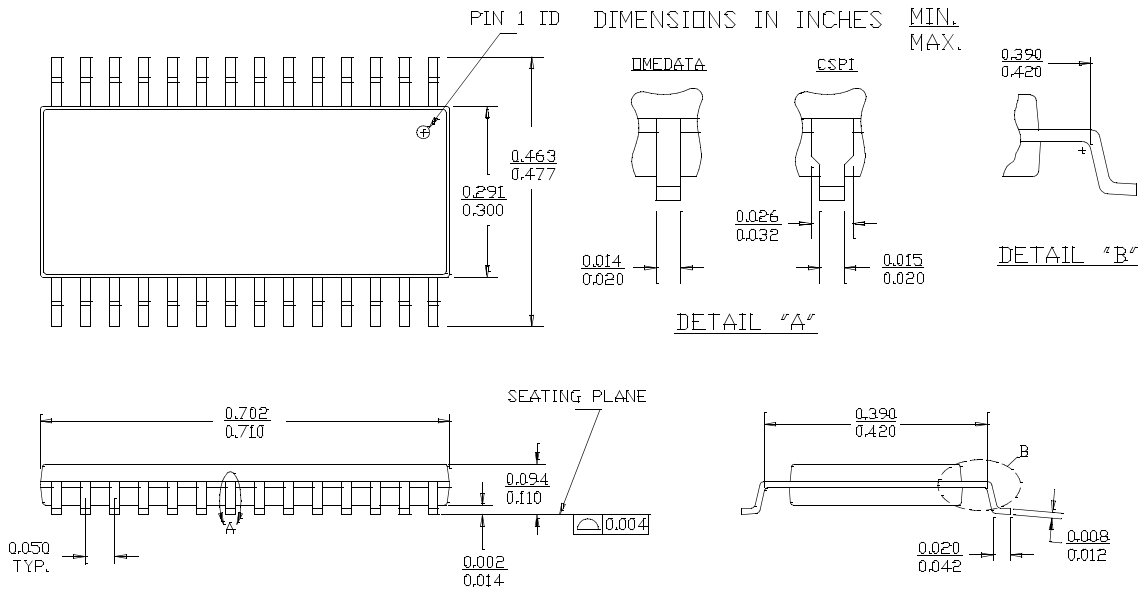
Typical DC and AC Characteristics


Typical DC and AC Characteristics (continued)

Truth Table

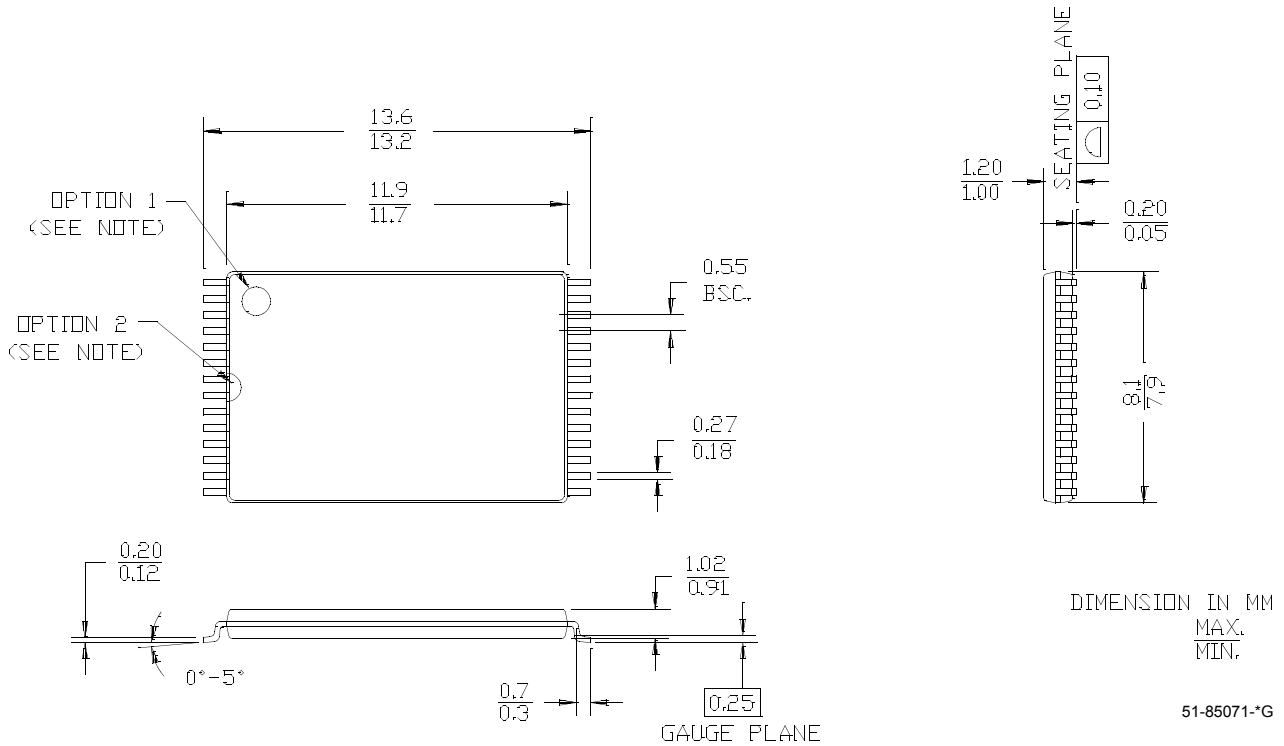
CE	WE	OE	Inputs/Outputs	Mode	Power
H	X	X	High-Z	Deselect/Power-down	Standby (I _{SB})
L	H	L	Data Out	Read	Active (I _{CC})
L	L	X	Data In	Write	Active (I _{CC})
L	H	H	High-Z	Deselect, Output Disabled	Active (I _{CC})

Ordering Information

Speed (ns)	Ordering Code	Package Name	Package Type	Operating Range
70	CY62256VLL-70SNC	SN28	28-lead (300-mil Narrow Body) Narrow SOIC	Commercial
	CY62256VLL-70ZC	Z28	28-lead Thin Small Outline Package	
	CY62256VLL-70ZI			Industrial
	CY62256VLL-70SNI	SN28	28-lead (300-mil Narrow Body) Narrow SOIC	Automotive
	CY62256VLL-70ZRI	ZR28	28-lead Reverse Thin Small Outline Package	
	CY62256VLL-70SNE	SN28	28-lead (300-mil Narrow Body) Narrow SOIC	
	CY62256VLL-70ZE	Z28	28-lead Thin Small Outline Package	
	CY62256VLL-70ZRE	ZR28	28-lead Reverse Thin Small Outline Package	
100	CY62256V25LL-100ZC	Z28	28-lead Thin Small Outline Package	Commercial

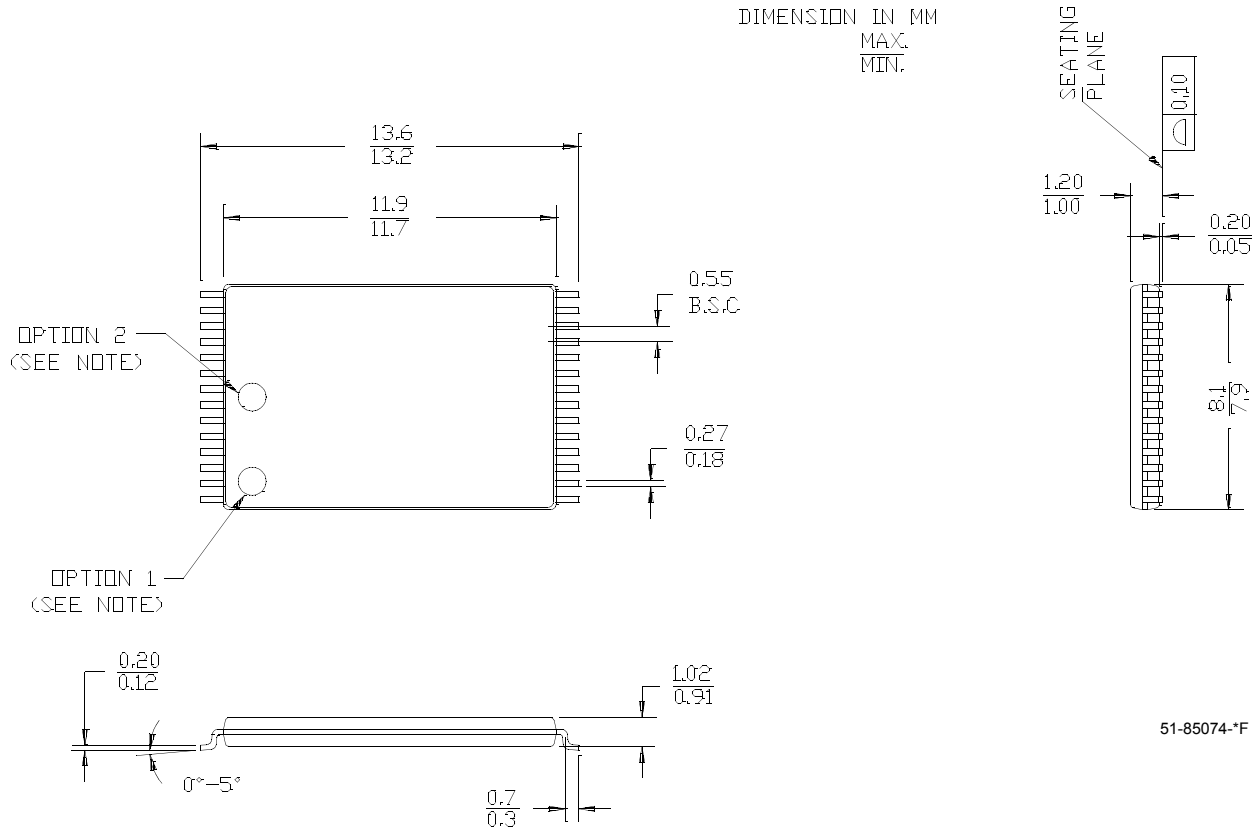
Package Diagrams
28-lead (300-mil) SNC (Narrow Body) SN28

28-lead Thin Small Outline Package Type 1 (8 × 13.4 mm) Z28

NOTE: ORIENTATION ID MAY BE LOCATED EITHER AS SHOWN IN OPTION 1 OR OPTION 2



Package Diagrams (continued)
28-lead Reverse Type 1 Thin Small Outline Package (8 × 13.4 mm) ZR28

NOTE: ORIENTATION I.D. MAY BE LOCATED EITHER AS SHOWN IN OPTION 1 OR OPTION 2



51-85074-*F

All product and company names mentioned in this document are the trademarks of their respective holders.

Document Title: CY62256V 256K (32K x 8) Static RAM
Document Number: 38-05057

REV.	ECN NO.	Issue Date	Orig. of Change	Description of Change
**	107248	09/10/01	SZV	Changed from spec number: 38-00519 to 38-05057
*A	111445	11/01/01	MGN	Removed obsolete parts. Change to standard format
*B	115229	05/23/02	GBI	Changed SN package diagram
*C	116507	09/04/02	GBI	Added footnote 1 Clarified I _{CC} spec for V _{CC(typ)} = 2.5V
*D	239134	See ECN	AJU	Added Automotive product information