

PLEASE CHECK WWW.MOLEX.COM FOR LATEST PART INFORMATION

Part Number: [0873690600](#)
Status: **Active**
Description: 2.00mm (.079") Pitch Crimp Housing, Single Row, 6 Circuits

Documents:

[3D Model](#) [RoHS Certificate of Compliance \(PDF\)](#)
[Drawing \(PDF\)](#)

Agency Certification

CSA LR19980
 UL E29179

General

Product Family Crimp Housings
 Series [87369](#)
 Product Name N/A

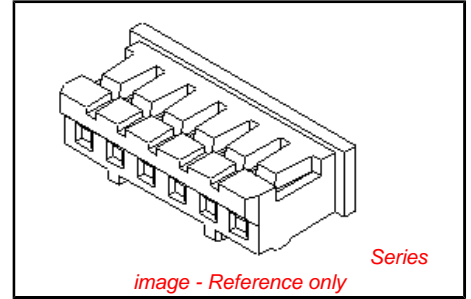
Physical

Circuits (maximum) 6
 Color - Resin Natural
 Flammability 94V-0
 Gender Female
 Glow-Wire Compliant No
 Lock to Mating Part Yes
 Material - Resin Nylon
 Number of Rows 1
 Packaging Type Bag
 Panel Mount No
 Pitch - Mating Interface (in) 0.079 In
 Pitch - Mating Interface (mm) 2.00 mm
 Stackable No
 Temperature Range - Operating -25°C to +85°C

Material Info

Reference - Drawing Numbers

Product Specification RPS-87369-001
 Sales Drawing SD-87369-**0*



EU RoHS
ELV and RoHS
Compliant
REACH SVHC
Contains SVHC: No
Halogen-Free
Status
Not Halogen-Free

China RoHS



Need more information on product environmental compliance?

Email productcompliance@molex.com
 For a multiple part number RoHS Certificate of Compliance, [click here](#)

Please visit the [Contact Us](#) section for any non-product compliance questions.

Search Parts in this Series
[87369Series](#)

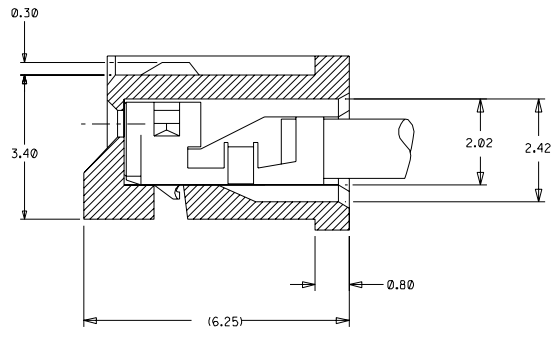
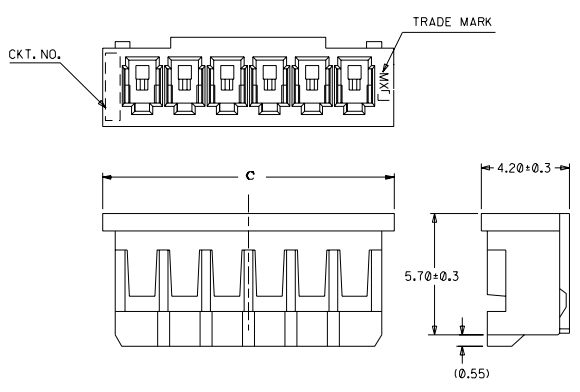
Mates With
[89400](#) Vertical Header, [89401](#) Right Angle Header

Use With
[50212](#) Crimp Terminals. [104440](#) 2.00mm (.079") Pitch Crimp Terminals

PLEASE CHECK WWW.MOLEX.COM FOR LATEST PART INFORMATION

DWG. NO. SD 87369-**-00
 CAD FILE S87369.DGN

8 7 6 5 4 3 2 1



TERMINAL ASSEMBLY DRAWING
(10:1)

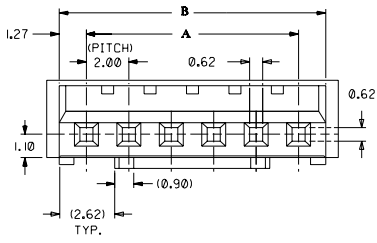
PART NO. LEGEND

87369 - ** 0 .
 CKT SIZE COLOR OPTION
 0 - NATURAL
 1 - BLACK
 2 - RED
 3 - YELLOW
 4 - BLUE
 5 - GREEN

NOTES

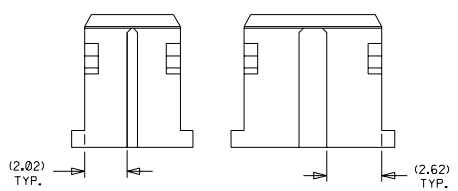
1. APPLICABLE TERMINAL :50212-8*00
2. MATERIAL : NYLON 66, UL94V-0 NATURAL
3. MATES WITH 89400-**-10/**20 & 89401-**-10

33.74	32.54	30	87369-160*	16
31.74	30.54	28	87369-150*	15
29.74	28.54	26	87369-140*	14
27.74	26.54	24	87369-130*	13
25.74	24.54	22	87369-120*	12
23.74	22.54	20	87369-110*	11
21.74	20.54	18	87369-100*	10
19.74	18.54	16	87369-090*	9
17.74	16.54	14	87369-080*	8
15.74	14.54	12	87369-070*	7
13.74	12.54	10	87369-060*	6
11.74	10.54	8	87369-050*	5
9.74	8.54	6	87369-040*	4
7.74	6.54	4	87369-030*	3
5.74	4.54	2	87369-020*	2



**IN CASE OF
2 CIRCUIT HSG.**

**IN CASE OF
3 CIRCUIT HSG.**



UNITS : MM

MATERIAL : SEE NOTES				MOLEX SINGAPORE PTE LTD SHEET 1 OF 1	
B5	REVISE PART NO. LEGEND & NOTE 3 PER ECN 1999-0061	SAX	980814	GENERAL TOLERANCES : ± 0.20/0.08	
B4	REL 87369-**-05 (GREEN) AS PER PDR# 98-06-0330 (AS PER ECN# S1998-0617)	SEE TOH	980623	REV B5	
B3	ADD COLOR OPTION REPLACE SD-87369-**-0*	S60565	SAX GMR 960618	DWG. NO.: SD 87369-**-0*	
LTR	REVISION RECORD	ECN	DR CHK	DATE	TITLE : 2.0 MM PITCH WIRE TO BOARD CONN. RECEPTACLE
REVISE ONLY ON CAD SYSTEM				DRAWN BY CLEE 920305	CHK'D BY JOEY 920326
				APPR'D BY ROY 920326	SCALE 5:1

THIS DRAWING CONTAINS INFORMATION THAT IS PROPRIETARY TO MOLEX (S) PTE LTD AND SHOULD NOT BE USED WITHOUT WRITTEN PERMISSION

DO NOT SCALE DRAWING