

Sensorless Spindle Motor Controller

GENERAL DESCRIPTION

The ML4411 provides complete commutation for delta or wye wound Brushless DC (BLDC) motors without the need for signals from Hall Effect Sensors. This IC senses the back EMF of the three motor windings (no neutral required) to determine the proper commutation phase angle using Phase Lock Loop techniques. This technique will commute virtually any 3-phase BLDC motor and is insensitive to PWM noise and motor snubbing. The ML4411 is architecturally similar to the ML4410 but with improved braking and brown-out recovery circuitry.

Included in the ML4411 is the circuitry necessary for a Hard Disk Drive microcontroller driven control loop. The ML4411 controls motor current with either a constant off-time PWM or linear current control driven by the microcontroller. Braking and Power Fail are also included in the ML4411.

The timing of the start-up sequencing is determined by the micro, allowing the system to be optimized for a wide range of motors and inertial loads.

The ML4411 modulates the gates of external N-Channel power MOSFETs to regulate the motor current. The IC drives P-Channel MOSFETs directly.

The ML4411A includes a comparator on the P3 output to prevent cross-conduction.

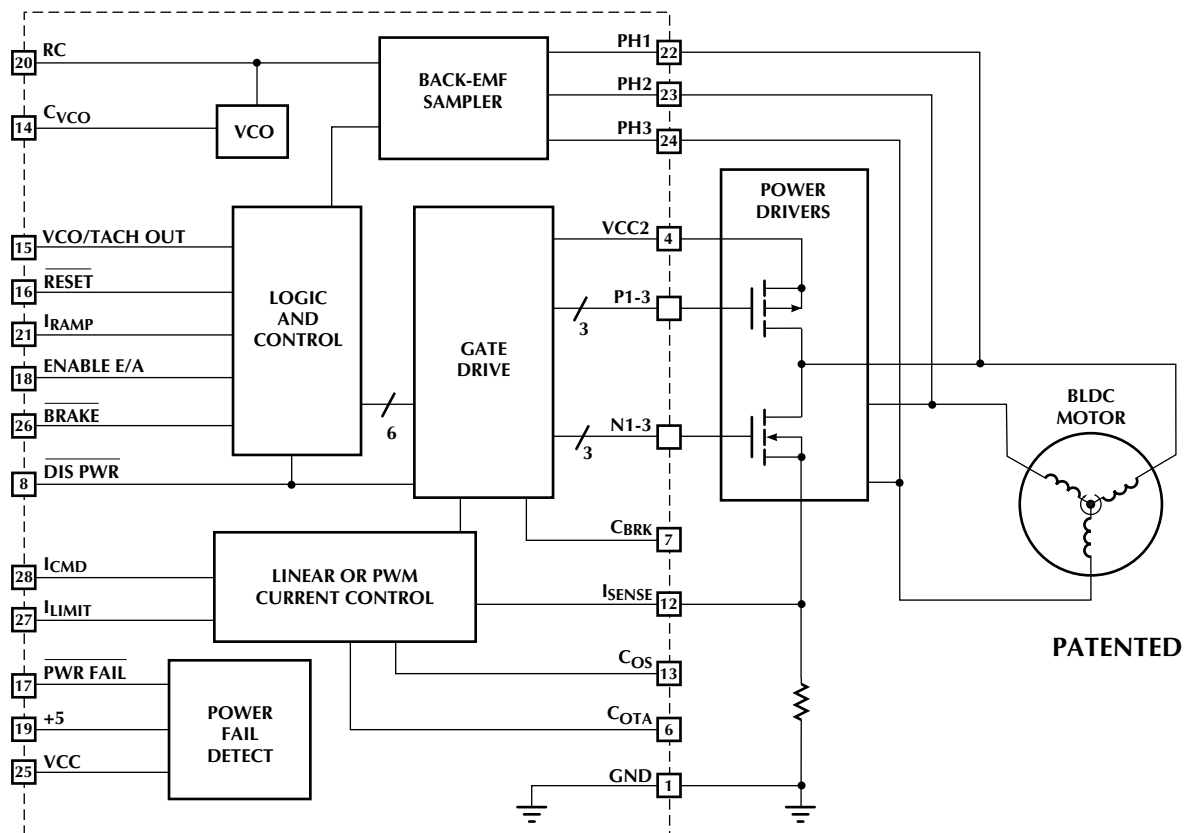
FEATURES

- Back-EMF commutation provides maximum torque for minimum "spin-up" time for spindle motors
- Accurate, jitter-free phase locked motor speed feedback output
- Linear or PWM motor current control
- Easy microcontroller interface for optimized start-up sequencing and speed control
- Power fail detect circuit with delayed braking
- Drives external N-channel FETs and P-channel FETs
- Back-EMF comparator detects motor rotation after power fail for fast re-lock after brownout

* This Product Is Obsolete

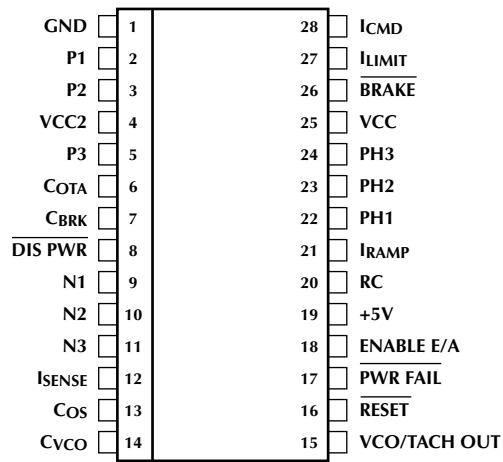
** This Product Is End Of Life As Of August 1, 2000

BLOCK DIAGRAM



PIN CONFIGURATION

ML4411
28-Pin SOIC (S28W)



TOP VIEW

PIN DESCRIPTION

| PIN | NAME | FUNCTION | PIN | NAME | FUNCTION |
|------|--------------|---|-----|------------|---|
| 1 | GND | Signal and Power Ground | 16 | RESET | Input which holds VCO off and sets the IC to the RESET condition |
| 2 | P1 | Drives the external P-channel transistor driving motor PH1 | 17 | PWR FAIL | A "0" output indicates 5V or 12V is under-voltage. This is an open collector output with a 4.5k Ω pull-up to +5V |
| 3 | P2 | Drives the external P-channel transistor driving motor PH2 | 18 | ENABLE E/A | A "1" logic input enables the error amplifier and closes the back-EMF feedback loop |
| 4 | VCC2 | 12V power and power for the braking function | 19 | +5V | 5V power supply input |
| 5 | P3 | Drives the external P-channel transistor driving motor PH3 | 20 | RC | VCO loop filter components |
| 6 | COTA | Compensation capacitor for linear motor current amplifier loop | 21 | IRAMP | Current into this pin sets the initial acceleration rate of the VCO during start-up |
| 7 | CBRK | Capacitor which stores energy to charge N-channel MOSFETs for braking with power off. | 22 | PH1 | Motor Terminal 1 |
| 8 | DIS PWR | A logic 0 on this pin turns off the N and P outputs and causes the TACH comparator output to appear on TACH OUT | 23 | PH2 | Motor Terminal 2 |
| 9-11 | N1, N2 N3 | Drives the external N-channel MOSFETs for PH1, PH2, PH3 | 24 | PH3 | Motor Terminal 3 |
| 12 | ISENSE | Motor current sense input | 25 | VCC | 12V power supply. Terminal which is sensed for power fail |
| 13 | COS | Timing capacitor for fixed off-time PWM current control | 26 | BRAKE | A "0" activates the braking circuit |
| 14 | CVCO | Timing capacitor for VCO | 27 | ILIMIT | Sets the threshold for the PWM comparator |
| 15 | VCO/TACH OUT | Logic Output from VCO or TACH comparator | 28 | ICMD | Current Command for Linear Current amplifier |

ABSOLUTE MAXIMUM RATINGS

Absolute maximum ratings are those values beyond which the device could be permanently damaged. Absolute maximum ratings are stress ratings only and functional device operation is not implied.

| | |
|--|----------------|
| Supply Voltage (pins 4, 25) | 14V |
| Output Current (pins 2, 3, 5, 9,10,11) | ±150mA |
| Logic Inputs (pins 16, 17, 18, 25) | -0.3 to 7V |
| Junction Temperature | 150°C |
| Storage Temperature Range | -65°C to 150°C |
| Lead Temperature (Soldering 10 sec.) | 150°C |
| Thermal Resistance (θ_{JA}) | 60°C/W |

OPERATING CONDITIONS

| | |
|---|-------------|
| Temperature Range | 0°C to 70°C |
| VCC Voltage +12V (pin 25) | 12V ± 10% |
| +5V (pin 19) | 5V ± 10% |
| I(RAMP) current (Pin 21) | 0 to 100µA |
| I Control Voltage Range (pins 27, 28) | 0V to 7V |

ELECTRICAL CHARACTERISTICS

Unless otherwise specified, T_A = Operating Temperature Range, $V_{CC} = V_{CC2} = 12V$, $R_{SENSE} = 1\Omega$, $C_{OTA} = C_{VCO} = 0.01\mu F$, $C_{OS} = 0.02\mu F$

| PARAMETER | CONDITIONS | MIN | TYP | MAX | UNITS |
|---|--|------|------|------|-------|
| Oscillator (VCO) Section ($V_{PIN16} = 5V$) | | | | | |
| Frequency vs. V_{PIN20} | 1V - V_{PIN20} - 10V | | 300 | | Hz/V |
| Frequency | $V_{VCO} = 6V$ | 1450 | 1800 | 2150 | Hz |
| | $V_{VCO} = 0.5V$ | 70 | 140 | 210 | Hz |
| Reset Voltage at C_{VCO} | Mode = 0 | | 125 | 250 | mV |
| Sampling Amplifier (Note 1) | | | | | |
| V_{RC} | State R | | 125 | 250 | mV |
| I_{RC} | $V_{PIN18} = 0V$, $R_{RAMP} = 39k\Omega$ | 70 | 100 | 130 | µA |
| | $V_{PIN18} = 5V$, State A, $V_{PH2} = 4V$ | 30 | 50 | 90 | µA |
| | $V_{PIN18} = 5V$, State A, $V_{PH2} = 6V$ | -13 | 2 | 13 | µA |
| | $V_{PIN18} = 5V$, State A, $V_{PH2} = 8V$ | -30 | -50 | -90 | µA |
| V_{PIN21} | $R_{PIN21} = 39k\Omega$ to +5V | 1.0 | 1.1 | 1.20 | V |
| Motor Current Control Section | | | | | |
| I_{SENSE} Gain | $V_{PIN27} = 5V$, 0V - $V_{PIN28} - 2.5V$ | 4.5 | 5 | 5.5 | V/V |
| One Shot Off Time | | 12 | 25 | 33 | µs |
| I_{CMD} Transconductance Gain | | | 0.19 | | mmho |
| I_{CMD} , I_{LIM} Bias Current | $V_{IN} = 0$ | 0 | -100 | -400 | nA |
| Power Fail Detection Circuit | | | | | |
| 12V Threshold | | 9.1 | 9.8 | 10.5 | V |
| Hysteresis | | | 150 | | mV |
| 5V Threshold | | 3.8 | 4.25 | 4.5 | V |
| Hysteresis | | | 70 | | mV |
| Logic Inputs | | | | | |
| Voltage High (V_{IH}) | | 2 | | | V |
| Voltage Low (V_{IL}) | | | | 0.8 | V |
| Current High (I_{IH}) | $V_{IN} = 2.7V$ | -10 | 1 | 10 | µA |
| Current Low (I_{IL}) | $V_{IN} = 0.4V$ | -500 | -350 | -200 | µA |

ELECTRICAL CHARACTERISTICS (Continued)

| PARAMETER | CONDITIONS | MIN | TYP | MAX | UNITS |
|--|---|-------------------|-------------------|-----------------|---------|
| Braking Circuit ($V_{PIN17} = 0V$) | | | | | |
| Brake Active Threshold | | 0.8 | 1.2 | 1.6 | V |
| PIN 26 Bias Current | $V_{PIN26} = 0V$ | | 0.3 | 1 | μA |
| N-Channel Leakage | $V_{CC}, V_{CC2} = 0V$ $V_{PIN17} = 0V, V_N = 4V$ | 0 | 0.06 | 10 | nA |
| C_{BRK} Current | $V_{CC}, V_{CC2} = 0V, V_{PIN26} = 3V$ $V_{PIN7} = 6V$ | | 20 | 85 | μA |
| Outputs ($I_{CMD} = I_{LIMIT} = 2.5V$) | | | | | |
| I_P Low | $V_P = 0.8V$ | 5 | 7 | 19.5 | mA |
| | $V_P = 0.4V$ | 2 | 4 | | mA |
| V_P High | $I_P = -10\mu A$ | $V_{CC} - 0.4$ | | | V |
| P3 Comparator Threshold | | $V_{CC2} - 1.6$ | | $V_{CC2} - 0.8$ | V |
| V_N High | $V_{PIN12} = 0V$ | $V_{CC2} - 3.2$ | 10 | $V_{CC} - 1.2$ | V |
| V_N Low | $I_N = 1mA$ | | 0.2 | 0.7 | V |
| LOGIC Low (V_{OL}) | $I_{OUT} = 0.4mA$ | | | 0.5 | V |
| VCO/TACH V_{OH} | $I_{OUT} = -100\mu A$ | 2.4 | | | V |
| POWER FAIL V_{OH} | $I_{OUT} = -10\mu A$ | $V_{PIN19} - 0.2$ | $V_{PIN19} - 0.1$ | V_{PIN19} | V |
| Supply Currents (N and P Outputs Open) | | | | | |
| 5V Current | | | 3 | 4 | mA |
| V_{CC} Current | | | 38 | 50 | mA |
| V_{CC2} Current | ML4411 | | 2 | 3 | mA |
| V_{CC2} Current | ML4411A | | 2.6 | 3.75 | mA |

Note 1. For explanation of states, see Figure 5 and Table 1.

FUNCTIONAL DESCRIPTION

The ML4411 provides closed-loop commutation for 3-phase brushless motors. To accomplish this task, a VCO, integrating Back-EMF Sampling error amplifier and sequencer form a phase-locked loop, locking the VCO to the back-EMF of the motor. The IC also contains circuitry to control motor current with either linear or constant off-time PWM modes. Braking and power fail detection functions are also provided on chip. The ML4411 is designed to drive external power transistors (N-channel sinking transistors and PNP sourcing transistors) directly.

Start-up sequencing and motor speed control are accomplished by a microcontroller. Speed sensing is accomplished by monitoring the output of the VCO, which will be a signal which is phased-locked to the commutation frequency of the motor.

BACK-EMF SENSING AND COMMUTATOR

The ML4411 contains a patented back-EMF sensing circuit which samples the phase which is not energized (Shaded area in figure 2) to determine whether to increase or decrease the commutator (VCO) frequency. A late commutation causes the error amplifier to charge the filter (RC) on pin 20, increasing the VCO input while early commutation causes pin 20 discharge. Analog speed control loops can use pin 20 as a speed feedback voltage.

The input impedance of the three PH inputs is about $8K\Omega$ to GND. When operating with a higher voltage motor, the PH inputs should be divided down in voltage so that the

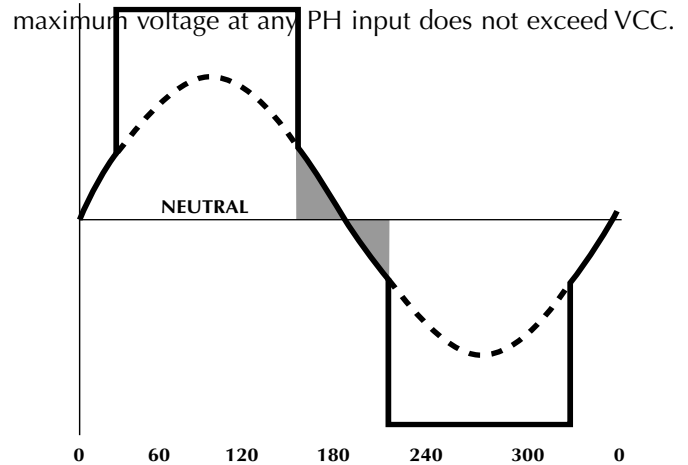


Figure 2. Typical motor phase waveform with Back-EMF superimposed (Ideal Commutation)

VCO AND PHASE DETECTOR CALCULATIONS

The VCO should be set so that at the maximum frequency of operation (the running speed of the motor) the VCO control voltage will be no higher than $V_{CC_{MIN}} - 1V$. The VCO maximum frequency will be:

$$F_{MAX} = 0.05 \times POLES \times RPM$$

where POLES is the number of poles on the motor and RPM is the maximum motor speed in Revolutions Per

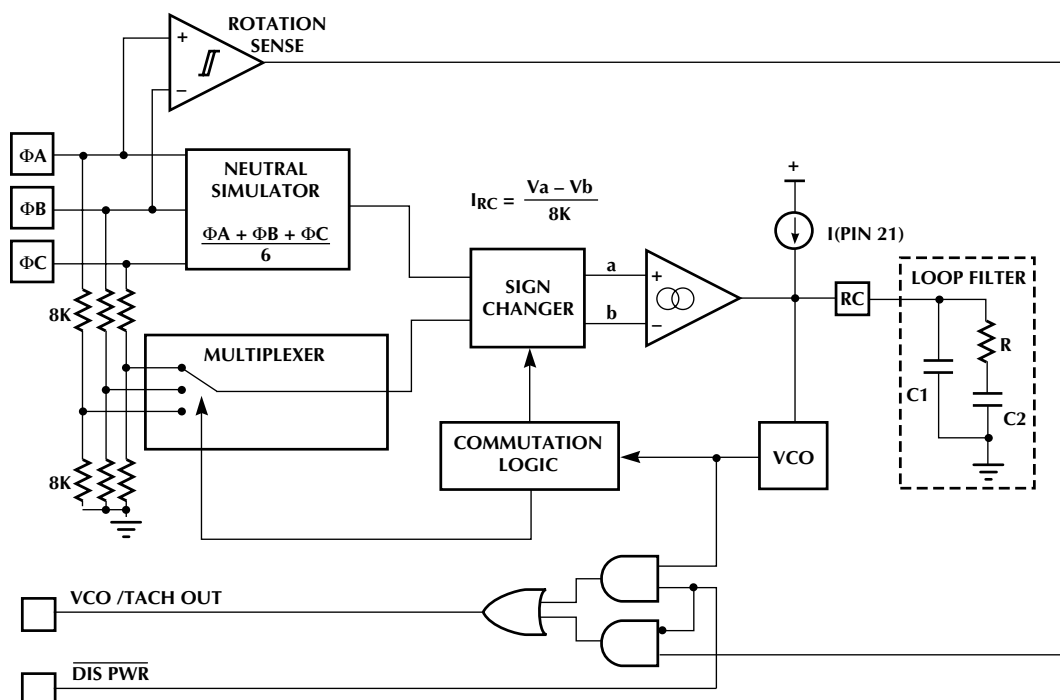


FIGURE 1. BACK EMKF sensing block diagram

The minimum VCO gain derived from the specification table (using the minimum Fvco at Vvco = 6V) is:

$$K_{VCO(MIN)} = \frac{2.42 \times 10^{-6}}{C_{VCO}}$$

Assuming that the Vvco(MAX) = 9.5V, then

$$C_{VCO} = \frac{9.5 \times 2.42 \times 10^{-6}}{F_{MAX}}$$

or

$$C_{VCO} = \frac{460}{POLES \times RPM} \mu F$$

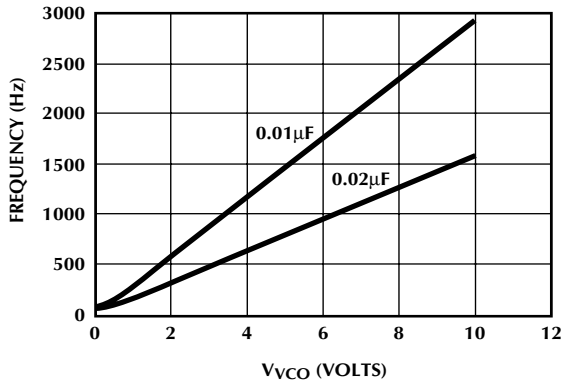


Figure 3. VCO Output Frequency vs. Vvco (Pin 20)

Figure 4 shows the transfer function of the Phase Lock Loop with the phase detector formed from the sampled phase through the Gm amplifier with the loop filtered formed by R, C1, and C2.

The impedance of the loop filter is

$$Z_{RC}(s) = \frac{1}{C_1 s} \frac{(s + \omega_{LEAD})}{(s + \omega_{LAG})}$$

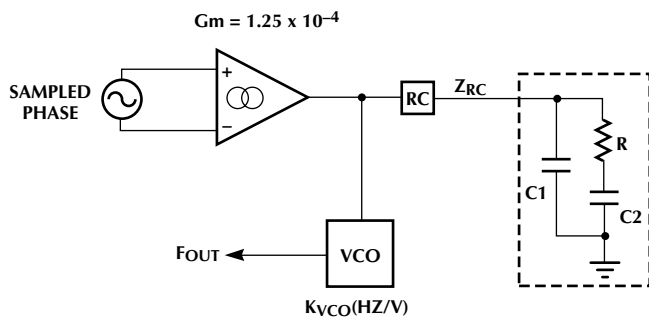


Figure 4. Back EMF Phase Lock Loop Components

Where the lead and lag frequencies are set by:

$$\omega_{LEAD} = \frac{1}{RC_2}$$

$$\omega_{LAG} = \frac{C_1 + C_2}{RC_1 C_2}$$

START-UP SEQUENCING

When the motor is initially at rest, it is generating no back-EMF. Because a back-EMF signal is required for closed loop commutation, the motor must be started “open-loop” until a velocity sufficient to generate some back-EMF is attained (around 100 RPM). The following steps are a typical procedure for starting a motor which is at rest.

Step 1: The IC is held in reset (state R) with full power applied to the windings (see figure 6). This aligns the rotor to a position which is 30° (electrical) before the center of the first commutation state.

Step 2: Reset is released, and a fixed current is input to pin 21 and appears as a current on pin 20, and will ramp the VCO input voltage, accelerating the motor at a fixed rate.

Step 3: When the motor speed reaches about 100 RPM, the back EMF loop can be closed by pulling pin 18 high.

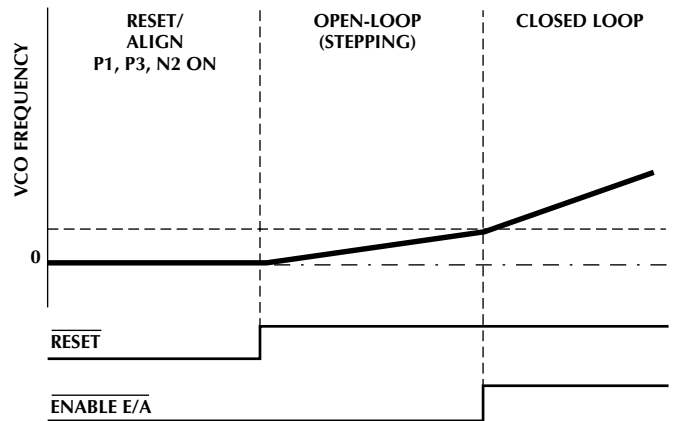


Figure 6. Typical Start-up Sequence.

Using this technique, some reverse rotation is possible. The maximum amount of reverse rotation is 360/N, where N is the number of poles. For an 8 pole motor, 45° reverse rotation is possible.

For quick recovery following a momentary power failure, the following steps can be taken:

| STEP | PIN 16 | PIN 18 | PIN 21 | I _{LIMIT} I _{CMD} |
|------|--------|--------|--------|--|
| 1 | 0 | 0 | FIXED | I _{MAX} |
| 2 | 1 | 0 | FIXED | I _{MAX} |
| 3 | 1 | 1 | 0 | I _{MAX} |

Table 2. Start-up Sequence.

| STATE | OUTPUTS | | | | | | INPUT SAMPLING |
|--------|---------|-----|-----|-----|-----|-----|----------------|
| | N1 | N2 | N3 | P1 | P2 | P3 | |
| R OR 0 | OFF | ON | OFF | ON | OFF | ON | N/A |
| A | OFF | OFF | ON | ON | OFF | OFF | PH2 |
| B | OFF | OFF | ON | OFF | ON | OFF | PH1 |
| C | ON | OFF | OFF | OFF | ON | OFF | PH3 |
| D | ON | OFF | OFF | OFF | OFF | ON | PH2 |
| E | OFF | ON | OFF | OFF | OFF | ON | PH1 |
| F | OFF | ON | OFF | ON | OFF | OFF | PH3 |

Table 1. Commutation States.

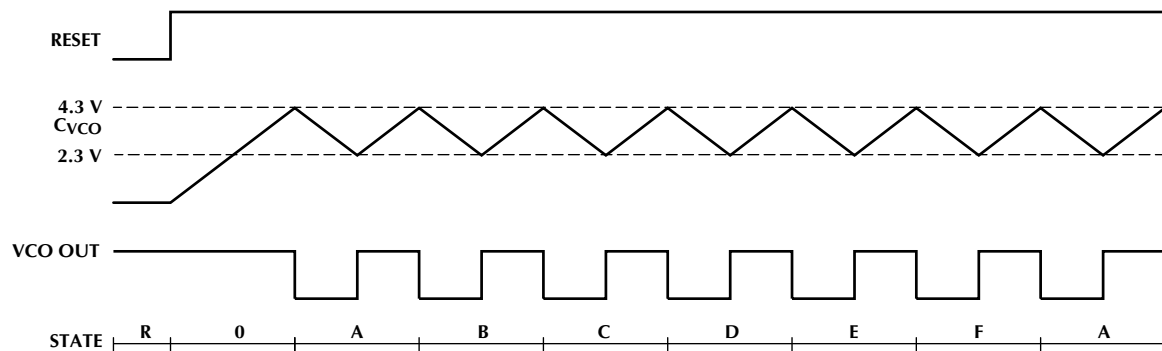


Figure 5. Commutation Timing and Sequencing.

Step 1a: The IC is held in reset (state R) with I_{CMD} low and DIS PWR low. The Micro Processor monitors the VCO/TACH OUT pin to determine if a signal is present. If a signal is present, the frequency is determined (by measuring the period). If a signal is not present, proceed to the routine described above for starting a motor which is a rest.

Step 2a: Release RESET and DIS PWR. Apply a current to pin 21 and monitor the VCO/TACH OUT pin for VCO frequency.

Step 3a: When the VCO frequency approaches 6 X the motor frequency (or where the motor frequency has decelerated to by coasting during the time the VCO frequency was ramping up) the back EMF loop can be closed by pulling pin 18 high and motor current brought up with I_{CMD} or I_{LIMIT} .

ADJUSTING OPEN LOOP STEP RATE

I_{RAMP} should be set so that the VCO's frequency ramp during "open loop stepping" phase of motor starting is less than the motor's acceleration rate. In other words, the motor must be able to keep up with the VCO's ramp rate in open loop stepping mode. The VCO's input voltage ($V_{PIN 20}$) ramp rate is given by:

$$\frac{dV_{VCO}}{dt} \approx \frac{I_{RAMP}}{C_1 + C_2}$$

since

$$F_{VCO} = K_{VCO} \times V_{VCO}$$

$$K_{VCO(MAX)} = \frac{4 \times 10^{-6}}{C_{VCO}}$$

then combining the 3 equations I_{RAMP} can be calculated from the desired maximum open loop stepping rate the motor can follow.

$$I_{RAMP} < \frac{dF_{VCO}}{dt} \frac{C_{VCO} \times (C_1 + C_2)}{4 \times 10^{-6}}$$

The motor will start more consistently and tolerate a wider variation in open loop step rate if there is some damping on the motor (such as head drag) during the open loop modes.

The tolerance of the open loop step VCO acceleration

$$\left(\frac{dF_{VCO}}{dt} \right)$$

depends on the tolerances of K_{VCO} , I_{RAMP} , $C1$,

$C2$, and C_{VCO} . For more optimum spin up times, these variables can be digitally “calibrated” out by the microprocessor using the following procedure:

1. Reset the IC by holding pin 16 low for at least 5 μ s.
2. Go into open loop step mode with no current on the motor and measure the difference between the first two complete VCO periods with the PWM signal at 50% duty cycle:

ENABLE E/A = (see below)

$I_{CMD} = 0V$

PWM OUT = 50%

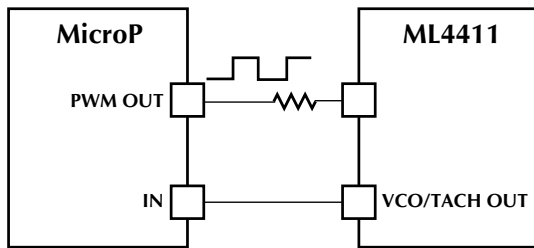


Figure 7. Auto-Calibration of Open-Loop Step Rate.

3. Compute a correction factor to adjust I_{RAMP} current by changing the PWM duty cycle from the Micro (D.C.)

$$D.C.(NEW) = 50\% \times \frac{\Delta F_{VCO}(DESIRED)}{\Delta F_{VCO}(MEASURED)}$$

4. Use new computed duty cycle for open loop stepping mode and proceed with a normal start-up sequence.

If this auto calibration is used ENABLE E/A can be tied permanently high, eliminating a line from the Micro. Since there is offset associated with the Phase Detector Error Amp (E/A), more current than is being injected by I_{RAMP} may be taken out of pin 20 if the offset is positive (into pin 20) if the error amp were enabled during the open loop stepping mode. In that case, V_{VCO} would not rise and the motor would not step properly. The effect of E/A offset can also be canceled out by the auto calibration algorithm described above allowing the E/A to be permanently enabled.

$$A_V = \frac{1.875 \times 10^{-4}}{sC_{OTA}}$$

PWM AND LINEAR CURRENT CONTROL

To facilitate speed control, the ML4411 includes two current control loops — linear and PWM (figure 9). The linear control loop senses the motor current on the I_{SENSE} terminal through R_{SENSE} . An internal current sense amplifier's (A2) output modulates the gates of the 3 N-channel MOSFET's when OTA OUT is tied to OTA IN, or can modulate a single MOSFET gate tied to OTA OUT. When operated in this mode, OTA IN is tied to 12V, and N1-N3 are saturated switches. This method produces the lowest current ripple at the expense of an extra MOSFET.

The linear current control modulates the gates of the external MOSFET drivers. Amplifier A2 is a transconductance amplifier which amplifies the difference between I_{CMD} and I_{SENSE} . The transconductance gain of A2 is:

$$g_m = 1.875 \times 10^{-4} \text{ A}$$

The current loop is compensated by C_{OTA} which forms a pole given by

$$\omega_p = \frac{9.375 \times 10^{-4}}{C_{OTA}}$$

This time constant should be fast enough so that the current loop settles in less than 10% of T_{VCO} at the highest motor speed to avoid torque ripple to V_{TH} mismatch of the N-Channel MOSFETs.

The I_{SENSE} input pin should be kept below 1V. If I_{SENSE} goes above 1V, a bias current of about $-300\mu A$ will flow out of pin 12 and the N outputs will be inhibited. Bringing I_{SENSE} below 0.7V removes the bias current to its normal level. For this reason, the noise filter resistor on the I_{SENSE} pin ($1K\Omega$ on Figure 10) should be less than $1.5K\Omega$.

The noise filter time constant should be great enough to filter the leading edge current spike when the N-FETs turn on but small enough to avoid excessive phase shift in the I_{SENSE} signal.

OUTPUT DRIVERS

The motor's source drivers (P1 thru P3) are open-collector NPN's with internal $16K\Omega$ pull-up resistors. N3 is inhibited until P3 is within 1.4V (typ) of V_{CC2} on the ML4411A.

Drivers N1 through N3 are totem-pole outputs capable of sourcing and sinking 10mA. Switching noise in the external MOSFETs can be reduced by adding resistance in series with the gates.

BRAKING

As shown in figure 9, the braking circuit pulls the N-Channel MOSFET gates high when BRAKE falls below a 1.4V threshold. After a power failure, C_{DLY} is discharged slowly through R_{DLY} providing a delay for retract to occur before the braking circuit is activated. The N-Channel buffer (B1) tri-states when the BRAKE pin reaches 2.1V to ensure that no charge from C_{BRK} is lost through the pull-down transistor in B1. To brake the motor with external signals, first disable power by pulling pin 8 low, then pull pin 26 below 1.4V using an open drain (or diode isolated) output.

The bias current for the Braking circuits comes from VCC2. When the N-Channel MOSFETs turn on, no additional power is generated for VCC2 (motor back-EMF rectified through out the MOSFET body diodes). After VCC2 drops below 4V, Q2 turns off. Continued braking relies on the C_{GS} of the N-Channel MOSFETs to sustain the MOSFET gate enhancement voltage.

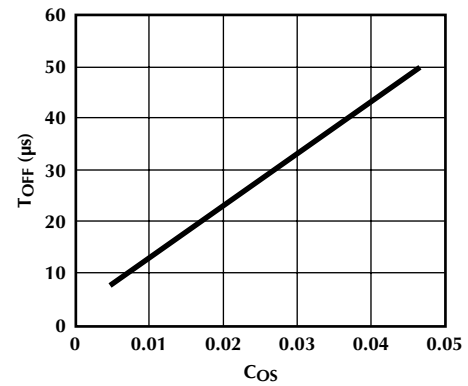
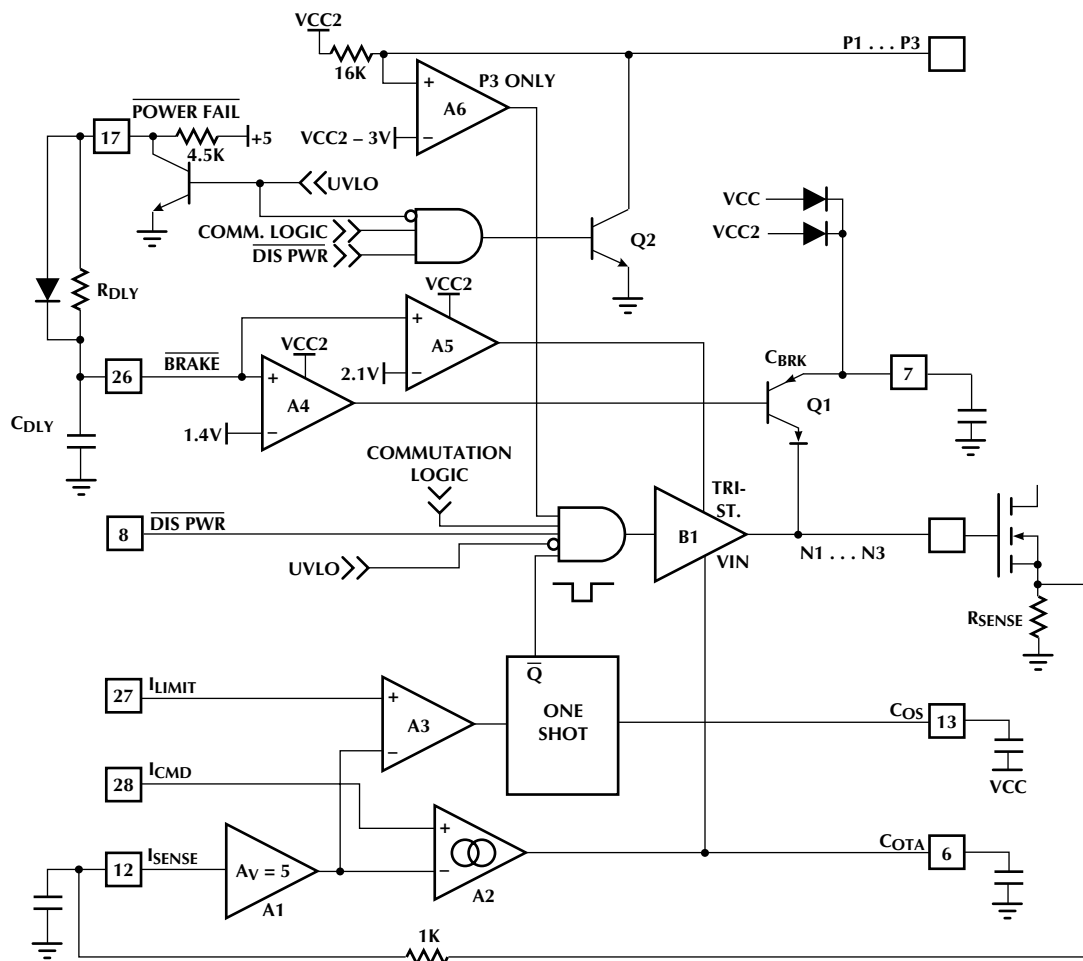
Figure 8. I_{LIMIT} Output Off-Time vs. C_{OS} .

Figure 9. Current Control, Output Drive and Braking Circuits.

ML4411/ML4411A

APPLICATIONS

Figure 10 shows a typical application of the ML4411 in a hard disk drive spindle control. Although the timing necessary to start the motor in most applications would be generated by a microcontroller, Fig. 11 shows a simple "one shot" start-up timing approach.

Speed control can be accomplished either by:

1. Sensing the VCO OUT frequency with a Microcontroller and adjusting I_{CMD} via an analog output from the Micro (PWM DAC).
2. Using analog circuitry for speed control. (Fig. 12).

OUTPUT STAGE HINTS

In the circuit in Figure 10, Q1, Q2, and Q3 are IRFR9024 or equivalent. Q4, Q5, and Q6 are IRFR024 or equivalent. New MOSFET packaging technology such as the Little Foot[®] series may decrease the PC board space. These packages, however have much lower thermal inertia and dissipation capabilities than the larger packages, and care should be taken not to exceed their rated current and junction temperature.

Since the output section in a full bridge application consists of three half-H switches, cross-conduction can occur. Cross-conduction is the condition where an N-FET and P-FET in the same phase of the bridge conduct simultaneously. This could happen under two conditions (see figure 13):

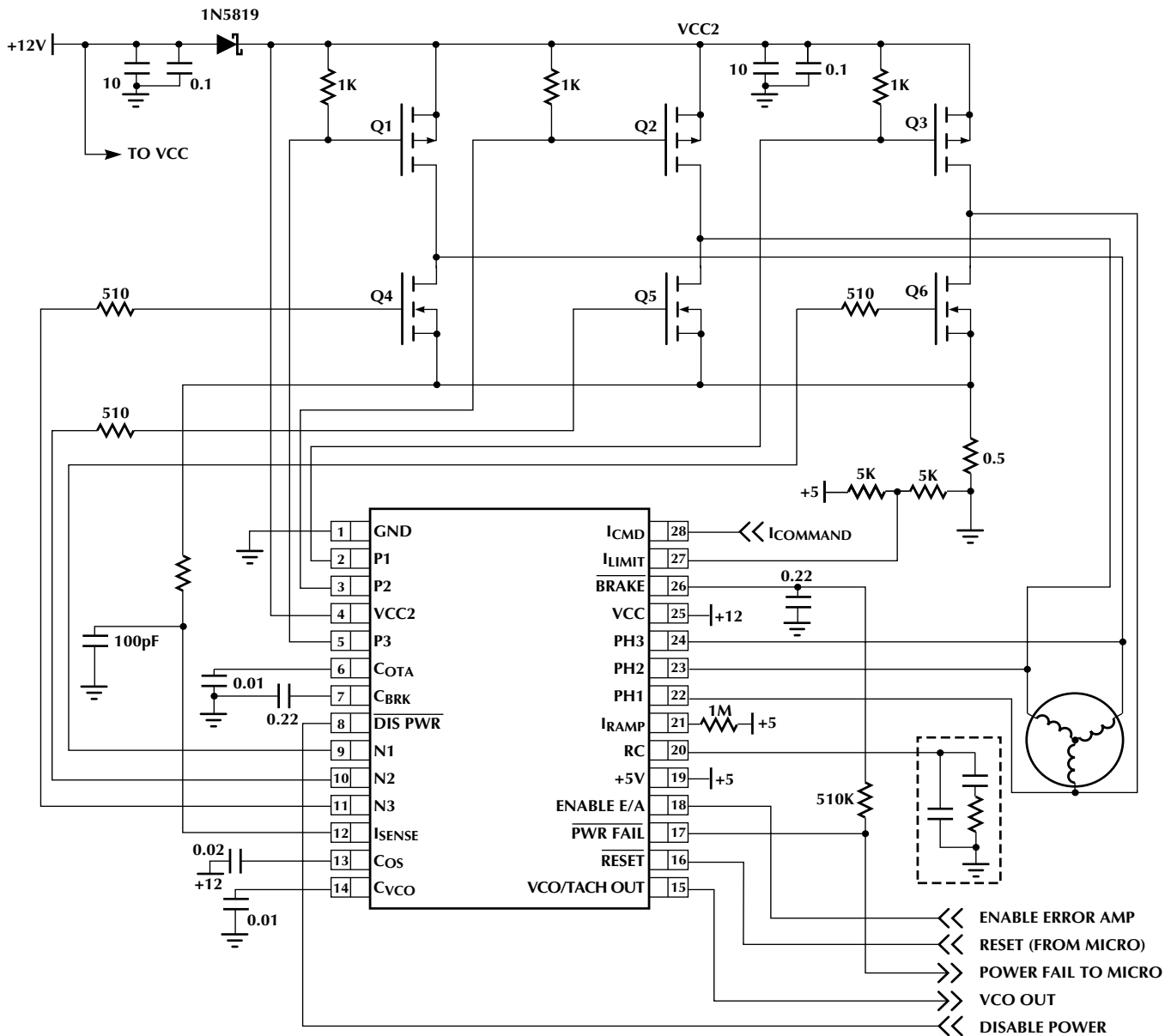


Figure 10. ML4411 Typical Application

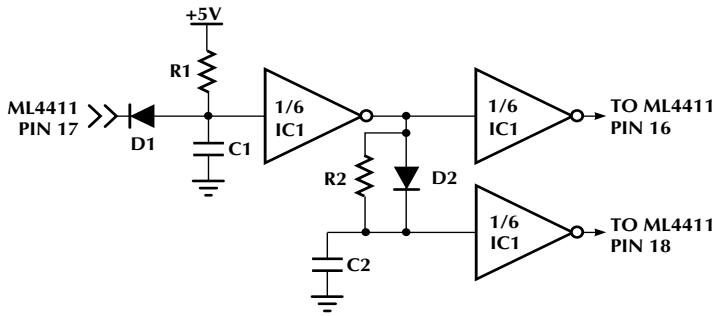
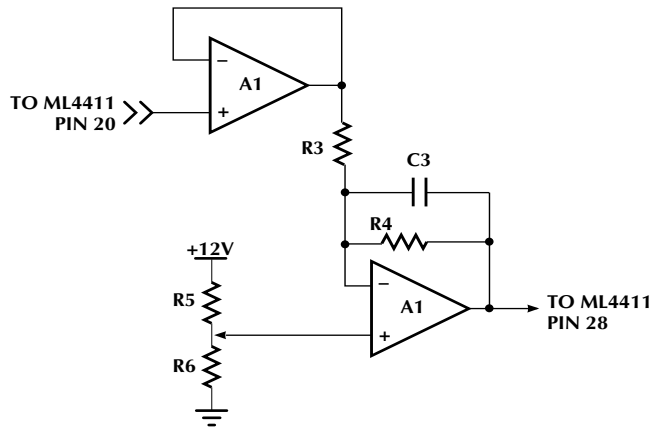


Figure 11. Analog Start-up Circuit



| SYMBOL | VALUE | SYMBOL | VALUE |
|--------|---------------|--------|---------------|
| A1 | LM358 | R4 | 100K Ω |
| IC1 | 74HC14 | R5 | 50K Ω |
| D1, D2 | IN4148 | R6 | 50K Ω |
| R1 | 1M Ω | C1 | 3.3 μ F |
| R2 | 1M Ω | C2 | 3.3 μ F |
| R3 | 100K Ω | C3 | 0.47 μ F |

Figure 12. Analog Speed Control

- When transitioning from mode 0 to mode A (see table 1) P3 goes from on to off at the same time N3 goes from off to on. If the P3 turns off slowly and N3 turns on quickly, cross-conduction may occur. This condition has been prevented inside the IC on the ML4411A through the addition of comparator A6 on the P3 output (Figure 9). This comparator may cause an oscillation when the N3 switches on due to the capacitive coupling effect described below pulling the P3 pin below VCC2-1.4V. To avoid this, use the circuit in Figure 13.
- When the MOSFET in the same phase switches on gate current flows due to capacitive coupling of current through the MOSFET's drain to gate capacitance. This could cause the device that was off to be turned on.

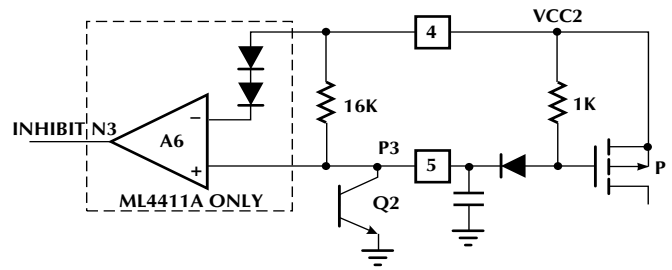


Figure 13. Alternate cross-conduction prevention for ML4411A

In Condition 2 above, the P-Channel MOSFET is pulled up inside the ML4411 with a 16K Ω resistor. If the current through C(CGp) is greater than $V_{TH} \Rightarrow 16K$ when the N-FET turns on, the P-FET could turn on simultaneously, causing cross-conduction. Adding R1 as shown in Figure 14 eliminates this. The size of R1 will depend on the fall time of the phase voltage, and the size of the C(DGp). D1 may be needed for high power applications to limit the negative current pulled (through C(DGn)) out of the substrate diode in the ML4411 when P-FET turns off.

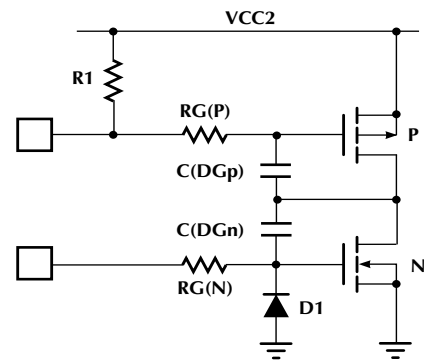


Figure 14. Causes of Cross-conduction

Adding a series damping resistor to the N-FET gate ($R_{G(N)}$) will slow the fall time. The damping resistor should be low enough to:

- Avoid turning on the N-Channel gate when the PNP turns on via the same mechanism outlined in condition 2 above
- Not severely increase the switching losses in the N-FET

UNIPOLAR OPERATION

Unipolar mode offers the potential advantage of lower motor drive cost by only requiring the use of 3 transistors to drive the motor. The ML4411 will operate in unipolar mode (Figure 15) provided the following precautions are taken:

- The IC supplies should not exceed 12V + 10%.
- The phase pins on the IC should not exceed the supply voltage.

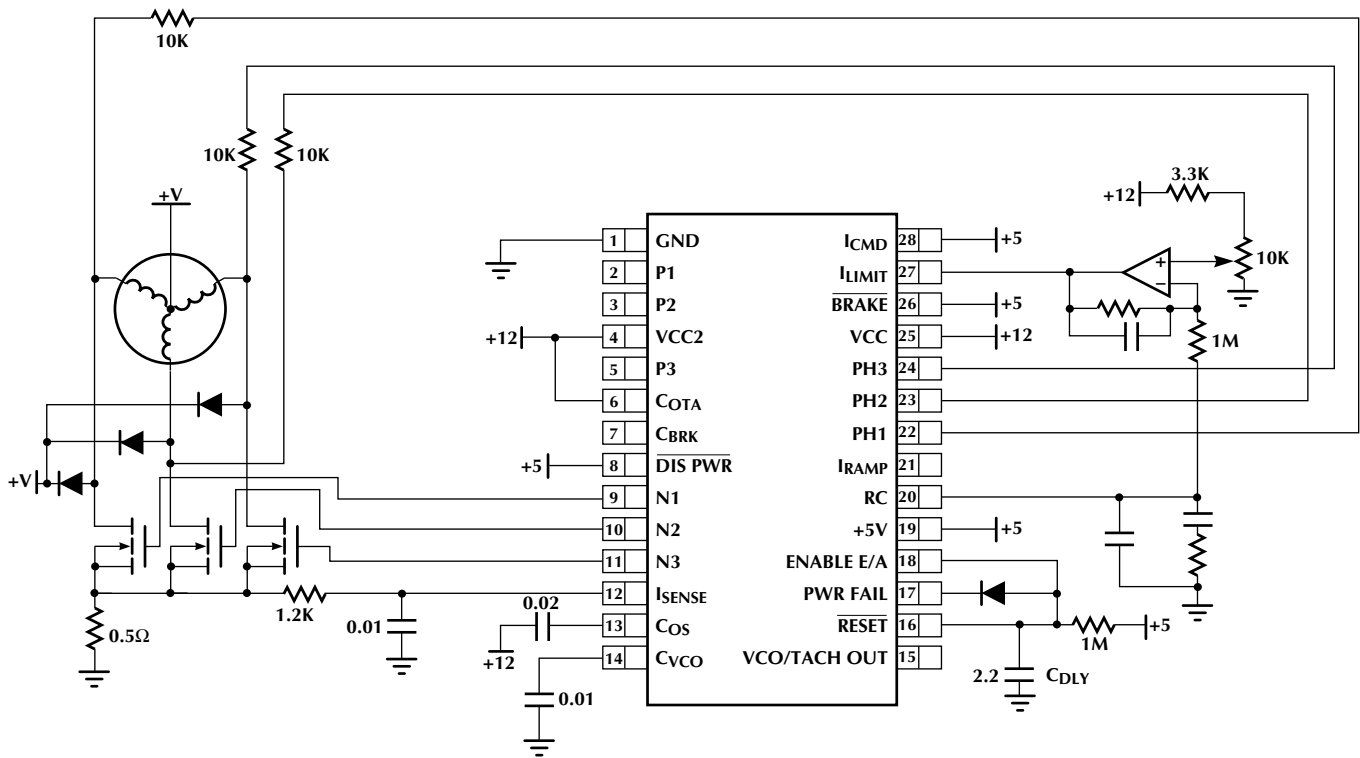


Figure 15. ML4411 Unipolar Drive Application

In unipolar operation, the motor's windings must be allowed to drive freely to:

$$V_{\Phi(MAX)} = V_{SUPPLY(MAX)} + V_{EMF(MAX)}$$

Therefore, there can be no diodes to clamp the inductive energy to V_{SUPPLY} . This energy must be clamped, however, to avoid an over-voltage condition on the MOSFETs and other components. Typically, a V_{CLAMP} voltage is created to provide the clamping voltage. The inductive energy may either be dissipated (Figure 16) or alternately efficiently regenerated back to the system supply (Figure 17).

The circuit in Figure 15 is designed to minimize the external components necessary, at some compromise to performance. The 3 resistors from the motor phase windings to the PH inputs work with the ML4411's 8K Ω internal resistance to ground to divide the motor's phase voltage down, providing input signals that do not exceed 12V.

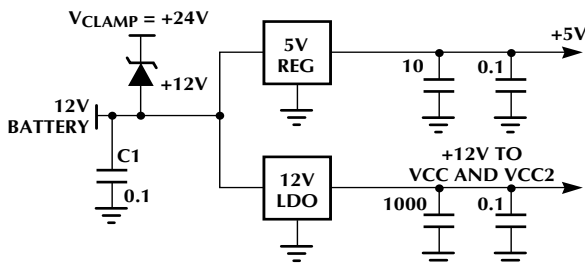


Figure 16. Dissipative Clamping Technique

This circuit uses analog speed regulation. The 1M Ω resistor from Pin 20 to the speed regulation op amp provides the function of injecting current into the VCO loop filter for the open loop stepping phase of start-up operation. The "one shot" circuitry to time the reset is replaced by a diode and RC delay from the rising edge or the POWERFAIL signal. The error amplifier is left enabled continuously since at low speeds its current contribution is negligible. The current injected into the loop filter must be greater than the leakage current from the phase detector amplifier for the motor to start reliably.

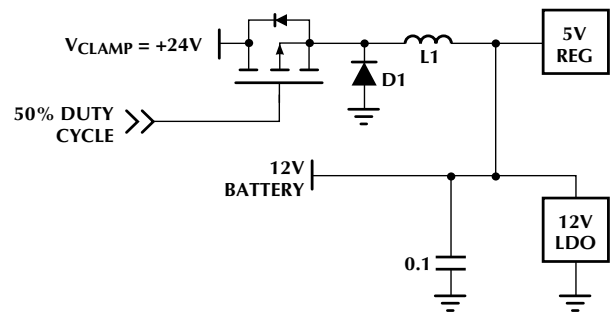


Figure 17. Non-Dissipative Clamping Technique

HIGHER VOLTAGE MOTOR DRIVE

To drive a higher voltage motor, the same precautions regarding ML4411 voltage limitations as were outlined for Unipolar drive above should be followed. Figures 14–16 provide several methods of translating the ML4411's P outputs to drive a higher voltage.

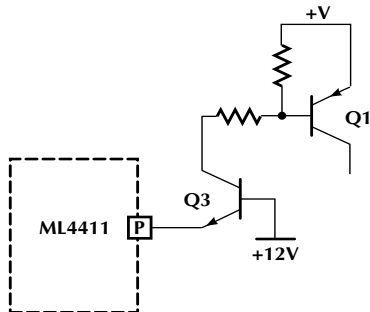


Figure 18. High Voltage Translation using PNP Power Transistor

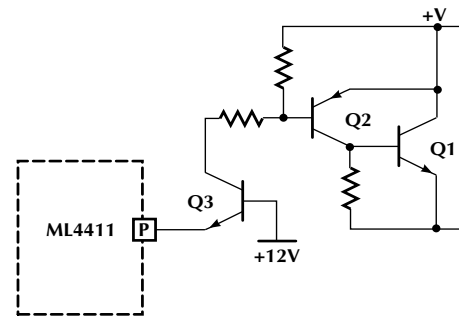


Figure 19. High Voltage Translation using "Composite" PNP Power Transistor

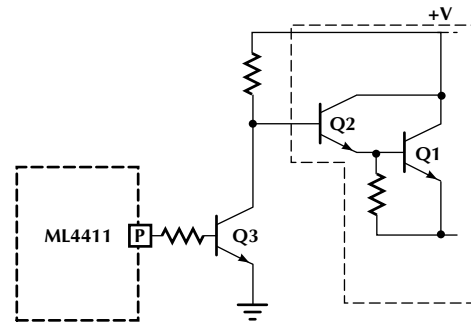
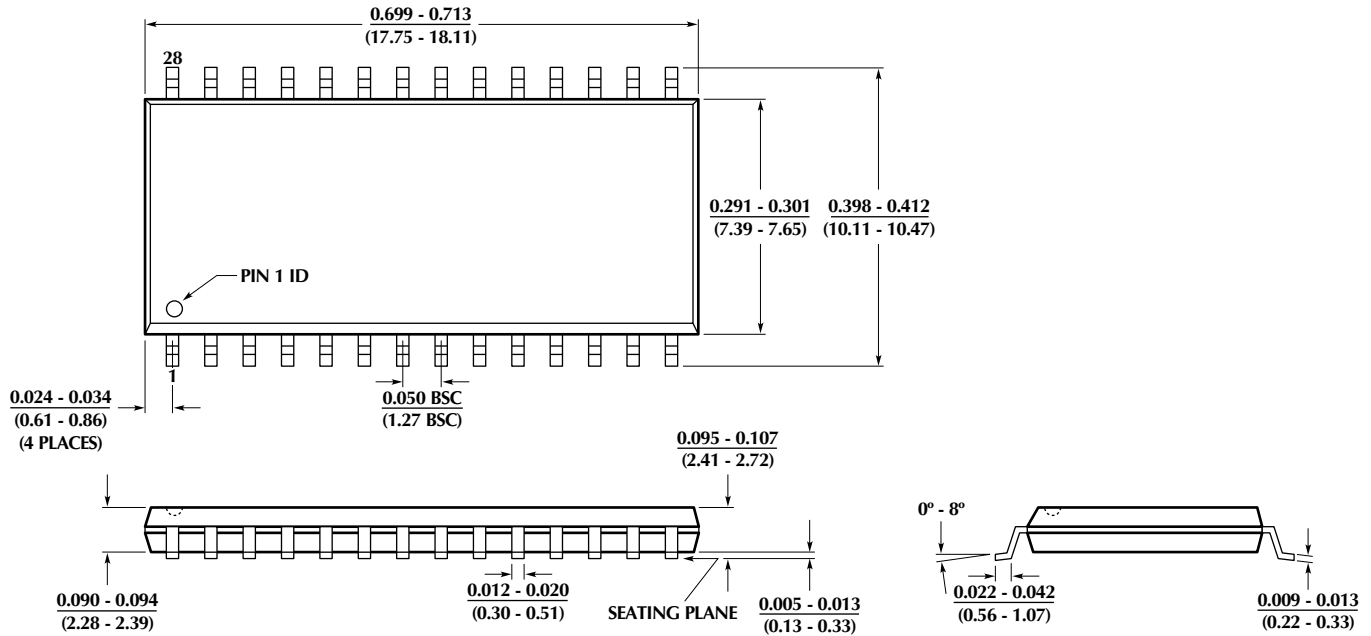


Figure 20. High Voltage Translation with NPN Darlington

ML4411/ML4411A


PHYSICAL DIMENSIONS inches (millimeters)

Package: S28 28-Pin SOIC



ORDERING INFORMATION

| PART NUMBER | TEMPERATURE RANGE | PACKAGE |
|-------------------------|-------------------|-------------------------|
| ML4411CS (Obsolete) | 0°C to 70°C | 28-Pin Wide SOIC (S28W) |
| ML4411ACS (End Of Life) | 0°C to 70°C | 28-Pin Wide SOIC (S28W) |

© Micro Linear 1997  **Micro Linear** is a registered trademark of Micro Linear Corporation. Products described in this document may be covered by one or more of the following patents, U.S.: 4,897,611; 4,964,026; 5,027,116; 5,281,862; 5,283,483; 5,418,502; 5,508,570; 5,510,727; 5,523,940; 5,546,017; 5,559,470; 5,565,761; 5,592,128; 5,594,376; Japan: 2598946; 2619299. Other patents are pending.

Micro Linear reserves the right to make changes to any product herein to improve reliability, function or design. Micro Linear does not assume any liability arising out of the application or use of any product described herein, neither does it convey any license under its patent right nor the rights of others. The circuits contained in this data sheet are offered as possible applications only. Micro Linear makes no warranties or representations as to whether the illustrated circuits infringe any intellectual property rights of others, and will accept no responsibility or liability for use of any application herein. The customer is urged to consult with appropriate legal counsel before deciding on a particular application.

2092 Concourse Drive
San Jose, CA 95131
Tel: 408/433-5200
Fax: 408/432-0295