

**Dual Independent Differential Amp for Low Power Applications from DC to 120MHz**

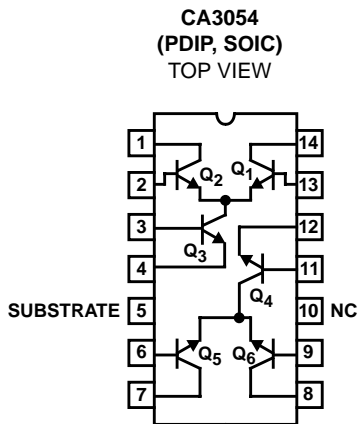
The CA3054 consists of two independent differential amplifiers with associated constant current transistors on a common monolithic substrate. The six NPN transistors which comprise the amplifiers are general purpose devices which exhibit low 1/f noise and a value of  $f_T$  in excess of 300MHz. These feature make the CA3054 useful from DC to 120MHz. Bias and load resistors have been omitted to provide maximum application flexibility.

The monolithic construction of the CA3054 provides close electrical and thermal matching of the amplifiers. This feature makes these devices particularly useful in dual channel applications where matched performance of the two channels is required.

**Ordering Information**

PART NUMBER (BRAND)	TEMP. RANGE (°C)	PACKAGE	PKG. NO.
CA3054	0 to 85	14 Ld PDIP	E14.3
CA3054M96 (3054)	0 to 85	14 Ld SOIC Tape and Reel	M14.15

**Pinout**



**Features**

- Two Differential Amplifiers on a Common Substrate
- Independently Accessible Inputs and Outputs
- Maximum Input Offset Voltage . . . . .  $\pm 5mV$
- Temperature Range . . . . .  $0^{\circ}C$  to  $85^{\circ}C$

**Applications**

- Dual Sense Amplifiers
- Dual Schmitt Triggers
- Multifunction Combinations
  - RF/Mixer/Oscillator; Converter/IF
- IF Amplifiers (Differential and/or Cascode)
- Product Detectors
- Doubly Balanced Modulators and Demodulators
- Balanced Quadrature Detectors
- Cascade Limiters
- Synchronous Detectors
- Pairs of Balanced Mixers
- Synthesizer Mixers
- Balanced (Push-Pull) Cascode Amplifiers

**Absolute Maximum Ratings**  $T_A = 25^\circ\text{C}$

Collector-to-Emitter Voltage, $V_{CEO}$ .....	15V
Collector-to-Base Voltage, $V_{CBO}$ .....	20V
Collector-to-Substrate Voltage, $V_{CIO}$ (Note 1) .....	20V
Emitter-to-Base Voltage, $V_{EBO}$ .....	5V
Collector Current, $I_C$ .....	50mA

**Operating Conditions**

Temperature Range .....	$0^\circ\text{C}$ to $85^\circ\text{C}$
-------------------------	---

CAUTION: Stresses above those listed in "Absolute Maximum Ratings" may cause permanent damage to the device. This is a stress only rating and operation of the device at these or any other conditions above those indicated in the operational sections of this specification is not implied.

NOTES:

1. The collector of each transistor of the CA3054 is isolated from the substrate by an integral diode. The substrate must be connected to a voltage which is more negative than any collector voltage in order to maintain isolation between transistors and provide for normal transistor action. The substrate should be maintained at signal (AC) ground by means of a suitable grounding capacitor, to avoid undesired coupling between transistors.
2.  $\theta_{JA}$  is measured with the component mounted on an evaluation PC board in free air.

**Maximum Voltage Ratings**

The following chart gives the range of voltages which can be applied to the terminals listed vertically with respect to the terminals listed horizontally. For example, the voltage range of the vertical Terminal 2 with respect to Terminal 4 is +15V to -5V.

(NOTE 4) TERM NO.	13	14	1	2	3	4	6	7	8	9	11	12	5
13		0, -20	Note 3	+5, -5	Note 3	+15, -5	Note 3	Note 3	Note 3	Note 3	Note 3	Note 3	Note 3
14			Note 3	Note 3	Note 3	+20, 0	Note 3	Note 3	Note 3	Note 3	Note 3	Note 3	+20, 0
1				+20, 0	Note 3	+20, 0	Note 3	Note 3	Note 3	Note 3	Note 3	Note 3	+20, 0
2					Note 3	+15, -5	Note 3	Note 3	Note 3	Note 3	Note 3	Note 3	Note 3
3						+1, -5	Note 3	Note 3	Note 3	Note 3	Note 3	Note 3	Note 3
4							Note 3	Note 3	Note 3	Note 3	Note 3	Note 3	Note 3
6								0, -20	Note 3	+5, -5	Note 3	+15, -5	Note 3
7									Note 3	Note 3	Note 3	Note 3	+20, 0
8										+20, 0	Note 3	Note 3	+20, 0
9											Note 3	+15, -5	Note 3
11												-1, -5	Note 3
12													Note 3
5													Ref. Substrate

NOTES:

3. Voltages are not normally applied between these terminals. Voltages appearing between these terminals will be safe if the specified limits between all other terminals are not exceeded.
4. Terminal No. 10 of CA3054 is not used.

**Electrical Specifications**  $T_A = 25^\circ\text{C}$

PARAMETER	SYMBOL	TEST CONDITIONS	MIN	TYP	MAX	UNIT
<b>DC CHARACTERISTICS</b> For Each Differential Amplifier						
Input Offset Voltage (Figure 8)	$V_{IO}$	$V_{CB} = 3V, I_{E(Q3)} = I_{E(Q4)} = 2mA$	-	0.45	5	mV
Input Offset Current (Figure 9)	$I_{IO}$	$V_{CB} = 3V, I_{E(Q3)} = I_{E(Q4)} = 2mA$	-	0.3	2	$\mu A$
Input Bias Current (Figure 5)	$I_I$	$V_{CB} = 3V, I_{E(Q3)} = I_{E(Q4)} = 2mA$	-	10	24	$\mu A$
Quiescent Operating Current Ratio (Figure 5)	$\frac{I_{C(Q1)}}{I_{C(Q2)}}$ or $\frac{I_{C(Q5)}}{I_{C(Q6)}}$	$V_{CB} = 3V, I_{E(Q3)} = I_{E(Q4)} = 2mA$	-	0.98 to 1.02	-	-
Temperature Coefficient Magnitude of Input Offset Voltage (Figure 7)	$\frac{ \Delta V_{IO} }{\Delta T}$	$V_{CB} = 3V, I_{E(Q3)} = I_{E(Q4)} = 2mA$	-	1.1	-	$\mu V/^\circ C$

**Thermal Information**

Thermal Resistance (Typical, Note 2)	$\theta_{JA}$ ( $^\circ C/W$ )
PDIP Package .....	130
SOIC Package .....	140
Maximum Junction Temperature (Die) .....	$175^\circ C$
Maximum Junction Temperature (Plastic Package) .....	$150^\circ C$
Maximum Storage Temperature Range .....	$-65^\circ C$ to $150^\circ C$
Maximum Lead Temperature (Soldering 10s) .....	$300^\circ C$ (SOIC - Lead Tips Only)
Maximum Power Dissipation (Any One Transistor) .....	300mW

**Maximum Current Ratings**

(NOTE 4) TERM NO.	$I_{IN}$ mA	$I_{OUT}$ mA
13	5	0.1
14	50	0.1
1	50	0.1
2	5	0.1
3	5	0.1
4	0.1	50
6	5	0.1
7	50	0.1
8	50	0.1
9	5	0.1
11	5	0.1
12	0.1	50

Electrical Specifications  $T_A = 25^\circ\text{C}$  (Continued)

PARAMETER	SYMBOL	TEST CONDITIONS	MIN	TYP	MAX	UNIT	
<b>FOR EACH TRANSISTOR</b>							
DC Forward Base-to-Emitter Voltage (Figure 8)	$V_{BE}$	$V_{CB} = 3V$	$I_C = 50\mu\text{A}$	-	0.630	0.700	V
			$I_C = 1\text{mA}$	-	0.715	0.800	V
			$I_C = 3\text{mA}$	-	0.750	0.850	V
			$I_C = 10\text{mA}$	-	0.800	0.900	V
Temperature Coefficient of Base-to-Emitter Voltage (Figure 6)	$\frac{\Delta V_{BE}}{\Delta T}$	$V_{CB} = 3V, I_C = 1\text{mA}$	-	-1.9	-	$\mu\text{V}/^\circ\text{C}$	
Collector Cutoff Current (Figure 4)	$I_{CBO}$	$V_{CB} = 10V, I_E = 0$	-	0.002	100	nA	
Collector-to-Emitter Breakdown Voltage	$V_{(BR)CEO}$	$I_C = 1\text{mA}, I_B = 0$	15	24	-	V	
Collector-to-Base Breakdown Voltage	$V_{(BR)CBO}$	$I_C = 10\mu\text{A}, I_E = 0$	20	60	-	V	
Collector-to-Substrate Breakdown Voltage	$V_{(BR)CIO}$	$I_C = 10\mu\text{A}, I_{CI} = 0$	20	60	-	V	
Emitter-to-Base Breakdown Voltage	$V_{(BR)EBO}$	$I_E = 10\mu\text{A}, I_C = 0$	5	7	-	V	
<b>DYNAMIC CHARACTERISTICS</b>							
Common Mode Rejection Ratio for each Amplifier (Figures 1, 10)	CMRR	$V_{CC} = 12V, V_{EE} = -6V, V_X = -3.3V, f = 1\text{kHz}$	-	100	-	dB	
AGC Range, One Stage (Figures 2, 11)	AGC	$V_{CC} = 12V, V_{EE} = -6V, V_X = -3.3V, f = 1\text{kHz}$	-	75	-	dB	
Voltage Gain, Single Stage Double-Ended Output (Figures 2, 11)	A	$V_{CC} = 12V, V_{EE} = -6V, V_X = -3.3V, f = 1\text{kHz}$	-	32	-	dB	
AGC Range, Two Stage (Figures 3, 12)	AGC	$V_{CC} = 12V, V_{EE} = -6V, V_X = -3.3V, f = 1\text{kHz}$	-	105	-	dB	
Voltage Gain, Two Stage Double-Ended Output (Figures 3, 12)	A	$V_{CC} = 12V, V_{EE} = -6V, V_X = -3.3V, f = 1\text{kHz}$	-	60	-	dB	
Low Frequency, Small Signal Equivalent Circuit Characteristics (For Single Transistor)							
Forward Current Transfer Ratio (Figure 13)	$h_{FE}$	$f = 1\text{kHz}, V_{CE} = 3V, I_C = 1\text{mA}$	-	110	-	-	
Short Circuit Input Impedance (Figure 13)	$h_{iE}$	$f = 1\text{kHz}, V_{CE} = 3V, I_C = 1\text{mA}$	-	3.5	-	$k\Omega$	
Open Circuit Output Impedance (Figure 13)	$h_{oE}$	$f = 1\text{kHz}, V_{CE} = 3V, I_C = 1\text{mA}$	-	15.6	-	$\mu\text{S}$	
Open Circuit Reverse Voltage Transfer Ratio (Figure 13)	$h_{RE}$	$f = 1\text{kHz}, V_{CE} = 3V, I_C = 1\text{mA}$	-	$1.8 \times 10^{-4}$	-	-	
1/f Noise Figure for Single Transistor	NF	$f = 1\text{kHz}, V_{CE} = 3V$	-	3.25	-	dB	
Gain Bandwidth Product for Single Transistor (Figure 14)	$f_T$	$V_{CE} = 3V, I_C = 3\text{mA}$	-	550	-	MHz	
Admittance Characteristics; Differential Circuit Configuration (For Each Amplifier)							
Forward Transfer Admittance (Figure 15)	$Y_{21}$	$V_{CB} = 3V, f = 1\text{MHz}$ Each Collector $I_C \approx 1.25\text{mA}$	-	$-20 + j0$	-	mS	
Input Admittance (Figure 16)	$Y_{11}$	$V_{CB} = 3V, f = 1\text{MHz}$ Each Collector $I_C \approx 1.25\text{mA}$	-	$0.22 + j0.1$	-	mS	
Output Admittance (Figure 17)	$Y_{22}$	$V_{CB} = 3V, f = 1\text{MHz}$ Each Collector $I_C \approx 1.25\text{mA}$	-	$0.01 + j0$	-	mS	
Reverse Transfer Admittance (Figure 18)	$Y_{12}$	$V_{CB} = 3V, f = 1\text{MHz}$ Each Collector $I_C \approx 1.25\text{mA}$	-	$-0.003 + j0$	-	mS	

Electrical Specifications  $T_A = 25^{\circ}\text{C}$  (Continued)

PARAMETER	SYMBOL	TEST CONDITIONS	MIN	TYP	MAX	UNIT
Admittance Characteristics; Cascode Circuit Configuration (For Each Amplifier)						
Forward Transfer Admittance (Figure 19)	$Y_{21}$	$V_{CB} = 3\text{V}$ , $f = 1\text{MHz}$ Total Stage $I_C \approx 2.5\text{ mA}$	-	$68 - j0$	-	mS
Input Admittance (Figure 20)	$Y_{11}$	$V_{CB} = 3\text{V}$ , $f = 1\text{MHz}$ Total Stage $I_C \approx 2.5\text{ mA}$	-	$0.55 + j0$	-	mS
Output Admittance (Figure 21)	$Y_{22}$	$V_{CB} = 3\text{V}$ , $f = 1\text{MHz}$ Total Stage $I_C \approx 2.5\text{ mA}$	-	$0 + j0.02$	-	mS
Reverse Transfer Admittance (Figure 22)	$Y_{12}$	$V_{CB} = 3\text{V}$ , $f = 1\text{MHz}$ Total Stage $I_C \approx 2.5\text{ mA}$	-	$0.004 - j0.005$	-	$\mu\text{S}$
Noise Figure	NF	$f = 100\text{MHz}$	-	8	-	dB

Test Circuits

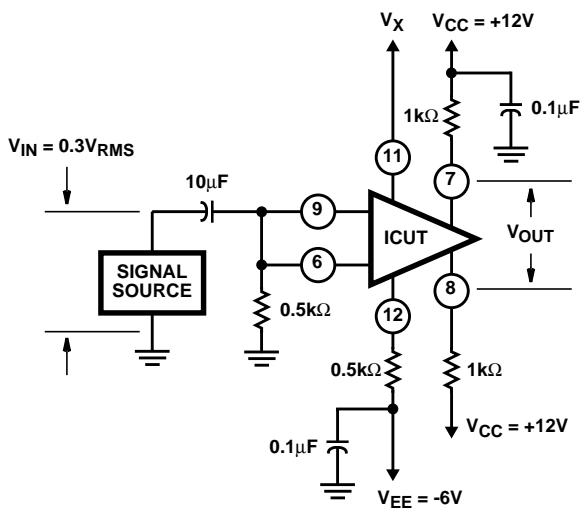


FIGURE 1. COMMON MODE REJECTION RATIO TEST SETUP

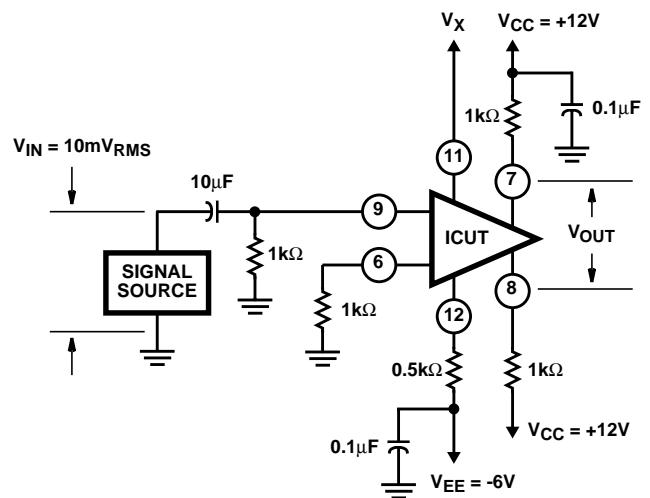


FIGURE 2. SINGLE STAGE VOLTAGE GAIN TEST SETUP

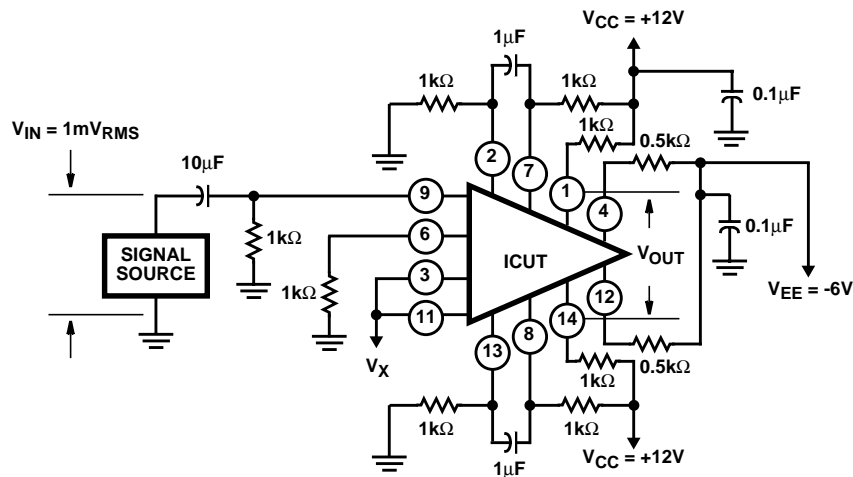
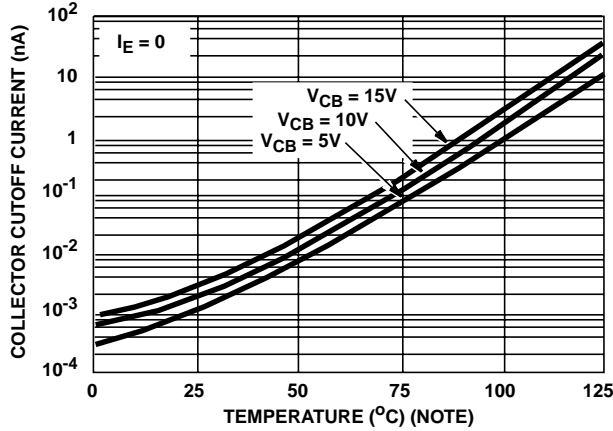


FIGURE 3. TWO STAGE VOLTAGE GAIN TEST SETUP

Typical Performance Curves



NOTE: For CA3054 use data from 0°C to 85°C only.

FIGURE 4. COLLECTOR-TO-BASE CUTOFF CURRENT vs TEMPERATURE FOR EACH TRANSISTOR

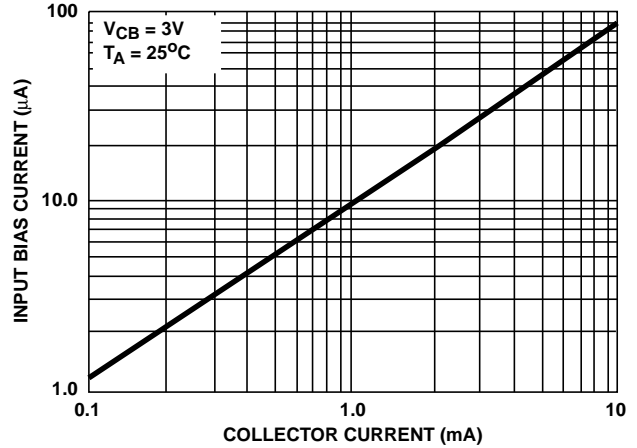
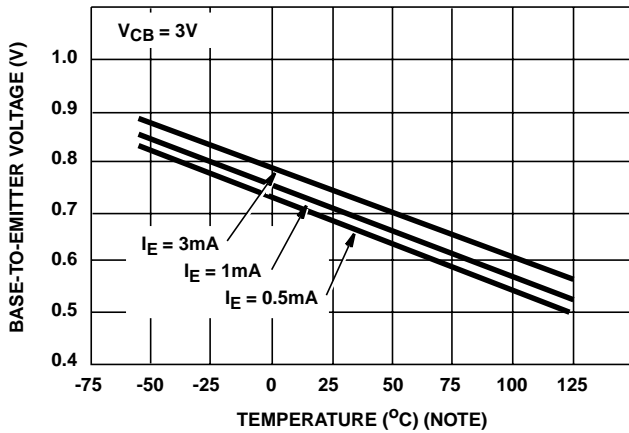
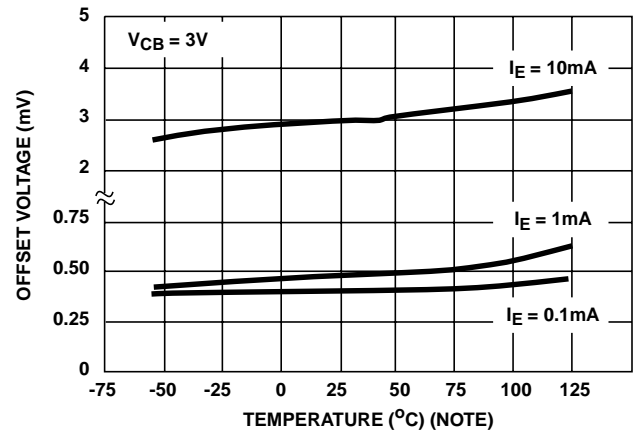


FIGURE 5. INPUT BIAS CURRENT vs COLLECTOR CURRENT FOR EACH TRANSISTOR



NOTE: For CA3054 use data from 0°C to 85°C only.

FIGURE 6. BASE-TO-EMITTER VOLTAGE FOR EACH TRANSISTOR vs TEMPERATURE



NOTE: For CA3054 use data from 0°C to 85°C only.

FIGURE 7. OFFSET VOLTAGE vs TEMPERATURE FOR DIFFERENTIAL PAIRS

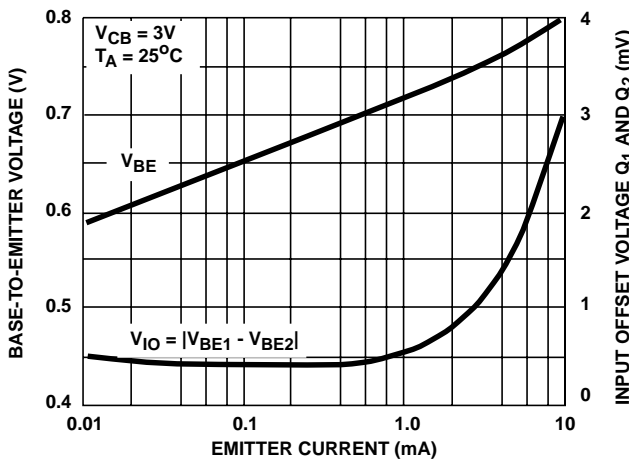


FIGURE 8. STATIC BASE-TO-EMITTER VOLTAGE AND INPUT OFFSET VOLTAGE FOR DIFFERENTIAL PAIRS vs EMITTER CURRENT

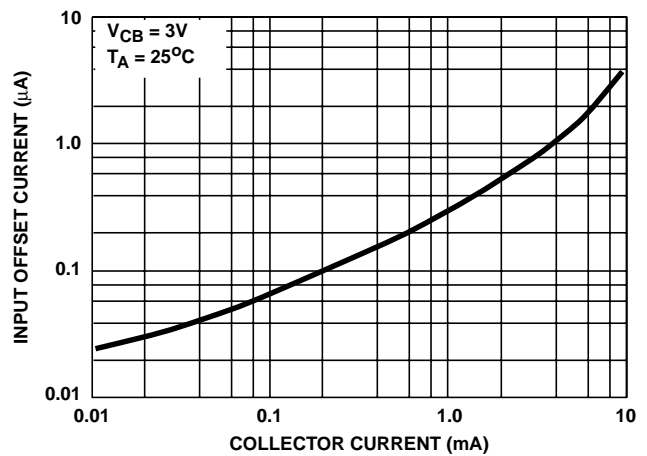


FIGURE 9. INPUT OFFSET CURRENT FOR MATCHED DIFFERENTIAL PAIRS vs COLLECTOR CURRENT

Typical Performance Curves (Continued)

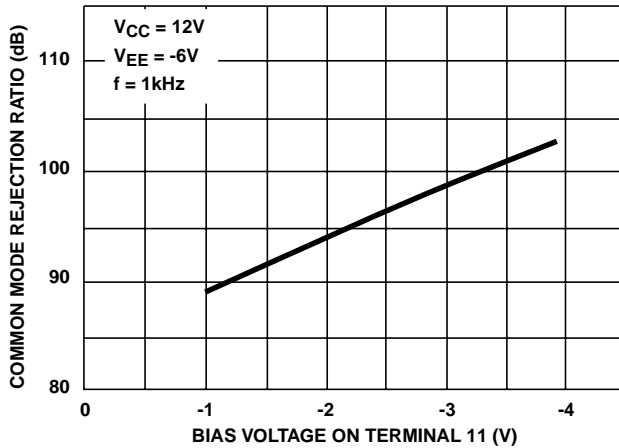


FIGURE 10. COMMON MODE REJECTION RATIO CHARACTERISTIC

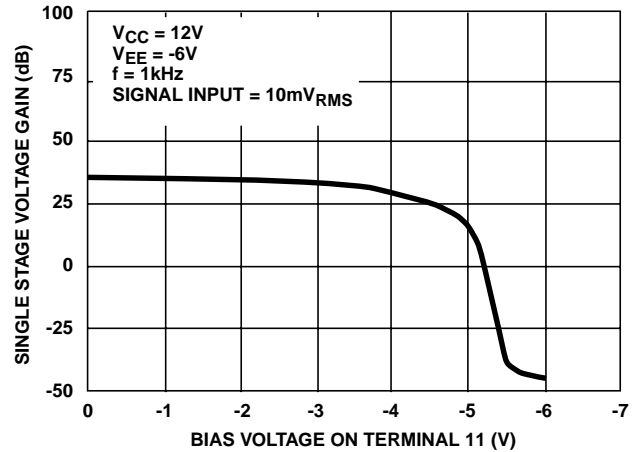


FIGURE 11. SINGLE STAGE VOLTAGE GAIN CHARACTERISTIC

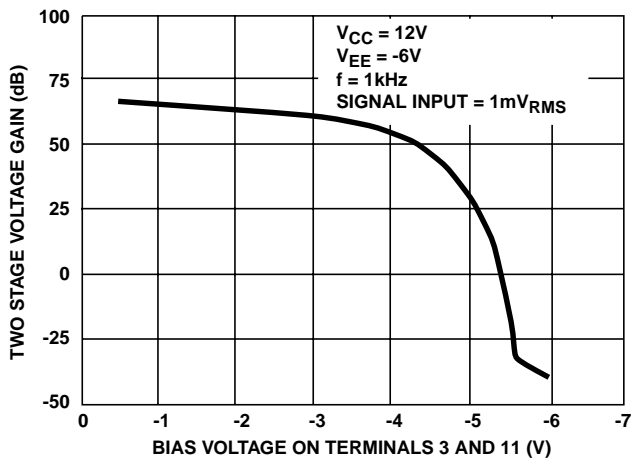


FIGURE 12. TWO STAGE VOLTAGE GAIN CHARACTERISTIC

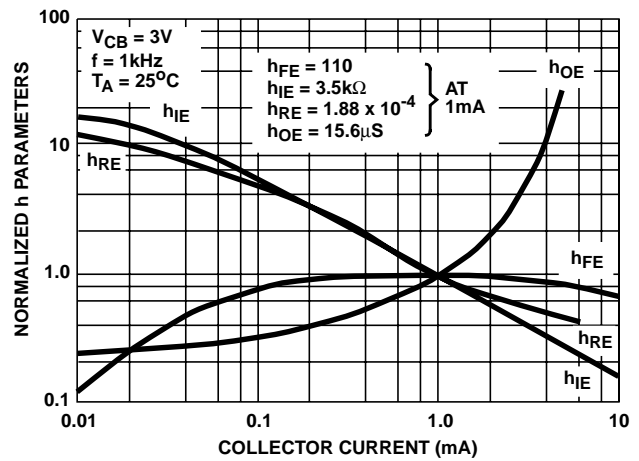


FIGURE 13. FORWARD CURRENT TRANSFER RATIO ( $h_{FE}$ ), SHORT CIRCUIT INPUT IMPEDANCE ( $h_{IE}$ ), OPEN CIRCUIT OUTPUT IMPEDANCE ( $h_{OE}$ ), AND OPEN CIRCUIT REVERSE VOLTAGE TRANSFER RATIO ( $h_{RE}$ ) vs COLLECTOR CURRENT FOR EACH TRANSISTOR

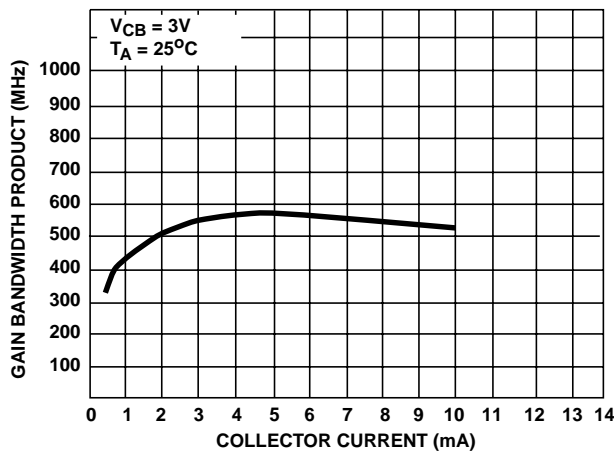


FIGURE 14. GAIN BANDWIDTH PRODUCT ( $f_T$ ) vs COLLECTOR CURRENT

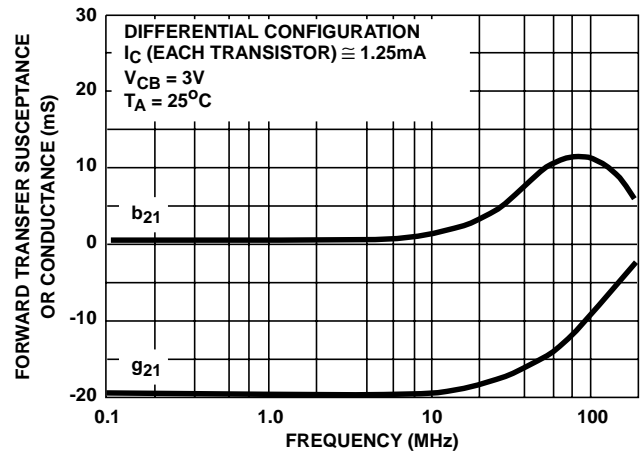


FIGURE 15. FORWARD TRANSFER ADMITTANCE ( $Y_{21}$ ) vs FREQUENCY

Typical Performance Curves (Continued)

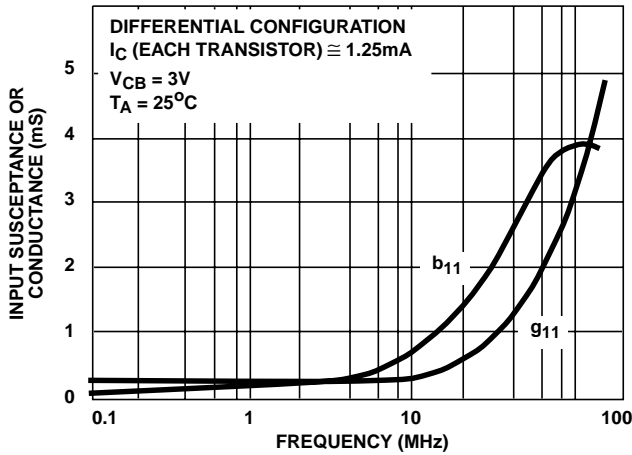


FIGURE 16. INPUT ADMITTANCE ( $Y_{11}$ )

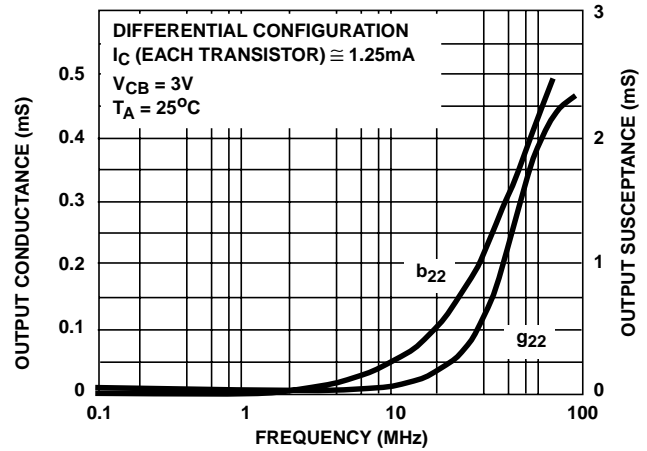


FIGURE 17. OUTPUT ADMITTANCE ( $Y_{22}$ ) vs FREQUENCY

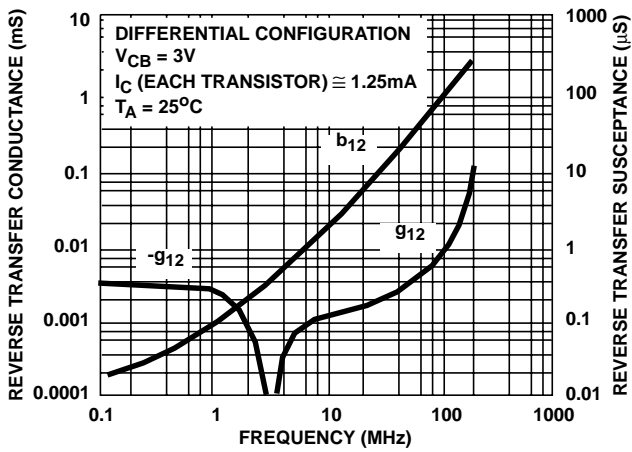


FIGURE 18. REVERSE TRANSFER ADMITTANCE ( $Y_{12}$ ) vs FREQUENCY

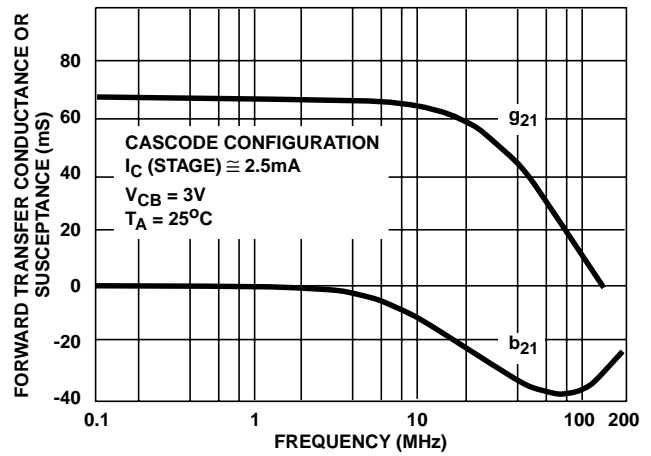


FIGURE 19. FORWARD TRANSFER ADMITTANCE ( $Y_{21}$ ) vs FREQUENCY

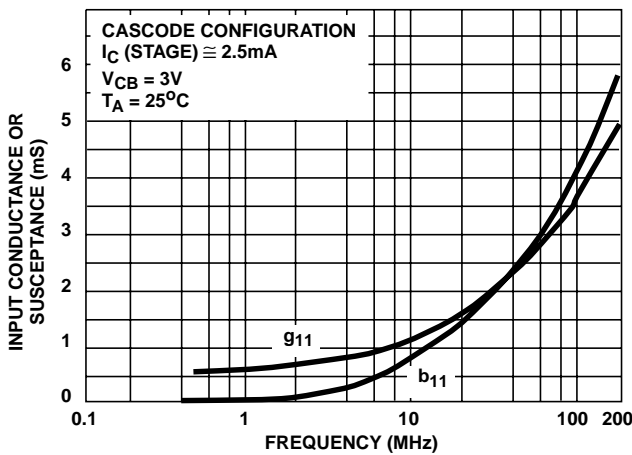


FIGURE 20. INPUT ADMITTANCE ( $Y_{11}$ ) vs FREQUENCY

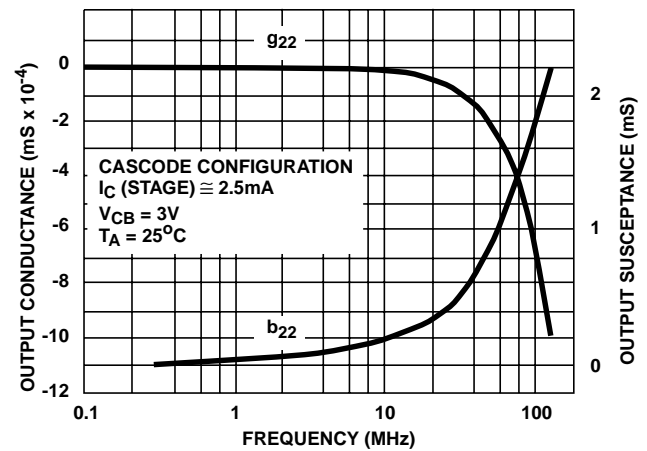


FIGURE 21. OUTPUT ADMITTANCE ( $Y_{22}$ ) vs FREQUENCY

## Typical Performance Curves (Continued)

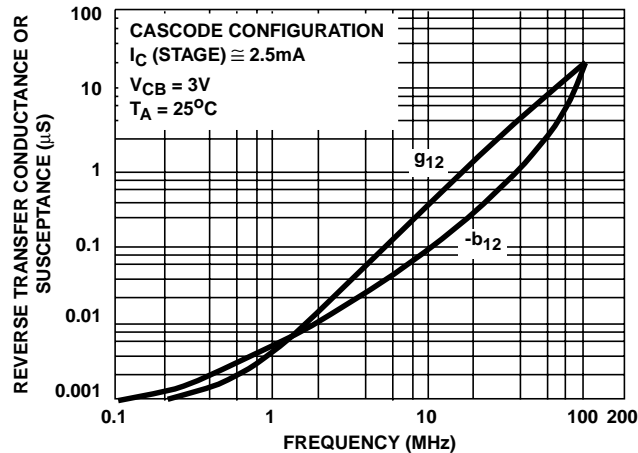


FIGURE 22. REVERSE TRANSFER ADMITTANCE ( $Y_{12}$ ) vs FREQUENCY

All Intersil semiconductor products are manufactured, assembled and tested under **ISO9000** quality systems certification.

*Intersil semiconductor products are sold by description only. Intersil Corporation reserves the right to make changes in circuit design and/or specifications at any time without notice. Accordingly, the reader is cautioned to verify that data sheets are current before placing orders. Information furnished by Intersil is believed to be accurate and reliable. However, no responsibility is assumed by Intersil or its subsidiaries for its use; nor for any infringements of patents or other rights of third parties which may result from its use. No license is granted by implication or otherwise under any patent or patent rights of Intersil or its subsidiaries.*

For information regarding Intersil Corporation and its products, see web site <http://www.intersil.com>

### Sales Office Headquarters

#### NORTH AMERICA

Intersil Corporation  
P. O. Box 883, Mail Stop 53-204  
Melbourne, FL 32902  
TEL: (407) 724-7000  
FAX: (407) 724-7240

#### EUROPE

Intersil SA  
Mercure Center  
100, Rue de la Fusee  
1130 Brussels, Belgium  
TEL: (32) 2.724.2111  
FAX: (32) 2.724.22.05

#### ASIA

Intersil (Taiwan) Ltd.  
7F-6, No. 101 Fu Hsing North Road  
Taipei, Taiwan  
Republic of China  
TEL: (886) 2 2716 9310  
FAX: (886) 2 2715 3029