

# 1-Mb (128K x 8) Static RAM

## Features

- **Very high speed: 55 and 70 ns**
- **Wide voltage range: 2.2V to 3.6V**
- **Pin compatible with CY62128V**
- **Ultra-low active power**
  - Typical active current: 0.85 mA @ f = 1 MHz
  - Typical active current: 5 mA @ f = f<sub>MAX</sub>
- **Ultra-low standby power**
- **Easy memory expansion with  $\overline{CE}_1$ , CE<sub>2</sub>, and  $\overline{OE}$  features**
- **Automatic power-down when deselected**
- **Available in Pb-free and non Pb-free 32-lead SOIC, 32-lead TSOP and 32-lead Small TSOP, non Pb-free 32-lead Reverse TSOP packages**

## Functional Description<sup>[1]</sup>

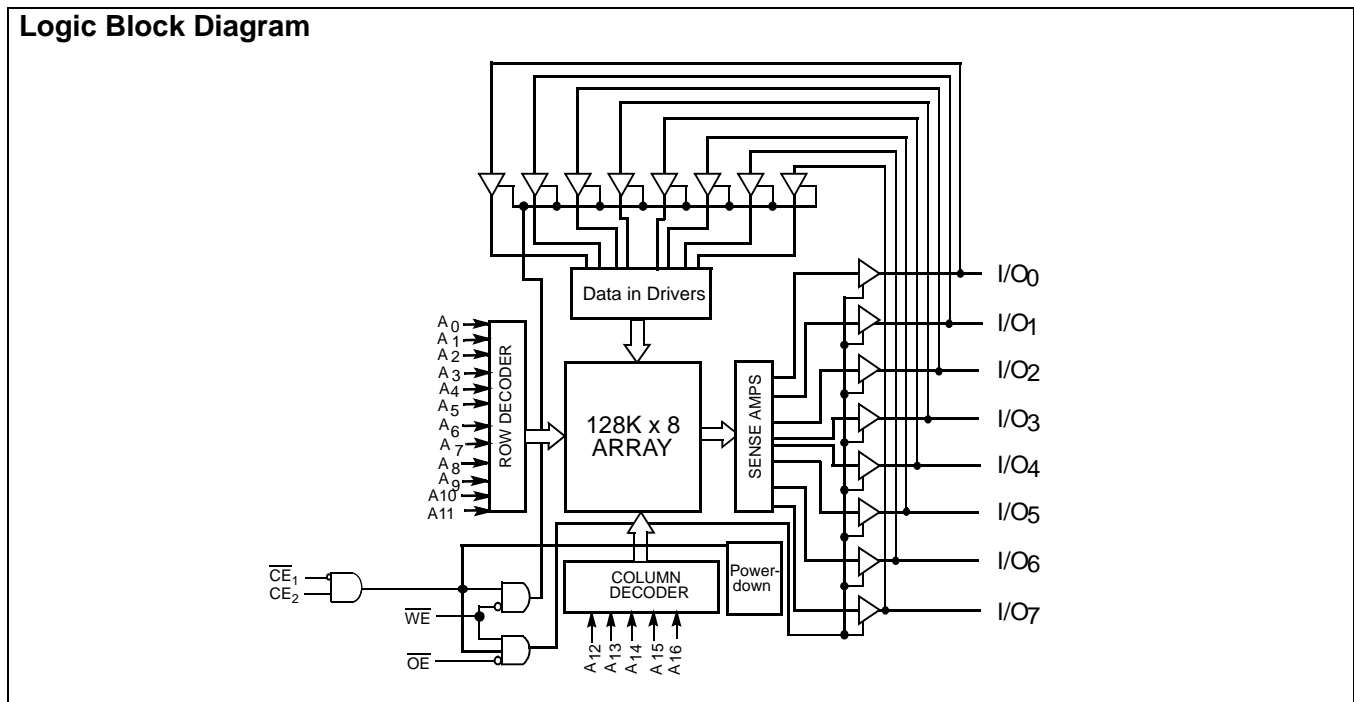
The CY62128DV30 is a high-performance CMOS static RAM organized as 128K words by 8 bits. This device features advanced circuit design to provide ultra-low active current. This is ideal for providing More Battery Life™ (MoBL<sup>®</sup>) in portable applications such as cellular telephones. The device

also has an automatic power-down feature that significantly reduces power consumption by 90% when addresses are not toggling. The device can be put into standby mode reducing power consumption by more than 99% when deselected Chip Enable 1 ( $\overline{CE}_1$ ) HIGH or Chip Enable 2 (CE<sub>2</sub>) LOW. The input/output pins (I/O<sub>0</sub> through I/O<sub>7</sub>) are placed in a high-impedance state when: deselected Chip Enable 1 ( $\overline{CE}_1$ ) HIGH or Chip Enable 2 (CE<sub>2</sub>) LOW, outputs are disabled (OE HIGH), or during a write operation (Chip Enable 1 ( $\overline{CE}_1$ ) LOW and Chip Enable 2 (CE<sub>2</sub>) HIGH and Write Enable (WE) LOW).

Writing to the device is accomplished by taking Chip Enable 1 ( $\overline{CE}_1$ ) LOW with Chip Enable 2 (CE<sub>2</sub>) HIGH and Write Enable (WE) LOW. Data on the eight I/O pins is then written into the location specified on the Address pin (A<sub>0</sub> through A<sub>16</sub>).

Reading from the device is accomplished by taking Chip Enable 1 ( $\overline{CE}_1$ ) LOW with Chip Enable 2 (CE<sub>2</sub>) HIGH and Output Enable ( $\overline{OE}$ ) LOW while forcing the Write Enable (WE) HIGH. Under these conditions, the contents of the memory location specified by the address pins will appear on the I/O pins.

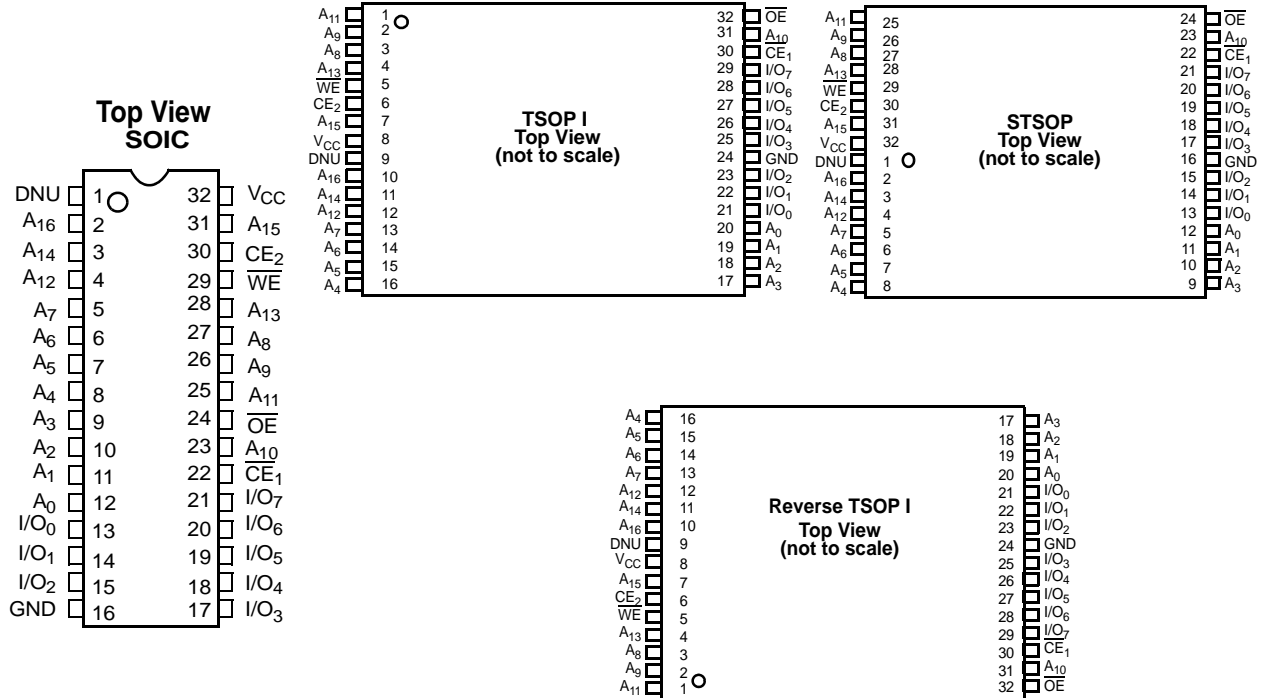
The eight input/output pins (I/O<sub>0</sub> through I/O<sub>7</sub>) are placed in a high-impedance state when the device is deselected ( $\overline{CE}_1$  HIGH or CE<sub>2</sub> LOW), the outputs are disabled (OE HIGH) or during a write operation (CE<sub>1</sub> LOW, CE<sub>2</sub> HIGH), and WE LOW).



**Note:**

1. For best-practice recommendations, please refer to the Cypress application note "System Design Guidelines" on <http://www.cypress.com>.

Pin Configurations<sup>[2]</sup>



Product Portfolio

Product	V <sub>CC</sub> Range (V)			Speed (ns)	Power Dissipation					
					Operating, I <sub>CC</sub> (mA)				Standby, I <sub>SB2</sub> (μA)	
	f = 1 MHz		f = f <sub>MAX</sub>							
	Min.	Typ.	Max.		Typ. <sup>[4]</sup>	Max.	Typ. <sup>[4]</sup>	Max.	Typ. <sup>[4]</sup>	Max.
CY62128DV30L	2.2	3.0	3.6	55/70	0.85	1.5	5	10	1.5	5
CY62128DV30LL				55/70	0.85	1.5	5	10	1.5	4

Notes:

- NC pins are not connected to the die.
- DNU pins have to be left floating or tied to V<sub>SS</sub> to ensure proper application.
- Typical values are included for reference only and are not guaranteed or tested. Typical values are measured at V<sub>CC</sub> = V<sub>CC(typ)</sub>, T<sub>A</sub> = 25°C.

**Maximum Ratings**

(Above which the useful life may be impaired. For user guidelines, not tested.)

Storage Temperature ..... -65°C to +150°C  
 Ambient Temperature with Power Applied..... -55°C to +125°C  
 Supply Voltage to Ground Potential ..... -0.3V to 3.9V  
 DC Voltage Applied to Outputs in High-Z State<sup>[5]</sup>..... -0.3V to V<sub>CC</sub> + 0.3V

DC Input Voltage<sup>[5]</sup> ..... -0.3V to V<sub>CC</sub> + 0.3V  
 Output Current into Outputs (LOW)..... 20 mA  
 Static Discharge Voltage..... > 2001V (per MIL-STD-883, Method 3015)  
 Latch-up Current..... > 200 mA

**Operating Range**

Range	Ambient Temperature (T <sub>A</sub> )	V <sub>CC</sub> <sup>[6]</sup>
Industrial	-40°C to +85°C	2.2V to 3.6V

**DC Electrical Characteristics (Over the Operating Range)**

Parameter	Description	Test Conditions	CY62128DV30-55/70			Unit	
			Min.	Typ. <sup>[4]</sup>	Max.		
V <sub>OH</sub>	Output HIGH Voltage	2.2 ≤ V <sub>CC</sub> ≤ 2.7	I <sub>OH</sub> = -0.1 mA	2.0		V	
		2.7 ≤ V <sub>CC</sub> ≤ 3.6	I <sub>OH</sub> = -1.0 mA	2.4			
V <sub>OL</sub>	Output LOW Voltage	2.2 ≤ V <sub>CC</sub> ≤ 2.7	I <sub>OL</sub> = 0.1 mA		0.4	V	
		2.7 ≤ V <sub>CC</sub> ≤ 3.6	I <sub>OL</sub> = 2.1 mA		0.4		
V <sub>IH</sub>	Input HIGH Voltage	2.2 ≤ V <sub>CC</sub> ≤ 2.7		1.8	V <sub>CC</sub> + 0.3	V	
		2.7 ≤ V <sub>CC</sub> ≤ 3.6		2.2	V <sub>CC</sub> + 0.3		
V <sub>IL</sub>	Input LOW Voltage	2.2 ≤ V <sub>CC</sub> ≤ 2.7		-0.3	0.6	V	
		2.7 ≤ V <sub>CC</sub> ≤ 3.6		-0.3	0.8		
I <sub>IX</sub>	Input Leakage Current	GND ≤ V <sub>I</sub> ≤ V <sub>CC</sub>		-1	+1	μA	
I <sub>OZ</sub>	Output Leakage Current	GND ≤ V <sub>O</sub> ≤ V <sub>CC</sub> , Output Disabled		-1	+1	μA	
I <sub>CC</sub>	V <sub>CC</sub> Operating Supply Current	f = f <sub>MAX</sub> = 1/t <sub>RC</sub>	V <sub>CC</sub> = 3.6V, I <sub>OUT</sub> = 0mA, CMOS level		5	10	mA
		f = 1 MHz			0.85	1.5	
I <sub>SB1</sub>	Automatic CE Power-down Current – CMOS Inputs	CE <sub>1</sub> ≥ V <sub>CC</sub> - 0.2V, CE <sub>2</sub> ≤ 0.2V, V <sub>IN</sub> ≥ V <sub>CC</sub> - 0.2V, V <sub>IN</sub> ≤ 0.2V, f = f <sub>MAX</sub> (Address and Data Only), f = 0 (OE, WE,)	L		1.5	5	μA
			LL		1.5	4	
I <sub>SB2</sub>	Automatic CE Power-down Current – CMOS Inputs	CE <sub>1</sub> ≥ V <sub>CC</sub> - 0.2V, CE <sub>2</sub> ≤ 0.2V, V <sub>IN</sub> ≥ V <sub>CC</sub> - 0.2V or V <sub>IN</sub> ≤ 0.2V, f = 0, V <sub>CC</sub> =3.6V	L		1.5	5	μA
			LL		1.5	4	

**Capacitance<sup>[7]</sup>**

Parameter	Description	Test Conditions	Max.	Unit
C <sub>IN</sub>	Input Capacitance	T <sub>A</sub> = 25°C, f = 1 MHz	8	pF
C <sub>OUT</sub>	Output Capacitance	V <sub>CC</sub> = V <sub>CC(typ)</sub>	8	pF

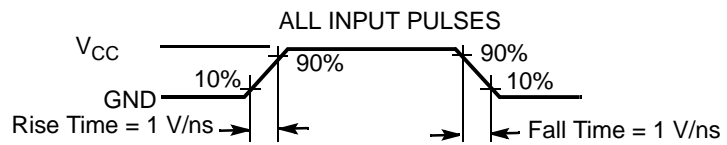
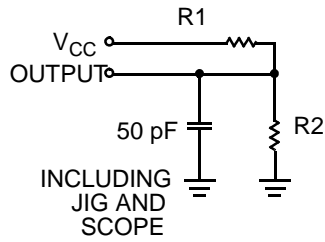
**Thermal Resistance<sup>[7]</sup>**

Parameter	Description	Test Conditions	SOIC	TSOP I	RTSOP	STSOP	Unit
θ <sub>JA</sub>	Thermal Resistance (Junction to Ambient)	Still Air, soldered on a 3 x 4.5 inch, two-layer printed circuit board	69	93	93	65	°C/W
θ <sub>JC</sub>	Thermal Resistance (Junction to Case)		34	17	17	15	°C/W

**Notes:**

- V<sub>IL(min.)</sub> = -2.0V for pulse durations less than 20 ns. V<sub>IH(max.)</sub> = V<sub>CC</sub>+0.75V for pulse durations less than 20 ns.
- Full device operation requires linear ramp of V<sub>CC</sub> from 0V to V<sub>CC(min)</sub> and V<sub>CC</sub> must be stable at V<sub>CC(min)</sub> for 500 μ s.
- Tested initially and after any design or process changes that may affect these parameters.

AC Test Loads and Waveforms<sup>[8]</sup>



Equivalent to: THEVENIN EQUIVALENT

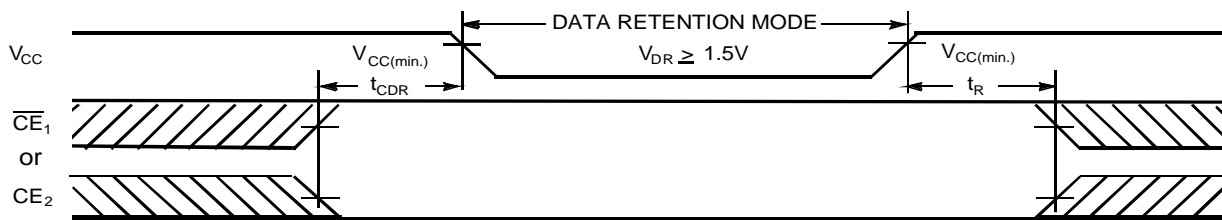


Parameters	2.5V (2.2V - 2.7V)	3.0V (2.7V - 3.6V)	Unit
R1	16600	1103	$\Omega$
R2	15400	1554	$\Omega$
R <sub>TH</sub>	8000	645	$\Omega$
V <sub>TH</sub>	1.20	1.75	V

Data Retention Characteristics

Parameter	Description	Conditions	Min.	Typ. <sup>[4]</sup>	Max.	Unit
V <sub>DR</sub>	V <sub>CC</sub> for Data Retention		1.5			V
I <sub>CCDR</sub>	Data Retention Current	V <sub>CC</sub> = 1.5V, $\overline{CE}_1 \geq V_{CC} - 0.2V$ , $CE_2 \leq 0.2V$ , V <sub>IN</sub> $\geq V_{CC} - 0.2V$ or V <sub>IN</sub> $\leq 0.2V$	L		4	$\mu A$
			LL		3	
t <sub>CDR</sub> <sup>[4]</sup>	Chip Deselect to Data Retention Time		0			ns
t <sub>R</sub> <sup>[8]</sup>	Operation Recovery Time		100			$\mu s$

Data Retention Waveform

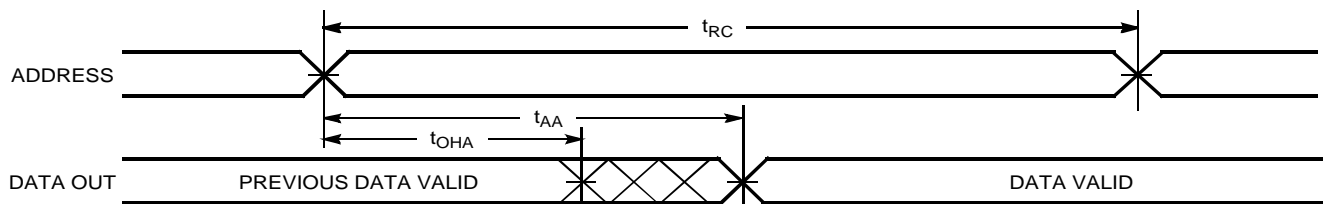


Note:

8. Full device operation requires linear V<sub>CC</sub> ramp from V<sub>DR</sub> to V<sub>CC(min.)</sub> > 100  $\mu s$ .

**Switching Characteristics** (Over the Operating Range)<sup>[9]</sup>

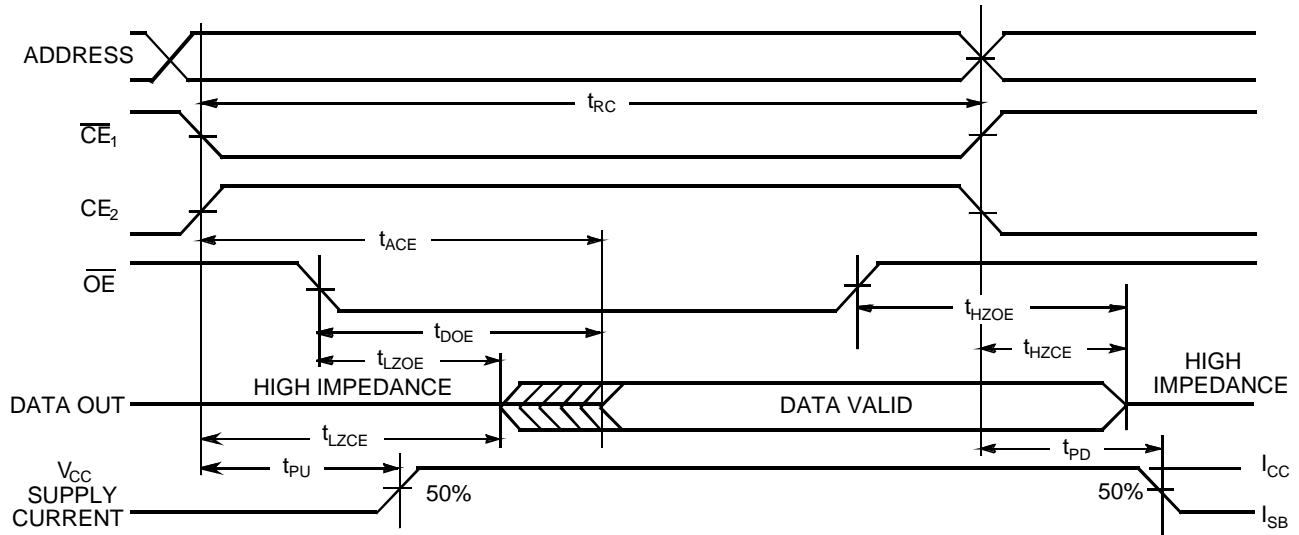
Parameter	Description	CY62128DV30-55		CY62128DV30-70		Unit
		Min.	Max.	Min.	Max.	
<b>Read Cycle</b>						
$t_{RC}$	Read Cycle Time	55		70		ns
$t_{AA}$	Address to Data Valid		55		70	ns
$t_{OHA}$	Data Hold from Address Change	10		10		ns
$t_{ACE}$	$\overline{CE}_1$ LOW or $CE_2$ HIGH to Data Valid		55		70	ns
$t_{DOE}$	$\overline{OE}$ LOW to Data Valid		25		35	ns
$t_{LZOE}$	$\overline{OE}$ LOW to Low $Z^{[10]}$	5		5		ns
$t_{HZOE}$	$\overline{OE}$ HIGH to High $Z^{[10, 11]}$		20		25	ns
$t_{LZCE}$	$\overline{CE}_1$ LOW or $CE_2$ HIGH to Low $Z^{[10]}$	10		10		ns
$t_{HZCE}$	$\overline{CE}_1$ HIGH or $CE_2$ LOW to High $Z^{[10, 11]}$		20		25	ns
$t_{PU}$	$\overline{CE}_1$ LOW or $CE_2$ HIGH to Power-up	0		0		ns
$t_{PD}$	$\overline{CE}_1$ HIGH or $CE_2$ LOW to Power-down		55		70	ns
<b>Write Cycle<sup>[12]</sup></b>						
$t_{WC}$	Write Cycle Time	55		70		ns
$t_{SCE}$	$\overline{CE}_1$ LOW or $CE_2$ HIGH to Write End	40		60		ns
$t_{AW}$	Address Set-up to Write End	40		60		ns
$t_{HA}$	Address Hold from Write End	0		0		ns
$t_{SA}$	Address Set-up to Write Start	0		0		ns
$t_{PWE}$	$\overline{WE}$ Pulse Width	40		50		ns
$t_{SD}$	Data Set-up to Write End	25		30		ns
$t_{HD}$	Data Hold from Write End	0		0		ns
$t_{HZWE}$	$\overline{WE}$ LOW to High $Z^{[10, 11]}$		20		25	ns
$t_{LZWE}$	$\overline{WE}$ HIGH to Low $Z^{[10]}$	10		10		ns

**Switching Waveforms**
**Read Cycle No. 1 (Address Transition Controlled)<sup>[13, 14]</sup>**

**Notes:**

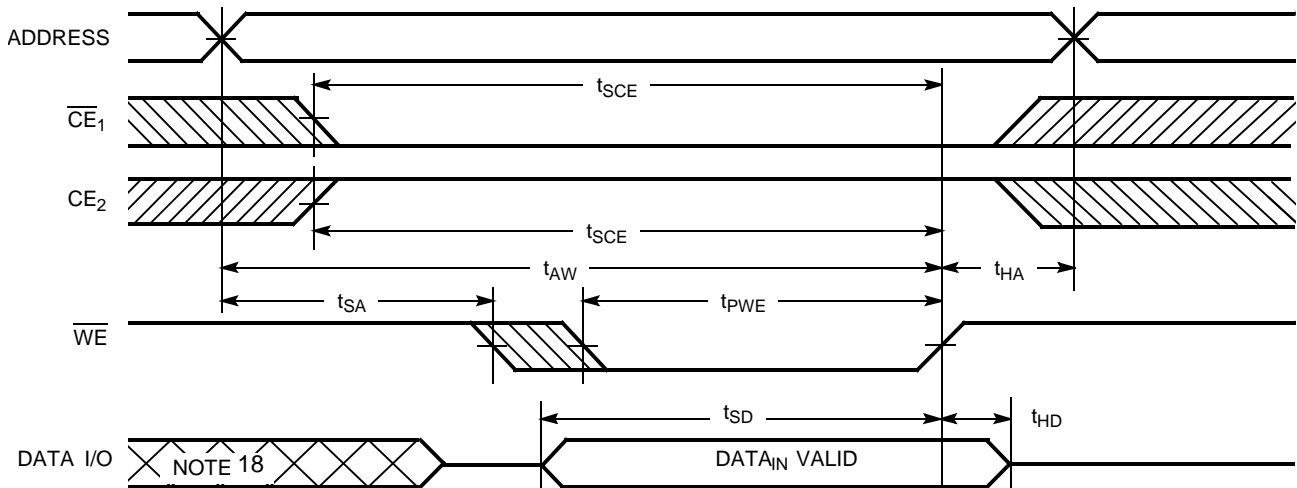
9. Test conditions assume signal transition time of 1V/ns or less, timing reference levels of  $V_{CC(typ.)}/2$ , input pulse levels of 0 to  $V_{CC(typ.)}$ , and output loading of the specified  $I_{OL}$ .
10. At any given temperature and voltage condition,  $t_{HZCE}$  is less than  $t_{LZCE}$ ,  $t_{HZBE}$  is less than  $t_{LZBE}$ ,  $t_{HZOE}$  is less than  $t_{LZOE}$ .
11.  $t_{HZOE}$ ,  $t_{HZCE}$ ,  $t_{HZBE}$ , and  $t_{HZWE}$  transitions are measured when the outputs enter a high-impedance state.
12. The internal write time of the memory is defined by the overlap of  $\overline{WE}$ ,  $\overline{CE}_1 = V_{IL}$ , and  $CE_2 = V_{IH}$ . All signals.
13. Device is continuously selected.  $\overline{OE}$ ,  $CE_1 = V_{IL}$ ,  $CE_2 = V_{IH}$ .
14.  $\overline{WE}$  is HIGH for Read cycle.

**Switching Waveforms (continued)**

**Read Cycle No. 2 ( $\overline{OE}$  Controlled)**<sup>[11, 14, 15]</sup>



**Write Cycle No. 1 ( $\overline{WE}$  Controlled)**<sup>[12, 16, 17, 18]</sup>

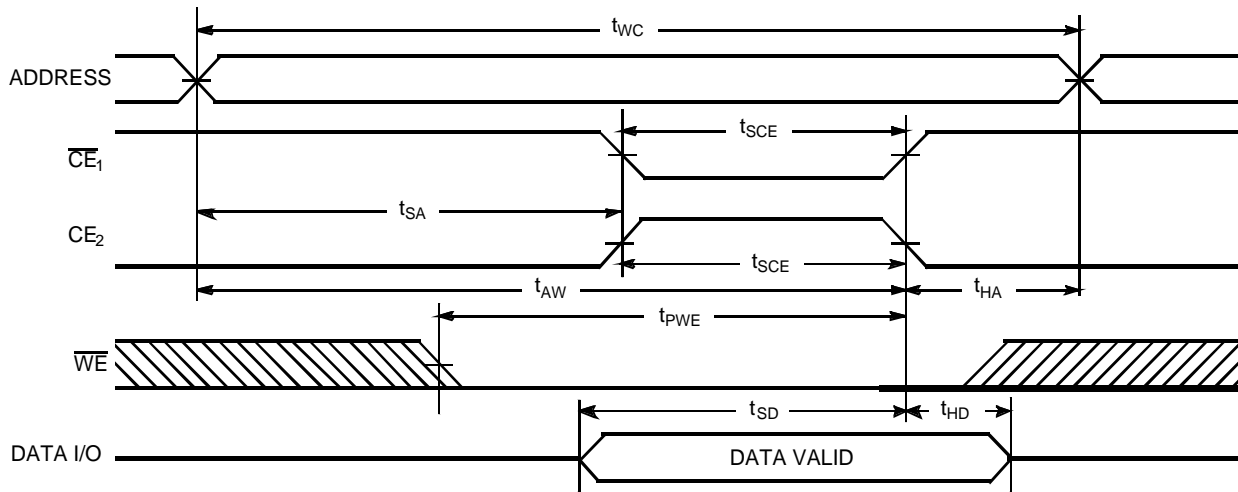


**Notes:**

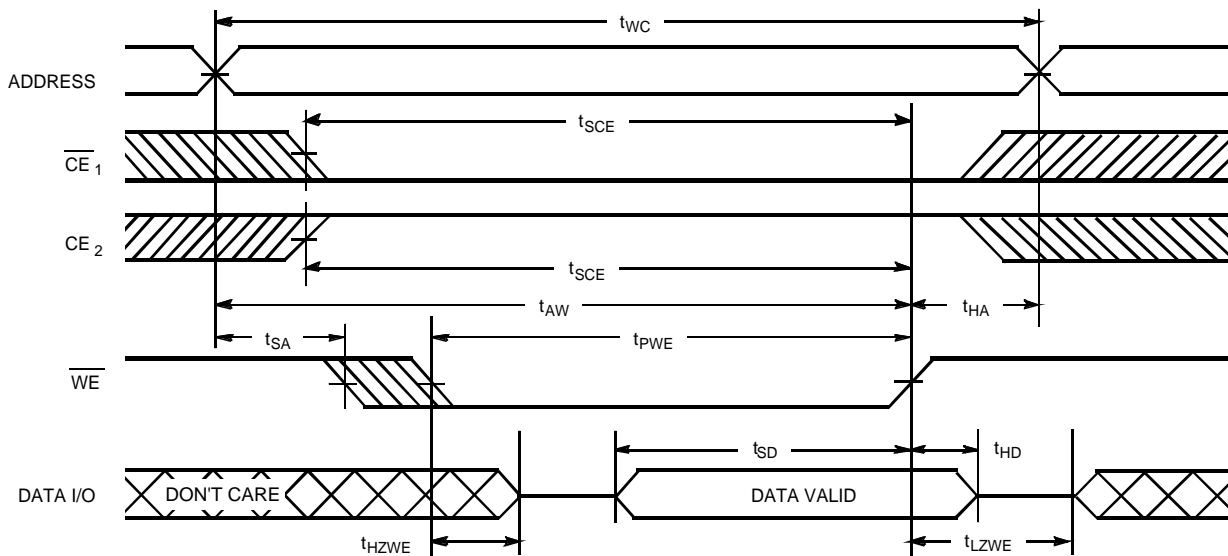
- 15. Address valid prior to or coincident with  $\overline{CE}_1$  transition LOW and  $CE_2$  transition HIGH.
- 16. Data I/O is high-impedance if  $\overline{OE} = V_{IH}$ .
- 17. If  $\overline{CE}_1$  goes HIGH or  $CE_2$  goes LOW simultaneously with  $\overline{WE}$  HIGH, the output remains in a high-impedance state.
- 18. During the DON'T CARE period in the DATA I/O waveform, the I/Os are in output state and input signals should not be applied.

Switching Waveforms (continued)

Write Cycle No. 2 ( $\overline{CE}_1$  or  $\overline{CE}_2$  Controlled)<sup>[12, 16, 17, 18]</sup>



Write Cycle No. 3 ( $\overline{WE}$  Controlled,  $\overline{OE}$  LOW)<sup>[10, 16, 17]</sup>



Truth Table

$\overline{CE}_1$	$\overline{CE}_2$	$\overline{WE}$	$\overline{OE}$	I/O <sub>0</sub> -I/O <sub>7</sub>	M <sub>ODE</sub>	Power
H	X	X	X	High Z	Deselet/Power-down	Standby (I <sub>SB</sub> )
X	L	X	X	High Z	Deselet/Power-down	Standby (I <sub>SB</sub> )
L	H	H	L	Data out	Read	Active (I <sub>CC</sub> )
L	H	H	H	High Z	Output Disabled	Active (I <sub>CC</sub> )
L	H	L	X	Data In	Write	Active (I <sub>CC</sub> )

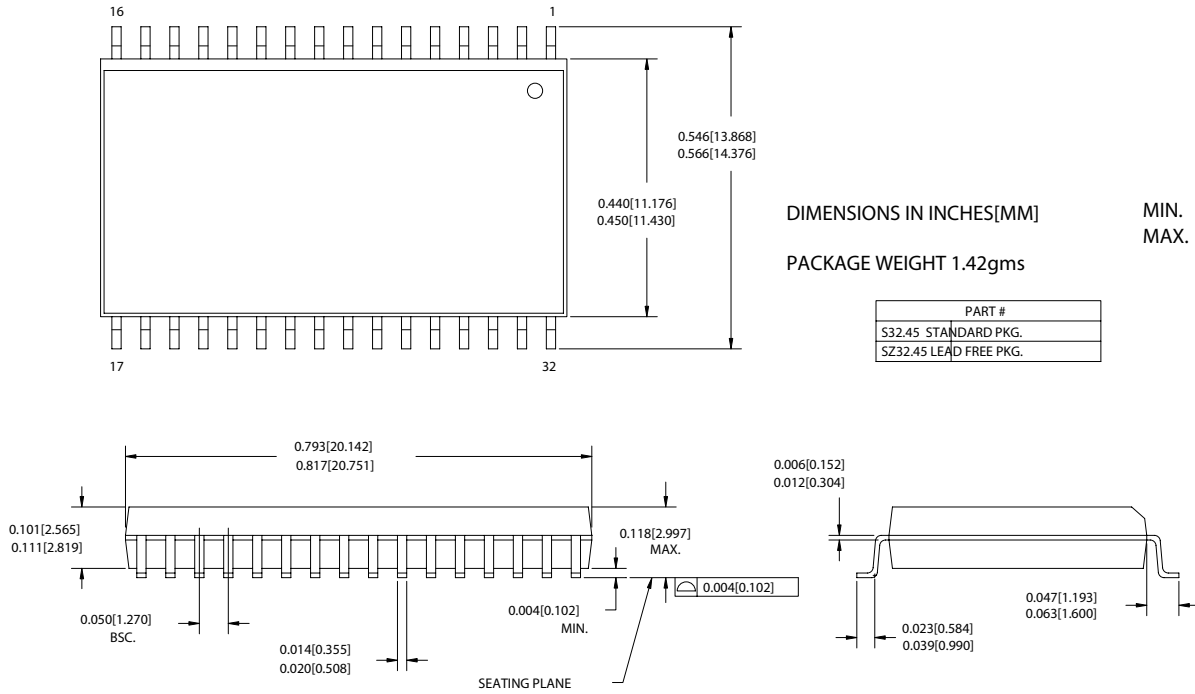
**Ordering Information**

Speed (ns)	Ordering Code	Package Diagram	Package Type	Operating Range
55	CY62128DV30L-55SI	51-85081	32-lead SOIC	Industrial
	CY62128DV30LL-55SI	51-85081	32-lead SOIC	
	CY62128DV30LL-55SXI	51-85081	32-lead SOIC (Pb-Free)	
	CY62128DV30L-55ZI	51-85056	32-lead TSOP Type 1	
	CY62128DV30LL-55ZI	51-85056	32-lead TSOP Type 1	
	CY62128DV30LL-55ZXI	51-85056	32-lead TSOP Type 1 (Pb-Free)	
	CY62128DV30L-55ZAI	51-85094	32-lead Small TSOP	
	CY62128DV30LL-55ZAI	51-85094	32-lead Small TSOP	
	CY62128DV30LL-55ZAXI	51-85094	32-lead Small TSOP (Pb-Free)	
	CY62128DV30L-55ZRI	51-85089	32-lead Reverse TSOP	
	CY62128DV30LL-55ZRI	51-85089	32-lead Reverse TSOP	
	CY62128DV30LL-55ZRXI	51-85089	32-lead Reverse TSOP	
	70	CY62128DV30L-70SI	51-85081	
CY62128DV30LL-70SI		51-85081	32-lead SOIC	
CY62128DV30LL-70SXI		51-85081	32-lead SOIC (Pb-Free)	
CY62128DV30L-70ZI		51-85056	32-lead TSOP Type 1	
CY62128DV30LL-70ZI		51-85056	32-lead TSOP Type 1	
CY62128DV30LL-70ZXI		51-85056	32-lead TSOP Type 1 (Pb-Free)	
CY62128DV30L-70ZAI		51-85094	32-lead Small TSOP	
CY62128DV30LL-70ZAI		51-85094	32-lead Small TSOP	
CY62128DV30LL-70ZAXI		51-85094	32-lead Small TSOP (Pb-Free)	
CY62128DV30L-70ZRI		51-85089	32-lead Reverse TSOP	
CY62128DV30LL-70ZRI		51-85089	32-lead Reverse TSOP	



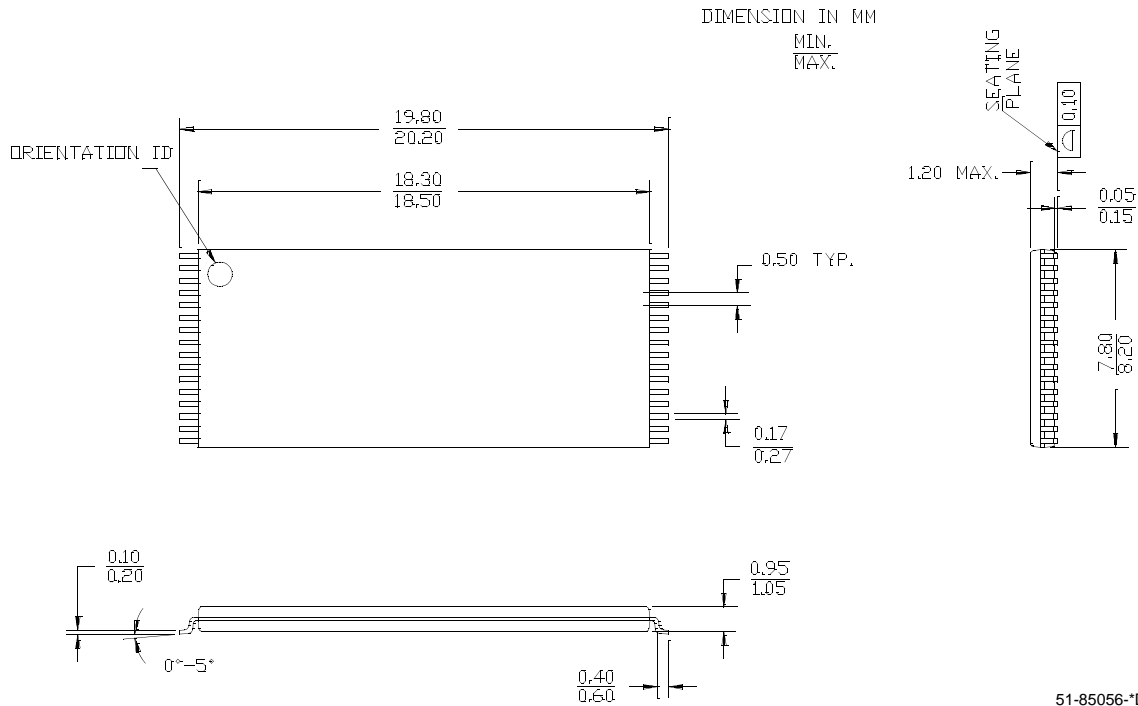
**Package Diagrams**

**32-Lead (450-Mil) SOIC (51-85081)**



51-85081-B

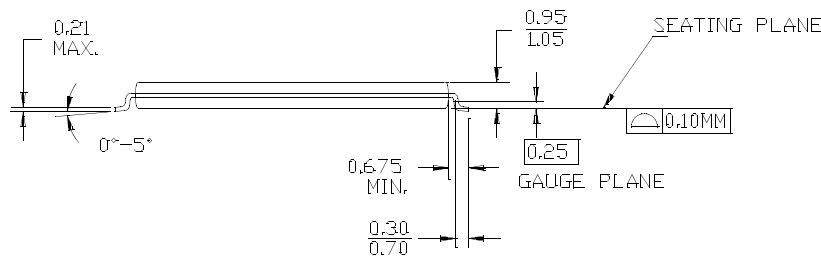
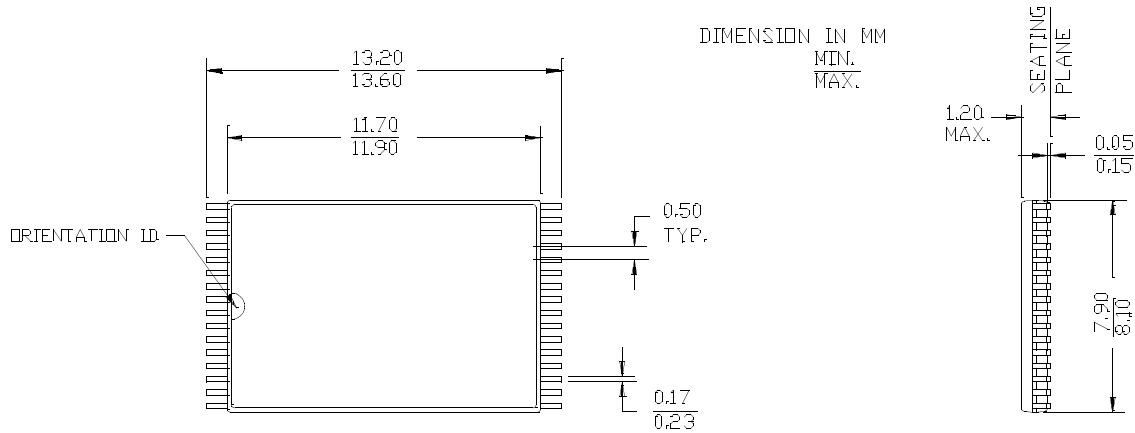
**32-Lead TSOP Type I (8 x 20 mm) (51-85056)**



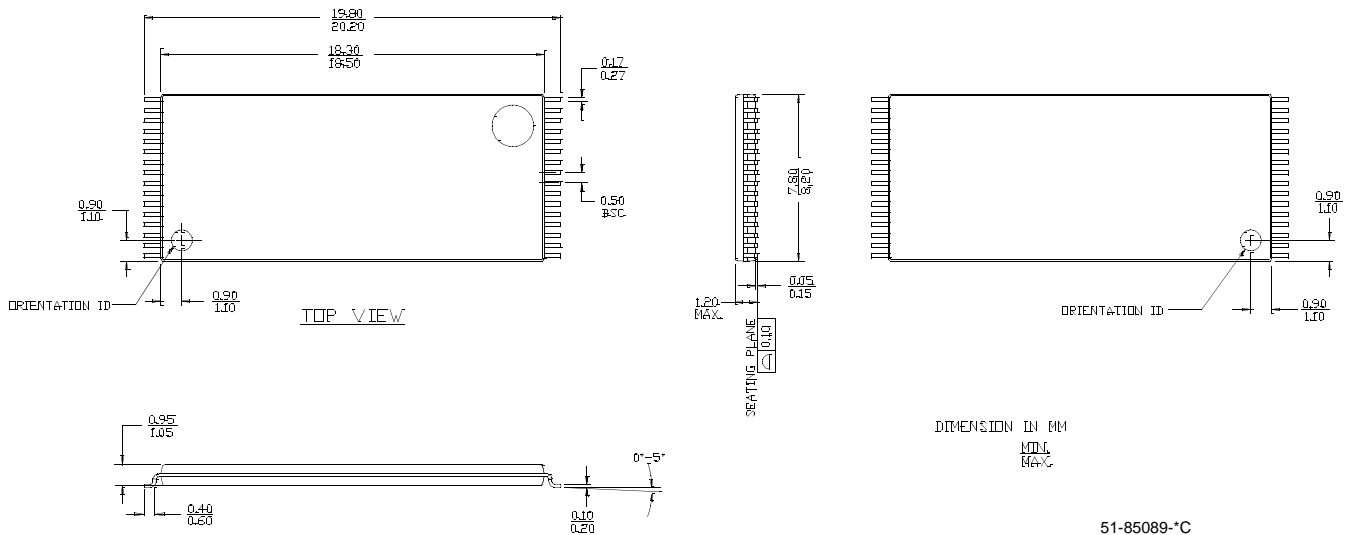
51-85056-D

**Package Diagrams** (continued)

**32-Lead STSOP (8 x 13.4 mm) (51-85094)**



**32-Lead RTSOP (51-85089)**



MoBL is a registered trademark, and MoBL2 and More Battery Life are trademarks, of Cypress Semiconductor Corporation. All product and company names mentioned in this document are the trademarks of their respective holders.

**Document History Page**

<b>Document Title: CY62128DV30 1-Mb (128K x 8) Static RAM</b>				
<b>Document Number: 38-05231</b>				
<b>REV.</b>	<b>ECN NO.</b>	<b>Issue Date</b>	<b>Orig. of Change</b>	<b>Description of Change</b>
**	117691	08/27/02	JUI	New Data Sheet
*A	127314	5/27/03	MPR	Changed from Advance Information to Preliminary Changed Isb2 to 5 $\mu$ A (L), 4 $\mu$ A (LL) Changed Iccdr to 4 $\mu$ A (L), 3 $\mu$ A (LL) Changed Cin from 6 pF to 8 pF
*B	128342	07/23/03	JUI	Changed from Preliminary to Final Add 70-ns speed, updated ordering information
*C	129002	08/29/03	CDY	Changed Icc 1 MHz typ from 0.5 mA to 0.85 mA
*D	347394	See ECN	PCI	Added Lead-Free Packages in Ordering Information Table
*E	395936	See ECN	SYT	Changed address of Cypress Semiconductor Corporation on Page# 1 from "3901 North First Street" to "198 Champion Court" Corrected CE <sub>1</sub> and CE <sub>2</sub> waveforms on Write Cycle No.1 on Page# 6. Edited the Write Cycle No.1 switching waveform Data I/O to include Don't Care Condition on Page# 6 Updated the ordering information on Page # 8
*F	428906	See ECN	AJU	Added Thermal Resistance numbers for RTSOP package Updated Ordering Information table by replacing Package Name column with Package Diagram
*G	464721	See ECN	NXR	Updated the Block Diagram on page # 1
*H	470383	See ECN	NXR	Changed pin# 1 of SOIC and STSOP I, pin # 9 of TSOP I and RTSOP I from NC to DNU and added footnote# 3