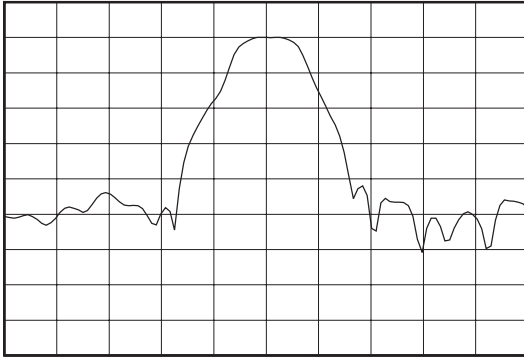
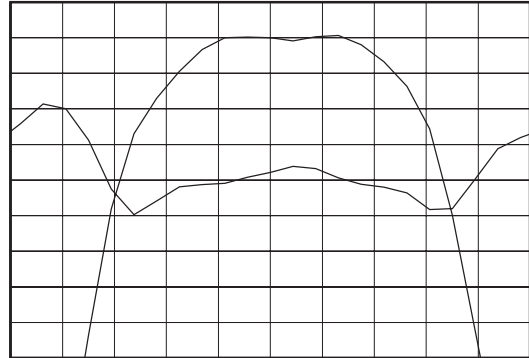


Typical Performance



Horizontal: 400 kHz/Div
Vertical: 10 dB/Div

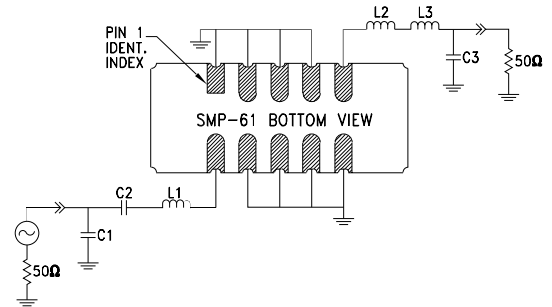
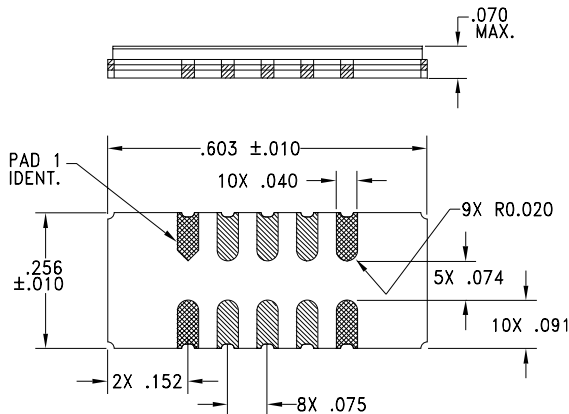


Horizontal: 10 kHz/Div
Vertical: 1 dB/Div
Vertical: 600 nsec/Div

Specifications

Parameter	Unit	Minimum	Typical	Maximum
Center Frequency (f_c)	MHz	-	170.6	-
Insertion Loss @ (f_c)	dB	-	-	8
1 dB Bandedges	MHz	$f_c \pm 0.09$	$f_c \pm 0.17$	-
13 dB Bandedges	MHz	-	$f_c \pm 0.32$	$f_c \pm 0.4$
27 dB Bandedges	MHz	-	$f_c \pm 0.55$	$f_c \pm 0.6$
40 dB Bandedges	MHz	-	$f_c \pm 0.65$	$f_c \pm 0.8$
43 dB Bandedges	MHz	-	$f_c \pm .71$	$f_c \pm 1.6$
47 dB Bandedges	MHz	-	$f_c \pm 1.64$	$f_c \pm 3$
Amplitude variation (170.51 - 170.69 MHz)	dB p-p	-	0.34	1
Group Delay Ripple (170.51 - 170.69 MHz)	nsec	-	304	1000
Minimum rejection (171.4 - 171.6 MHz)	dB	40	47.8	-
Substrate Material	-	-	Quartz	-
Ambient Temperature	°C	-20	25	85

Package Outline Matching Configuration



$L1 = 150 \text{ nH}$, $L2 = 4 \text{ nH}$, $L3 = 47 \text{ nH}$

$C1 = 33 \text{ pf}$, $C2 = 7 \text{ pf}$, $C3 = 47 \text{ pf}$

Nominal Source / Load Impedance = 50Ω

Package Style = SMP-61

12/19/00