

DATA SHEET

For a complete data sheet, please also download:

- The IC06 74HC/HCT/HCU/HCMOS Logic Family Specifications
- The IC06 74HC/HCT/HCU/HCMOS Logic Package Information
- The IC06 74HC/HCT/HCU/HCMOS Logic Package Outlines

74HC/HCT541

Octal buffer/line driver; 3-state

Product specification
File under Integrated Circuits, IC06

December 1990

Octal buffer/line driver; 3-state

74HC/HCT541

FEATURES

- Non-inverting outputs
- Output capability: bus driver
- I_{CC} category: MSI

The 74HC/HCT541 are octal non-inverting buffer/line drivers with 3-state outputs. The 3-state outputs are controlled by the output enable inputs \overline{OE}_1 and \overline{OE}_2 . A HIGH on \overline{OE}_n causes the outputs to assume a high impedance OFF-state.

The "541" is identical to the "540" but has non-inverting outputs.

GENERAL DESCRIPTION

The 74HC/HCT541 are high-speed Si-gate CMOS devices and are pin compatible with low power Schottky TTL (LSTTL). They are specified in compliance with JEDEC standard no. 7A.

QUICK REFERENCE DATA

GND = 0 V; T_{amb} = 25 °C; t_r = t_f = 6 ns

| SYMBOL | PARAMETER | CONDITIONS | TYPICAL | | UNIT |
|-------------------------------------|--|---|---------|-----|------|
| | | | HC | HCT | |
| t _{PHL} / t _{PLH} | propagation delay A _n to Y _n | C _L = 15 pF; V _{CC} = 5 V | 10 | 12 | ns |
| C _I | input capacitance | | 3.5 | 3.5 | pF |
| C _{PD} | power dissipation capacitance per buffer | notes 1 and 2 | 37 | 39 | pF |

Notes

1. C_{PD} is used to determine the dynamic power dissipation (P_D in μW):

$$P_D = C_{PD} \times V_{CC}^2 \times f_i + \sum (C_L \times V_{CC}^2 \times f_o) \text{ where:}$$

f_i = input frequency in MHz

f_o = output frequency in MHz

∑ (C_L × V_{CC}² × f_o) = sum of outputs

C_L = output load capacitance in pF

V_{CC} = supply voltage in V

2. For HC the condition is V_I = GND to V_{CC}
For HCT the condition is V_I = GND to V_{CC} – 1.5 V

ORDERING INFORMATION

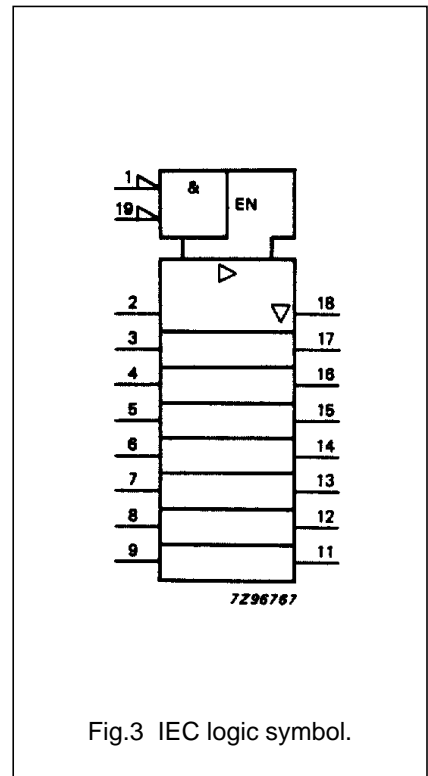
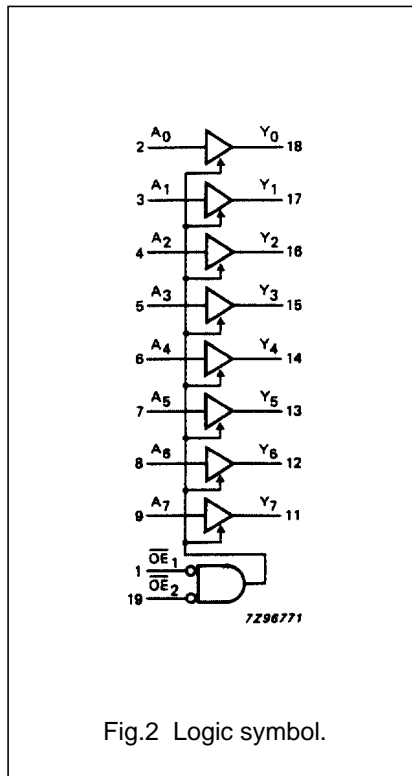
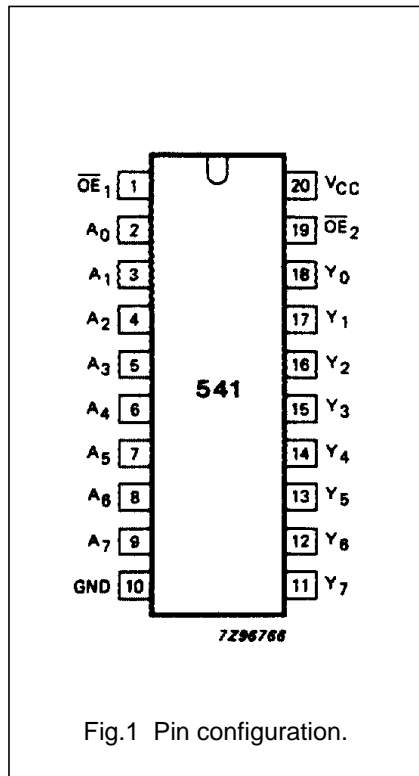
See "74HC/HCT/HCU/HCMOS Logic Package Information".

Octal buffer/line driver; 3-state

74HC/HCT541

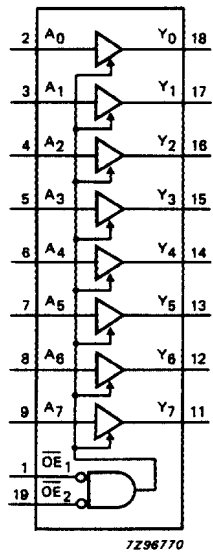
PIN DESCRIPTION

| PIN NO. | SYMBOL | NAME AND FUNCTION |
|--------------------------------|------------------------------------|----------------------------------|
| 1, 19 | $\overline{OE}_1, \overline{OE}_2$ | output enable input (active LOW) |
| 2, 3, 4, 5, 6, 7, 8, 9 | A ₀ to A ₇ | data inputs |
| 10 | GND | ground (0 V) |
| 18, 17, 16, 15, 14, 13, 12, 11 | Y ₀ to Y ₇ | bus outputs |
| 20 | V _{CC} | positive supply voltage |



Octal buffer/line driver; 3-state

74HC/HCT541



7296770

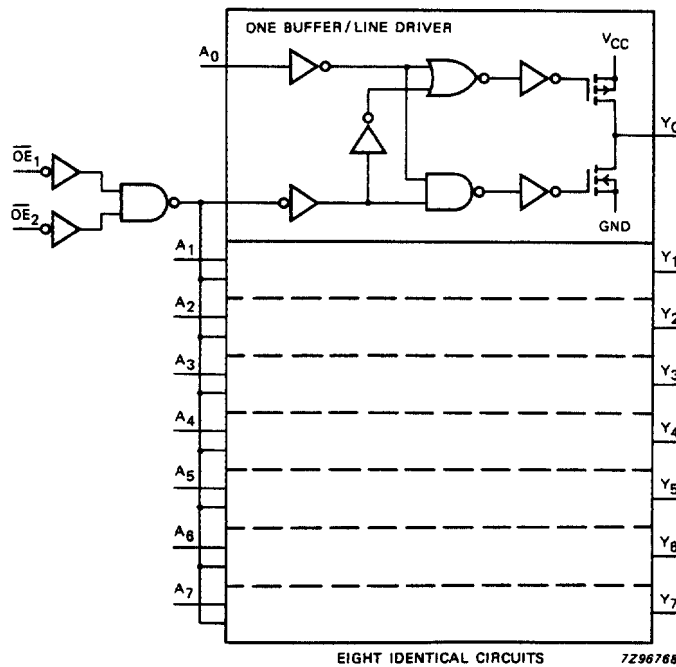
Fig.4 Functional diagram.

FUNCTION TABLE

| INPUTS | | | OUTPUT |
|-------------------|-------------------|-------|--------|
| \overline{OE}_1 | \overline{OE}_2 | A_n | Y_n |
| L | L | L | L |
| L | L | H | H |
| X | H | X | Z |
| H | X | X | Z |

Notes

- H = HIGH voltage level
L = LOW voltage level
X = don't care
Z = high impedance OFF-state



EIGHT IDENTICAL CIRCUITS 7296768

Fig.5 Logic diagram.

Octal buffer/line driver; 3-state

74HC/HCT541

DC CHARACTERISTICS FOR 74HC

For the DC characteristics see *"74HC/HCT/HCU/HCMOS Logic Family Specifications"*.

Output capability: bus driver

I_{CC} category: MSI

AC CHARACTERISTICS FOR 74HC

GND = 0 V; t_r = t_f = 6 ns; C_L = 50 pF

| SYMBOL | PARAMETER | T _{amb} (°C) | | | | | | UNIT | TEST CONDITIONS | | |
|-------------------------------------|--|-----------------------|----------------|-----------------|------------|-----------------|-------------|-----------------|------------------------|-------------------|-------|
| | | 74HC | | | | | | | V _{CC} (V) | WAVEFORMS | |
| | | +25 | | | -40 to +85 | | -40 to +125 | | | | |
| | | min. | typ. | max. | min. | max. | min. | | | | max. |
| t _{PHL} / t _{PLH} | propagation delay A _n to Y _n | | 33 12 10 | 115 23 20 | | 145 29 25 | | 175 35 30 | ns | 2.0 4.5 6.0 | Fig.6 |
| t _{PZH} / t _{PZL} | 3-state output enable time OE to Y _n | | 55 20 16 | 160 32 27 | | 200 40 34 | | 240 48 41 | ns | 2.0 4.5 6.0 | Fig.7 |
| t _{PHZ} / t _{PLZ} | 3-state output disable time OE to Y _n | | 61 22 18 | 160 32 27 | | 200 40 34 | | 240 48 41 | ns | 2.0 4.5 6.0 | Fig.7 |
| t _{THL} / t _{TLH} | output transition time | | 14 5 4 | 60 12 10 | | 75 15 13 | | 90 18 15 | ns | 2.0 4.5 6.0 | Fig.6 |

Octal buffer/line driver; 3-state

74HC/HCT541

DC CHARACTERISTICS FOR 74HCT

For the DC characteristics see *"74HC/HCT/HCU/HCMOS Logic Family Specifications"*.

Output capability: bus driver

I_{CC} category: MSI

Note to HCT types

The value of additional quiescent supply current (ΔI_{CC}) for a unit load of 1 is given in the family specifications.

To determine ΔI_{CC} per input, multiply this value by the unit load coefficient shown in the table below.

| INPUT | UNIT LOAD COEFFICIENT |
|-------------------|-----------------------|
| \overline{OE}_1 | 1.50 |
| \overline{OE}_2 | 1.00 |
| A_n | 0.70 |

AC CHARACTERISTICS FOR 74HCT

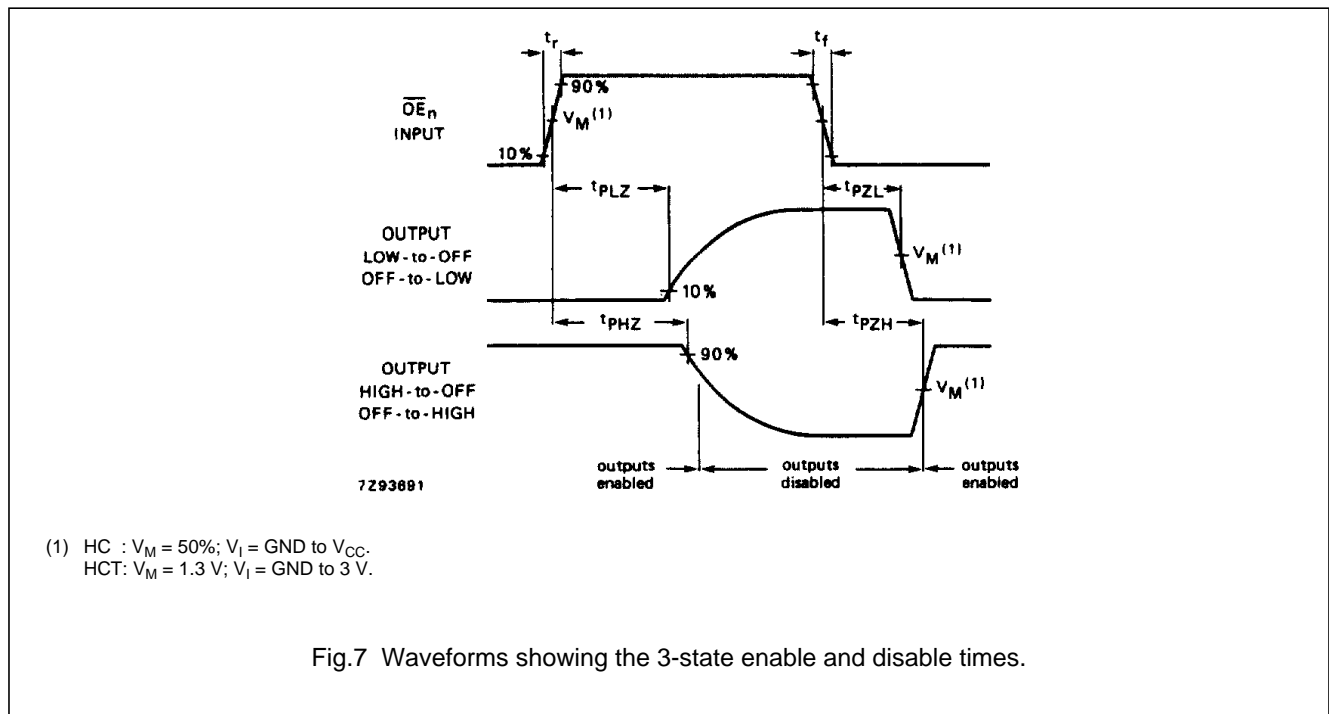
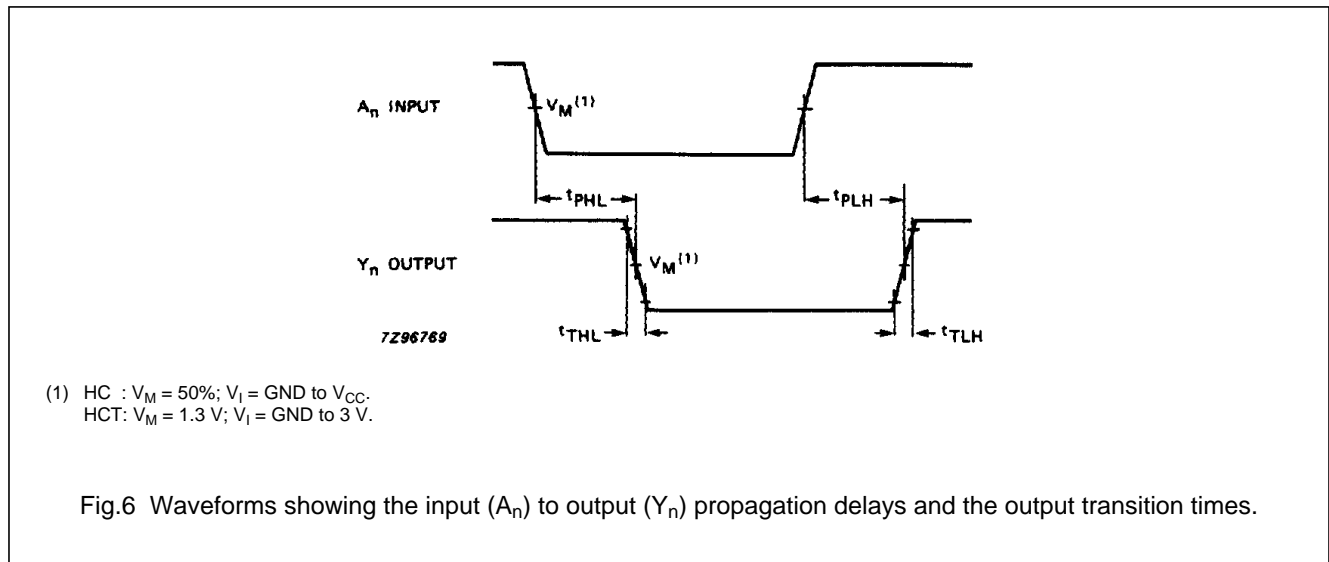
GND = 0 V; $t_r = t_f = 6$ ns; $C_L = 50$ pF

| SYMBOL | PARAMETER | T _{amb} (°C) | | | | | | | UNIT | TEST CONDITIONS | |
|-------------------------------------|--|-----------------------|------|------|------------|------|-------------|------|------|------------------------|-----------|
| | | 74HCT | | | | | | | | V _{CC} (V) | WAVEFORMS |
| | | +25 | | | -40 to +85 | | -40 to +125 | | | | |
| | | min. | typ. | max. | min. | max. | min. | max. | | | |
| t _{PHL} / t _{PLH} | propagation delay A _n to Y _n | | 15 | 28 | | 35 | | 42 | ns | 4.5 | Fig.6 |
| t _{PZH} / t _{PZL} | 3-state output enable time \overline{OE} to Y _n | | 21 | 35 | | 44 | | 53 | ns | 4.5 | Fig.7 |
| t _{PHZ} / t _{PLZ} | 3-state output disable time \overline{OE} to Y _n | | 21 | 35 | | 44 | | 53 | ns | 4.5 | Fig.7 |
| t _{THL} / t _{TLH} | output transition time | | 5 | 12 | | 15 | | 18 | ns | 4.5 | Fig.6 |

Octal buffer/line driver; 3-state

74HC/HCT541

AC WAVEFORMS



PACKAGE OUTLINES

See "74HC/HCT/HCU/HCMOS Logic Package Outlines".