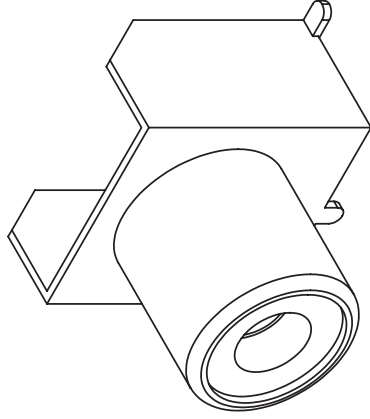
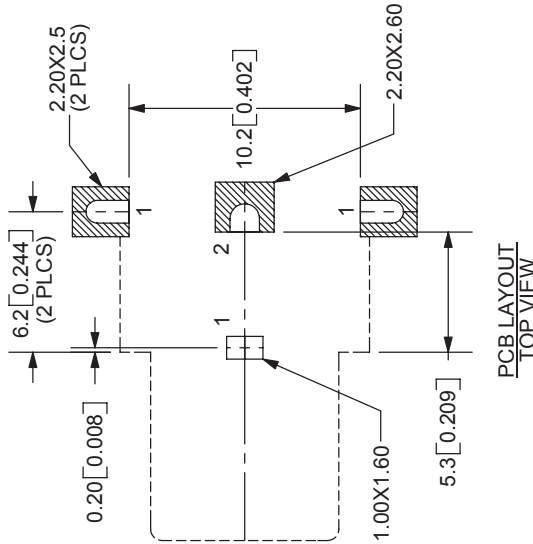
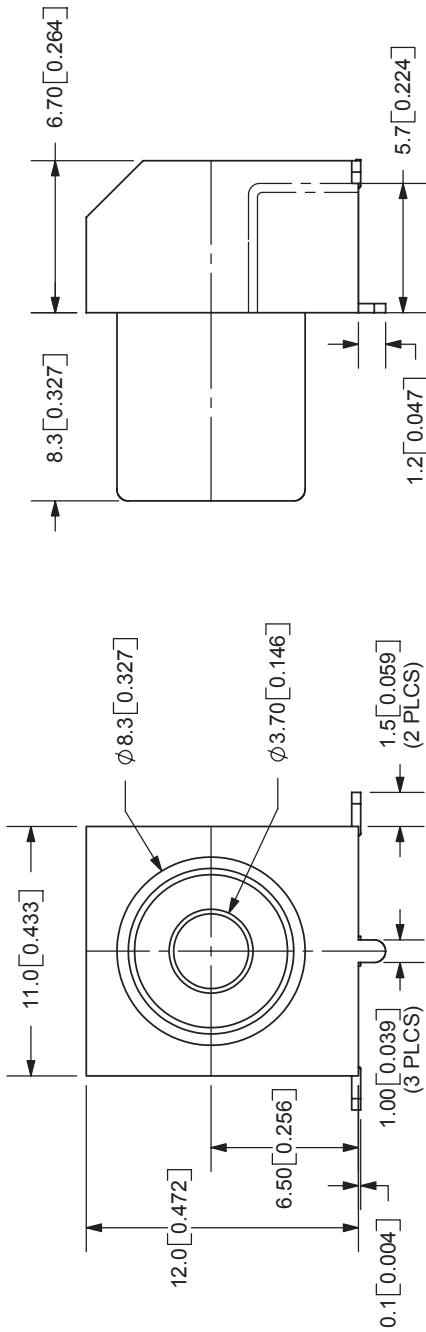


REV.	DESCRIPTION	DATE
A	NEW DRAWING	3/2/2006



TOLERANCE:  
X.X ±0.2mm  
X.XX ±0.1mm  
X.XXX ±0.05mm



9615 SW Allen Blvd., Ste. 103  
Beaverton, OR 97005  
Phone: 503-643-4899  
800-275-4899  
Fax: 503-372-1266  
Website: www.cui.com

MODEL NO.	RCJ-01X-SMT
SCHEMATIC	

COLOR INDEX	
PART NO.	COLOR
RCJ-011-SMT	Black
RCJ-012-SMT	Red
RCJ-013-SMT	White
RCJ-014-SMT	Yellow
RCJ-017-SMT	Orange

TITLE:	SMD RCA SOCKET	REV:	A
PART NO.	RCJ-01X-SMT	UNITS:	MM [INCHES]
DRAWN BY:	ZRJ	APPROVED BY:	
		SCALE:	3:1

MATERIAL	PLATING
Brass	Tin
C.R. Steel	Tin
Brass	Tin
PA66	

SPECIFICATIONS:  
CONTACT RESISTANCE: 25m OHMS MAX  
INSULATION RESISTANCE: 100M OHMS MIN; 500V DC  
VOLTAGE WITHSTAND: 500V AC R.M.S. FOR 1 MINUTE  
LIFE: 5,000 CYCLES  
OPERATING TEMP: -25° ~ +85°C

PC FILE NAME: RCJ-01X-SMT

COPYRIGHT 2006 BY CUI INC.