

131072-word × 8-bit High Speed CMOS Static RAM

Description

The CXK581000ATM/AYM/AM/AP is a high speed CMOS static RAM organized as 131072-words by 8 bits.

A polysilicon TFT cell technology realized extremely low stand-by current and higher data retention stability.

Special feature are low power consumption, high speed and broad package line-up.

The CXK581000ATM/AYM/AM/AP ia a suitable RAM for portable equipment with battery back up.

Features

- Fast access time:

CXK581000ATM/AYM/AM/AP	(Access time)
-55LL/55SL	55ns (Max.)
-70LL/70SL	70ns (Max.)
-10LL/10SL	100ns (Max.)
- Low standby current:

CXK581000ATM/AYM/AM/AP	
-55LL/70LL/10LL	20μA (Max.)
-55SL/70SL/10SL	12μA (Max.)
- Low data retention current

CXK581000ATM/AYM/AM/AP	
-55LL/70LL/10LL	12μA (Max.)
-55SL/70SL/10SL	4μA (Max.)
- Single +5V supply: +5V ±10%
- Low voltage data retention: 2.0V (Min.)
- Broad package line-up
- CXK581000ATM/AYM

	8mm × 20mm 32 pin TSOP package
--	--------------------------------
- CXK581000AM

	525mil 32 pin SOP package
--	---------------------------
- CXK581000AP

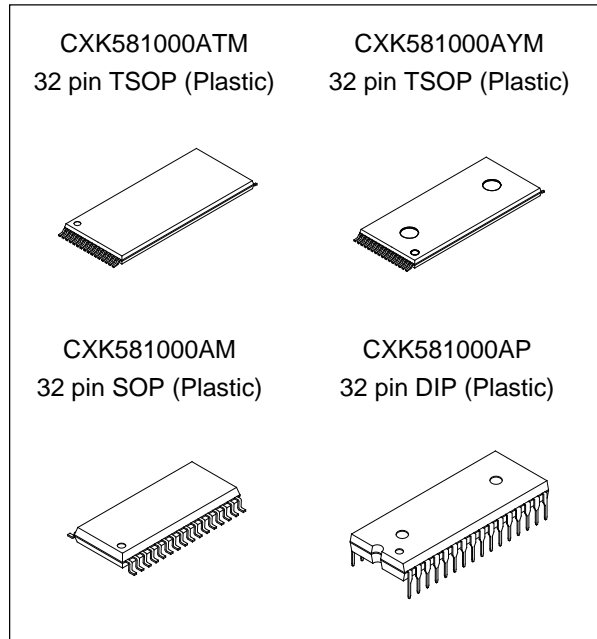
	600mil 32 pin DIP package
--	---------------------------

Functions

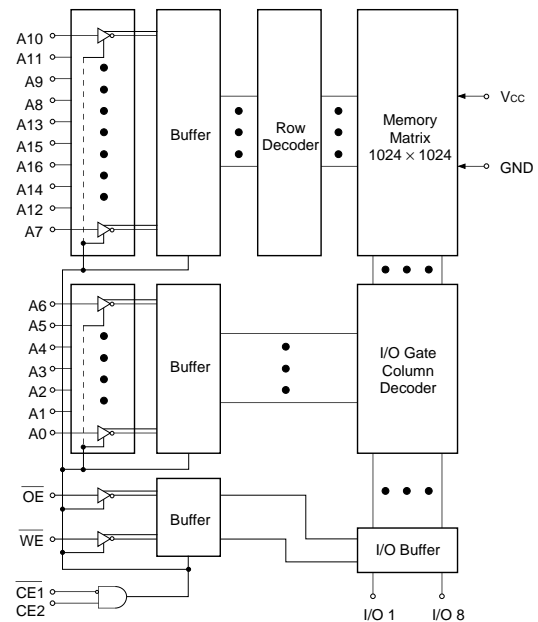
131072-word × 8-bit static RAM

Structure

Silicon gate CMOS IC

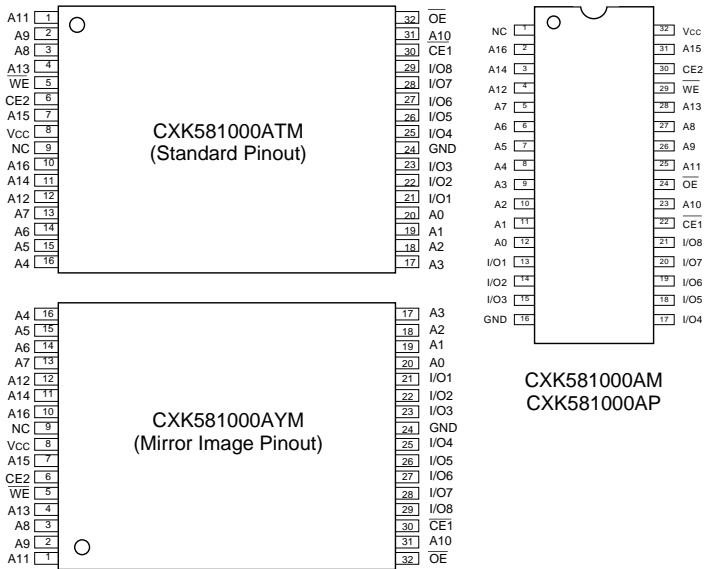


Block Diagram



Sony reserves the right to change products and specifications without prior notice. This information does not convey any license by any implication or otherwise under any patents or other right. Application circuits shown, if any, are typical examples illustrating the operation of the devices. Sony cannot assume responsibility for any problems arising out of the use of these circuits.

Pin Configuration (Top View)



Pin Description

Symbol	Description
A0 to A16	Address input
I/O1 to I/O8	Data input output
CE1, CE2	Chip enable 1, 2 input
\overline{WE}	Write enable input
\overline{OE}	Output enable input
Vcc	Power supply
GND	Ground
NC	No connection

Absolute Maximum Ratings

(Ta = 25°C, GND = 0V)

Item	Symbol	Rating	Unit	
Supply voltage	Vcc	-0.5 to +7.0	V	
Input voltage	V _{IN}	-0.5* to Vcc +0.5		
Input and output voltage	V _{I/O}	-0.5* to Vcc +0.5		
Allowable power dissipation	P _D	CXK581000AP	1.0	W
		CXK581000ATM/AYM/AM	0.7	
Operating temperature	T _{opr}	0 to +70	°C	
Storage temperature	T _{stg}	-55 to +150		
Soldering temperature	T _{solder}	CXK581000AP	260 • 10	°C • s
		CXK581000ATM/AYM/AM	235 • 10	

* V_{IN}, V_{I/O} = -3.0V Min. for pulse width less than 50ns.

Truth Table

CE1	CE2	\overline{OE}	\overline{WE}	Mode	I/O pin	Vcc Current
H	×	×	×	Not selected	High Z	I _{SB1} , I _{SB2}
×	L	×	×	Not selected	High Z	I _{SB1} , I _{SB2}
L	H	H	H	Output disable	High Z	I _{CC1} , I _{CC2} , I _{CC3}
L	H	L	H	Read	Data out	I _{CC1} , I _{CC2} , I _{CC3}
L	H	×	L	Write	Data in	I _{CC1} , I _{CC2} , I _{CC3}

×: "H" or "L"

DC Recommended Operating Conditions

(Ta = 0 to +70°C, GND = 0V)

Item	Symbol	Min.	Typ.	Max.	Unit
Supply voltage	Vcc	4.5	5.0	5.5	V
Input high voltage	V _{IH}	2.2	—	Vcc +0.3	
Input low voltage	V _{IL}	-0.3*	—	0.8	

* V_{IL} = -3.0V Min. for pulse width less than 50ns.

Electrical Characteristics

• DC Characteristics

(V_{CC} = 5V ±10%, GND = 0V, Ta = 0 to = +70°C)

Item	Symbol	Test conditions		Min.	Typ.*1	Max.	Unit	
Input leakage current	I _{LI}	V _{IN} = GND to V _{CC}		-1	—	1	μA	
Output leakage current	I _{LO}	$\overline{CE1} = V_{IH}$ or $CE2 = V_{IL}$ or $\overline{OE} = V_{IH}$ or $\overline{WE} = V_{IL}$, V _{I/O} = GND to V _{CC}		-1	—	1		
Operating power supply current	I _{CC1}	$\overline{CE1} = V_{IL}$, CE2 = V _{IH} V _{IN} = V _{IH} or V _{IL} I _{OUT} = 0mA		—	7	15	mA	
Average operating current	I _{CC2}	Min. cycle Duty = 100% I _{OUT} = 0mA	55LL/55SL	—	45	90		
			70LL/70SL	—	40	70		
			10LL/10SL	—	35	60		
	I _{CC3}	Cycle time 1μs duty = 100% I _{OUT} = 0mA CE1 ≤ 0.2V CE2 ≥ V _{CC} - 0.2V V _{IL} ≤ 0.2V V _{IH} ≥ V _{CC} - 0.2V		—	10	20		
Standby current	I _{SB1}	CE2 ≤ 0.2V or $\overline{CE1} \geq V_{CC} - 0.2V$ $\overline{CE2} \geq V_{CC} - 0.2V$	LL*2	0 to +70°C	—	—	20	μA
				0 to +40°C	—	—	4	
				+25°C	—	0.7	2	
			SL*3	0 to +70°C	—	—	12	
				0 to +40°C	—	—	2.4	
		I _{SB2}	$\overline{CE1} = V_{IH}$ or CE2 = V _{IL}		—	0.6	3	mA
Output high voltage	V _{OH}	I _{OH} = -1.0mA		2.4	—	—	V	
Output low voltage	V _{OL}	I _{OL} = 2.1mA		—	—	0.4		

*1 V_{CC} = 5V, Ta = 25°C

*2 For -55LL/70LL/10LL

*3 For -55SL/70SL/10SL

I/O Capacitance

(Ta = 25°C, f = 1MHz)

Item	Symbol	Test conditions	Min.	Typ.	Max.	Unit
Input capacitance	C _{IN}	V _{IN} = 0V	—	—	7	pF
I/O capacitance	C _{I/O}	V _{I/O} = 0V	—	—	8	

Note) This parameter is sampled and is not 100% tested.

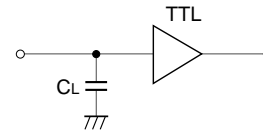
AC Characteristics

• **AC test conditions**

(V_{CC} = 5V±10%, Ta = 0 to +70°C)

Item	Conditions
Input pulse high level	V _{IH} = 2.2V
Input pulse low level	V _{IL} = 0.8V
input rise time	t _r = 5ns
input fall time	t _f = 5ns
Input and output reference level	1.5V
Output load conditions	-55LL/55SL
	-70LL/70SL
	-10LL/10SL

• **Test circuit**



* C_L includes scope and jig capacitances.

• Read cycle ($\overline{WE} = "H"$)

Item	Symbol	-55LL/55SL		-70LL/70SL		-10LL/10SL		Unit
		Min.	Max.	Min.	Max.	Min.	Max.	
Read cycle time	t_{RC}	55	—	70	—	100	—	ns
Address access time	t_{AA}	—	55	—	70	—	100	
Chip enable access time ($\overline{CE1}$)	t_{CO1}	—	55	—	70	—	100	
Chip enable access time (CE2)	t_{CO2}	—	55	—	70	—	100	
Output enable to output valid	t_{OE}	—	30	—	40	—	50	
Output hold from address change	t_{OH}	15	—	15	—	15	—	
Chip enable to output in low Z ($\overline{CE1}$, CE2)	t_{LZ1} , t_{LZ2}	10	—	10	—	10	—	
Output enable to output in low Z (\overline{OE})	t_{OLZ}	5	—	5	—	5	—	
Chip disable to output in high Z (CE1, CE2)	t_{HZ1} , t_{HZ2}^*	—	25	—	25	—	35	
Output disable to output in high Z (\overline{OE})	t_{OHZ}^*	—	25	—	25	—	35	

* t_{HZ1} , t_{HZ2} and t_{OHZ} are defined as the time required for outputs to turn to high impedance state and are not referred to as output voltage levels.

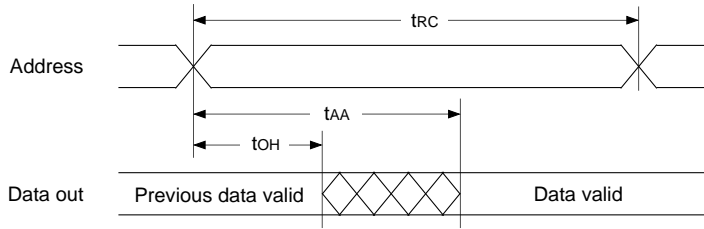
• Write cycle

Item	Symbol	-55LL/55SL		-70LL/70SL		-10LL/10SL		Unit
		Min.	Max.	Min.	Max.	Min.	Max.	
Write cycle time	t_{WC}	55	—	70	—	100	—	ns
Address valid to end of write	t_{AW}	50	—	60	—	70	—	
Chip enable to end of write	t_{CW}	50	—	60	—	70	—	
Data to write time overlap	t_{DW}	25	—	30	—	40	—	
Data hold from write time	t_{DH}	0	—	0	—	0	—	
Write pulse width	t_{WP}	40	—	50	—	70	—	
Address setup time	t_{AS}	0	—	0	—	0	—	
Write recovery time (\overline{WE})	t_{WR}	0	—	0	—	0	—	
Write recovery time ($\overline{CE1}$, CE2)	t_{WR1}	0	—	0	—	0	—	
Output active from end of write	t_{OW}	10	—	10	—	10	—	
Write to output in high Z	t_{WHZ}^*	—	25	—	25	—	30	

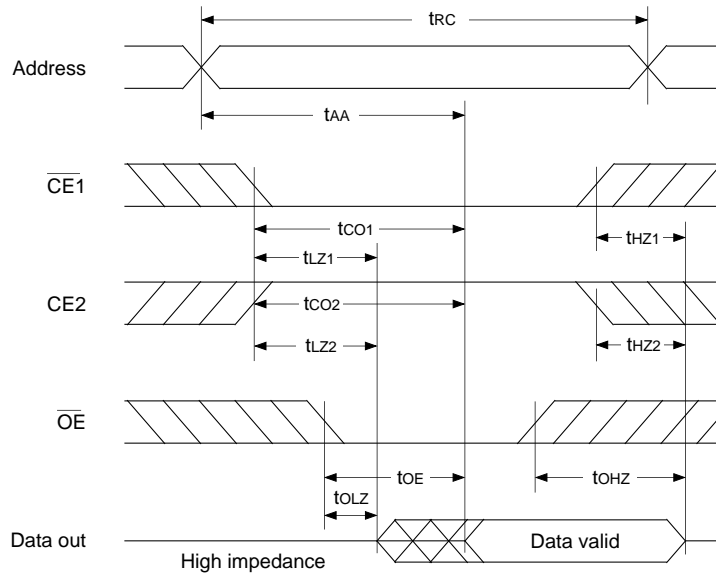
* t_{WHZ} is defined as the time required for outputs to turn to high impedance state and is not referred to as output voltage level.

Timing Waveform

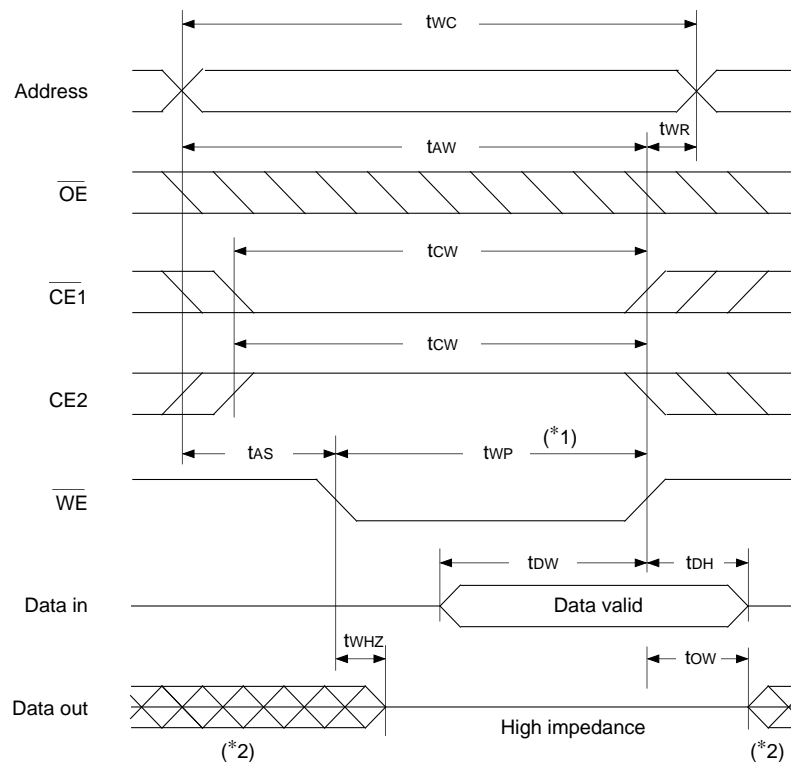
- Read cycle (1) : $\overline{CE1} = \overline{OE} = V_{IL}, CE2 = V_{IH}, \overline{WE} = V_{IH}$



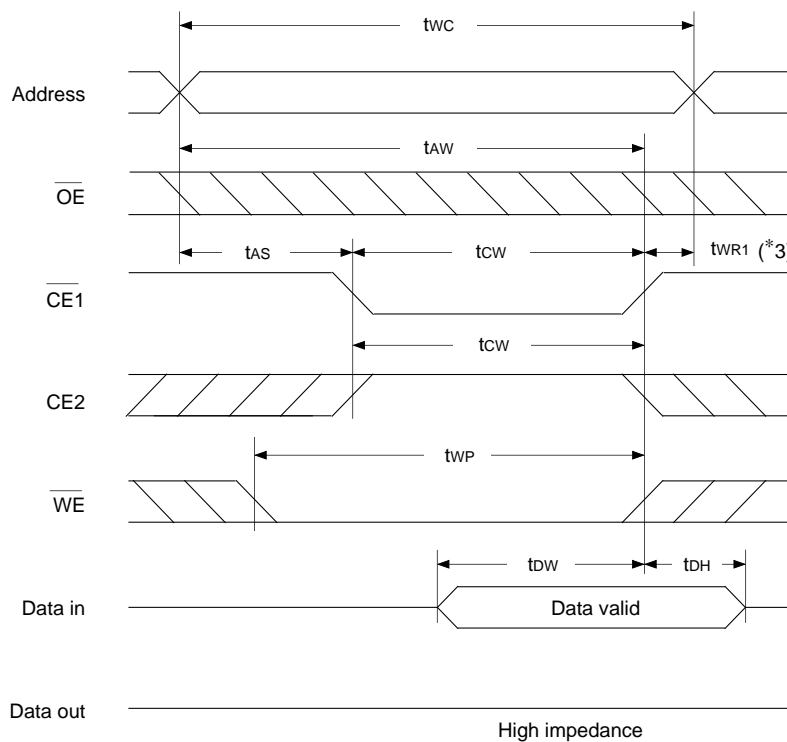
- Read cycle (2) : $\overline{WE} = V_{IH}$



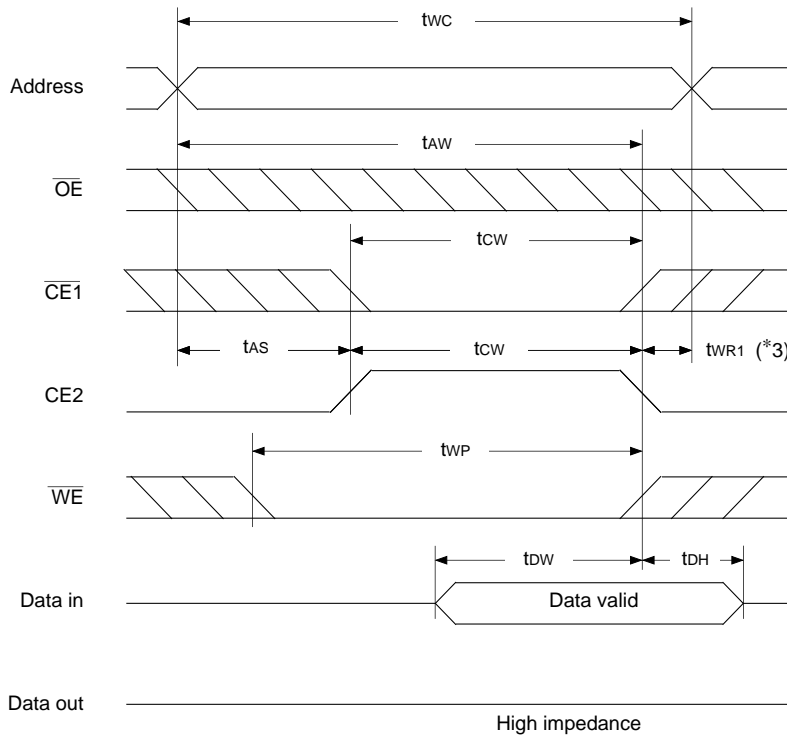
- Write cycle (1) : \overline{WE} control



• Write cycle (2) : $\overline{CE1}$ control



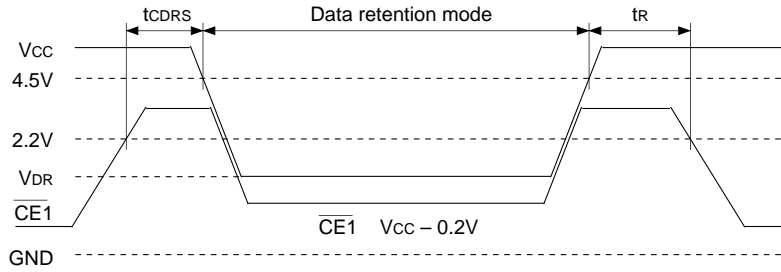
• Write cycle (3) : $\overline{CE2}$ control



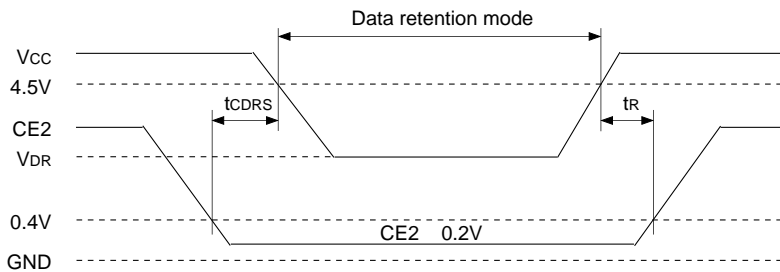
*1 Write is executed when both $\overline{CE1}$ and \overline{WE} are at low and $\overline{CE2}$ is at high simultaneously.
 *2 Do not apply the data input voltage of the opposite phase to the output while the I/O pin is in output condition.
 *3 t_{WR1} is tested from either the rising edge of $\overline{CE1}$ or the falling edge of $\overline{CE2}$, whichever comes earlier, until the end of the write cycle.

Data Retention Waveform

- Low supply voltage data retention waveform (1) : $\overline{CE1}$ control



- Low supply voltage data retention waveform (2) : CE2 control



Data Retention Characteristics

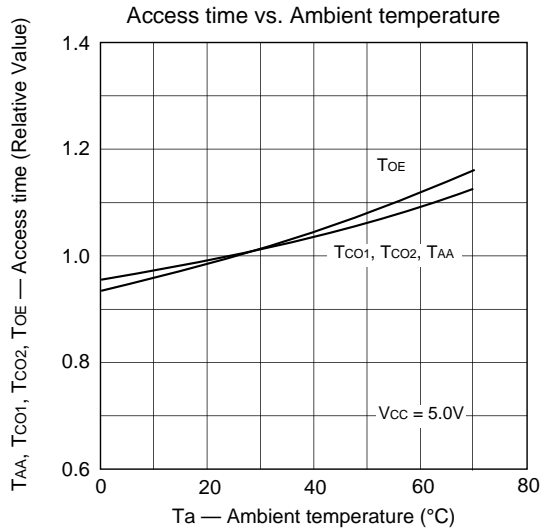
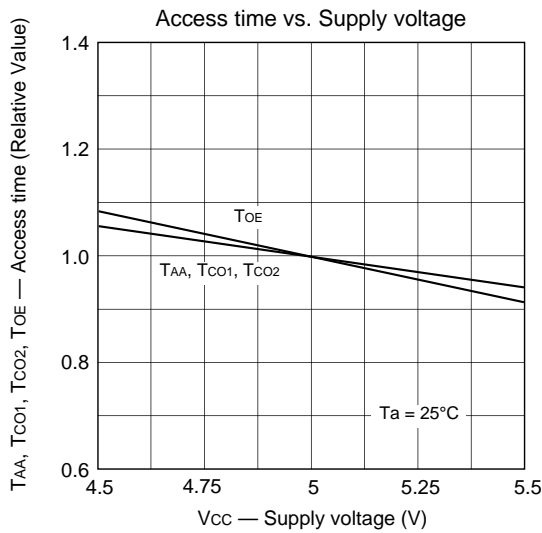
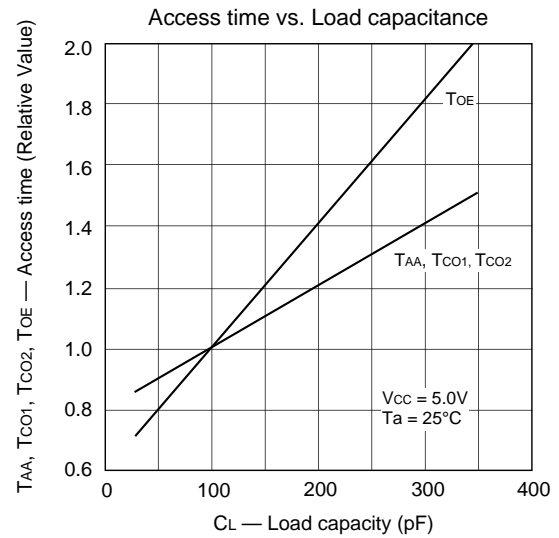
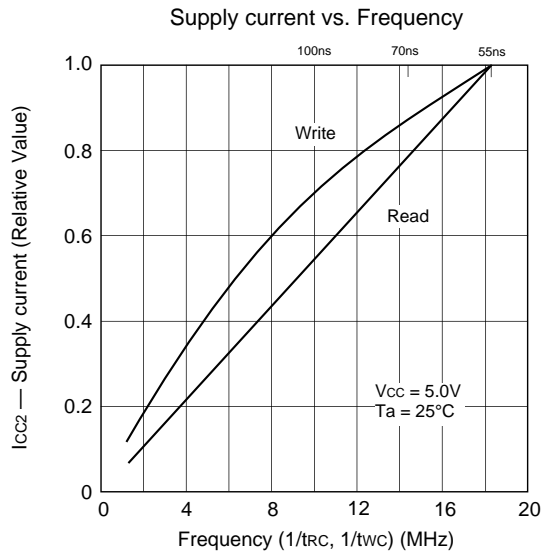
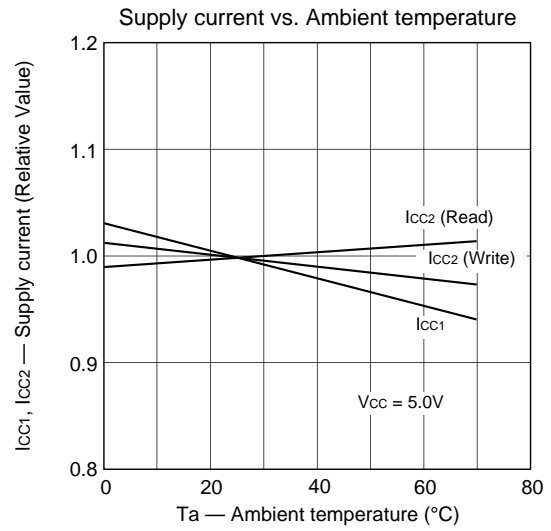
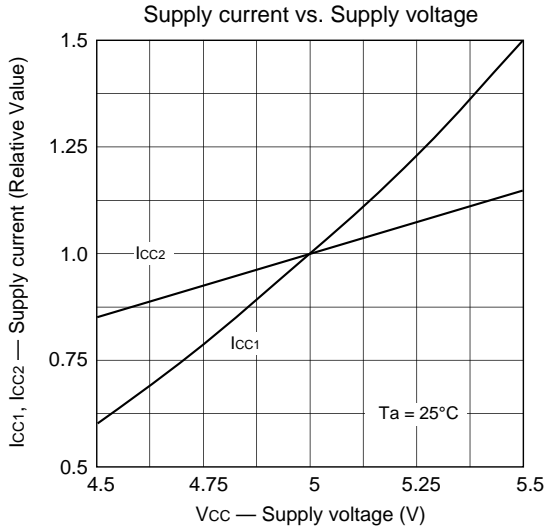
(Ta = 0 to +70°C)

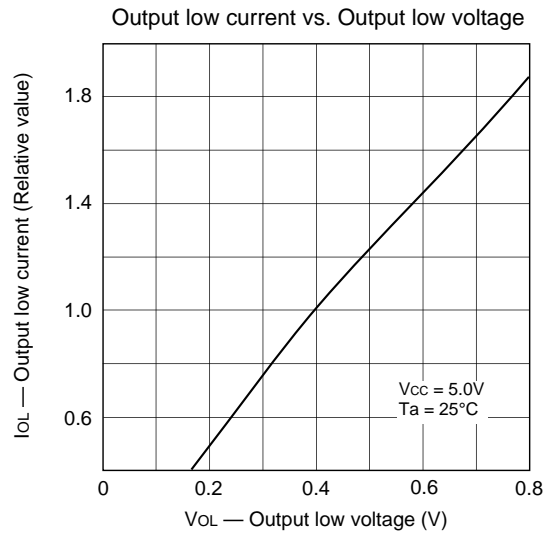
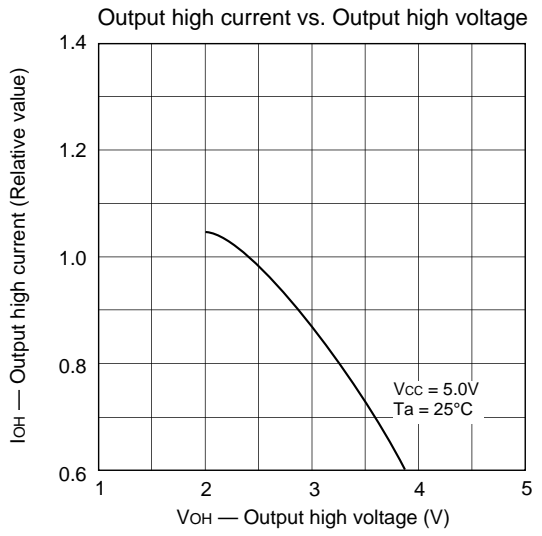
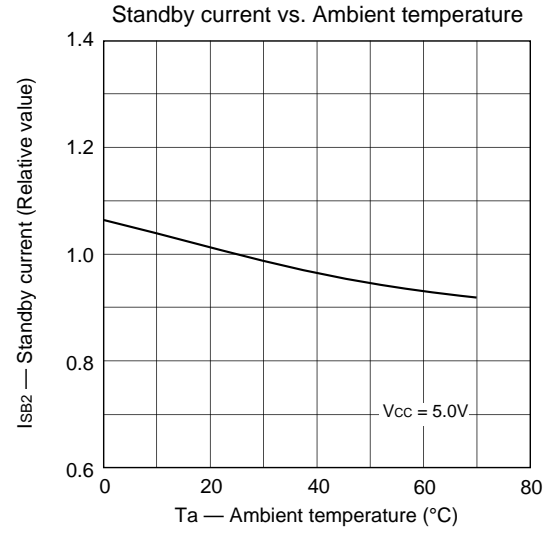
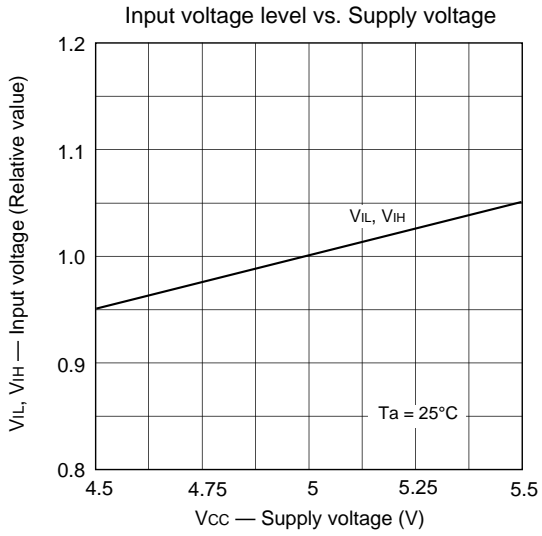
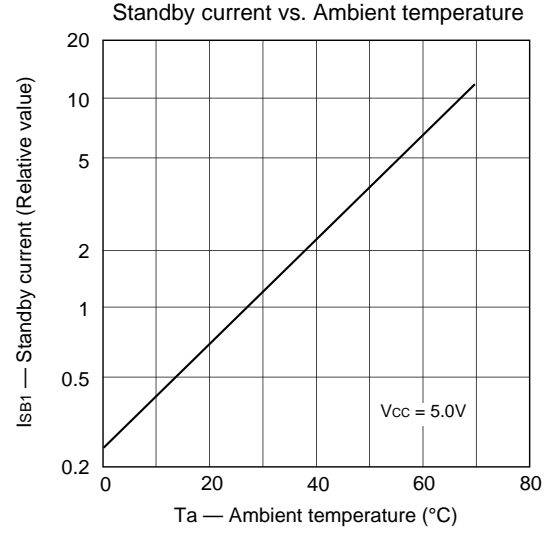
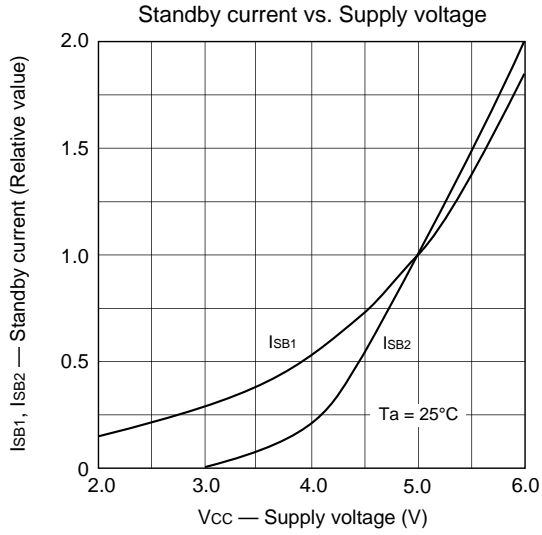
Item	Symbol	Test conditions	Min.	Typ.	Max.	Unit	
Data retention voltage	V _{DR}	*1	2.0	—	5.5	V	
Data retention current	I _{CCDR1}	V _{CC} = 3.0V*1	LL*2	0 to +70°C	—	12	μA
				0 to +40°C	—	2.4	
				+25°C	—	0.4	
	I _{CCDR2}	V _{CC} = 2.0V to 5.5V*1	SL*3	0 to +70°C	—	4	
				0 to +40°C	—	0.8	
				+25°C	—	0.15	
Data retention setup time	t _{CDRS}	Chip disable to data retention mode	0	—	—	ns	
Recovery time	t _R		5	—	—	ms	

Note)

- *1 $\overline{CE1} \geq V_{CC} - 0.2V$, $CE2 \geq V_{CC} - 0.2V$ [$\overline{CE1}$ Control] or $CE2 \leq 0.2V$ [CE2 Control]
- *2 For -55LL/70LL/10LL
- *3 For -55SL/70SL/10SL

Example of Representative Characteristics

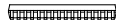
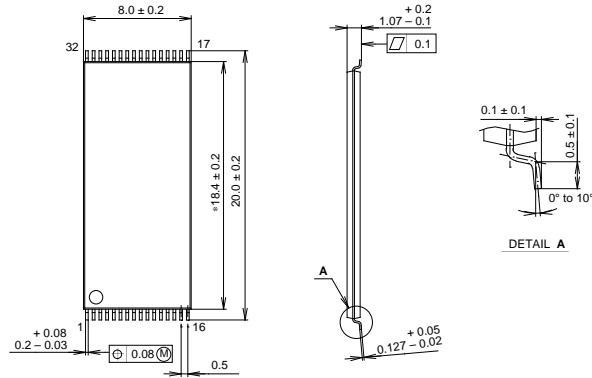




Package Outline Unit: mm

CXK581000ATM

32PIN TSOP (I) (PLASTIC)



NOTE: Dimension "*" does not include mold protrusion.

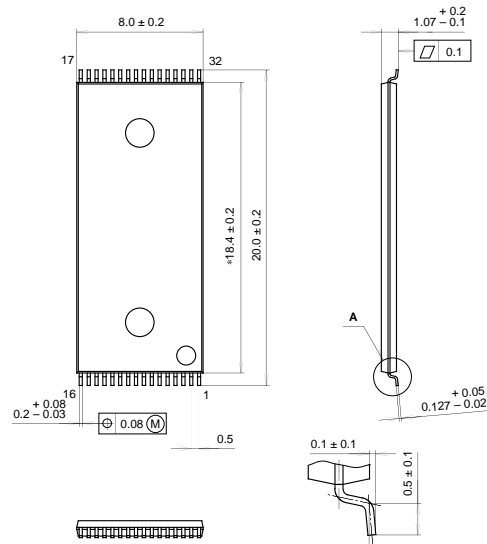
PACKAGE STRUCTURE

SONY CODE	TSOP (I) -32P-L01
EIAJ CODE	TSOP (I) 032-P-0820-A
JEDEC CODE	

PACKAGE MATERIAL	EPOXY / PHENOL RESIN
LEAD TREATMENT	SOLDER PLATING
LEAD MATERIAL	42 ALLOY
PACKAGE WEIGHT	

CXK581000AYM

32PIN TSOP (PLASTIC)



NOTE: Dimension "*" does not include mold protrusion.

DETAIL A

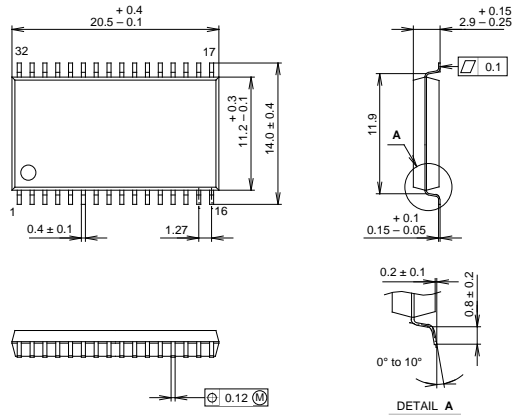
PACKAGE STRUCTURE

SONY CODE	TSOP-32P-L01R
EIAJ CODE	TSOP032-P-0820-B
JEDEC CODE	

PACKAGE MATERIAL	EPOXY RESIN
LEAD TREATMENT	SOLDER PLATING
LEAD MATERIAL	42 ALLOY
PACKAGE WEIGHT	0.3g

CXK581000AM

32PIN SOP (PLASTIC) 525mil



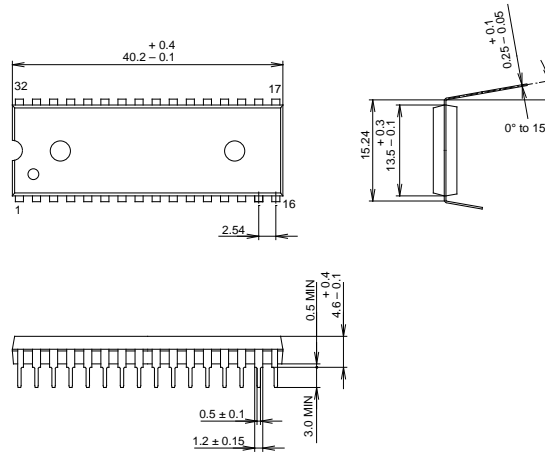
PACKAGE STRUCTURE

SONY CODE	SOP-32P-L02
EIAJ CODE	+SOP32-P-0525-A
JEDEC CODE	

PACKAGE MATERIAL	EPOXY / PHENOL RESIN
LEAD TREATMENT	SOLDER PLATING
LEAD MATERIAL	42 ALLOY
PACKAGE WEIGHT	

CXK581000AP

32PIN DIP (PLASTIC) 600mil



PACKAGE STRUCTURE

SONY CODE	DIP-32P-01
EIAJ CODE	+DIP32-P-0600-A
JEDEC CODE	

PACKAGE MATERIAL	EPOXY / PHENOL RESIN
LEAD TREATMENT	SOLDER PLATING
LEAD MATERIAL	42 ALLOY
PACKAGE WEIGHT	4.5g