

Advance Information

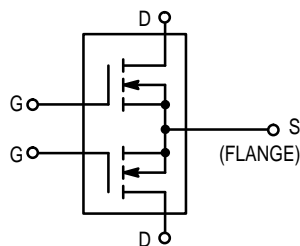
The RF MOSFET Line

RF POWER

Field-Effect Transistor

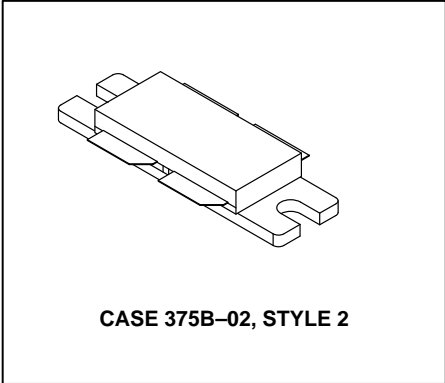
N-Channel Enhancement-Mode Lateral MOSFET

- High Gain, Rugged Device
- Broadband Performance from HF to 1 GHz
- Bottom Side Source Eliminates DC Isolators, Reducing Common Mode Inductances



MRF185

**85 WATTS, 1.0 GHz
28 VOLTS
LATERAL N-CHANNEL
BROADBAND
RF POWER MOSFET**



MAXIMUM RATINGS

Rating	Symbol	Value	Unit
Drain-Source Voltage	V_{DSS}	65	Vdc
Gate-Source Voltage	V_{GS}	± 20	Vdc
Storage Temperature Range	T_{stg}	- 65 to +150	$^{\circ}C$
Operating Junction Temperature	T_J	200	$^{\circ}C$
Total Device Dissipation @ $T_C = 25^{\circ}C$ Derate above $25^{\circ}C$	P_D	250 1.45	Watts W/ $^{\circ}C$

THERMAL CHARACTERISTICS

Characteristic	Symbol	Max	Unit
Thermal Resistance, Junction to Case	$R_{\theta JC}$	0.7	$^{\circ}C/W$

ELECTRICAL CHARACTERISTICS ($T_C = 25^{\circ}C$ unless otherwise noted)

Characteristic	Symbol	Min	Typ	Max	Unit
----------------	--------	-----	-----	-----	------

OFF CHARACTERISTICS

Drain-Source Breakdown Voltage ($V_{GS} = 0 V, I_D = 1 \mu A_{dc}$)	$V_{(BR)DSS}$	65	-	-	Vdc
Zero Gate Voltage Drain Current ($V_{DS} = 28 V, V_{GS} = 0 V$)	I_{DSS}	-	-	1	μA_{dc}
Gate-Source Leakage Current ($V_{GS} = 20 V, V_{DS} = 0 V$)	I_{GSS}	-	-	1	μA_{dc}

NOTE - CAUTION - MOS devices are susceptible to damage from electrostatic charge. Reasonable precautions in handling and packaging MOS devices should be observed.

ELECTRICAL CHARACTERISTICS – continued ($T_C = 25^\circ\text{C}$ unless otherwise noted)

Characteristic	Symbol	Min	Typ	Max	Unit
----------------	--------	-----	-----	-----	------

ON CHARACTERISTICS

Gate Quiescent Voltage ($V_{DS} = 26\text{ V}$, $I_D = 300\text{ mA}$ per side)	$V_{GS(Q)}$	3	4	5	Vdc
Delta Quiescent Voltage between sides ($V_{DS} = 26\text{ V}$, $I_D = 300\text{ mA}$ per side)	$\Delta V_{GS(Q)}$	–	0.15	0.3	Vdc
Drain–Source On–Voltage ($V_{GS} = 10\text{ V}$, $I_D = 3\text{ A}$ per side)	$V_{DS(on)}$	–	0.75	1	Vdc
Forward Transconductance ($V_{DS} = 10\text{ V}$, $I_D = 3\text{ A}$ per side)	g_{fs}	1.6	2	–	s

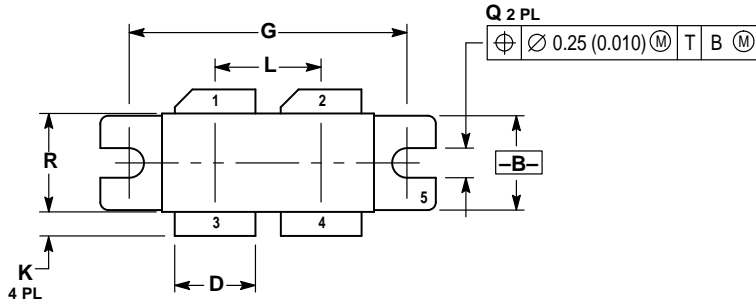
DYNAMIC CHARACTERISTICS

Output Capacitance ($V_{DS} = 28\text{ V}$, $V_{GS} = 0\text{ V}$, $f = 1\text{ MHz}$)	C_{oss}	–	38	–	pF
Reverse Transfer Capacitance ($V_{DS} = 28\text{ V}$, $V_{GS} = 0\text{ V}$, $f = 1\text{ MHz}$)	C_{rss}	–	4.6	6	pF

FUNCTIONAL CHARACTERISTICS

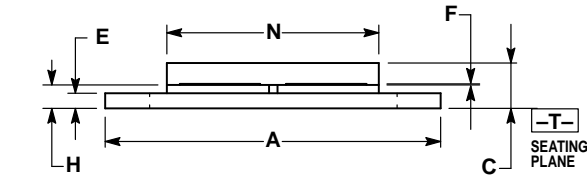
Common Source Power Gain ($V_{DD} = 28\text{ V}$, $P_{out} = 85\text{ W}$, $f = 960\text{ MHz}$, $I_{DQ} = 600\text{ mA}$)	G_{ps}	11	14	–	dB
Drain Efficiency ($V_{DD} = 28\text{ V}$, $P_{out} = 85\text{ W}$, $f = 960\text{ MHz}$, $I_{DQ} = 600\text{ mA}$)	η	45	55	–	%
Load Mismatch ($V_{DD} = 28\text{ Vdc}$, $P_{out} = 85\text{ W}$, $f = 960\text{ MHz}$, $I_{DQ} = 600\text{ mA}$, Load VSWR 5:1 at All Phase Angles)	Ψ	No Degradation in Output Power			

PACKAGE DIMENSIONS




- NOTES:
 1. DIMENSIONING AND TOLERANCING PER ANSI Y14.5M, 1982.
 2. CONTROLLING DIMENSION: INCH.

DIM	INCHES		MILLIMETERS	
	MIN	MAX	MIN	MAX
A	1.330	1.350	33.79	34.29
B	0.375	0.395	9.52	10.03
C	0.180	0.210	4.57	5.33
D	0.320	0.340	8.13	8.64
E	0.060	0.070	1.52	1.77
F	0.004	0.006	0.11	0.15
G	1.100 BSC		27.94 BSC	
H	0.093	0.108	2.36	2.74
K	0.085	0.115	2.16	2.92
L	0.425 BSC		10.80 BSC	
N	0.845	0.875	21.46	22.23
Q	0.118	0.130	3.00	3.30
R	0.390	0.410	9.91	10.41



- STYLE 2:
 PIN 1. DRAIN
 2. DRAIN
 3. GATE
 4. GATE
 5. SOURCE

**CASE 375B-02
 ISSUE A**

Motorola reserves the right to make changes without further notice to any products herein. Motorola makes no warranty, representation or guarantee regarding the suitability of its products for any particular purpose, nor does Motorola assume any liability arising out of the application or use of any product or circuit, and specifically disclaims any and all liability, including without limitation consequential or incidental damages. "Typical" parameters which may be provided in Motorola data sheets and/or specifications can and do vary in different applications and actual performance may vary over time. All operating parameters, including "Typicals" must be validated for each customer application by customer's technical experts. Motorola does not convey any license under its patent rights nor the rights of others. Motorola products are not designed, intended, or authorized for use as components in systems intended for surgical implant into the body, or other applications intended to support or sustain life, or for any other application in which the failure of the Motorola product could create a situation where personal injury or death may occur. Should Buyer purchase or use Motorola products for any such unintended or unauthorized application, Buyer shall indemnify and hold Motorola and its officers, employees, subsidiaries, affiliates, and distributors harmless against all claims, costs, damages, and expenses, and reasonable attorney fees arising out of, directly or indirectly, any claim of personal injury or death associated with such unintended or unauthorized use, even if such claim alleges that Motorola was negligent regarding the design or manufacture of the part. Motorola and  are registered trademarks of Motorola, Inc. Motorola, Inc. is an Equal Opportunity/Affirmative Action Employer.

Mfax is a trademark of Motorola, Inc.

How to reach us:

USA/EUROPE/Locations Not Listed: Motorola Literature Distribution;
P.O. Box 5405, Denver, Colorado 80217. 303-675-2140 or 1-800-441-2447

JAPAN: Nippon Motorola Ltd.: SPD, Strategic Planning Office, 4-32-1,
Nishi-Gotanda, Shinagawa-ku, Tokyo 141, Japan. 81-3-5487-8488

Mfax™: RMFAX0@email.sps.mot.com – TOUCHTONE 602-244-6609
– US & Canada ONLY 1-800-774-1848

ASIA/PACIFIC: Motorola Semiconductors H.K. Ltd.; 8B Tai Ping Industrial Park,
51 Ting Kok Road, Tai Po, N.T., Hong Kong. 852-26629298

INTERNET: <http://motorola.com/sps>



MRF185/D