



Micropower, Single-Supply, Rail-to-Rail Precision Differential Amplifiers

General Description

The MAX4198/MAX4199 low-power, Rail-to-Rail® differential amplifiers are ideal for single-supply applications that benefit from a low 0.01% gain error. The MAX4198 is factory trimmed to a fixed gain of +1V/V, and the MAX4199 is trimmed to a fixed gain of +10V/V. Capable of operating from a single +2.7V to +7.5V supply or from dual $\pm 1.35V$ to $\pm 3.75V$ supplies, they consume only 42 μA while achieving -3dB bandwidths of 175kHz (MAX4198) and 45kHz (MAX4199). These amplifiers feature a shutdown mode that reduces the supply current to 6.5 μA .

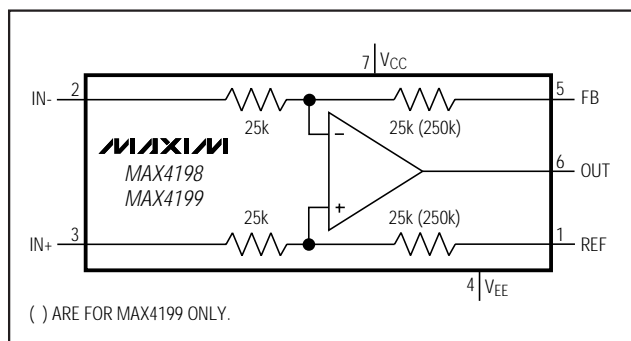
The MAX4198/MAX4199 can drive 5k Ω loads to within 100mV from each rail. The standard differential amplifier configurations provide common-mode rejection of 90dB for the MAX4198 and 110dB for the MAX4199. The input common-mode voltage range for the MAX4198 extends 100mV Beyond-the-Rails™.

The MAX4198/MAX4199 are offered in a space-saving 8-pin μ MAX package. For complete micropower, rail-to-rail instrumentation amplifiers, see the MAX4194–MAX4197 data sheet.

Applications

Instrumentation Amplifier Building Block
 Differential Voltage Amplifiers
 Data-Acquisition Systems
 Portable/Battery-Powered Equipment
 Transducer Interface
 Current-Sense Amplifiers

Functional Diagram



Rail-to-Rail is a registered trademark of Nippon Motorola, Ltd.
 Beyond-the-Rails is a trademark of Maxim Integrated Products.

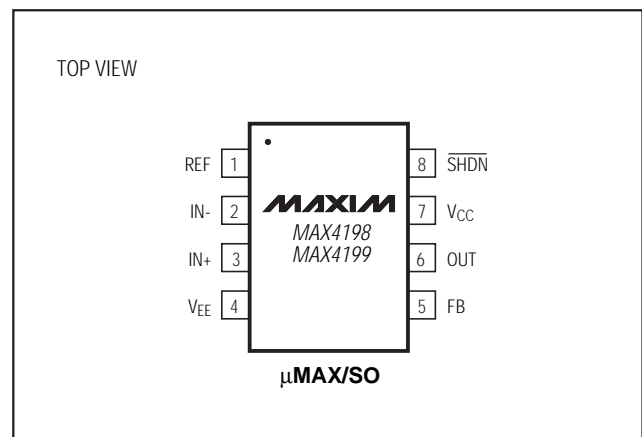
Features

- ◆ Low 0.01% Gain Error
- ◆ High Common-Mode Rejection: 110dB (MAX4199)
- ◆ 10 μV Input Offset Voltage (MAX4199)
30 μV Input Offset Voltage (MAX4198)
- ◆ +2.7V to +7.5V Single-Supply Operation
- ◆ 42 μA Supply Current
- ◆ 175kHz (MAX4198) and 45kHz (MAX4199)
-3dB Bandwidth
- ◆ 6.5 μA Shutdown Current
- ◆ Rail-to-Rail Outputs Drive 5k Ω Loads
- ◆ Input Voltage Range Extends 100mV Beyond-the-Rails (MAX4198)
- ◆ Available in Space-Saving 8-Pin μ MAX Package

Ordering Information

| PART | TEMP. RANGE | PIN-PACKAGE | GAIN (V/V) |
|------------|----------------|-------------|------------|
| MAX4198EUA | -40°C to +85°C | 8 μ MAX | 1 |
| MAX4198ESA | -40°C to +85°C | 8 SO | 1 |
| MAX4199EUA | -40°C to +85°C | 8 μ MAX | 10 |
| MAX4199ESA | -40°C to +85°C | 8 SO | 10 |

Pin Configuration



Maxim Integrated Products 1

For free samples & the latest literature: <http://www.maxim-ic.com>, or phone 1-800-998-8800.
 For small orders, phone 408-737-7600 ext. 3468.

MAX4198/MAX4199

Micropower, Single-Supply, Rail-to-Rail Precision Differential Amplifiers

ABSOLUTE MAXIMUM RATINGS

Supply Voltage (V_{CC} to V_{EE}).....+8V
 All Other Pins to GND($V_{EE} - 0.3V$) to ($V_{CC} + 0.3V$)
 Output Short Circuit Duration (to V_{CC} or V_{EE}).....Continuous
 Continuous Power Dissipation ($T_A = +70^\circ\text{C}$)
 SO (derate 9.09mW/ $^\circ\text{C}$ above $+70^\circ\text{C}$).....471mW
 μMAX (derate 4.1mW/ $^\circ\text{C}$ above $+70^\circ\text{C}$)330mW

Operating Temperature Range-40 $^\circ\text{C}$ to +85 $^\circ\text{C}$
 Junction Temperature+150 $^\circ\text{C}$
 Storage Temperature Range-65 $^\circ\text{C}$ to +150 $^\circ\text{C}$
 Lead Temperature (soldering, 10sec)+300 $^\circ\text{C}$

Stresses beyond those listed under "Absolute Maximum Ratings" may cause permanent damage to the device. These are stress ratings only, and functional operation of the device at these or any other conditions beyond those indicated in the operational sections of the specifications is not implied. Exposure to absolute maximum rating conditions for extended periods may affect device reliability.

ELECTRICAL CHARACTERISTICS—MAX4198 (+5V Supply)

($V_{CC} = +5V$, $V_{EE} = 0V$, $R_L = 25k\Omega$ tied to $V_{CC} / 2$, $V_{REF} = V_{CC} / 2$, $V_{SHDN} = V_{CC} - 1.5V$, typical values are at $T_A = +25^\circ\text{C}$, $T_A = T_{MIN}$ to T_{MAX} , unless otherwise noted.) (Note 1)

| PARAMETER | SYMBOL | CONDITIONS | MIN | TYP | MAX | UNITS |
|-------------------------------|------------|---|--|--------------------------------------|-----------------|------------------------------|
| Supply Voltage Range (Note 2) | V_{CC} | Single supply | 2.7 | | 7.5 | V |
| | | Dual supply | ± 1.35 | | ± 3.75 | |
| Input Offset Voltage | V_{OS} | $T_A = +25^\circ\text{C}$, $V_{CM} = V_{CC} / 2$ | MAX4198ESA | ± 30 | ± 500 | μV |
| | | | MAX4198EUA | ± 100 | ± 1000 | |
| | | $T_A = T_{MIN}$ to T_{MAX} , $V_{CM} = V_{CC} / 2$ | MAX4198ESA | | ± 750 | |
| | | | MAX4198EUA | | ± 2300 | |
| Input Offset Voltage Drift | TCO | MAX4198ESA | | ± 0.5 | ± 5 | $\mu\text{V}/^\circ\text{C}$ |
| | | MAX4198EUA | | ± 1 | ± 20 | |
| Input Resistance | R_{IN} | IN+ differential-mode | | 50 | | $k\Omega$ |
| | | IN- differential-mode | | 25 | | |
| | | Common-mode | | 50 | | |
| Input Voltage Range | V_{IN} | Guaranteed by CMR test | $V_{EE} - 0.1$ | | $V_{CC} + 0.1$ | V |
| DC Common-Mode Rejection | CMR_{DC} | $V_{CM} = V_{EE} - 0.1V$ to $V_{CC} + 0.1V$ | MAX4198ESA | 74 | 90 | dB |
| | | | MAX4198EUA | 70 | 90 | |
| AC Common-Mode Rejection | CMR_{AC} | $V_{CM} = V_{EE} - 0.1$ to $V_{CC} + 0.1V$, $f = 60\text{Hz}$, $f = 120\text{Hz}$ | | 90 | | dB |
| Power-Supply Rejection | PSR | $+2.7V \leq V_{CC} \leq +7.5V$, $V_{CM} = +1.5V$, $V_{REF} = +1.5V$, $R_L = 25k\Omega$ to $+1.5V$ | 90 | 115 | | dB |
| Input Noise Voltage | | $f = 10\text{Hz}$ | | 120 | | $nV/\sqrt{\text{Hz}}$ |
| | | $f = 100\text{Hz}$ | | 60 | | |
| | | $f = 10\text{kHz}$ | | 58 | | |
| | | $f = 0.1\text{Hz}$ to 10Hz | | 7.8 | | μVRMS |
| Output Voltage Swing | | $R_L = 25k\Omega$, $\pm 10\text{mV}$ input overdrive | $V_{EE} + 0.1$ | $V_{EE} + 0.03$ to $V_{CC} - 0.1$ | $V_{CC} - 0.03$ | V |
| | | $R_L = 5k\Omega$, $\pm 10\text{mV}$ input overdrive | $V_{EE} + 0.2$ | $V_{EE} + 0.1$ to $V_{CC} - 0.2$ | $V_{CC} - 0.1$ | |
| Short-Circuit Current | | Sink/source | | ± 5.5 | | mA |
| Gain Error | | $V_{CM} = V_{CC} / 2$, $T_A = +25^\circ\text{C}$ | $R_L = 25k\Omega$, $V_{EE} + 0.1V \leq$ $V_{OUT} \leq V_{CC} - 0.1V$ | ± 0.01 | ± 0.1 | % |
| | | | $R_L = 5k\Omega$, $V_{EE} + 0.2V \leq$ $V_{OUT} \leq V_{CC} - 0.2V$ | ± 0.01 | ± 0.1 | |
| Gain Temperature Coefficient | | $V_{EE} + 0.1V \leq$ $V_{OUT} \leq V_{CC} - 0.1V$ | MAX4198ESA | ± 0.2 | ± 3 | ppm/ $^\circ\text{C}$ |
| | | | MAX4198EUA | ± 0.65 | ± 6 | |
| Nonlinearity | | $V_{EE} + 0.1V \leq V_{OUT} \leq V_{CC} - 0.1V$ | | ± 0.0003 | | % |

Micropower, Single-Supply, Rail-to-Rail Precision Differential Amplifiers

MAX4198/MAX4199

ELECTRICAL CHARACTERISTICS—MAX4198 (+5V Supply) (continued)

($V_{CC} = +5V$, $V_{EE} = 0V$, $R_L = 25k\Omega$ tied to $V_{CC} / 2$, $V_{REF} = V_{CC} / 2$, $V_{SHDN} = V_{CC} - 1.5V$, typical values are at $T_A = +25^\circ C$, $T_A = T_{MIN}$ to T_{MAX} , unless otherwise noted.) (Note 1)

| PARAMETER | SYMBOL | CONDITIONS | MIN | TYP | MAX | UNITS |
|-----------------------------------|--------------|---|----------------|----------------|-----|------------|
| Capacitive Load Stability | C_L | | | 690 | | pF |
| -3dB Bandwidth | BW_{-3dB} | $V_{OUT} \leq 0.1V_{p-p}$, $V_{CM} = V_{CC} / 2$ | | 175 | | kHz |
| Slew Rate | SR | $V_{OUT} = 2V_{p-p}$ step | | 0.07 | | V/ μs |
| Settling Time to 0.1% | t_s | $V_{OUT} = 2V_{p-p}$ step | | 34 | | μs |
| Total Harmonic Distortion | THD | $V_{OUT} = 2V_{p-p}$, $f = 1kHz$ | | 0.001 | | % |
| Supply Current | I_{CC} | $V_{CM} = V_{CC} / 2$, $V_{IN+} = V_{IN-}$ | | 45 | 55 | μA |
| Shutdown Supply Current | I_{SHDN} | $V_{SHDN} = V_{IL}$ | | 6.5 | 12 | μA |
| Input Logic Voltage High (Note 3) | V_{IH} | | $V_{CC} - 1.5$ | | | V |
| Input Logic Voltage Low (Note 3) | V_{IL} | | | $V_{CC} - 2.5$ | | V |
| SHDN Input Bias Current | | $V_{SHDN} = V_{CC} - 1.5V$ or $V_{SHDN} = V_{EE}$ | -0.1 | | 0.1 | μA |
| Enable/Disable Settling Time | $t_{ON/OFF}$ | $V_{SHDN} = V_{CC} - 2.5V$ to $V_{CC} - 1.5V$, $V_{OUT} = 3.5V$, settled to within 0.1% | | 28 | | μs |
| Power-Up Delay | | $V_{OUT} = 3.5V$, settled to within 0.1% | | 800 | | μs |

ELECTRICAL CHARACTERISTICS—MAX4198 (+3V Supply)

($V_{CC} = +3V$, $V_{EE} = 0V$, $R_L = 25k\Omega$ tied to $V_{CC} / 2$, $V_{REF} = V_{CC} / 2$, $V_{SHDN} = V_{CC} - 1.5V$, typical values are at $T_A = +25^\circ C$, $T_A = T_{MIN}$ to T_{MAX} , unless otherwise noted.) (Note 1)

| PARAMETER | SYMBOL | CONDITIONS | MIN | TYP | MAX | UNITS |
|-----------------------------------|------------|---|---|------------------------------------|----------------|------------------|
| Input Offset Voltage | V_{OS} | $T_A = +25^\circ C$, $V_{CM} = V_{CC} / 2$ | MAX4198ESA | ± 35 | ± 600 | μV |
| | | | MAX4198EUA | ± 100 | ± 1100 | |
| | | $T_A = T_{MIN}$ to T_{MAX} , $V_{CM} = V_{CC} / 2$ | MAX4198ESA | | ± 850 | |
| | | | MAX4198EUA | | ± 2400 | |
| Input Offset Voltage Drift | TCO | MAX4198ESA | | ± 0.5 | ± 5.0 | $\mu V/^\circ C$ |
| | | MAX4198EUA | | ± 1.0 | ± 20 | |
| Input Voltage Range | V_{IN} | Guaranteed by CMR test | $V_{EE} - 0.1$ | | $V_{CC} + 0.1$ | V |
| DC Common-Mode Rejection | CMRDC | $V_{CM} = V_{EE} - 0.1$ to $V_{CC} + 0.1$ | MAX4198ESA | 74 | 90 | dB |
| | | | MAX4198EUA | 70 | 90 | |
| Output Voltage Swing | | $R_L = 25k\Omega$, $\pm 10mV$ input overdrive | $V_{EE} + 0.1$ to $V_{CC} - 0.1$ | $V_{EE} + 0.03$ $V_{CC} - 0.03$ | | V |
| | | $R_L = 5k\Omega$, $\pm 10mV$ input overdrive | $V_{EE} + 0.2$ to $V_{CC} - 0.2$ | $V_{EE} + 0.1$ $V_{CC} - 0.1$ | | |
| Short-Circuit Current | | Sink/source | | ± 4.5 | | mA |
| Gain Error | | $V_{CM} = V_{CC} / 2$, $T_A = +25^\circ C$ | $R_L = 25k\Omega$, $V_{EE} + 0.1V \leq V_{OUT} \leq V_{CC} - 0.1V$ | ± 0.01 | ± 0.1 | % |
| | | | $R_L = 5k\Omega$, $V_{EE} + 0.2V \leq V_{OUT} \leq V_{CC} - 0.2V$ | ± 0.01 | ± 0.1 | |
| Gain Temperature Coefficient | | $V_{EE} + 0.1V \leq V_{OUT} \leq V_{CC} - 0.1V$ | MAX4198ESA | ± 0.2 | ± 3 | ppm/ $^\circ C$ |
| | | | MAX4198EUA | ± 0.65 | ± 6 | |
| Supply Current | I_{CC} | $V_{CM} = V_{CC} / 2$, $V_{DIFF} = 0$ | | 42 | | μA |
| Shutdown Supply Current | I_{SHDN} | | | 6.5 | | μA |
| Input Logic High Voltage (Note 3) | V_{IH} | | $V_{CC} - 1.5$ | | | V |
| Input Logic Low Voltage (Note 3) | V_{IL} | | | $V_{CC} - 2.5$ | | V |

Micropower, Single-Supply, Rail-to-Rail Precision Differential Amplifiers

ELECTRICAL CHARACTERISTICS—MAX4199 (+5V Supply)

($V_{CC} = +5V$, $V_{EE} = 0V$, $R_L = 25k\Omega$ tied to $V_{CC} / 2$, $V_{REF} = V_{CC} / 2$, $V_{SHDN} = V_{CC} - 1.5V$, typical values are at $T_A = +25^\circ C$, $T_A = T_{MIN}$ to T_{MAX} , unless otherwise noted.) (Note 1)

| PARAMETER | SYMBOL | CONDITIONS | MIN | TYP | MAX | UNITS |
|-------------------------------|-------------------|---|--|------------------------------------|----------------|------------------|
| Supply Voltage Range (Note 2) | V_{CC} | Single supply | 2.7 | | 7.5 | V |
| | | Dual supply | ± 1.35 | | ± 3.75 | |
| Input Offset Voltage | V_{OS} | $T_A = +25^\circ C$, $V_{CM} = V_{CC} / 2$ | MAX4199ESA | ± 10 | ± 300 | μV |
| | | | MAX4199EUA | ± 100 | ± 600 | |
| | | $T_A = T_{MIN}$ to T_{MAX} , $V_{CM} = V_{CC} / 2$ | MAX4199ESA | | ± 500 | |
| | | | MAX4199EUA | | ± 1475 | |
| Input Offset Voltage Drift | TCO | MAX4199ESA | | ± 0.25 | ± 3 | $\mu V/^\circ C$ |
| | | MAX4199EUA | | ± 0.75 | ± 15 | |
| Input Resistance | R_{IN} | IN+ differential mode | | 275 | | $k\Omega$ |
| | | IN- differential mode | | 25 | | |
| | | Common-mode | | 275 | | |
| Input Voltage Range (Note 2) | V_{IN} | Guaranteed by CMR test | $V_{EE} - 0.1$ | | $V_{CC} - 1.0$ | V |
| DC Common-Mode Rejection | CMR _{DC} | $V_{CM} = V_{EE} - 0.1V$ to $V_{CC} - 1.0V$ | MAX4199ESA | 84 | 110 | dB |
| | | | MAX4199EUA | 80 | 110 | |
| AC Common-Mode Rejection | CMR _{AC} | $V_{CM} = V_{EE} - 0.1V$ to $V_{CC} - 1.0V$, $f = 60Hz$ | | 110 | | dB |
| Power-Supply Rejection | PSR | $+2.7V \leq V_{CC} \leq +7.5V$, $V_{CM} = +1.5V$, $V_{REF} = +1.5V$, $R_L = 25k\Omega$ to $+1.5V$ | 90 | 120 | | dB |
| Input Noise Voltage | | $f = 10Hz$ | | 60 | | nV/\sqrt{Hz} |
| | | $f = 100Hz$ | | 40 | | |
| | | $f = 10kHz$ | | 38 | | |
| | | $f = 0.1Hz$ to $10Hz$ | | 6.6 | | μV_{RMS} |
| Output Voltage Swing | | $R_L = 25k\Omega$, $\pm 10mV$ input overdrive | $V_{EE} + 0.1$ to $V_{CC} - 0.1$ | $V_{EE} + 0.02$ $V_{CC} - 0.02$ | | V |
| | | $R_L = 5k\Omega$, $\pm 10mV$ input overdrive | $V_{EE} + 0.2$ to $V_{CC} - 0.2$ | $V_{EE} + 0.1$ $V_{CC} - 0.1$ | | |
| Short-Circuit Current | | Sink/source | | ± 5.5 | | mA |
| Gain Error | | $V_{CM} = V_{CC} / 2$, $T_A = +25^\circ C$ | $R_L = 25k\Omega$, $V_{EE} + 0.1V \leq$ $V_{OUT} \leq V_{CC} - 0.1V$ | ± 0.01 | ± 0.3 | % |
| | | | $R_L = 5k\Omega$, $V_{EE} + 0.2V \leq$ $V_{OUT} \leq V_{CC} - 0.2V$ | ± 0.01 | ± 0.3 | |
| Gain Temperature Coefficient | | $V_{EE} + 0.1V \leq$ $V_{OUT} \leq V_{CC} - 0.1V$ | MAX4199ESA | ± 1 | ± 5 | ppm/ $^\circ C$ |
| | | | MAX4199EUA | ± 2 | ± 10 | |
| Nonlinearity | | $V_{EE} + 0.1V \leq V_{OUT} \leq V_{CC} - 0.1V$ | | ± 0.0003 | | % |
| Capacitive Load Stability | C_L | | | 600 | | pF |
| -3dB Bandwidth | BW-3dB | $V_{OUT} \leq 0.1V_{p-p}$, $V_{CM} = V_{CC} / 2$ | | 45 | | kHz |
| Slew Rate | SR | $V_{OUT} = 2V_{p-p}$ | | 0.1 | | V/ μs |
| Settling Time to 0.1% | t_s | $V_{OUT} = 2V_{p-p}$ step | | 37 | | μs |
| Total Harmonic Distortion | THD | $V_{OUT} = 2V_{p-p}$, $f = 1kHz$ | | 0.001 | | % |
| Supply Current | I_{CC} | $V_{CM} = V_{CC} / 2$, $V_{IN+} = V_{IN-}$ | | 45 | 55 | μA |
| Shutdown Supply Current | I_{SHDN} | $V_{SHDN} = V_{IL}$ | | 6.5 | 12 | μA |

Micropower, Single-Supply, Rail-to-Rail Precision Differential Amplifiers

MAX4198/MAX4199

ELECTRICAL CHARACTERISTICS—MAX4199 (+5V Supply) (continued)

($V_{CC} = +5V$, $V_{EE} = 0V$, $R_L = 25k\Omega$ tied to $V_{CC} / 2$, $V_{REF} = V_{CC} / 2$, $V_{SHDN} = V_{CC} - 1.5V$, typical values are at $T_A = +25^\circ C$, $T_A = T_{MIN}$ to T_{MAX} , unless otherwise noted.) (Note 1)

| PARAMETER | SYMBOL | CONDITIONS | MIN | TYP | MAX | UNITS |
|--------------------------------------|--------------|---|----------------|----------------|-----|---------|
| Input Logic Voltage High (Note 3) | V_{IH} | | $V_{CC} - 1.5$ | | | V |
| Input Logic Voltage Low (Note 3) | V_{IL} | | | $V_{CC} - 2.5$ | | V |
| \overline{SHDN} Input Bias Current | | $V_{SHDN} = V_{CC} - 1.5V$ or $V_{SHDN} = V_{EE}$ | -0.1 | | 0.1 | μA |
| Enable/Disable Settling Time | $t_{ON/OFF}$ | $V_{SHDN} = V_{CC} - 2.5V$ to $V_{CC} - 1.5V$, $V_{OUT} = 3.5V$, settled to within 0.1% | | 35 | | μs |
| Power-Up Delay | | $V_{OUT} = 3.5V$, settled to within 0.1% | | 800 | | μs |

ELECTRICAL CHARACTERISTICS—MAX4199 (+3V Supply)

($V_{CC} = +3V$, $V_{EE} = 0V$, $R_L = 25k\Omega$ tied to $V_{CC} / 2$, $V_{REF} = V_{CC} / 2$, $V_{SHDN} = V_{CC} - 1.5V$, values are at $T_A = +25^\circ C$, $T_A = T_{MIN}$ to T_{MAX} , unless otherwise noted.) (Note 1)

| PARAMETER | SYMBOL | CONDITIONS | MIN | TYP | MAX | UNITS |
|-----------------------------------|------------|---|---|---------------------------------------|------------------|-----------------|
| Input Offset Voltage | V_{OS} | $T_A = +25^\circ C$, $V_{CM} = V_{CC} / 2$ | MAX4199ESA | ± 15 | ± 400 | μV |
| | | | MAX4199EUA | ± 100 | ± 700 | |
| | | $T_A = T_{MIN}$ to T_{MAX} , $V_{CM} = V_{CC} / 2$ | MAX4199ESA | | ± 600 | |
| | | | MAX4199EUA | | ± 1675 | |
| Input Offset Voltage Drift | TCO | MAX4199ESA | ± 0.25 | ± 5 | $\mu V/^\circ C$ | |
| | | MAX4199EUA | ± 0.75 | ± 15 | | |
| Input Voltage Range | V_{IN} | Guaranteed by CMR test | $V_{EE} - 0.1$ | | $V_{CC} - 1.1$ | V |
| DC Common-Mode Rejection | CMR_{DC} | $V_{CM} = V_{EE} - 0.1$ to $V_{CC} - 1.1$ | MAX4199ESA | 84 | 110 | dB |
| | | | MAX4199EUA | 80 | 110 | |
| Output Voltage Swing | | $R_L = 25k\Omega$, $\pm 10mV$ input overdrive | $V_{EE} + 0.1$ to $V_{CC} - 0.1$ | $V_{EE} + 0.02$ to $V_{CC} - 0.02$ | | V |
| | | $R_L = 5k\Omega$, $\pm 10mV$ input overdrive | $V_{EE} + 0.2$ to $V_{CC} - 0.2$ | $V_{EE} + 0.1$ to $V_{CC} - 0.1$ | | |
| Short-Circuit Current | | Sink/source | ± 4.5 | | | mA |
| Gain Error | | $V_{CM} = V_{CC} / 2$, $T_A = +25^\circ C$ | $R_L = 25k\Omega$, $V_{EE} + 0.1V \leq V_{OUT} \leq V_{CC} - 0.1V$ | ± 0.01 | ± 0.3 | % |
| | | | $R_L = 5k\Omega$, $V_{EE} + 0.2V \leq V_{OUT} \leq V_{CC} - 0.2V$ | ± 0.01 | ± 0.3 | |
| Gain Temperature Coefficient | | $V_{EE} + 0.1V \leq V_{OUT} \leq V_{CC} - 0.1V$ | MAX4199ESA | ± 1 | ± 5 | ppm/ $^\circ C$ |
| | | | MAX4199EUA | ± 2 | ± 10 | |
| Supply Current | I_{CC} | $V_{CM} = V_{CC} / 2$, $V_{DIFF} = 0$ | | 42 | | μA |
| Shutdown Supply Current | I_{SHDN} | | | 6.5 | | μA |
| Input Logic High Voltage (Note 3) | V_{IH} | | $V_{CC} - 1.5$ | | | V |
| Input Logic Low Voltage (Note 3) | V_{IL} | | | $V_{CC} - 2.5$ | | V |

Note 1: The MAX4198EUA and the MAX4199EUA are 100% production tested at $+25^\circ C$. All temperature limits are guaranteed by design.

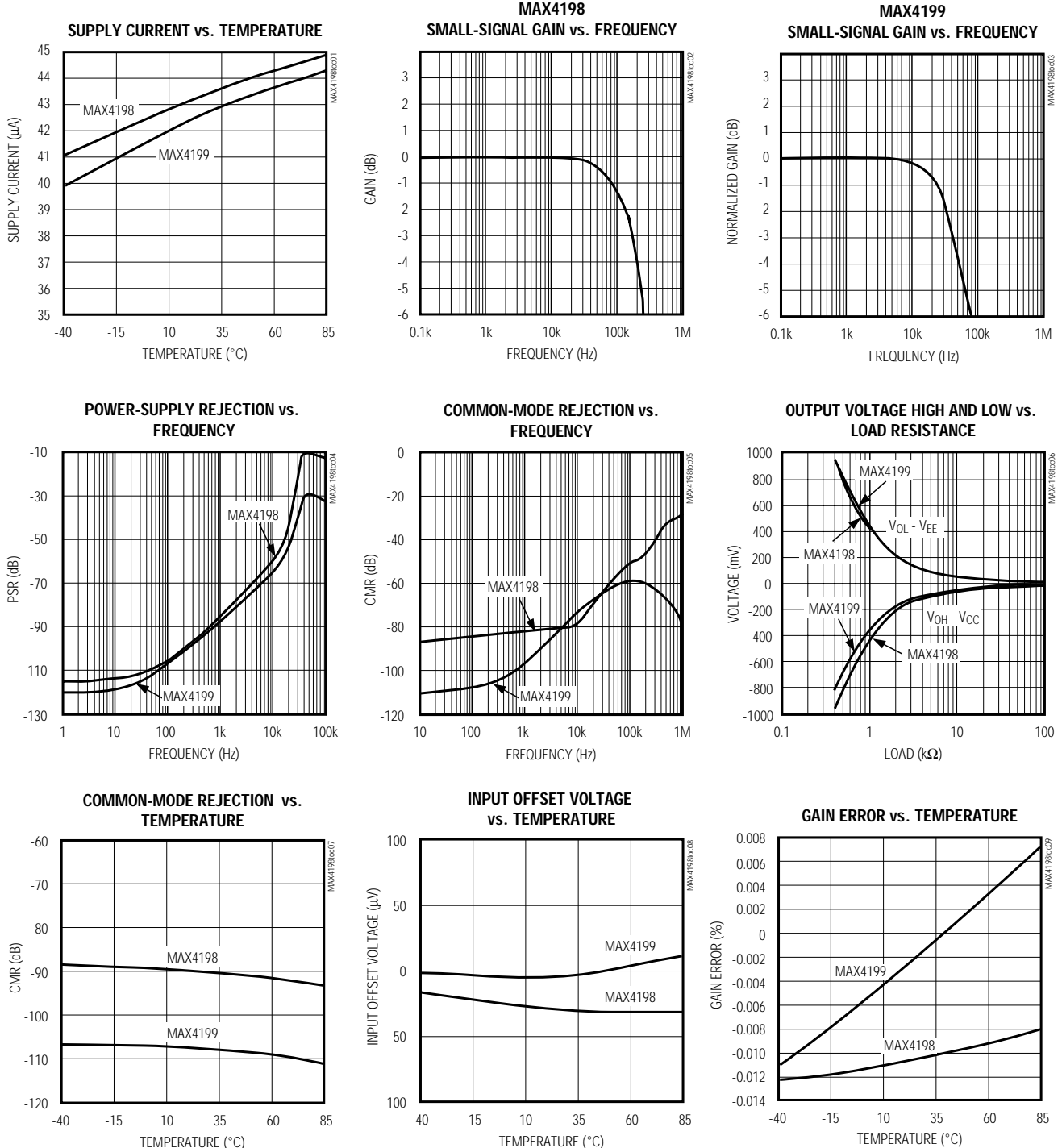
Note 2: Guaranteed by PSR test.

Note 3: When shutdown input is at logic high, the part is active; when at logic low, the part is in shutdown.

Micropower, Single-Supply, Rail-to-Rail Precision Differential Amplifiers

Typical Operating Characteristics

($V_{CC} = +5V$, $V_{EE} = 0V$, $R_L = 25k\Omega$ to $V_{CC} / 2$, $V_{SHDN} = V_{CC} - 1.5V$, small-signal $V_{OUT} = 100mVp-p$, large-signal $V_{OUT} = 1Vp-p$, $T_A = +25^\circ C$, unless otherwise noted.)

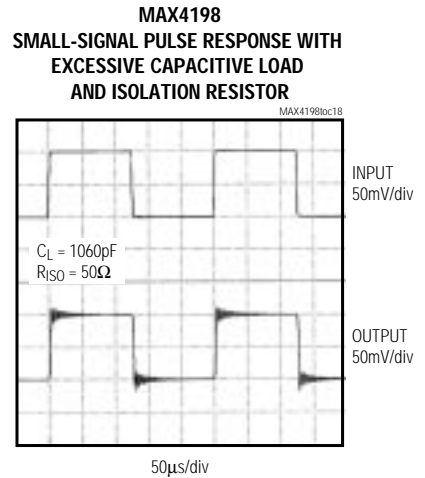
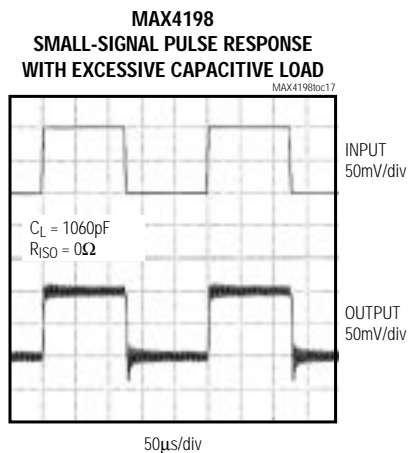
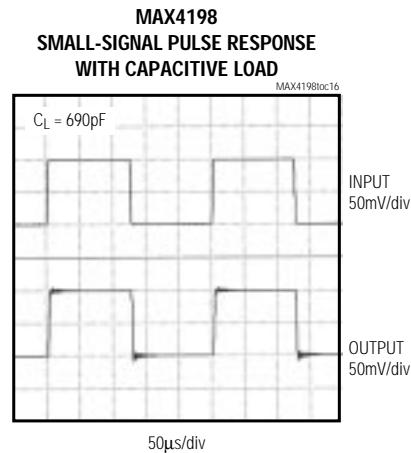
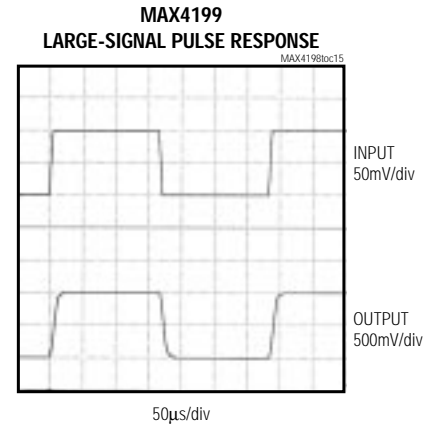
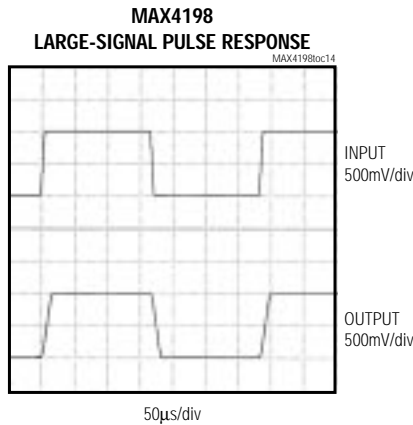
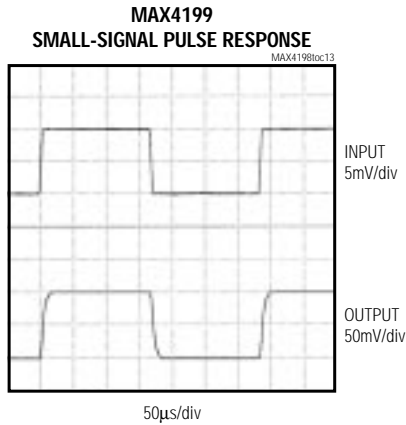
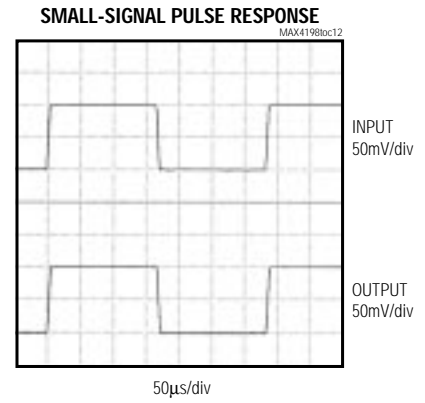
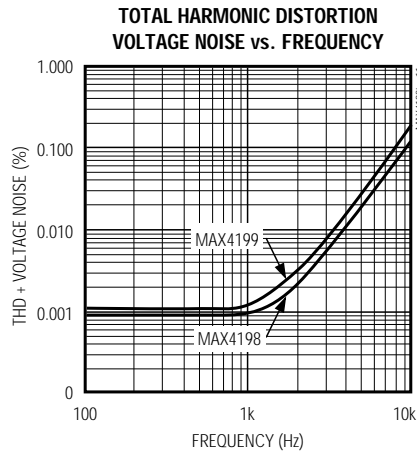
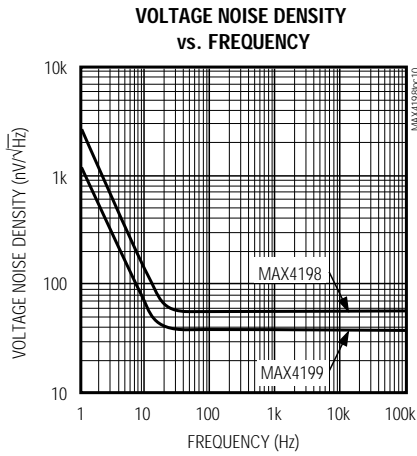


Micropower, Single-Supply, Rail-to-Rail Precision Differential Amplifiers

Typical Operating Characteristics (continued)

($V_{CC} = +5V$, $V_{EE} = 0V$, $R_L = 25k\Omega$ to $V_{CC} / 2$, $V_{SHDN} = V_{CC} - 1.5V$, small-signal $V_{OUT} = 100mVp-p$, large-signal $V_{OUT} = 1Vp-p$, $T_A = +25^\circ C$, unless otherwise noted.)

MAX4198/MAX4199

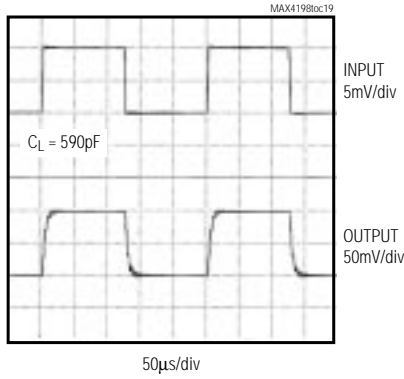


Micropower, Single-Supply, Rail-to-Rail Precision Differential Amplifiers

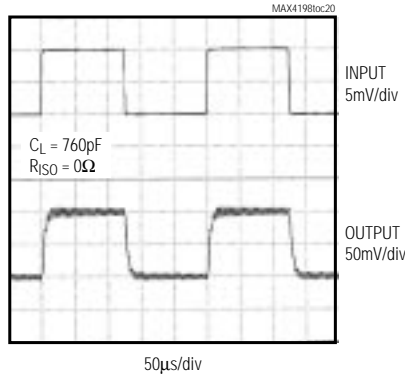
Typical Operating Characteristics (continued)

($V_{CC} = +5V$, $V_{EE} = 0V$, $R_L = 25k\Omega$ to $V_{CC} / 2$, $V_{SHDN} = V_{CC} - 1.5V$, small-signal $V_{OUT} = 100mVp-p$, large-signal $V_{OUT} = 1Vp-p$, $T_A = +25^\circ C$, unless otherwise noted.)

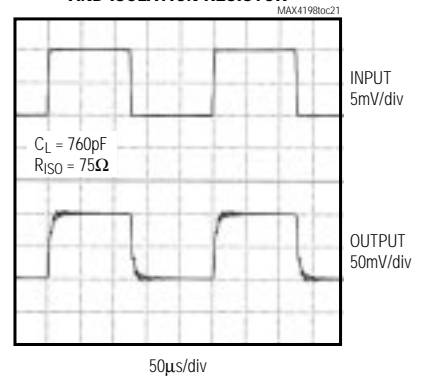
MAX4199
SMALL-SIGNAL PULSE RESPONSE
WITH CAPACITIVE LOAD



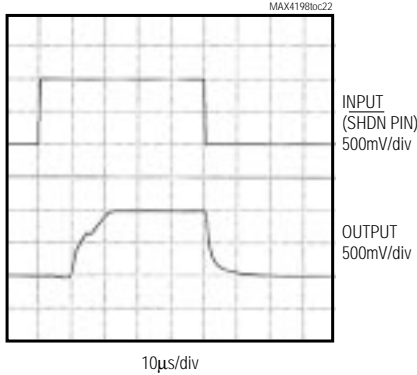
MAX4199
SMALL-SIGNAL PULSE RESPONSE WITH
EXCESSIVE CAPACITIVE LOAD



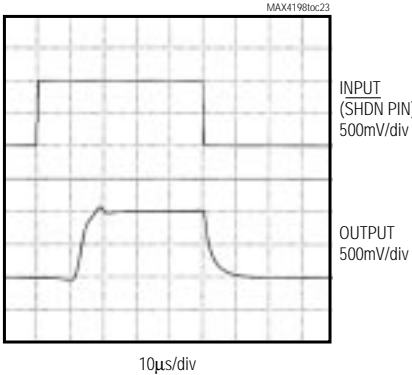
MAX4199
SMALL-SIGNAL PULSE RESPONSE WITH
EXCESSIVE CAPACITIVE LOAD
AND ISOLATION RESISTOR



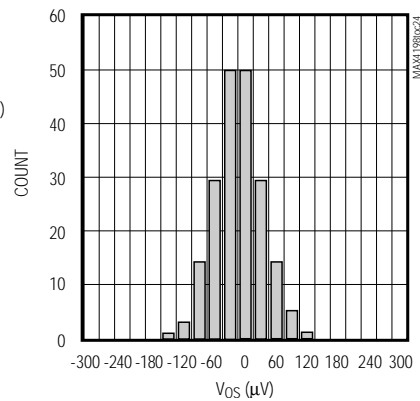
MAX4198
TIME EXITING SHUTDOWN



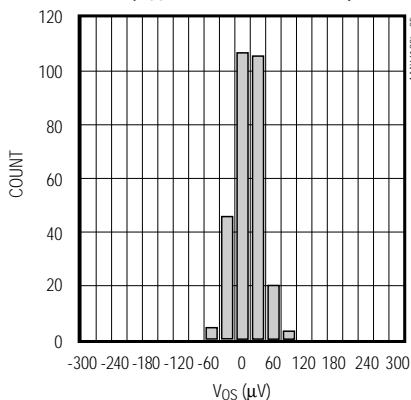
MAX4199
TIME EXITING SHUTDOWN



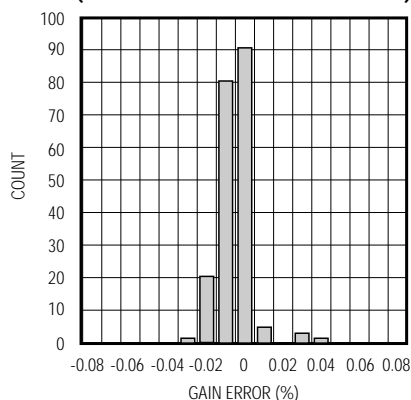
MAX4198 HISTOGRAM
(V_{OS} BASED ON 200 UNITS)



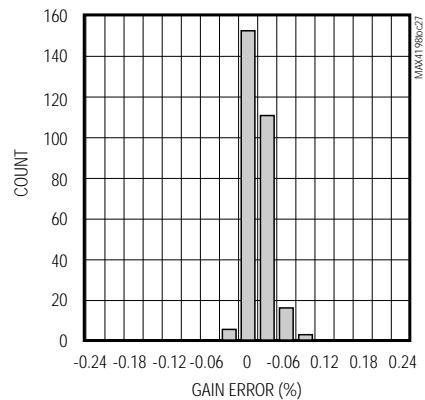
MAX4199 HISTOGRAM
(V_{OS} BASED ON 280 UNITS)



MAX4198 HISTOGRAM
(GAIN ACCURACY BASED ON 200 UNITS)



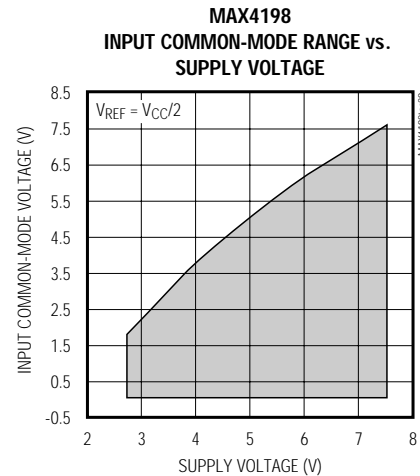
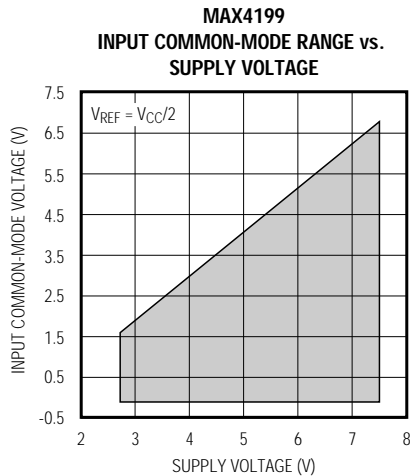
MAX4199 HISTOGRAM
(GAIN ACCURACY BASED ON 280 UNITS)



Micropower, Single-Supply, Rail-to-Rail Precision Differential Amplifiers

Typical Operating Characteristics (continued)

($V_{CC} = +5V$, $V_{EE} = 0V$, $R_L = 25k\Omega$ to $V_{CC} / 2$, $V_{SHDN} = V_{CC} - 1.5V$, small-signal $V_{OUT} = 100mVp-p$, large-signal $V_{OUT} = 1Vp-p$, $T_A = +25^\circ C$, unless otherwise noted.)



MAX4198/MAX4199

Pin Description

| PIN | NAME | FUNCTION |
|-----|-------------------|---|
| 1 | REF | Reference Voltage Input. Offsets output voltage. |
| 2 | IN- | Inverting Input |
| 3 | IN+ | Noninverting Input |
| 4 | V_{EE} | Negative Supply Voltage |
| 5 | FB | Feedback Resistor. Can be used as a sense input. |
| 6 | OUT | Amplifier Output |
| 7 | V_{CC} | Positive Supply Voltage |
| 8 | \overline{SHDN} | Shutdown Control. Shutdown threshold is referenced to V_{CC} . When pulled 2.5V below V_{CC} , part is in shutdown. |

Detailed Description

The MAX4198/MAX4199 are precision low-power differential amplifiers with factory-trimmed internal gain-setting resistors. The MAX4198 is trimmed to a gain of +1V/V and the MAX4199 is trimmed to a gain of +10V/V.

Input Stage

The *Functional Diagram* shows the internal structure of the MAX4198/MAX4199. Although the resistors are precision matched, their absolute value varies by $\pm 25\%$. The typical input impedance for the MAX4198 is $50k\Omega$ for the noninverting input and $25k\Omega$ for the inverting input. The typical input impedance for the MAX4199 is $275k\Omega$ for the noninverting input and $25k\Omega$ for the inverting input.

The common-mode inputs of the internal op amp can range from V_{EE} to $(V_{CC} - 1.1V)$. Although the inputs to the internal op amp are not rail-to-rail, the internal resistors form a voltage divider that extends the input common-mode range beyond-the-rails for the MAX4198. The overall input range of the MAX4198 extends 100mV beyond-the-rails without adversely affecting common-mode rejection or undergoing phase reversal ($V_{CC} = 5V$). The MAX4199 input common-mode range extends from 100mV below the negative rail to $(V_{CC} - 1V)$ (see the Input Common-Mode Voltage Range vs. Supply Voltage graph in the *Typical Operating Characteristics*).

Micropower, Single-Supply, Rail-to-Rail Precision Differential Amplifiers

Rail-to-Rail Output Stage

The MAX4198/MAX4199 output stage incorporates a common-source rail-to-rail structure which maximizes the dynamic range of the differential amplifier. The output can swing to within 100mV from each rail with a 5k Ω load to $V_{CC}/2$ (see *Typical Operating Characteristics*).

Shutdown Mode

The MAX4198/MAX4199 have an active-low shutdown input. $\overline{\text{SHDN}}$ input logic thresholds are referenced to V_{CC} , not to GND. Pulling $\overline{\text{SHDN}}$ 2.5V below the positive rail places the amplifiers in a 12 μA (max) shutdown mode. The MAX4198/MAX4199 exit or enter shutdown in 35 μs . In shutdown, the OUT pin is high-impedance.

Applications Information

Driving Capacitive Loads

The MAX4198/MAX4199 are relatively immune to oscillations caused when driving large capacitive loads. Although heavy load capacitance increases transient ringing, sustained oscillations typically don't occur for loads under 600pF (see Pulse Response with Capacitive Load in the *Typical Operating Characteristics*). Applications that require driving higher capacitive loads can isolate the output capacitance using a 15 Ω to 100 Ω resistor between the amplifier output and the load (Figure 1). Although adding an isolation resistor dampens the response enough to prevent oscillations, it does so at the expense of bandwidth and DC accuracy.

Power Supply Considerations

The MAX4198/MAX4199 operate from single +2.7V to +7.5V supplies or from dual $\pm 1.35\text{V}$ to $\pm 3.75\text{V}$ supplies, and they consume only 45 μA of supply current. Excellent power-supply rejection permits the amplifiers to be operated directly from a decaying 3V cell without excessive error. To maximize AC performance, the supply must be bypassed with a 0.1 μF ceramic capacitor to ground that must be as close as possible to the pin. If dual supplies are used, bypass both supply pins with 0.1 μF to ground.

Application Circuits

Differential amplifiers can be used in single-ended and other amplifier applications. Figures 2 through 6 show the MAX4198/MAX4199 in different configurations. The internally trimmed and matched resistors offer convenience and have a distinct advantage over external resistors. These amplifiers are not compensated for single-ended unity gain; therefore, IN- should not be connected to OUT or left unconnected.

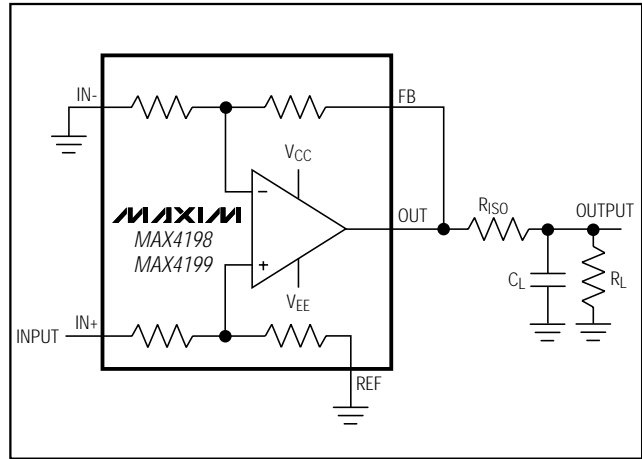


Figure 1. Dual-Supply, Capacitive-Load Driving Circuit

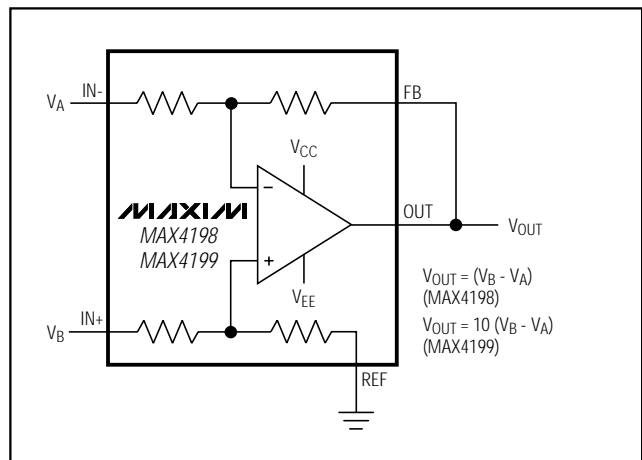


Figure 2. Standard Difference Amplifier

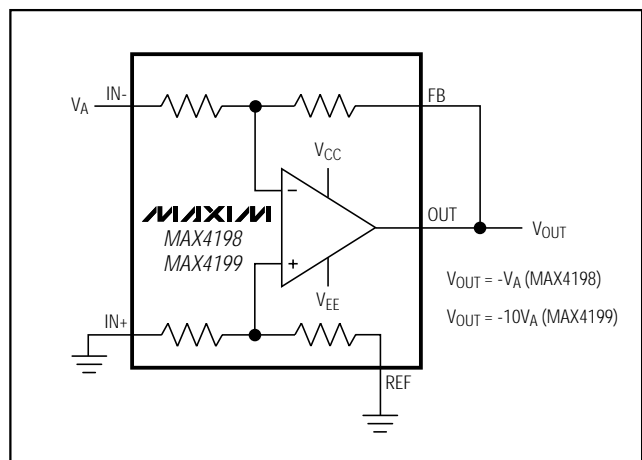


Figure 3. Precision Inverting Buffer

Micropower, Single-Supply, Rail-to-Rail Precision Differential Amplifiers

Instrumentation Amplifier Applications

For applications that require a complete low-power instrumentation amplifier, refer to the MAX4194–MAX4197 data sheet. Some differential to single-ended voltage amplifier applications that don't require a high input impedance can use the MAX4198/MAX4199 for gains of +1V/V or +10V/V. The MAX4198/MAX4199 can

also be used as an instrumentation amplifier building block. The circuit of Figure 7 takes advantage of the 10pA (max), 0.1pA (typ) bias current of the MAX406A to form an instrumentation amplifier similar to the MAX4194 family, except with lower input bias currents. The MAX406A's low 1.2μA supply current maintains a low overall supply current.

MAX4198/MAX4199

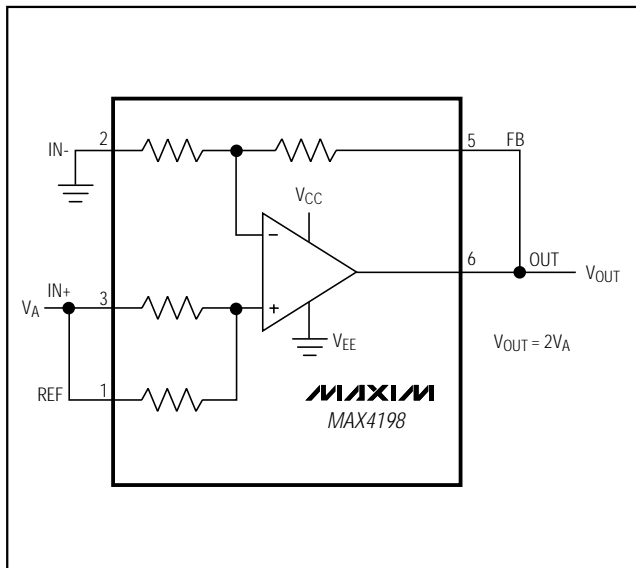


Figure 4. Precision Gain of Two Amplifiers

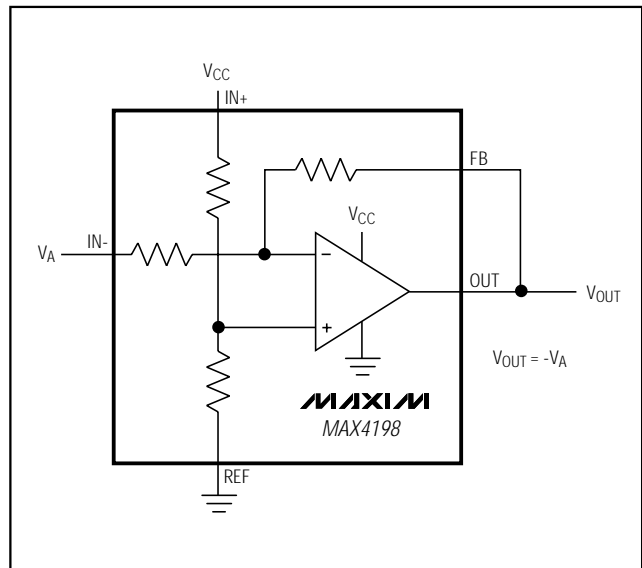


Figure 5. Single-Supply Inverting Amplifier Biased at $V_{CC} / 2$

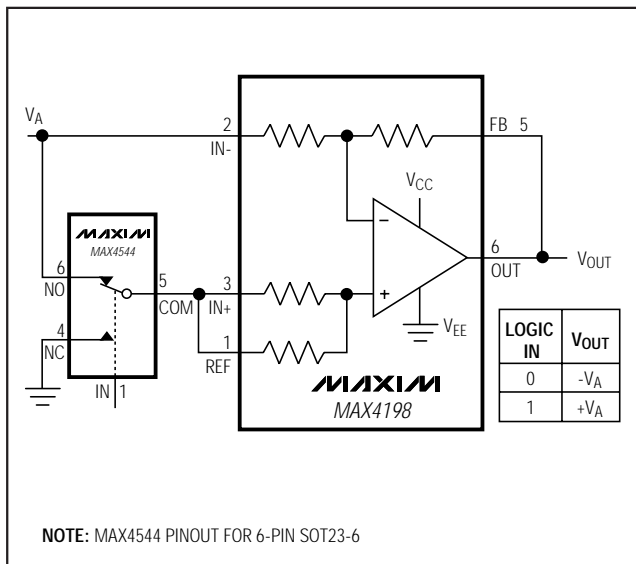


Figure 6. Digitally Controlled Precision Gain of ± 1 Amplifier

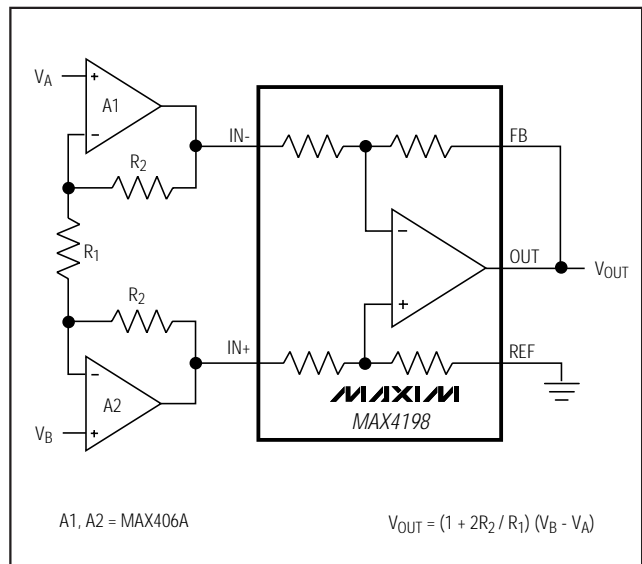


Figure 7. Ultra-Low Input Bias Current (0.1pA) Instrumentation Amplifiers with 47μA Supply-Current Consumption

Micropower, Single-Supply, Rail-to-Rail Precision Differential Amplifiers

Chip Information

TRANSISTOR COUNT: 250
 SUBSTRATE CONNECTED TO V_{EE}

Package Information

| | INCHES | | MILLIMETERS | | JEDEC | | | |
|----|------------|-------|-------------|------|------------|-------|----------|------|
| | MIN | MAX | MIN | MAX | MIN | MAX | MIN | MAX |
| A | 0.037 | 0.043 | 0.94 | 1.10 | --- | 0.043 | --- | 1.10 |
| A1 | 0.002 | 0.006 | 0.05 | 0.15 | 0.002 | 0.006 | 0.05 | 0.15 |
| B | 0.010 | 0.014 | 0.25 | 0.36 | 0.010 | 0.016 | 0.25 | 0.40 |
| C | 0.005 | 0.007 | 0.13 | 0.18 | 0.005 | 0.009 | 0.13 | 0.23 |
| D | 0.116 | 0.120 | 2.95 | 3.05 | 0.114 | 0.122 | 2.9 | 3.1 |
| e | 0.0256 BSC | | 0.65 BSC | | 0.0256 BSC | | 0.64 BSC | |
| E | 0.116 | 0.120 | 2.95 | 3.05 | 0.114 | 0.122 | 2.9 | 3.1 |
| H | 0.188 | 0.198 | 4.78 | 5.03 | 0.193 BSC | | 4.9 BSC | |
| L | 0.016 | 0.026 | 0.41 | 0.66 | 0.016 | 0.027 | 0.40 | 0.70 |
| α | 0° | 6° | 0° | 6° | 0° | 6° | 0° | 6° |

NOTES:
 1. D&E DO NOT INCLUDE MOLD FLASH.
 2. MOLD FLASH OR PROTRUSIONS NOT TO EXCEED .15mm(.006").
 3. CONTROLLING DIMENSION: MILLIMETERS.
 4. MEETS JEDEC MO-187.

8LUMAXD EPS

PROPRIETARY INFORMATION

TITLE:
8L uMAX PACKAGE OUTLINE DWG.

| | | | |
|----------|---------------------------------|----------|-----|
| APPROVAL | DOCUMENT CONTROL NO. 21-0036 | REV F | 1/1 |
|----------|---------------------------------|----------|-----|

Maxim cannot assume responsibility for use of any circuitry other than circuitry entirely embodied in a Maxim product. No circuit patent licenses are implied. Maxim reserves the right to change the circuitry and specifications without notice at any time.

12 Maxim Integrated Products, 120 San Gabriel Drive, Sunnyvale, CA 94086 408-737-7600

© 1999 Maxim Integrated Products

Printed USA

MAXIM is a registered trademark of Maxim Integrated Products.