

DATA SHEET

SA621

1GHz - Low voltage LNA, mixer and VCO

Product specification

1997 Nov 07

IC17 Data handbook

1GHz low voltage LNA, mixer and VCO

SA621

DESCRIPTION

The SA621 is a combined low-noise amplifier, mixer and VCO designed for high-performance low-power communication systems from 800-1000MHz. The low-noise preamplifier has a 1.7dB noise figure at 881MHz with 15dB gain and an IP3 intercept of -7dBm at the input. The gain is stabilized by on-chip compensation to vary less than $\pm 0.2\text{dB}$ over -40 to +85°C temperature range. The wide-dynamic-range mixer has a 12dB noise figure and IP3 of +4.5dBm at the input at 881MHz. The integrated VCO circuit with external resonator produces a high quality LO signal that drives the mixer and is buffered to an external PLL synthesizer IC. The nominal current drawn from a single 3V supply is 13.3mA. Additionally, the entire circuit can be powered down to further reduce the supply current to less than 20 μA .

FEATURES

- Low current consumption
- Outstanding gain and noise figure
- Excellent gain stability versus temperature and supply voltage
- LNA, mixer and VCO power down capability
- Monotonic VCO frequency vs control voltage

PIN CONFIGURATION

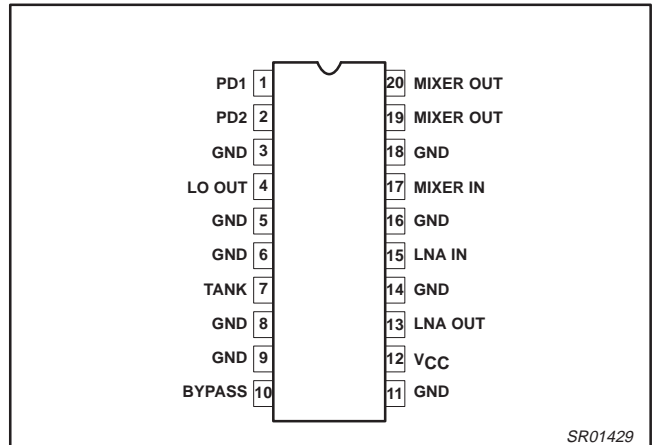


Figure 1. Pin Configuration

APPLICATIONS

- 900MHz cellular and cordless front-end
- Spread spectrum receivers
- RF data links
- UHF frequency conversion
- Portable radio

ORDERING INFORMATION

DESCRIPTION	TEMPERATURE RANGE	ORDER CODE	DWG #
20-Pin Thin Shrink Small Outline Package (Surface-mount, TSSOP)	-40 to +85°C	SA621DH	SOT360-1

BLOCK DIAGRAM

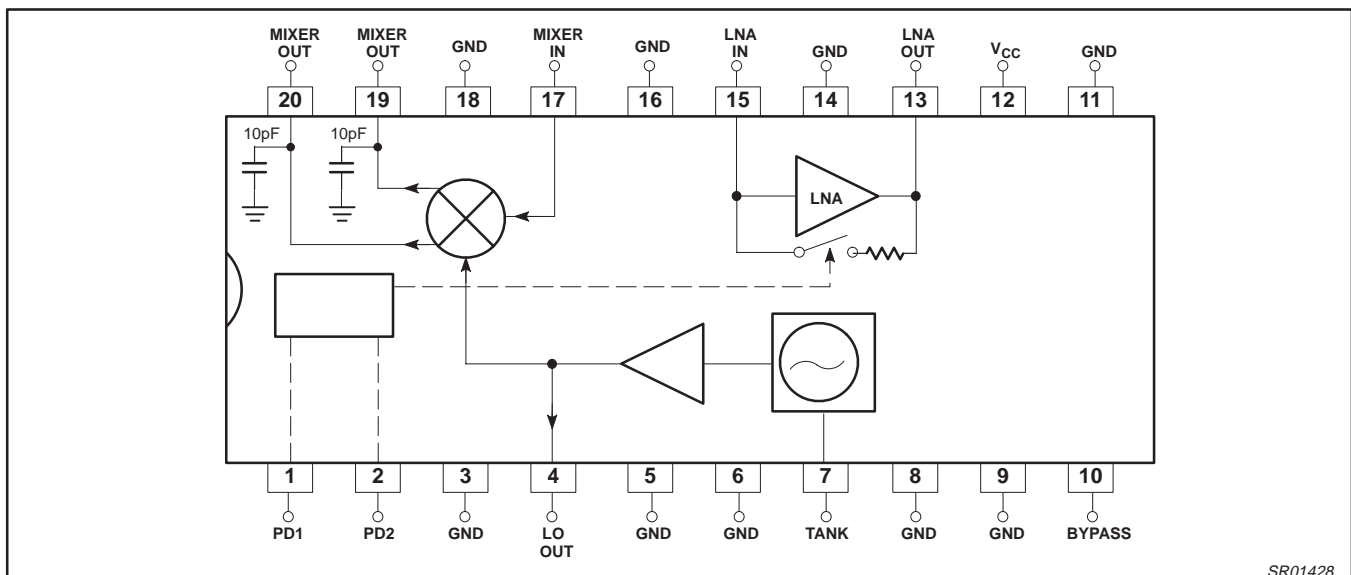


Figure 2. SA621 Block Diagram

1GHz low voltage LNA, mixer and VCO

SA621

ABSOLUTE MAXIMUM RATINGS

SYMBOL	PARAMETER	RATING	UNITS
V_{CC}	Supply voltage ¹	-0.3 to +6	V
V_{IN}	Voltage applied to any other pin	-0.3 to ($V_{CC} + 0.3$)	V
P_D	Power dissipation, $T_A = 25^\circ\text{C}$ (still air) ² 20-Pin Plastic SSOP	980	mW
T_{JMAX}	Maximum operating junction temperature	150	$^\circ\text{C}$
P_{MAX}	Maximum power input/output	+20	dBm
T_{STG}	Storage temperature range	-65 to +150	$^\circ\text{C}$

NOTE:

- Transients exceeding 8V on V_{CC} pin may damage product.
- Maximum dissipation is determined by the operating ambient temperature and the thermal resistance,
 θ_{JA} : 20-Pin SSOP = 110°C/W
- Pins 19 and 20 are ESD sensitive (mixer outputs).

RECOMMENDED OPERATING CONDITIONS

SYMBOL	PARAMETER	RATING	UNITS
V_{CC}	Supply voltage	2.7 to 5.5	V
T_A	Operating ambient temperature range	-40 to +85	$^\circ\text{C}$
T_J	Operating junction temperature	-40 to +105	$^\circ\text{C}$

DC ELECTRICAL CHARACTERISTICS

 $V_{CC} = +3.0\text{V}$, $T_A = 25^\circ\text{C}$; unless otherwise stated.

SYMBOL	PARAMETER	TEST CONDITIONS	LIMITS			UNITS
			MIN	TYP	MAX	
I_{CC}	Supply current	Full power-on		13.3		mA
		LNA powered-down		10		mA
		Standby (VCO + bias)		5.7		mA
		Full power-down		20		μA
V_T	PD logic threshold voltage		1.2	1.6	1.8	V
V_{IH}	Logic 1 level		2.0		V_{CC}	V
V_{IL}	Logic 0 level		-0.3		0.8	V
I_{IL}	PD1 input current	Enable = 0.4V		10		μA
I_{IH}	PD2 input current	Enable = 2.4V		10		μA

1GHz low voltage LNA, mixer and VCO

SA621

AC ELECTRICAL CHARACTERISTICSV_{CC} = +3.0V, T_A = 25°C; R_{F IN} = 881MHz, f_{VCO} = 964MHz; unless otherwise stated.

SYMBOL	PARAMETER	TEST CONDITIONS	LIMITS			UNITS
			-3σ	TYP	+3σ	
Low Noise Amplifier						
f _{RF}	RF input frequency range		800		1000	MHz
S ₂₁	Amplifier gain			15		dB
S ₂₁	Amplifier gain in power-down mode			-28		dB
ΔS ₂₁ /ΔT	Gain temperature sensitivity enabled			0.006		dB/°C
ΔS ₂₁ /Δf	Gain frequency variation	800MHz - 1.0GHz		±0.013		dB/MHz
S ₁₂	Amplifier reverse isolation	@ 881 MHz		-28		dB
S ₁₁	Amplifier input match	With ext. impedance matching		-10		dB
S ₂₂	Amplifier output match			-10		dB
P _{-1dB}	Amplifier input 1dB gain compression			-20		dBm
IP3	Amplifier input third order intercept			-7		dBm
NF	Amplifier noise figure			1.7		dB
t _{ON}	Amplifier turn-on time (Enable Lo → Hi)			120		μs
t _{OFF}	Amplifier turn-off time (Enable Hi → Lo)			0.3		μs
Mixer						
P _{GC}	Mixer power conversion gain: R _P = R _L = 1.2kΩ,	f _{RF} = 881MHz, f _{LO} = 964MHz, f _{IF} = 83MHz		8.7		dB
S _{11M}	Mixer input match	Ext. impedance matching req.		-10		dB
NF _M	Mixer SSB noise figure			12		dB
P _{-1dB}	Mixer input 1dB gain compression			-10		dBm
IP3 _M	Mixer input third order intercept			4.5		dBm
IP2 _{INT}	Mixer input second order intercept			15		dBm
P _{RFM-IF}	Mixer RF feedthrough	R _{F IN} = -25dBm		-41		dBm
P _{LO-IF}	LO feedthrough to IF	LO = -10dBm		-23		dBm
P _{LO-RFM}	LO to mixer input feedthrough			-52		dBm
P _{LO-RF}	LO to LNA input feedthrough			-38		dBm
Voltage Controlled Oscillator (VCO)¹						
f _{VCO}	VCO frequency range		883		1083	MHz
P _{VCO}	VCO power out	See Figure 3	-10	-8		dBm
	VCO phase noise ²	Offset = 30kHz		-109		dBc/Hz
		Offset = 60kHz		-115		
	Harmonic content			-22		dBc
	Residual modulation				45	dB
	Pulling figure	VSWR=2:1, all phases		±500		kHz
	Pushing figure			±100		kHz/V
Overall System						
G _{SYS}	System gain	LNA + Mixer	23.0	23.7	24.4	dB

NOTES:

- VCO performance dependent on external components.
- Based on copper-plated 2mm ceramic resonator (1/4 wave), f = 1025MHz, and can be improved by silver-plated or larger resonators.

1GHz low voltage LNA, mixer and VCO

SA621

Table 1. Power ON/OFF Control Logic

PD1	PD2	
0	0	Full chip power-down
0	1 or open	VCO on, Mixer on, LNA power-down
1 or open	0	VCO on, LNA and Mixer power-down
1 or open	1 or open	Full chip power-on (default)

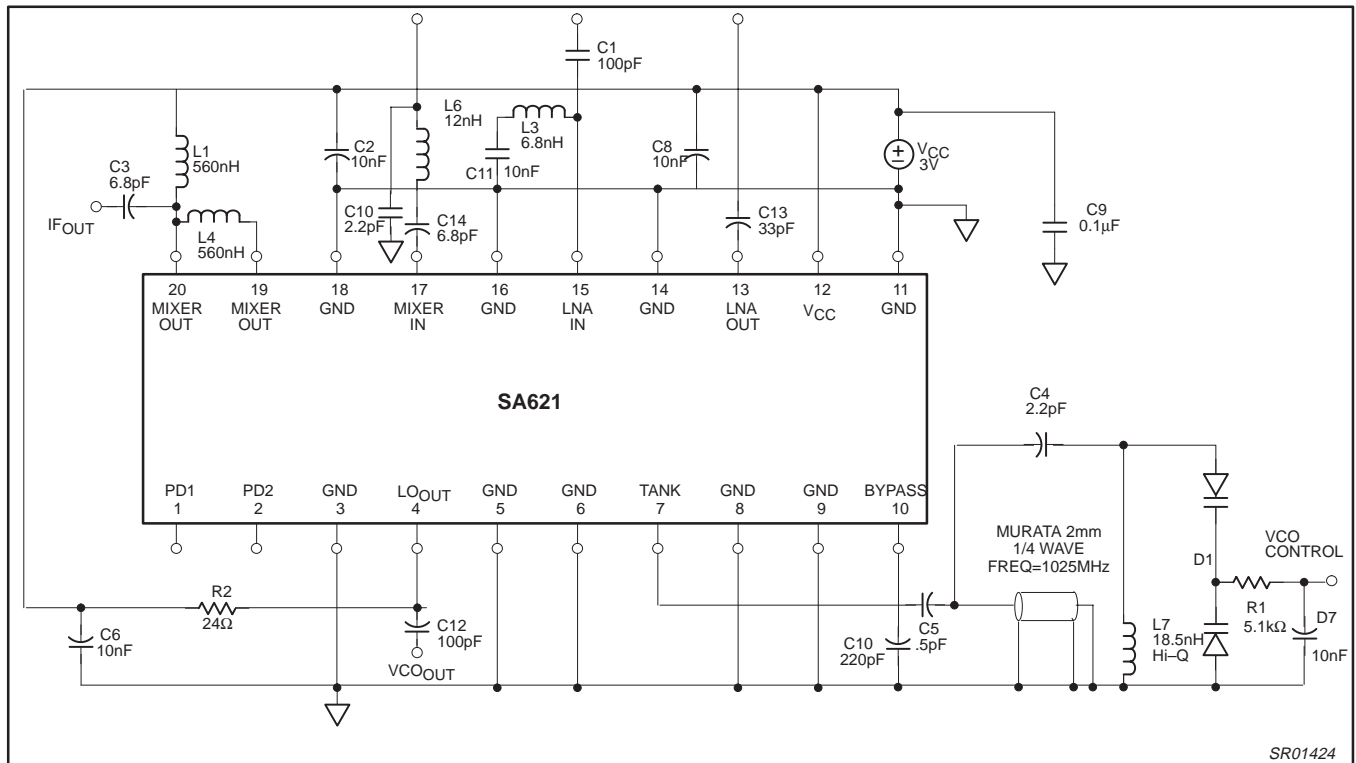
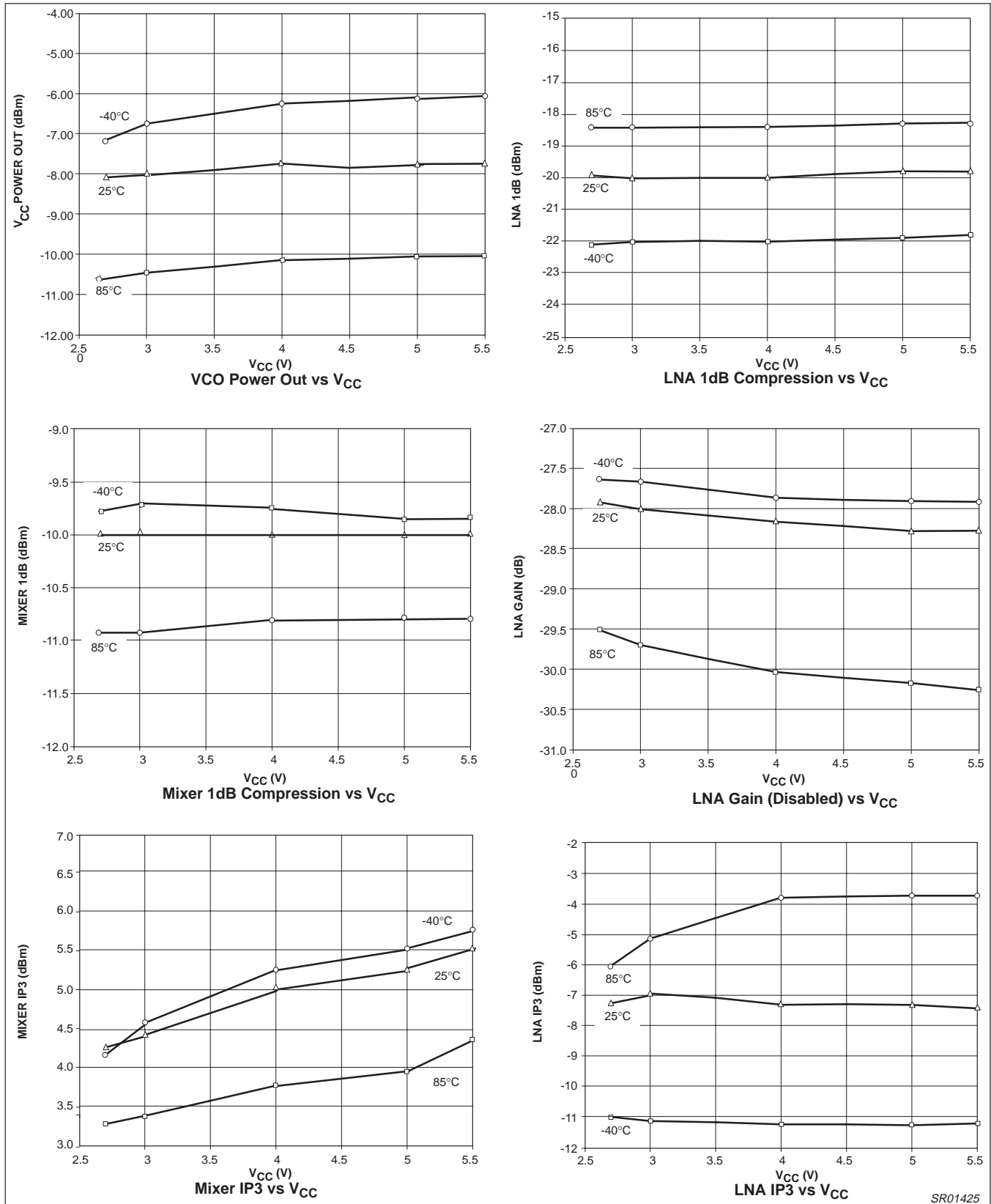


Figure 3. SA621 Applications Circuit

1GHz low voltage LNA, mixer and VCO

SA621

PERFORMANCE CHARACTERISTICS



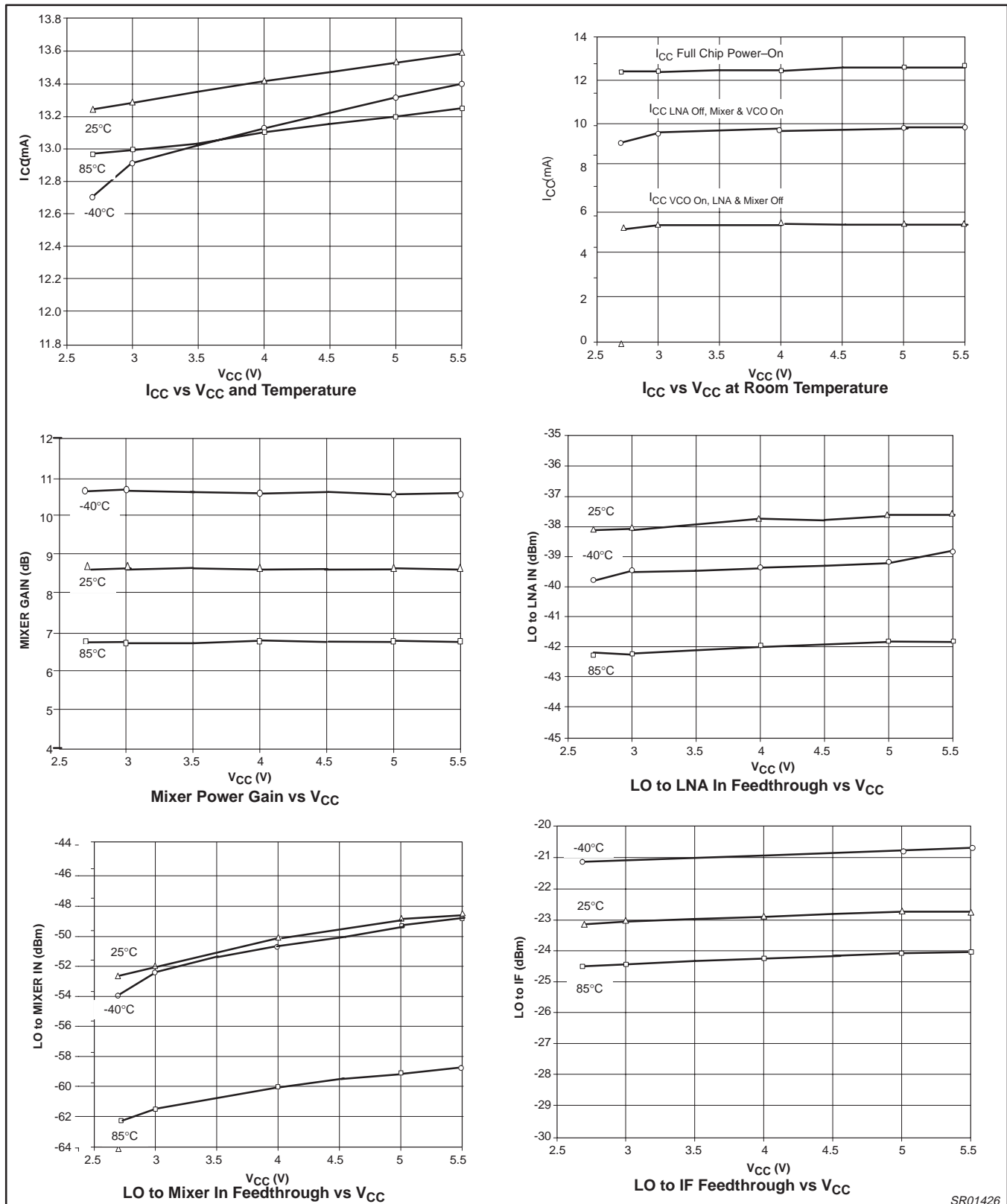
SR01425

Figure 4.

1GHz low voltage LNA, mixer and VCO

SA621

PERFORMANCE CHARACTERISTICS



SR01426

Figure 5.

1GHz low voltage LNA, mixer and VCO

SA621

PERFORMANCE CHARACTERISTICS

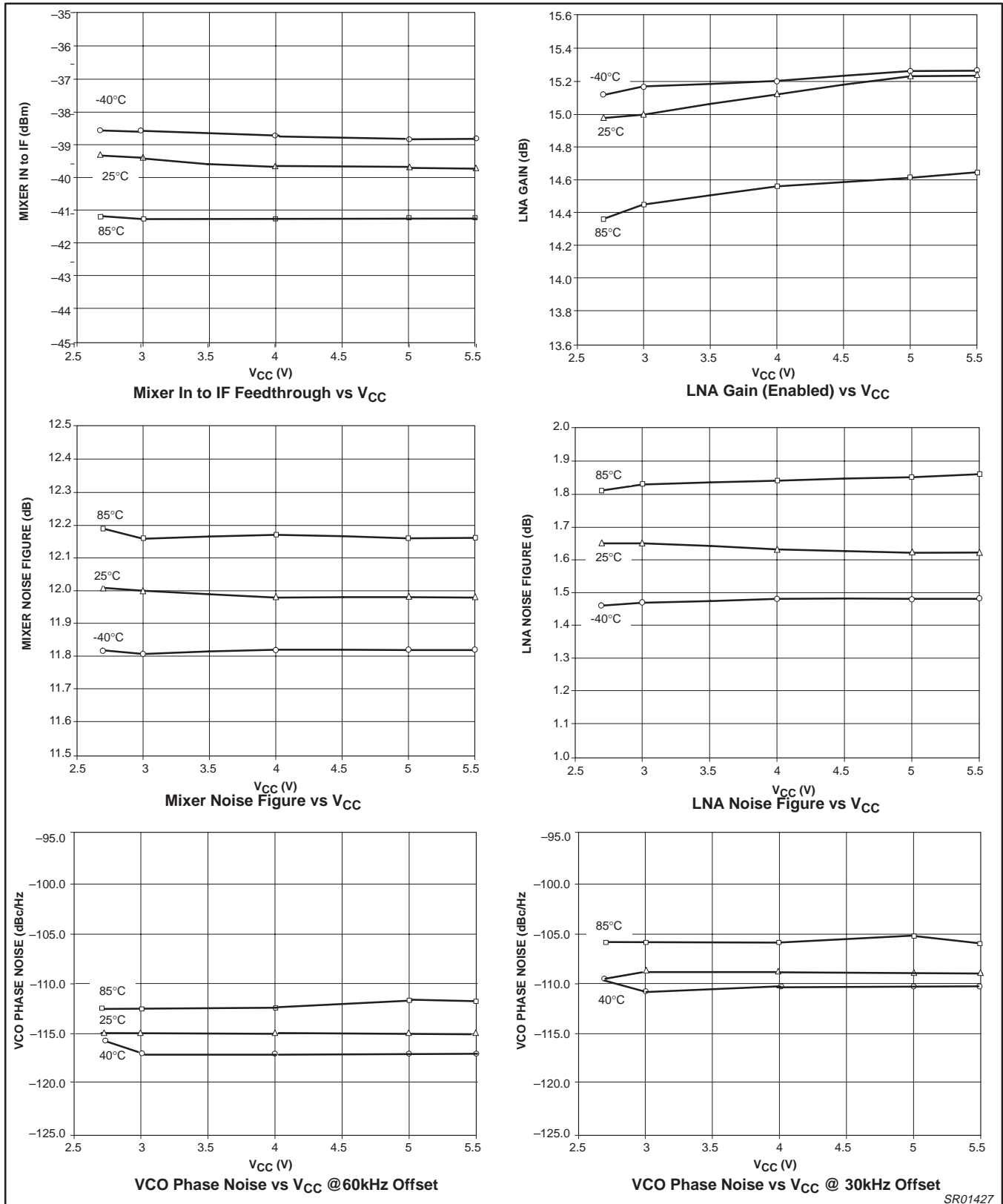


Figure 6.

SR01427

1GHz low voltage LNA, mixer and VCO

SA621

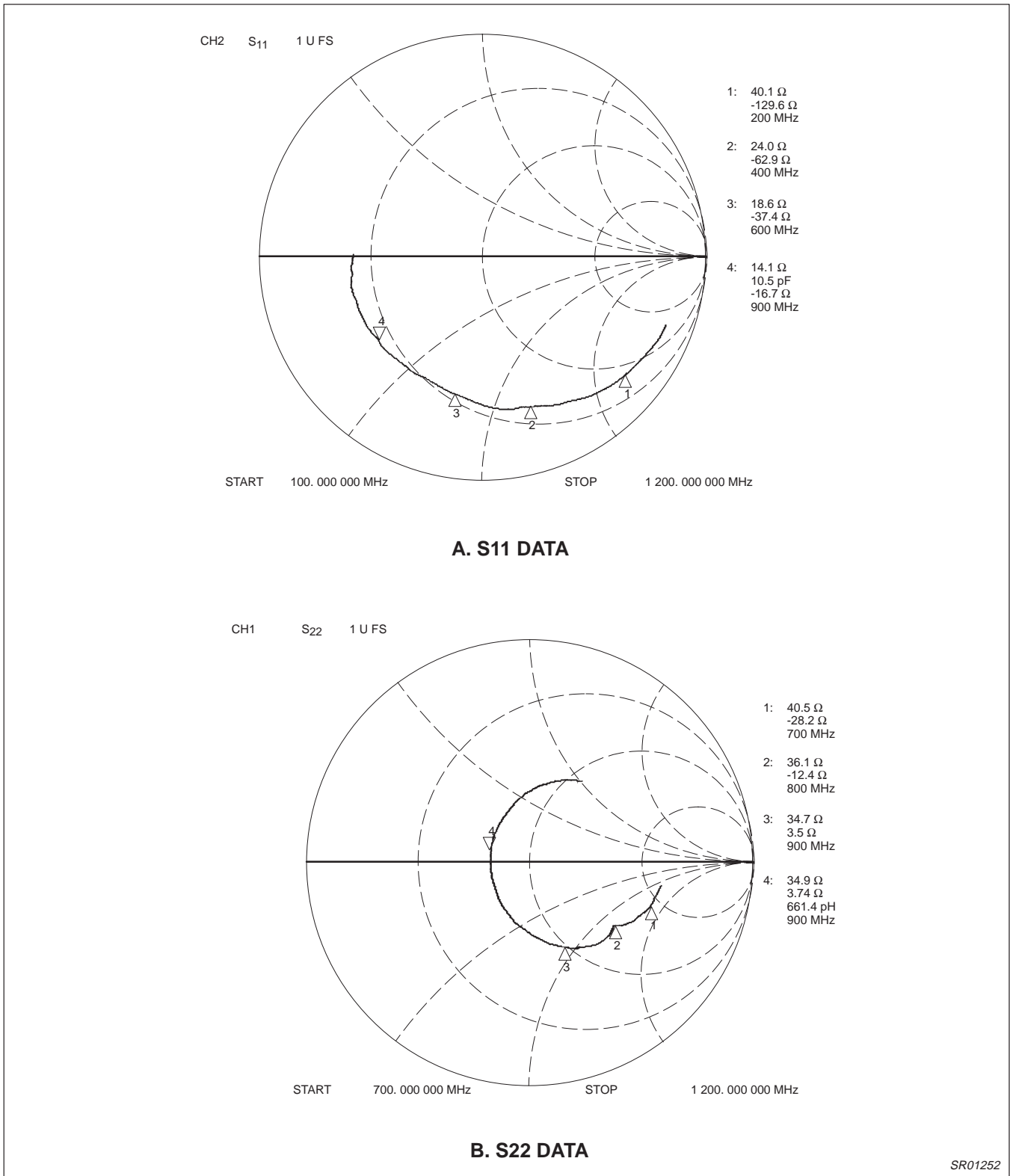


Figure 7. Typical S₁₁ of LNA at 3V

SR01252

1GHz low voltage LNA, mixer and VCO

SA621

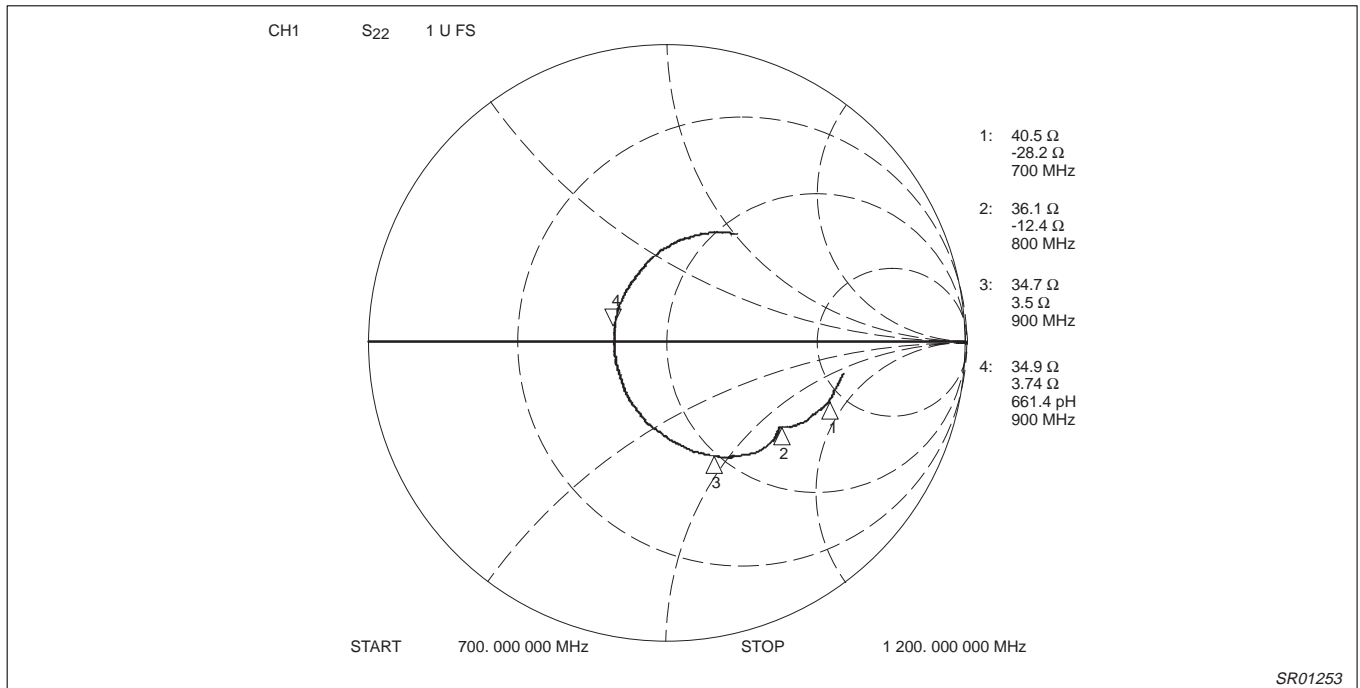


Figure 8. Typical S₂₂ of LNA at 3V

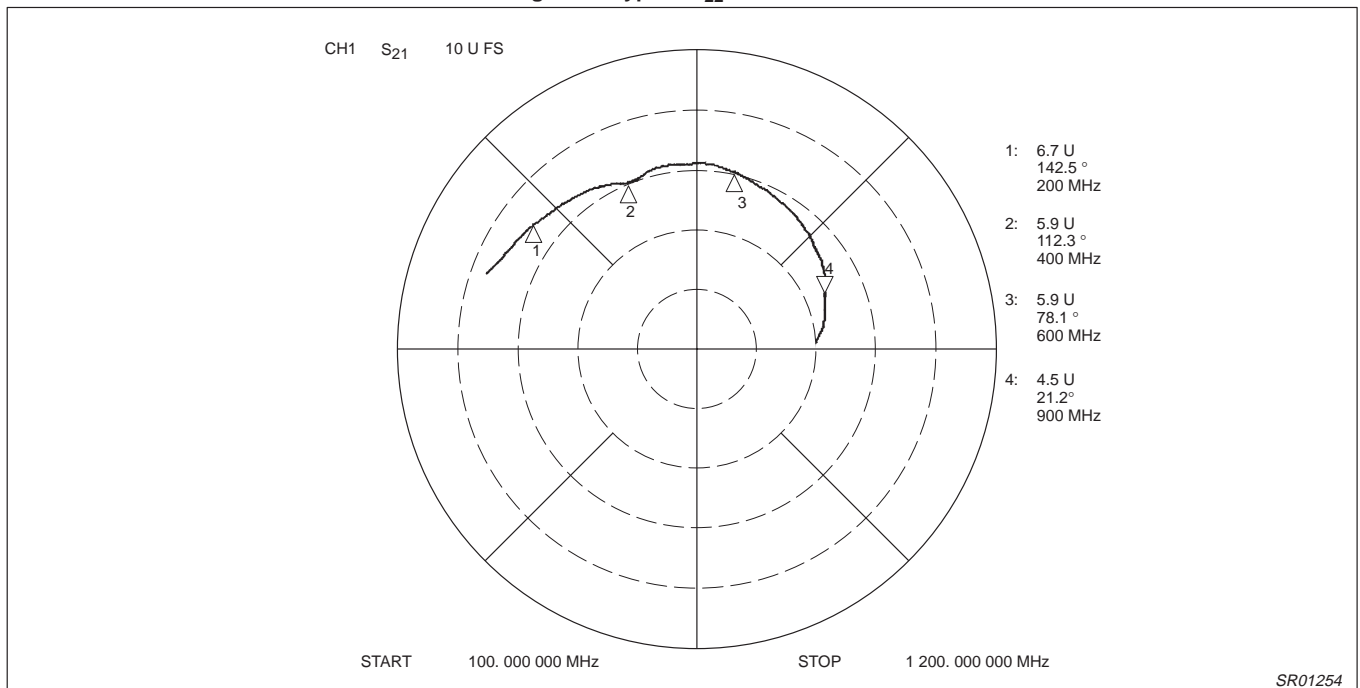


Figure 9. Typical S₂₁ of LNA at 3V

1GHz low voltage LNA, mixer and VCO

SA621

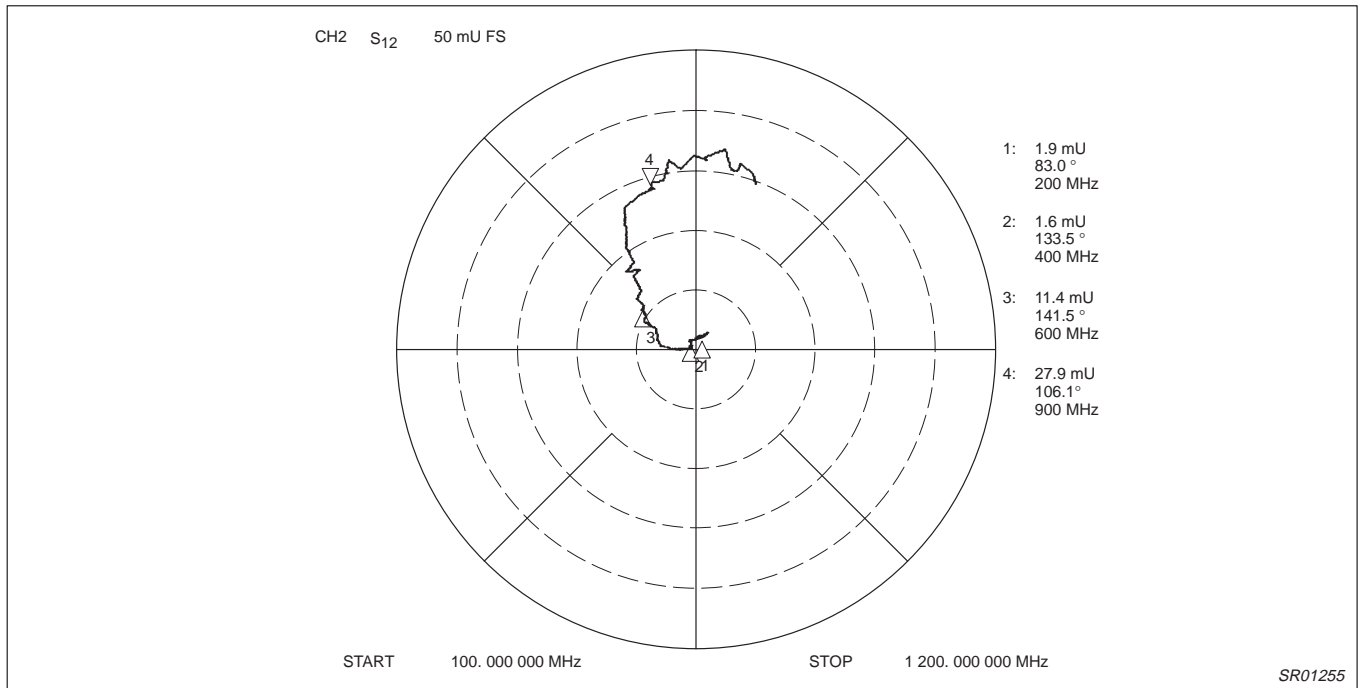


Figure 10. Typical S₁₂ of LNA at 3V

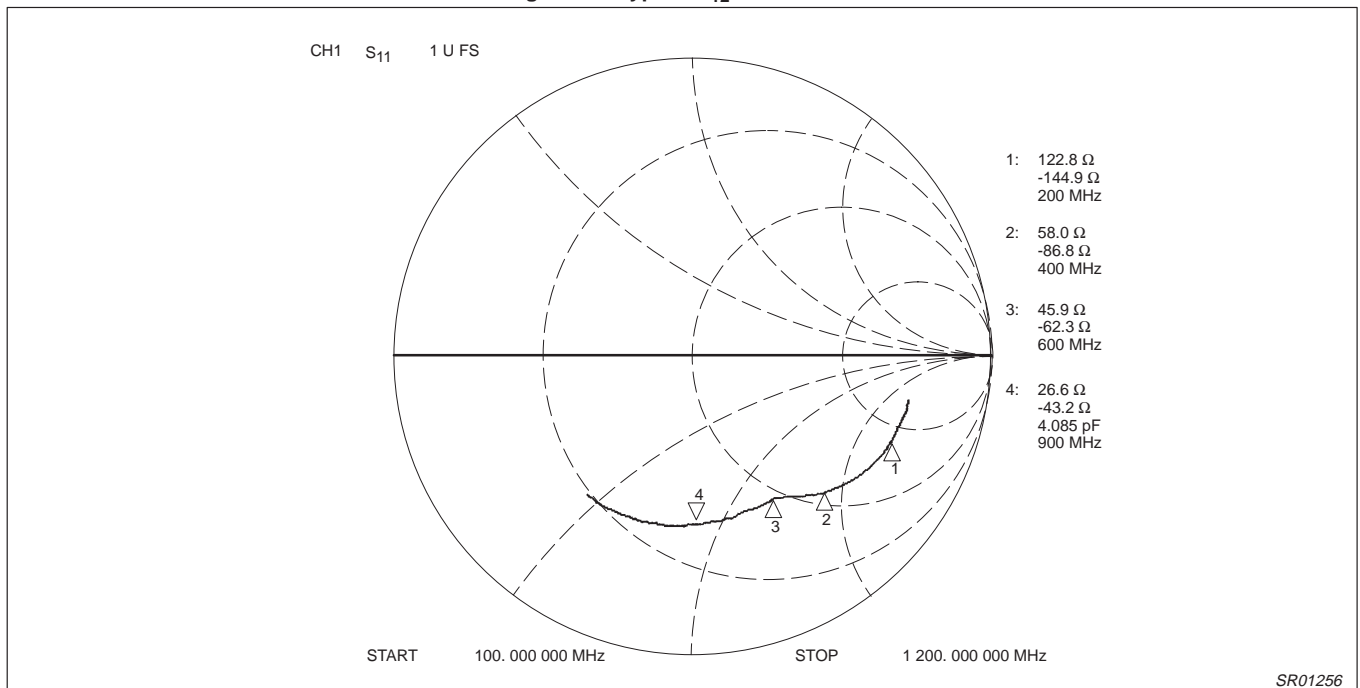


Figure 11. Typical S₁₁ of Mixer at 3V

1GHz low voltage LNA, mixer and VCO

SA621

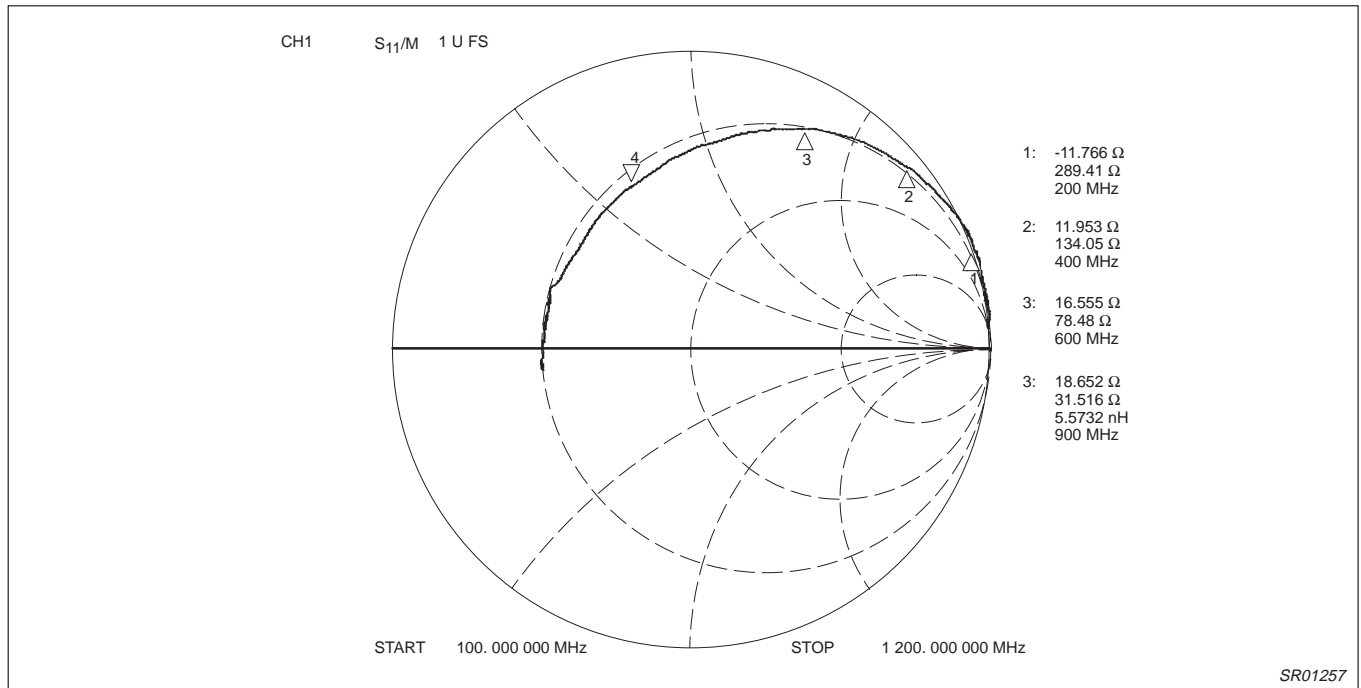


Figure 12. Typical 1/S₁₁ of VCO (Pin 7) at 3V

1GHz low voltage LNA, mixer and VCO

SA621

Table 2. Typical S-Parameters of LNA at 3V

LNA								
Freq (MHz)	$ S_{11} $ (U)	$\angle S_{11}$ (deg)	$ S_{21} $ (U)	$\angle S_{21}$ (deg)	$ S_{12} $ (U)	$\angle S_{12}$ (deg)	$ S_{22} $ (U)	$\angle S_{22}$ (deg)
100	0.86	-20	7.4	160	0.001	92	0.59	-10
122	0.86	-24	7.1	156	0.001	62	0.58	-12
144	0.85	-28	7.0	151	0.001	105	0.58	-14
166	0.83	-32	6.9	148	0.000	92	0.57	-16
188	0.82	-36	6.8	144	0.002	100	0.57	-18
210	0.81	-41	6.7	140	0.002	74	0.56	-20
232	0.80	-45	6.6	136	0.002	100	0.55	-22
254	0.79	-48	6.5	133	0.001	84	0.54	-25
276	0.78	-52	6.4	130	0.001	103	0.53	-27
298	0.76	-56	6.3	126	0.002	94	0.52	-29
320	0.75	-59	6.3	123	0.002	67	0.51	-31
342	0.73	-63	6.2	119	0.002	108	0.50	-33
364	0.71	-66	6.1	116	0.002	118	0.48	-35
386	0.70	-69	6.0	113	0.001	103	0.47	-36
408	0.69	-72	5.9	111	0.001	176	0.46	-37
430	0.68	-76	5.9	109	0.004	174	0.45	-37
452	0.69	-78	6.0	106	0.006	162	0.46	-38
474	0.68	-82	6.1	102	0.007	160	0.47	-42
496	0.67	-85	6.1	97	0.008	153	0.47	-46
518	0.66	-89	6.1	93	0.010	146	0.46	-50
540	0.65	-92	6.1	89	0.009	142	0.45	-55
562	0.63	-96	6.1	85	0.010	138	0.43	-59
584	0.62	-99	6.0	81	0.011	146	0.42	-64
606	0.62	-102	5.9	77	0.011	141	0.40	-69
628	0.61	-104	5.8	72	0.013	137	0.38	-73
650	0.61	-107	5.7	69	0.013	131	0.36	-78
672	0.60	-109	5.7	65	0.016	130	0.34	-84
694	0.60	-112	5.6	61	0.016	132	0.31	-90
716	0.59	-115	5.5	57	0.017	129	0.29	-97
738	0.59	-118	5.5	53	0.019	128	0.27	-104
760	0.59	-121	5.3	48	0.021	123	0.24	-113
782	0.59	-124	5.3	44	0.021	122	0.22	-122
804	0.59	-126	5.1	40	0.022	120	0.21	-133
826	0.59	-129	5.0	36	0.024	118	0.19	-145
848	0.59	-132	4.9	31	0.026	116	0.18	-159
870	0.59	-135	4.8	26	0.027	112	0.17	-175
892	0.59	-138	4.6	22	0.028	108	0.18	169
914	0.59	-142	4.5	18	0.028	106	0.19	155
936	0.59	-144	4.3	14	0.028	106	0.20	142
958	0.59	-148	4.2	9	0.030	100	0.22	130
980	0.59	-151	4.0	4	0.031	99	0.24	120
1002	0.59	-153	3.8	0	0.031	95	0.26	111
1024	0.59	-157	3.6	-2	0.032	91	0.28	102
1046	0.59	-160	3.5	-6	0.032	86	0.30	95
1068	0.59	-164	3.3	-10	0.033	86	0.33	88
1090	0.59	-167	3.2	-14	0.033	81	0.35	82
1112	0.59	-170	3.0	-18	0.031	79	0.36	77
1134	0.58	-172	2.8	-22	0.030	46	0.38	72
1156	0.58	-175	2.7	-25	0.031	79	0.39	67
1178	0.57	-178	2.5	-28	0.031	74	0.41	63
1200	0.57	178	2.4	-31	0.029	72	0.42	59

1GHz low voltage LNA, mixer and VCO

SA621

Table 3. Typical S-Parameters of Mixer at 3V

Mixer		
Freq (MHz)	$ S_{11} $ (U)	$\angle S_{11}$ (deg)
100	0.73	-11
122	0.73	-147
144	0.72	-16
166	0.72	-19
188	0.72	-21
210	0.71	-24
232	0.70	-27
254	0.70	-29
276	0.69	-32
298	0.68	-34
320	0.67	-37
342	0.66	-39
364	0.64	-42
386	0.63	-44
408	0.62	-46
430	0.61	-48
452	0.59	-50
474	0.58	-52
496	0.57	-53
518	0.56	-54
540	0.55	-56
562	0.55	-57
584	0.54	-59
606	0.54	-61
628	0.54	-62
650	0.54	-64

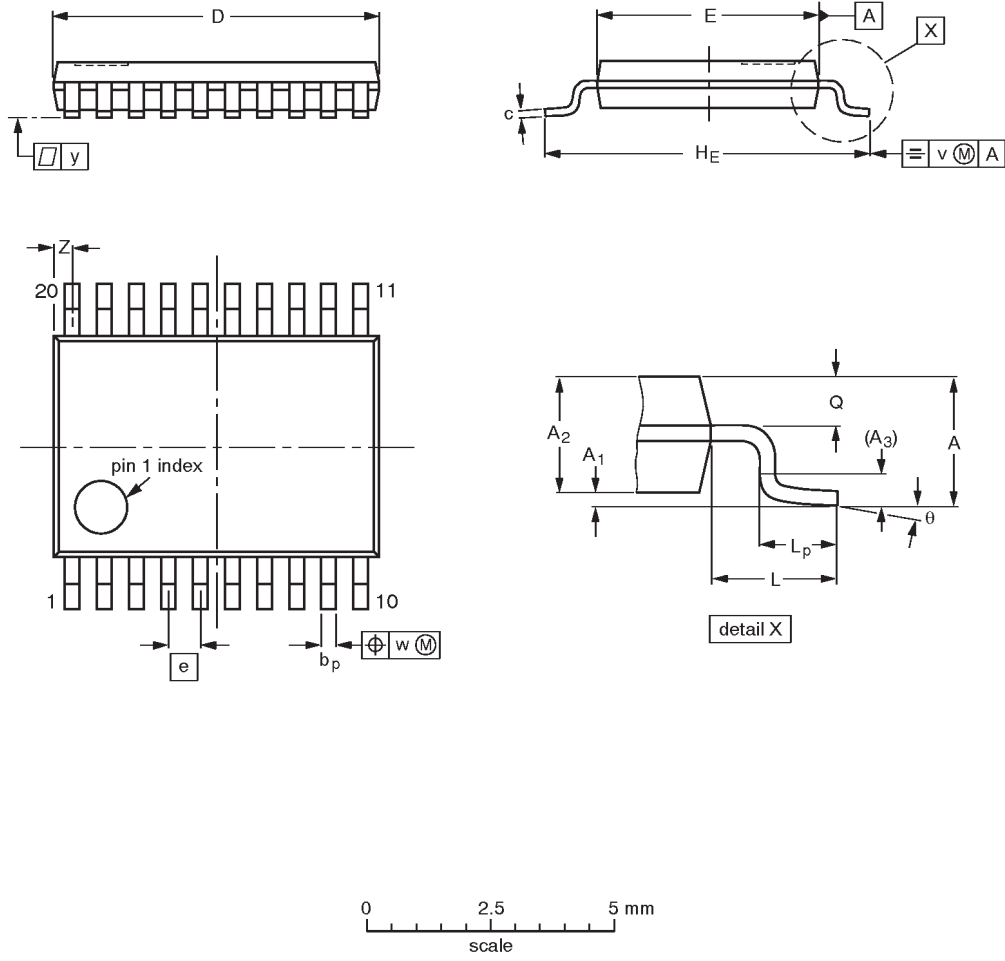
Mixer		
Freq (MHz)	$ S_{11} $ (U)	$\angle S_{11}$ (deg)
672	0.54	-65
694	0.54	-67
716	0.54	-69
738	0.54	-71
760	0.54	-73
782	0.55	-76
804	0.55	-78
826	0.55	-80
848	0.55	-82
870	0.55	-85
892	0.56	-87
914	0.55	-90
936	0.56	-93
958	0.56	-96
980	0.56	-98
1002	0.56	-101
1024	0.57	-104
1046	0.57	-106
1068	0.57	-110
1090	0.57	-112
1112	0.57	-115
1134	0.57	-118
1156	0.57	-121
1178	0.57	-124
1200	0.57	-127

1GHz low voltage dLNA, mixer and VCO

SA621

TSSOP20: plastic thin shrink small outline package; 20 leads; body width 4.4 mm

SOT360-1



DIMENSIONS (mm are the original dimensions)

UNIT	A max.	A ₁	A ₂	A ₃	b _p	c	D ⁽¹⁾	E ⁽²⁾	e	H _E	L	L _p	Q	v	w	y	Z ⁽¹⁾	θ
mm	1.10	0.15 0.05	0.95 0.80	0.25	0.30 0.19	0.2 0.1	6.6 6.4	4.5 4.3	0.65	6.6 6.2	1.0	0.75 0.50	0.4 0.3	0.2	0.13	0.1	0.5 0.2	8° 0°

Notes

1. Plastic or metal protrusions of 0.15 mm maximum per side are not included.
2. Plastic interlead protrusions of 0.25 mm maximum per side are not included.

OUTLINE VERSION	REFERENCES				EUROPEAN PROJECTION	ISSUE DATE
	IEC	JEDEC	EIAJ			
SOT360-1		MO-153AC				-93-06-16 95-02-04

1GHz low voltage dLNA, mixer and VCO

SA621

DEFINITIONS

Data Sheet Identification	Product Status	Definition
<i>Objective Specification</i>	Formative or in Design	This data sheet contains the design target or goal specifications for product development. Specifications may change in any manner without notice.
<i>Preliminary Specification</i>	Preproduction Product	This data sheet contains preliminary data, and supplementary data will be published at a later date. Philips Semiconductors reserves the right to make changes at any time without notice in order to improve design and supply the best possible product.
<i>Product Specification</i>	Full Production	This data sheet contains Final Specifications. Philips Semiconductors reserves the right to make changes at any time without notice, in order to improve design and supply the best possible product.

Philips Semiconductors and Philips Electronics North America Corporation reserve the right to make changes, without notice, in the products, including circuits, standard cells, and/or software, described or contained herein in order to improve design and/or performance. Philips Semiconductors assumes no responsibility or liability for the use of any of these products, conveys no license or title under any patent, copyright, or mask work right to these products, and makes no representations or warranties that these products are free from patent, copyright, or mask work right infringement, unless otherwise specified. Applications that are described herein for any of these products are for illustrative purposes only. Philips Semiconductors makes no representation or warranty that such applications will be suitable for the specified use without further testing or modification.

LIFE SUPPORT APPLICATIONS

Philips Semiconductors and Philips Electronics North America Corporation Products are not designed for use in life support appliances, devices, or systems where malfunction of a Philips Semiconductors and Philips Electronics North America Corporation Product can reasonably be expected to result in a personal injury. Philips Semiconductors and Philips Electronics North America Corporation customers using or selling Philips Semiconductors and Philips Electronics North America Corporation Products for use in such applications do so at their own risk and agree to fully indemnify Philips Semiconductors and Philips Electronics North America Corporation for any damages resulting from such improper use or sale.

Philips Semiconductors
811 East Arques Avenue
P.O. Box 3409
Sunnyvale, California 94088-3409
Telephone 800-234-7381

Philips Semiconductors and Philips Electronics North America Corporation register eligible circuits under the Semiconductor Chip Protection Act.
 © Copyright Philips Electronics North America Corporation 1996
 All rights reserved. Printed in U.S.A.

Let's make things better.

Philips
Semiconductors



PHILIPS