

## RS-232 LINE DRIVER/RECEIVER

The  $\mu$ PD4726 is a high-voltage silicon gate CMOS line driver/receiver conforming to EIA/TIA-232-E Standards. It contains a DC/DC converter and can operate with a +5 V single power supply. In addition, it is also provided with ancillary functions such as a standby function.

This IC is equipped with four driver circuits and seven receiver circuits and can configure a simple RS-232 interface circuit with only four external capacitors.

**FEATURES**

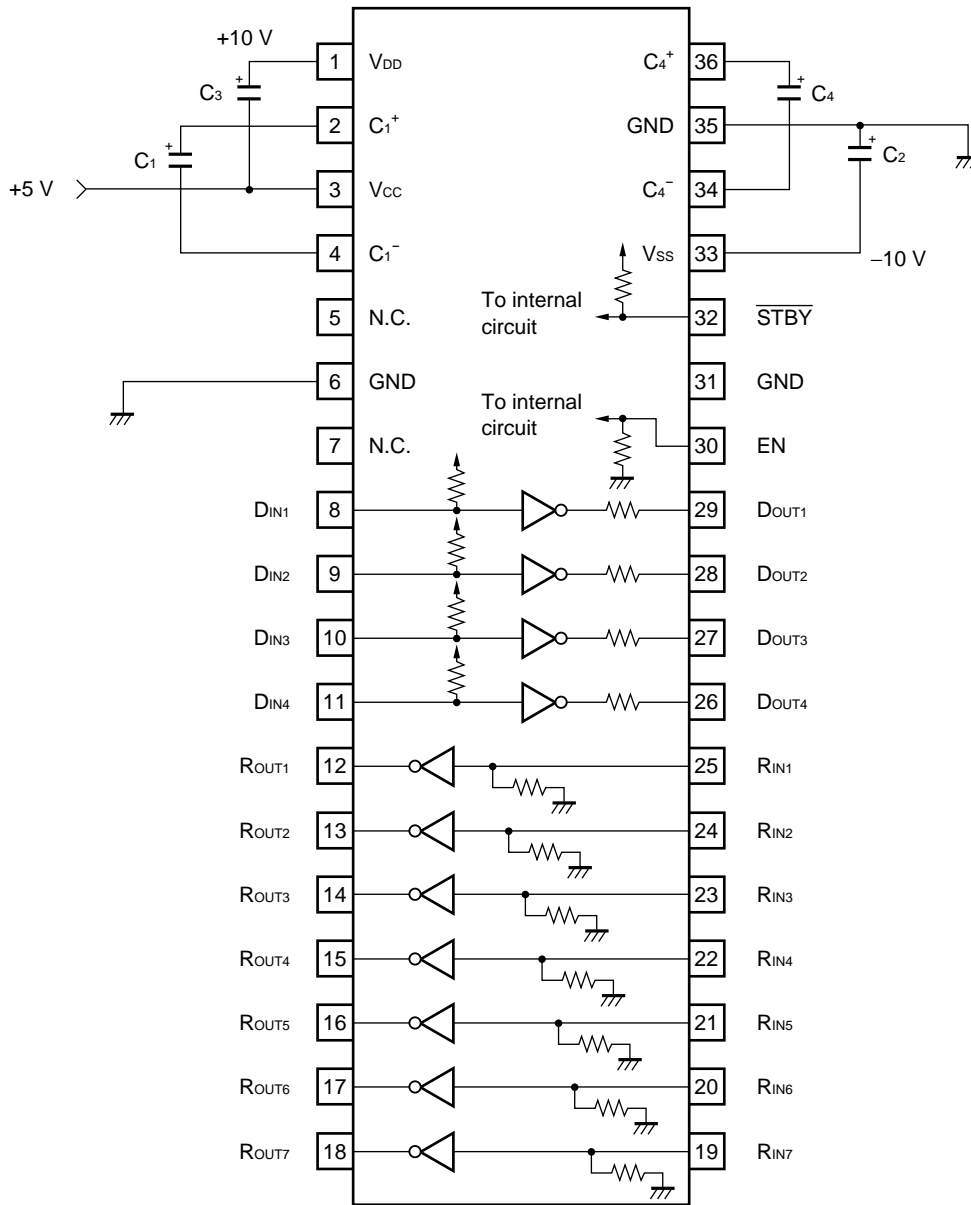
- Conforms to EIA/TIA-32-E (old RS-232C) Standards
- +5 V single power supply
- A standby mode can be set by making the standby pin low to reduce the power dissipation. At this time, the driver outputs go into a high-impedance state.
- Two receiver circuits can operate as inverters without a hysteresis width even in the standby mode. The remaining five receiver circuits are fixed to the high level.

**ORDERING INFORMATION**

Part Number	Package	Quality Grade
$\mu$ PD4726GS-BAF	36-pin plastic SSOP (300 mil)	Standard

Please refer to "Quality grade on NEC Semiconductor Devices" (Document number IEI-1209) published by NEC Corporation to know the specification of quality grade on the devices and its recommended applications.

**BLOCK DIAGRAM/PIN CONFIGURATION (Top View)**



- Notes 1.** V<sub>DD</sub> and V<sub>SS</sub> output internally boosted voltages. Do not connect a load directly to these pins.
- 2.** It is recommended that capacitors having a breakdown voltage of 20 V or higher be used as C<sub>1</sub> through C<sub>5</sub>. Inserting a bypass capacitor of 0.1 to 1 μF in between V<sub>CC</sub> and GND is also recommended.
- 3.** Be sure to connect all the GND pins. Especially, make sure that pin 31 is connected; otherwise, the μPD4726 will not operate normally. Be sure to leave the NC pins (pins 5 and 7) open.
- 4.** The pull-up resistors for D<sub>IN1</sub> through D<sub>IN4</sub> and STBY and the pull-down resistor for EN are active resistors.

**TRUTH TABLE**

**Drivers**

$\overline{\text{STBY}}$	D <sub>IN</sub>	D <sub>OUT</sub>	Remarks
L	×	Z	Standby mode (DC/DC converter stops.)
H	L	H	Space level output
H	H	L	Mark level output

**Receivers**

$\overline{\text{STBY}}$	EN	R <sub>IN</sub>		R <sub>OUT</sub>		Remarks
		R <sub>6</sub> - R <sub>7</sub>	R <sub>1</sub> - R <sub>5</sub>	R <sub>6</sub> - R <sub>7</sub>	R <sub>1</sub> - R <sub>5</sub>	
L	L	×	×	H	H	Standby mode 1 (DC/DC converter stops.)
L	H	L	×	H	H	Standby mode 2 (DC/DC converter stops. R <sub>6</sub> and R <sub>7</sub> operate.)
L	H	H	×	L	H	
H	×	L		H		Mark level input
H	×	H		L		Space level input

H: high level

L: low level

Z: high impedance

×: H or L

**ABSOLUTE MAXIMUM RATING (T<sub>a</sub> = 25 °C)**

Parameter	Symbol	Ratings	Unit
Supply voltage	V <sub>CC</sub>	-0.5 to +7.0	V
Driver input voltage	D <sub>IN</sub>	-0.5 to V <sub>CC</sub> + 0.5	V
Receiver input voltage	R <sub>IN</sub>	-30.0 to +30.0	V
Control input voltage (STBY, EN)	V <sub>IN</sub>	-0.5 to V <sub>CC</sub> + 0.5	V
Driver output voltage	D <sub>OUT</sub>	-25.0 to +25.0 <sup>Note 5</sup>	V
Receiver output voltage	R <sub>OUT</sub>	-0.5 to V <sub>CC</sub> + 0.5	V
Input current (D <sub>IN</sub> , STBY, EN)	I <sub>IN</sub>	±20.0	mA
Operating ambient temperature	T <sub>opt.</sub>	-40 to +85	°C
Storage temperature	T <sub>stg.</sub>	-55 to +150	°C
Permissible package power dissipation	P <sub>T</sub>	0.5	W

**Note 5.** Pulse width: 1 ms, duty cycle: 10 % MAX.

**RECOMMENDED OPERATING CONDITIONS**

Parameter	Symbol	MIN.	TYP.	MAX.	Unit
Supply voltage (V <sub>CHA</sub> = L)	V <sub>CC</sub>	4.5	5.0	5.5	V
Input voltage, high (D <sub>IN</sub> )	V <sub>IH</sub>	2.0		V <sub>CC</sub>	V
Input voltage, low (D <sub>IN</sub> )	V <sub>IL</sub>	0		0.8	V
Input voltage, high (STBY, EN)	V <sub>IH</sub>	2.4		V <sub>CC</sub>	V
Input voltage, low (STBY, EN)	V <sub>IL</sub>	0		0.8	V
Receiver input voltage	R <sub>IN</sub>	-30		+30	V
Operating ambient temperature	T <sub>opt.</sub>	-40		+85	°C
External capacitance (nominal value)	<b>Note 6</b>	1		4.7	μF

**Note 6.** Use capacitors whose capacitance fluctuation is within ±50 % including fluctuations due to temperature and tolerance (effective value: 0.5 to 7.05 μF).

Use of capacitors with excellent high-frequency characteristics (such as multilayer ceramic capacitors, tantalum capacitors, and aluminum electrolytic capacitors for switching power supply) is recommended. Keep the wiring length between a capacitor and an IC pin as short as possible.

**ELECTRICAL SPECIFICATIONS (CHIP)**

(Unless otherwise specified,  $T_a = -40$  to  $+85$  °C,  $C_1$  through  $C_5 = 1$  μF)

Parameter	Symbol	Conditions	MIN.	TYP.	MAX.	Unit
Circuit current	I <sub>CC1</sub>	V <sub>CC</sub> = +5.0 V, no load, R <sub>IN</sub> pin open, $\overline{STBY} = H$			12	mA
Circuit current	I <sub>CC2</sub>	V <sub>CC</sub> = +5.0 V, R <sub>L</sub> = 3 kΩ (D <sub>OUT</sub> ), D <sub>IN</sub> = GND, R <sub>IN</sub> , R <sub>OUT</sub> pins open, $\overline{STBY} = H$			38	mA
Circuit current in standby mode (standby mode 1)	I <sub>CC3</sub>	V <sub>CC</sub> = +5.0 V, no load, D <sub>IN</sub> , R <sub>IN</sub> pins open, $\overline{STBY} = L$ , EN = L, T <sub>a</sub> = 25 °C		9	20	μA
		V <sub>CC</sub> = +5.0 V, no load, D <sub>IN</sub> , R <sub>IN</sub> pins open, $\overline{STBY} = L$ , EN = L,		15		μA
Circuit current in standby mode (standby mode 2)	I <sub>CC4</sub>	V <sub>CC</sub> = +5.0 V, no load, D <sub>IN</sub> , R <sub>IN</sub> pins open, $\overline{STBY} = L$ , EN = H, T <sub>a</sub> = 25 °C		9	20	μA
		V <sub>CC</sub> = +5.0 V, no load, D <sub>IN</sub> , R <sub>IN</sub> pins open, $\overline{STBY} = L$ , EN = H, T <sub>a</sub> = 25 °C		15		μA
Input voltage, high	V <sub>IH</sub>	$\overline{STBY}$ , EN pins, V <sub>CC</sub> = +4.5 to +5.5 V	2.4			V
Input voltage, low	V <sub>IL</sub>	$\overline{STBY}$ , EN pins, V <sub>CC</sub> = +4.5 to +5.5 V			0.8	V
Input current, high	I <sub>IH</sub>	$\overline{STBY}$ pin, V <sub>CC</sub> = +5.5 V, V <sub>I</sub> = +5.5 V			1	μA
Input current, low	I <sub>IL</sub>	$\overline{STBY}$ pin, V <sub>CC</sub> = +5.5 V, V <sub>I</sub> = 0 V			-40	μA
Input current, high	I <sub>IH</sub>	EN pin, V <sub>CC</sub> = +5.5 V, V <sub>I</sub> = +5.5 V			40	μA
Input current, low	I <sub>IL</sub>	EN pin, V <sub>CC</sub> = +5.5 V, V <sub>I</sub> = 0 V			-1	μA
Input capacitance	C <sub>IN</sub>	Driver inputs and receiver inputs, V <sub>CC</sub> = +5.0 V, vs. GND, f = 1 MHz			10	pF

**Remark** TYP. value is a reference value at T<sub>a</sub> = 25 °C.

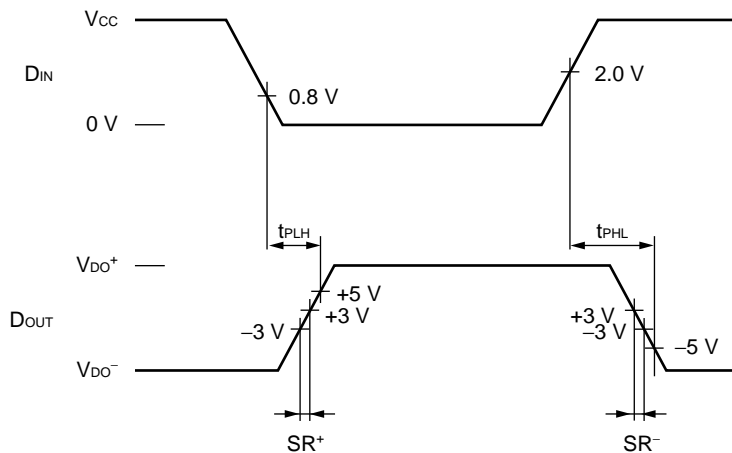
**ELECTRICAL SPECIFICATIONS (DRIVERS)**

(Unless otherwise specified,  $T_a = -40$  to  $+85$  °C,  $V_{CC} = +5.0$  V  $\pm 10$  %,  $C_1$  through  $C_5 = 1$  μF)

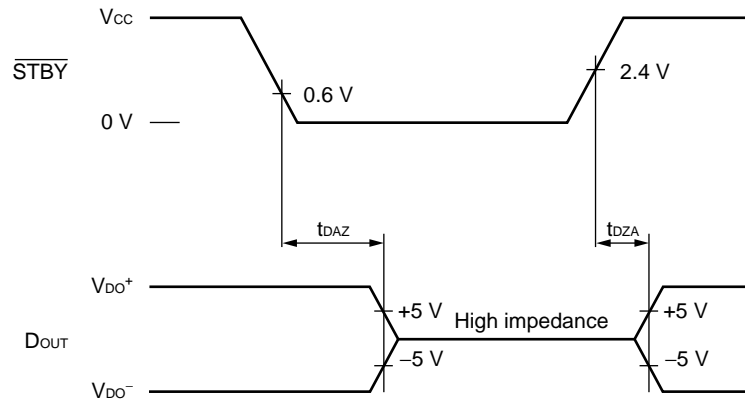
Parameter	Symbol	Conditions	MIN.	TYP.	MAX.	Unit
Input voltage, low	$V_{IL}$				0.8	V
Input voltage, high	$V_{IH}$		2.0			V
Input current, low	$I_{IL}$				-40	μA
Input current, high	$I_{IH}$				1.0	μA
Output voltage	$V_{DO}$	$V_{CC} = +5.0$ V, $R_L = \infty$ , $T_a = 25$ °C		±9.7		V
		$V_{CC} = +5.0$ V, $R_L = 3$ kΩ, $T_a = T_{opt.}$	±5.5			V
		$V_{CC} = +4.5$ V, $R_L = 3$ kΩ, $T_a = T_{opt.}$	±5.0			V
Output short current	$I_{SC}$	$V_{CC} = +5.0$ V, vs. GND			±40	mA
Slew rate	SR	$C_L = 10$ pF, $R_L = 3$ to $7$ kΩ	4.0		30	V/μs
		$C_L = 2$ 500 pF, $R_L = 3$ to $7$ kΩ	4.0		30	V/μs
Propagation delay time <sup>Note 8</sup>	$t_{PHL}$	$R_L = 3$ kΩ, $C_L = 2$ 500 pF		2		μs
	$t_{PLH}$					
Output resistance	$R_0$	$V_{CC} = V_{DD} = V_{SS} = 0$ V $V_{OUT} = \pm 2$ V	300			Ω
Standby output transition time	$t_{DAZ}$	$R_L = 3$ kΩ, $C_L = 2500$ pF, <sup>Note 9</sup>		4	10	μs
Standby output transition time	$t_{DZA}$	$R_L = 3$ kΩ, $C_L = 2500$ pF, <sup>Note 9</sup>		0.5	1	ms
Power-ON output transition time	$t_{PRA}$	$R_L = 3$ kΩ, $C_L = 2500$ pF, <sup>Note 10</sup>		0.5	1	ms

**Remark** TYP. value is a reference value at  $T_a = 25$  °C.

**Note 8. Test point**

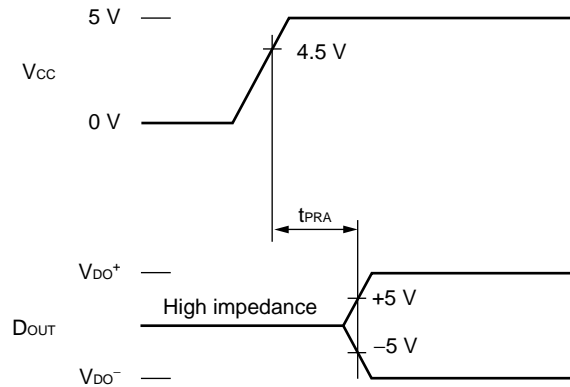


**Note 9. Test point**



The driver output is undefined during the standby output transition time  $t_{DAZ}$ . Do not perform communication within the standby output transition time  $t_{DAZ}$  after the standby mode has been released.

**Note 10. Test point**



The driver output is undefined during the power-ON output transition time  $t_{PRA}$ . Do not perform communication within the power-ON output transition time  $t_{PRA}$  on power application.

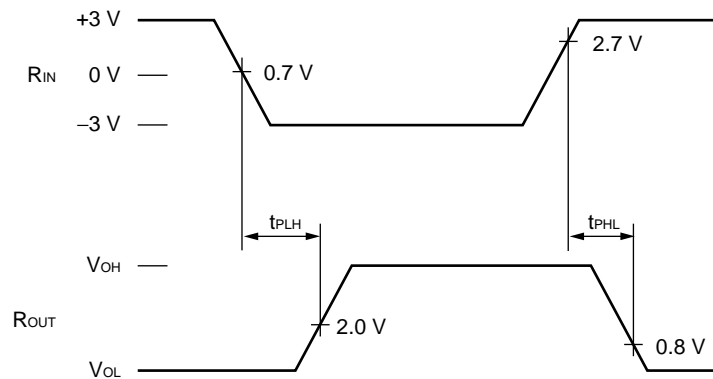
**ELECTRICAL SPECIFICATIONS (RECEIVERS)**

(Unless otherwise specified,  $V_{CC} = 4.5$  to  $5.5$  V,  $T_a = -40$  to  $+85$  °C,  $C_1$  through  $C_5 = 1$  μF)

Parameter	Symbol	Conditions	MIN.	TYP.	MAX.	Unit
Output voltage, low ( $\overline{STBY} = H$ )	$V_{OL1}$	$I_{OUT} = 4$ mA			0.4	V
Output voltage, high ( $\overline{STBY} = H$ )	$V_{OH1}$	$I_{OUT} = -4$ mA	$V_{CC} - 0.4$			V
Output voltage, low ( $\overline{STBY} = L$ )	$V_{OL2}$	$I_{OUT} = 4$ mA			0.5	V
Output voltage, high ( $\overline{STBY} = L$ )	$V_{OH2}$	$I_{OUT} = -4$ mA	$V_{CC} - 0.5$			V
Propagation delay time ( $\overline{STBY} = H$ )	$t_{PHL}$ $t_{PLH}$	$R_{IN} \rightarrow R_{OUT}$ , $C_L = 150$ pF $V_{CC} = +4.5$ V, <b>Note 11</b>		0.2		μs
Propagation delay time ( $\overline{STBY} = L$ , $EN = H$ )	$t_{PHL}$ $t_{PLH}$	$R_{IN} \rightarrow R_{OUT}$ ( $R_6$ , $R_7$ ), $C_L = 150$ pF $V_{CC} = +4.5$ V, <b>Note 11</b>		0.1		μs
Propagation delay time ( $\overline{STBY} = L$ )	$t_{PHA}$ $t_{PAH}$	$EN \rightarrow R_{OUT}$ ( $R_6$ , $R_7$ ), $C_L = 150$ pF $V_{CC} = +4.5$ V, <b>Note 12</b>		100	300	ns
Input resistance	$R_i$		3	5.5	7	kΩ
Open voltage across input pins	$V_{IO}$				0.5	V
Input threshold voltage ( $\overline{STBY} = H$ )	$V_{IH}$	$V_{CC} = +4.5$ to $+5.5$ V	1.7	2.3	2.7	V
	$V_{IL}$	$V_{CC} = +4.5$ to $+5.5$ V	0.7	1.1	1.7	V
	$V_H$	$V_{CC} = +4.5$ to $+5.5$ V (hysteresis width)	0.5	1.2	1.8	V
Input threshold voltage ( $\overline{STBY} = L$ , $EN = H$ )	$V_{IH}$	$V_{CC} = +4.5$ to $+5.5$ V, $R_{IN6}$ , $R_{IN7}$	2.7	1.5		V
	$V_{IL}$	$V_{CC} = +4.5$ to $+5.5$ V, $R_{IN6}$ , $R_{IN7}$		1.5	0.7	V
Standby output transition time	$t_{DAH}$	<b>Note 13</b>		0.2	3	μs
Standby output transition time	$t_{DHA}$	<b>Note 13</b>		0.3	1	ms
Power-ON output transition time	$t_{PRA}$	<b>Note 14</b>		0.5	1	ms

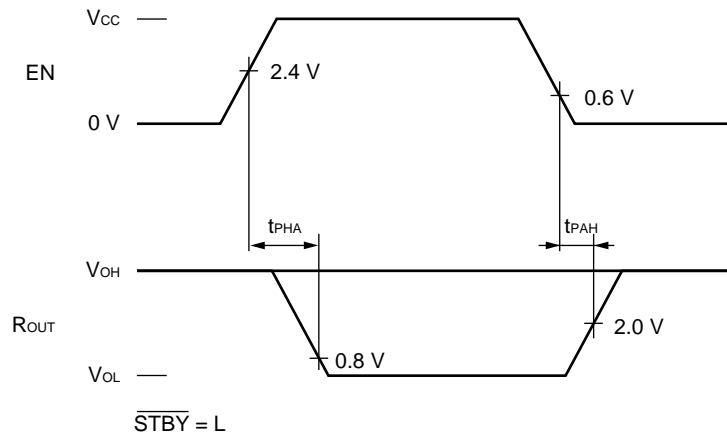
**Remark** TYP. value is a reference value at  $T_a = 25$  °C.

**Note 11. Test point**

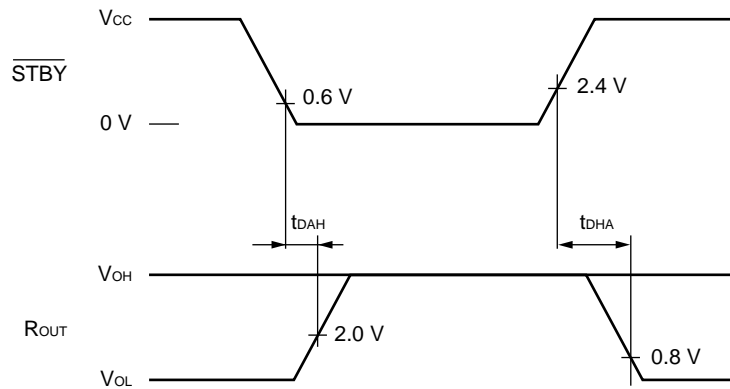




**Note 12. Test point**

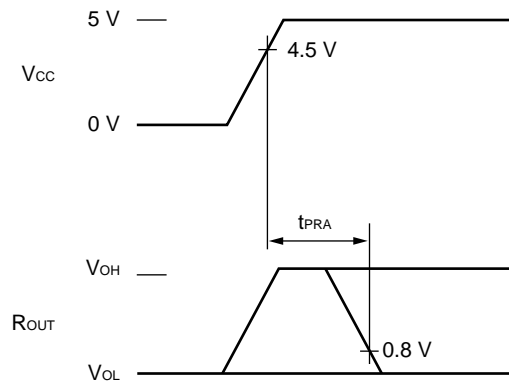


**Note 13. Test point**



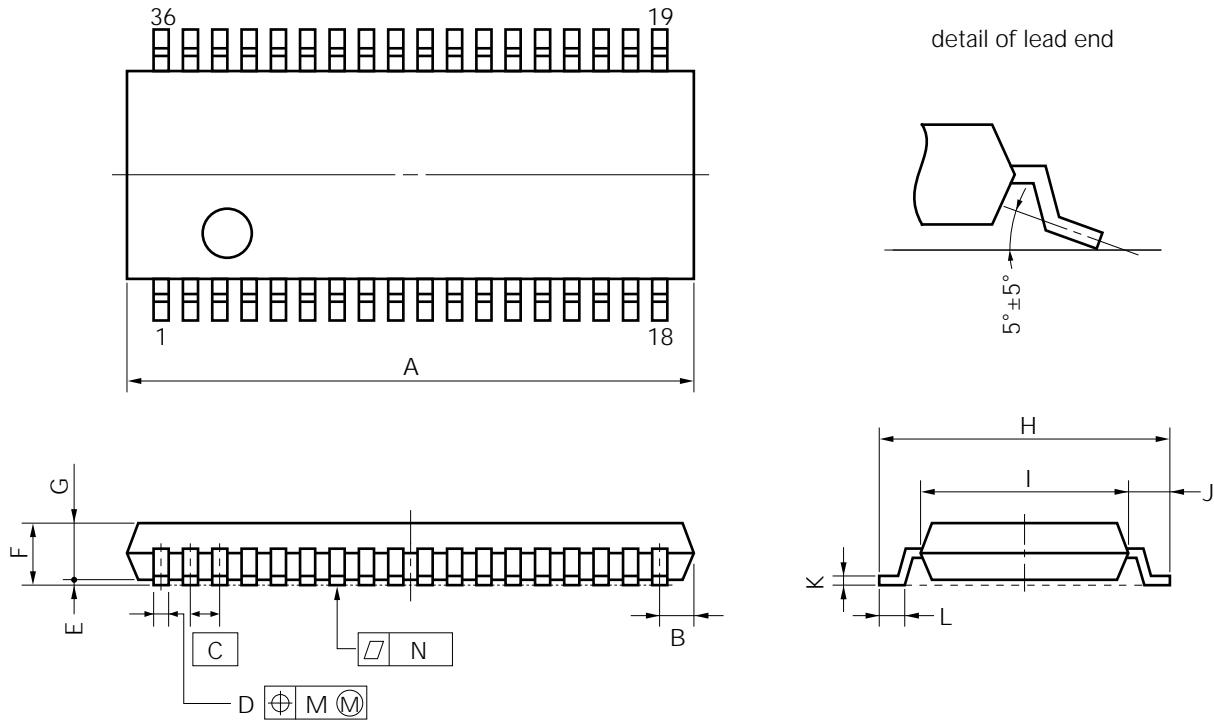
The receiver output is undefined during the standby output transition time t<sub>DHA</sub>. Do not perform communication within the standby output transition time t<sub>DHA</sub> after the standby mode has been released.

**Note 14. Test point**



The receiver output is undefined during the power-ON output transition time t<sub>PRA</sub>. Do not perform communication within the power-ON output transition time t<sub>PRA</sub> on power application.

36 PIN PLASTIC SHRINK SOP (300 mil)



**NOTE**

Each lead centerline is located within 0.10 mm (0.004 inch) of its true position (T.P.) at maximum material condition.

P36GM-80-300B-3

ITEM	MILLIMETERS	INCHES
A	15.54 MAX.	0.612 MAX.
B	0.97 MAX.	0.039 MAX.
C	0.8 (T.P.)	0.031 (T.P.)
D	0.35 <sup>+0.10</sup> <sub>-0.05</sub>	0.014 <sup>+0.004</sup> <sub>-0.003</sub>
E	0.125±0.075	0.005±0.003
F	1.8 MAX.	0.071 MAX.
G	1.55	0.061
H	7.7±0.3	0.303±0.012
I	5.6	0.220
J	1.1	0.043
K	0.20 <sup>+0.10</sup> <sub>-0.05</sub>	0.008 <sup>+0.004</sup> <sub>-0.002</sub>
L	0.6±0.2	0.024 <sup>+0.008</sup> <sub>-0.009</sub>
M	0.10	0.004
N	0.10	0.004

**RECOMMENDED SOLDERING CONDITIONS**

Solder and mount the μPD4726 under the following recommended conditions.  
Consult NEC for conditions other than those recommended.

**μPD4726GS-BAF**

Soldering method	Soldering conditions	Symbol
Infrared ray reflow	Peak temperature of package surface: 235 °C, Reflow time: Within 30 sec (210 °C or higher), Number of reflow process: 2, Exposure limit: None <sup>Note</sup>	IR35-00-2
VPS	Peak temperature of package surface: 215 °C, Reflow time: Within 40 sec (200 °C or higher), Number of reflow process: 2, Exposure limit: None <sup>Note</sup>	VP15-00-2
Wave soldering	Solder temperature: 260 °C or lower, Reflow time: Within 10 sec, Number of reflow process: 1, Exposure limit: None <sup>Note</sup>	WS60-00-1
Partial heating	Pin temperature: 300 °C or lower, Time: Within 10 sec, Exposure limit: None <sup>Note</sup>	

**Note** Exposure limit before soldering after dry-package is opened. Storage condition: 25 °C and relative humidity at 65 % or less.

**Caution** Do not use two or more soldering methods in combination (except the partial heating method).

**REFERENCE**

Document name	Document No.
Semiconductor Device Mounting Technology Manual	IEI-1207
Quality grade on NEC Semiconductor Devices	IEI-1209
NEC Semiconductor Device Reliability/Quality Control system	IEI-1212

No part of this document may be copied or reproduced in any form or by any means without the prior written consent of NEC Corporation. NEC Corporation assumes no responsibility for any errors which may appear in this document.

NEC Corporation does not assume any liability for infringement of patents, copyrights or other intellectual property rights of third parties by or arising from use of a device described herein or any other liability arising from use of such device. No license, either express, implied or otherwise, is granted under any patents, copyrights or other intellectual property rights of NEC Corporation or others.

While NEC Corporation has been making continuous effort to enhance the reliability of its semiconductor devices, the possibility of defects cannot be eliminated entirely. To minimize risks of damage or injury to persons or property arising from a defect in an NEC semiconductor device, customers must incorporate sufficient safety measures in its design, such as redundancy, fire-containment, and anti-failure features.

NEC devices are classified into the following three quality grades:

"Standard", "Special", and "Specific". The Specific quality grade applies only to devices developed based on a customer designated "quality assurance program" for a specific application. The recommended applications of a device depend on its quality grade, as indicated below. Customers must check the quality grade of each device before using it in a particular application.

Standard: Computers, office equipment, communications equipment, test and measurement equipment, audio and visual equipment, home electronic appliances, machine tools, personal electronic equipment and industrial robots

Special: Transportation equipment (automobiles, trains, ships, etc.), traffic control systems, anti-disaster systems, anti-crime systems, safety equipment and medical equipment (not specifically designed for life support)

Specific: Aircrafts, aerospace equipment, submersible repeaters, nuclear reactor control systems, life support systems or medical equipment for life support, etc.

The quality grade of NEC devices is "Standard" unless otherwise specified in NEC's Data Sheets or Data Books. If customers intend to use NEC devices for applications other than those specified for Standard quality grade, they should contact an NEC sales representative in advance.

Anti-radioactive design is not implemented in this product.