

**4M x 8 Bit NAND Flash Memory**

**FEATURES**

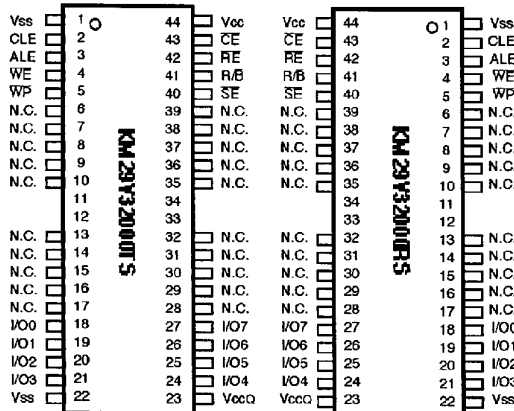
- Single 3.3-volt Supply
- Organization
  - Memory Cell Array : (4M +128K)bit x 8bit
  - Data Register : (512 + 16)bit x 8bit
- Automatic Program and Erase
  - Page Program : (512 + 16)Byte
  - Block Erase : (8K +256)Byte
  - Status Register
- 528-Byte Page Read Operation
  - Random Access : 10  $\mu$ s
  - Serial Page Access : 50 ns
- Fast Write Cycle Time
  - Program time : 250 $\mu$ s
  - Block Erase time : 5ms
- Command/Addresses/Data Multiplexed I/O Port
- Hardware Data Protection
  - Program/Erase Lockout During Power Transitions
- Reliable CMOS Floating-Gate Technology
  - Endurance :1M Program/Erase Cycles
  - Data Retention : 10 years
- Command Register Operation
- 44(40) - Lead TSOP Type II (400 mil / 0.8 mm pitch)
  - Forward/Reverse Type

**GENERAL DESCRIPTION**

The KM29V32000TS/RS is a 4M(4,194,304)x8 bit NAND Flash memory with a spare 128K(131,072)x8 bit. Its NAND cell provides the most cost-effective solution for the mass solid state storage market. A program operation programs the 528-byte page in typically 250 $\mu$ s and an erase operation can be performed in typically 5ms on either a 8K-byte block. Data in the page can be read out at 50ns cycle time per byte. The I/O pins serve as the ports for address and data input/output as well as command inputs. The on-chip write controller automates all program and erase system functions, including pulse repetition, where required, and internal verify and margining of data. Each block can be programmed and erased a minimum of ten thousand cycles. However the write-intensive systems can take advantage of the KM29V32000TS/RS's extended reliability up to of 1,000,000 program/erase cycles by providing either ECC(Error Checking and Correction) or real time mapping-out algorithm. This algorithm has already been implemented in many mass storage applications and also the spare 16 bytes of a page combined with the other 512 bytes can be utilized by system-level ECC.

The KM29V32000TS/RS is an optimum solution for large nonvolatile storage application such as solid state storage, digital voice recorder, digital still camera and other portable applications requiring nonvolatility.

**PIN CONFIGURATION**



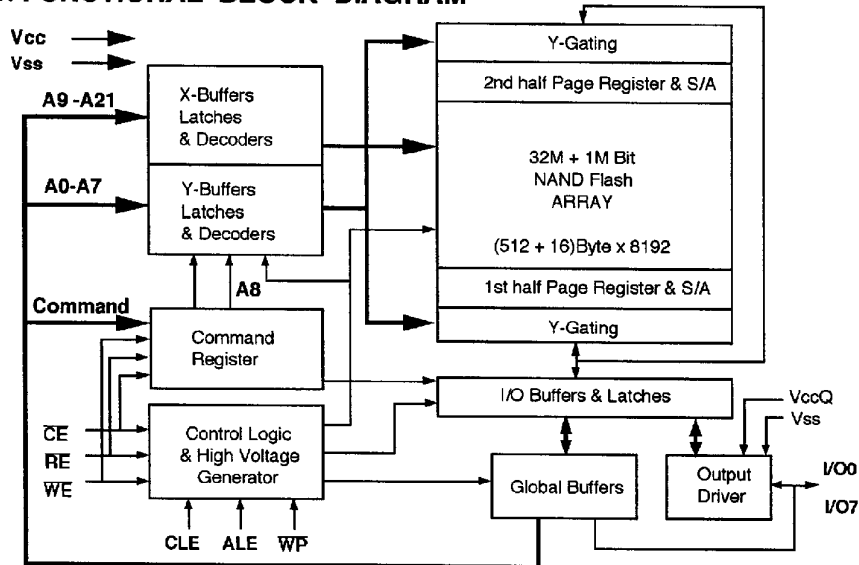
**44(40) TSOP (II)  
STANDARD TYPE**

**44(40) TSOP (II)  
REVERSE TYPE**

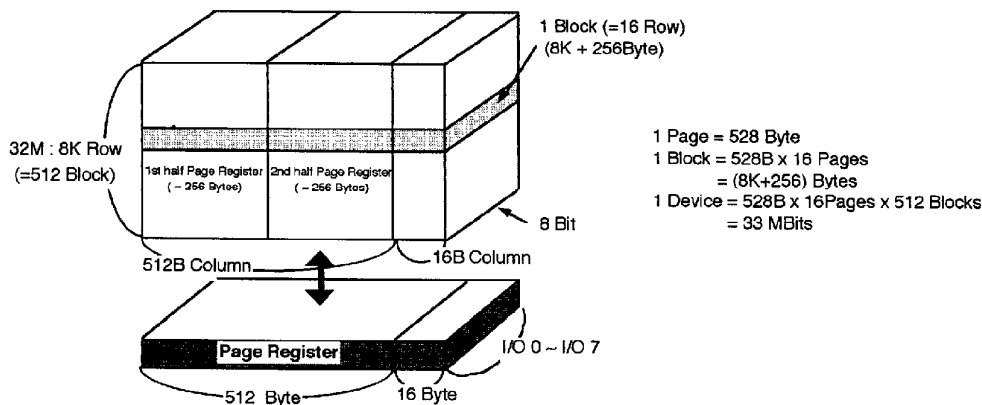
Notes ; Connect all Vcc, VccQ and Vss pins of each device to power supply outputs.  
Do NOT leave Vcc or Vss disconnected.

Pin Name	Pin Function
I/O0 ~ I/O7	Data Input/Outputs
CLE	Command Latch Enable
ALE	Address Latch Enable
CE	Chip Enable
RE	Read Enable
WE	Write Enable
WP	Write Protect
SE	Spare area Enable
R/B	Ready/Busy output
Vcc	Power (+5.0V)
VccQ	Output Buffer Power (+5.0V)
Vss	Ground
N.C.	No Connection

**Figure 1. FUNCTIONAL BLOCK DIAGRAM**



**Figure 2. ARRAY ORGANIZATION**



	I/O0	I/O1	I/O2	I/O3	I/O4	I/O5	I/O6	I/O7	Column Address
1st Cycle	A0	A1	A2	A3	A4	A5	A6	A7	Column Address
2nd Cycle	A9	A10	A11	A12	A13	A14	A15	A16	Row Address
3rd Cycle	A17	A18	A19	A20	A21	*X	*X	*X	(Page Address)

Note : Column Address : Starting Address of the Register.  
 00H Command (Read) : Defines the starting Address of the 1st half of the Register.  
 01H Command (Read) : Defines the starting Address of the 2nd half of the Register.  
 \* A8 is initially set to "Low" or "High" by the 00H or 01H Command.  
 \* X can be High or Low.

## PRODUCT INTRODUCTION

The KM29V32000 is a 33Mbit(34,603,008 bit) memory organized as 8192 rows by 528 columns. A spare sixteen columns are located from column address of 512 to 527. A 528-byte data register is connected to memory cell arrays accommodating data transfer between the I/O buffers and memory during page read and page program operations. The memory array is made up of 16 cells that are serially connected to form a NAND structure. Each of the 16 cells reside in a different page. A block consists of the 16 pages formed by one NAND structures, totaling 528 NAND structures of 16 cells. The array organization is shown in Figure 2. The program and read operations are executed on a page basis, while the erase operation is executed on block basis. The memory array consists of 512 separately or grouped erasable 8K-byte blocks. It indicate that the bit by bit erase operation is prohibited on the KM29V32000.

The KM29V32000 has addresses multiplexed into 8 I/O's. This scheme dramatically reduces pin counts and allows system upgrades to future higher densities by maintaining consistency in system board design. Command, address and data are all written through I/O's by bringing WE to low while CE is low. Data is latched on the rising edge of WE. Command Latch Enable(CLE) and Address Latch Enable(ALE) are used to multiplex command and address respectively, via the I/O pins. All commands require one bus cycle except for Block Erase command which requires two cycles: a cycle for erase-setup and another for erase-execution after block address loading. The 4M byte physical space requires 22 addresses, thereby requiring three cycles for byte-level addressing: column address, low row address and high row address, in that order. Page Read and Page Program need the same three address cycles following the required command input. In Block Erase operation, however, only the two row address cycles are used.

Device operations are selected by writing specific commands into the command register. Table1 defines the specific commands of the KM29V32000.

Table 1. COMMAND SETS

Function	1st. Cycle	2nd. Cycle	Acceptable Command during Busy State
Sequential Data Input	80h	-	
Read 1	00h/01h <sup>(1)</sup>	-	
Read 2	50h <sup>(2)</sup>	-	
Read ID	90h		
Reset	FFh	-	○
Page Program	10h	-	
Block Erase	60h	D0h	
Erase Suspend	B0h	-	○
Erase Resume	D0h	-	
Read Status	70h	-	○
Read Register	E0h	-	

- Note : 1) The 00h Command defines starting Address on the 1st half of Registers.  
 The 01h Command defines starting Address on the 2nd half of Registers.  
 After data access on the 2nd half of register by the 01H command, the status pointer is automatically moved to the 1st half register (00H) on the next cycle.
- 2) The 50H command is valid only When the SE (pin 40) is low level.

## PIN DESCRIPTION

### Command Latch Enable(CLE)

The CLE input controls the path activation for commands sent to the command register. When active high, commands are latched into the command register through the I/O ports on the rising edge of the WE signal.

### Address Latch Enable(ALE)

The ALE input controls the path activation for address and input data to the internal address/data registers. Addresses are latched on the rising edge of WE with ALE high, and input data is latched when ALE is low. When the device is in the busy state during program or erase, CE high does not return the device to standby mode.

### Chip Enable(CE)

The CE input is the device selection control. When CE goes high during a read operation the device is returned to standby mode. However, when the device is in the busy state during program or erase, CE high is ignored, and does not return the device to standby mode.

### Write Enable(WE)

The WE input controls writes to the I/O port. Commands, address and data are latched on the rising edge of the WE pulse.

### Read Enable(RE)

The RE input is the serial data-out control, and when active drives the data onto the I/O bus. Data is valid tREA after the falling edge of RE which also increments the internal column address counter by one.

### Spare Area Enable(SE)

The SE input is the spare area control, and when high deselects the spare area during Read1, Sequential data input and Page program.

### I/O Port : I/O 0 - I/O 7

The I/O pins are used to input command, address and data, and to outputs data during read operations. The I/O pins float to high-z when the chip is deselected or the outputs are disabled.

### Write Protected(WP)

The WP pin provides inadvertent write/erase protection during power transitions. The internal high voltage generator is reset when the WP pin is active low.

### Ready / Busy(R/B)

The R/B output indicates the status of the device operation. When low, it indicates that a program, erase or random read operation is in process and return to high state upon completion. It is an open drain output and does not float to high-z condition when the chip is deselected or outputs are disabled.

## ABSOLUTE MAXIMUM RATINGS

Parameter	Symbol	Rating	Unit
Voltage on any pin relative to Vss	VIN	-0.6 to +5.5	V
Temperature Under Bias	Tbias	-10 to +125	°C
Storage Temperature	Tstg	-65 to +150	°C
Short Circuit Output Current	Ios	5	mA

### \* Notes

1. Minimum DC voltage is -0.3V an input/output pins. During transitions, this level may undershoot to -2.0V for periods <30ns. Maximum DC voltage on input/output pins is Vcc+0.5V which, during transitions, may overshoot to Vcc+2.0V for periods <20ns.
2. Permanent device damage may occur if ABSOLUTE MAXIMUM RATINGS are exceeded. Functional operation should be restricted to the conditions as detailed in the operational sections of this data sheet. Exposure to absolute maximum rating conditions for extended periods may affect device reliability.

## RECOMMENDED OPERATING CONDITIONS (Voltage reference to GND, Ta = 0 to 70 °C)

Parameter	Symbol	Min	Typ	Max	Unit
Supply Voltage	Vcc	3.0	3.3	3.6	V
Supply Voltage	Vss	0	0	0	V

## DC AND OPERATING CHARACTERISTICS

(Recommended operating conditions otherwise noted.)

Parameter		Symbol	Test Conditions	Min	Typ	Max	Unit
Operating Current	Sequential Read	Icc1	tcycle=50ns CE=VIL, Iout = 0 mA	-	10	20	mA
		Icc2	tcycle= 1 us	-	2	5	mA
	Command, Address Input	Icc3	tcycle=50ns	-	10	20	mA
	Data Input	Icc4	-	-	10	20	mA
	Register Read	Icc5	tcycle=50ns Iout = 0mA	-	10	20	mA
	Program	Icc6	-	-	10	20	mA
	Erase	Icc7	-	-	10	20	mA
Stand-by Current (TTL)	ISB1	CE=VIH, WP=SE=0V/Vcc	-	-	1	mA	
Stand-by Current (CMOS)	ISB2	CE=Vcc-0.2, WP=SE=0V/Vcc	-	5	50	μA	
Input Leakage Current	ILI	VIN =0 to 3.6 V	-	-	±10	μA	
Output Leakage Current	ILO	VOUT =0 to 3.6 V	-	-	±10	μA	
Input High Voltage , All inputs	VIH	-	2.0	-	Vcc+0.5	V	
Input Low Voltage , All inputs	VIL	-	-0.3	-	0.8	V	
Output High Voltage Level	VOH	Ioh= -400uA	2.4	-	-	V	
Output Low Voltage Level	VOL	Iol= 2.1 mA	-	-	0.4	V	
Output Low Current (R/B)	IOL(R/B)	VOL =0.4 V	8	10	-	mA	

### AC TEST CONDITION

Note : Ta = 0 °C to + 70 °C, Vcc=5.0V± 10 %, unless otherwise noted.

Parameter	Value
Input Pulse Levels	0.4V to 2.4V
Input Rise and Fall Times	5 ns
Input and Output Timing Levels	0.8V and 2.0V
Output Load	1 TTL GATE and CL = 100 pF

### CAPACITANCE (Ta = 25 °C, Vcc=5.0V, f = 1.0 MHz)

Item	Symbol	Condition	Min	Max	Unit
Input / Output Capacitance	C <sub>I/O</sub>	V <sub>IL</sub> = 0V	-	10	pF
Input Capacitance	C <sub>IN</sub>	V <sub>IN</sub> = 0V	-	10	pF

Note : Capacitance is periodically sampled and not 100% tested.

### MODE SELECTION

CLE	ALE	CE	WE	RE	SE	WP	Mode	I/O	Power
H	L	L		H	X	X	Command Input	Din	Active
L	H	L		H	X	X	Address Input(3clock)	Din	Active
L	H	L	H		X	X	Address Output(3clock)	Dout	Active
L	L	L		H	L/H <sup>(3)</sup>	X	Data Input	Din	Active
L	L	L	H		L/H <sup>(3)</sup>	X	Sequential Read & Data Output	Dout	Active
X	X	X	X	X	L/H <sup>(3)</sup>	H	During Program (Busy)	High-Z	Active
X	X	X	X	X	X	H	During Erase (Busy)	High-Z	Active
X	X	X	X	X	X	L	Write Protect	High-Z	Active
X	X <sup>(1)</sup>	H	X	X	0V/V <sub>CC</sub> <sup>(2)</sup>	0V/V <sub>CC</sub> <sup>(2)</sup>	Stand-by	High-Z	Stand-by

Notes : 1. X can be V<sub>IL</sub> or V<sub>IH</sub>

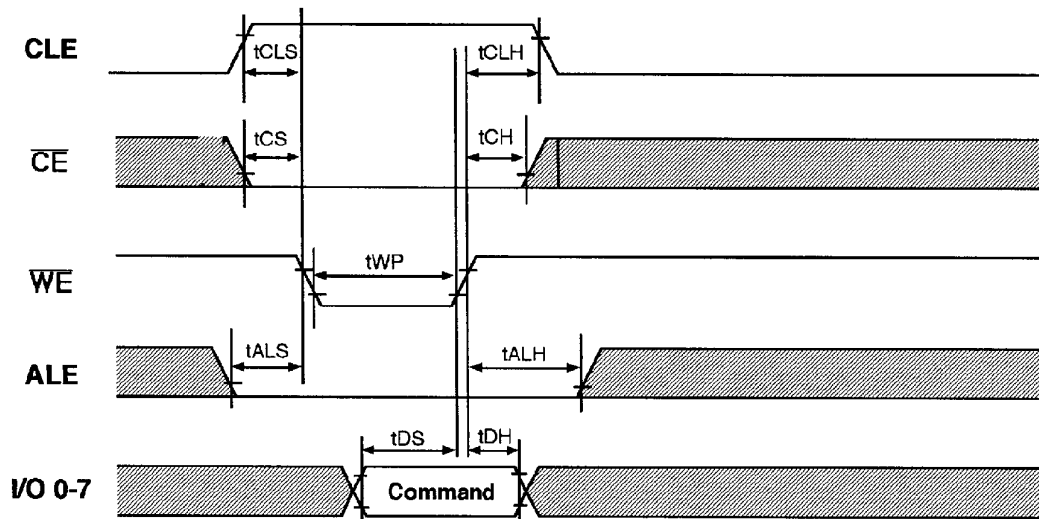
2. WP should be biased to CMOS high or CMOS low for standby.

3. When SE is high, spare area is deselected.

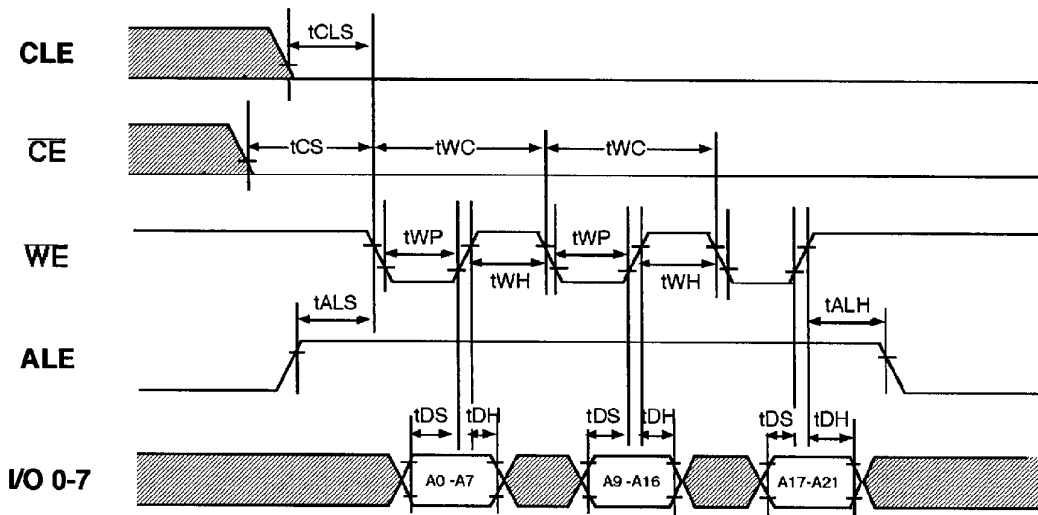
**A.C. Characteristics for Command / Address / Data Input**

Parameter	Symbol	Min	Max	Unit
CLE Set-up Time	tCLS	0	-	ns
CLE Hold Time	tCLH	10	-	ns
CE Setup Time	tCS	0	-	ns
CE Hold Time	tCH	10	-	ns
WE Pulse Width	tWP	25	-	ns
ALE Set-up Time	tALS	0	-	ns
ALE Hold Time	tALH	10	-	ns
Data Set-up Time	tDS	20	-	ns
Data Hold Time	tDH	10	-	ns
Write Cycle Time	tWC	50	-	ns
WE High Hold Time	tWH	15	-	ns

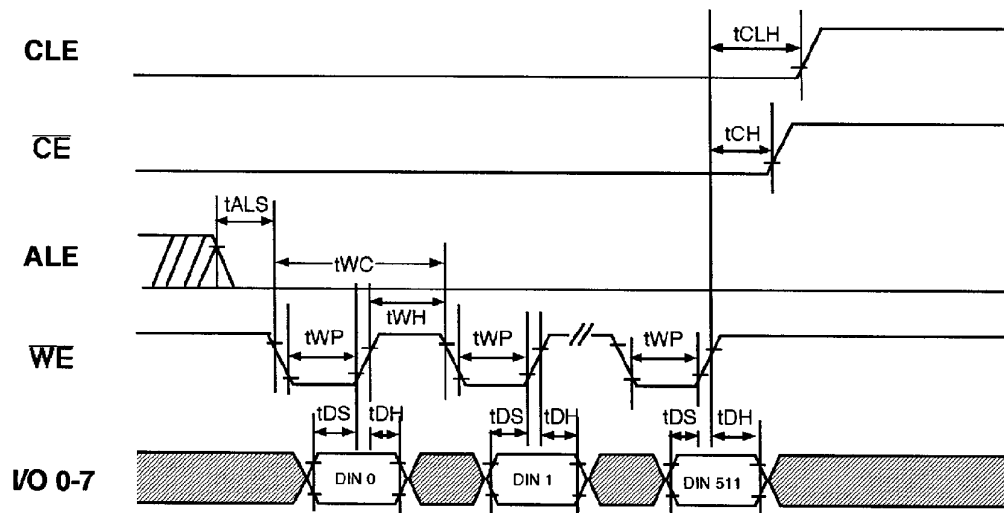
**\* Command Latch Cycle**



**\* Address Latch Cycle**



**\* Input Data Latch Cycle**





### A.C. Characteristics for Operation

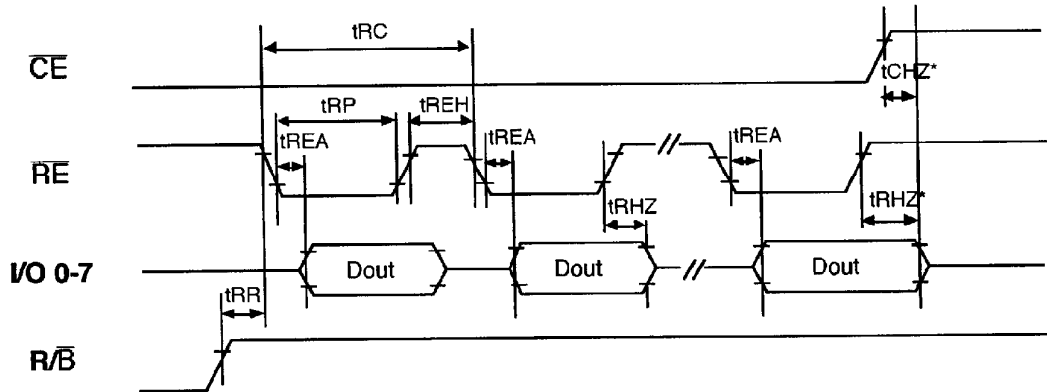
Parameter	Symbol	Min	Max	Unit
Data Transfer from Cell to Register	tR	-	10	μs
ALE to RE Delay (Read register, read ID)	tAR1	150	-	ns
ALE to RE Delay (Read cycle)	tAR2	50	-	ns
CE to RE Delay (Address register read, ID read)	tCR	100	-	ns
Ready to RE Low	tRR	20	-	ns
RE Pulse Width	tRP	30	-	ns
WE High to Busy	tWB	-	100	ns
Read Cycle Time	tRC	50	-	ns
RE Access Time	tREA	-	35	ns
RE High to Output Hi-Z	tRHZ	15	30	ns
CE High to Output Hi-Z	tCHZ	-	20	ns
RE High Hold Time	tREH	15	-	ns
Output Hi-Z to RE Low	tIR	0	-	ns
Last RE High to Busy (at sequential read)	tRB	-	100	ns
CE High to Ready (in case of interception by CE at read) <sup>(1)</sup>	tCRY	-	50 + tr(R/B) <sup>(2)</sup>	ns
CE High Hold Time (at the last serial read) <sup>(3)</sup>	tCEH	100	-	ns
ALE Setup Time (Register Read)	tALS1	10	-	ns
RE Low to Status Output	tRSTO	-	35	ns
CE Low to Status Output	tCSTO	-	45	ns
RE High to WE Low	tRHW	0	-	ns
WE High to CE Low	tWHC	30	-	ns
WE High to RE Low	tWIR	00	-	ns
WE High to RE Low (Register Read)	tWHR1	200	-	ns
Erase Suspend Input to Ready	tSR	-	500	us
RE access time (Read ID)	tREADID	-	35	ns
Device Resetting Time (Read/Program/Erase/after erase suspend)	tRST	-	5/10/500/5	us

- Note : 1. If CE goes high within 30ns after the rising edge of the last RE, R/B will not transition to VoL.  
 2. The time to Ready depends on the value of the pull-up resistor tied to R/B pin.  
 3. To break the sequential read cycle, CE must be held high for longer than tCEH.

### Program/Erase Characteristics

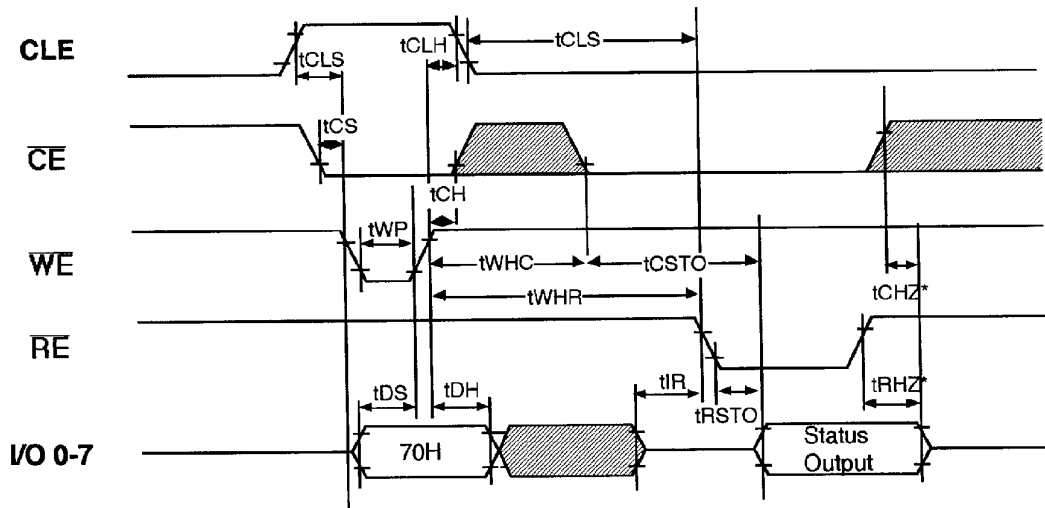
Parameter	Symbol	Min	Typ	Max	Unit
Program Time	tPROG	-	0.25	1.5	ms
Number of Partial Program Cycles in the Same Page	Nop	-	-	10	cycles
Block Erase Time	tBERS	-	5	30	ms

**\* Sequential Out Cycle after Read (CLE=L, WE=H, ALE=L)**

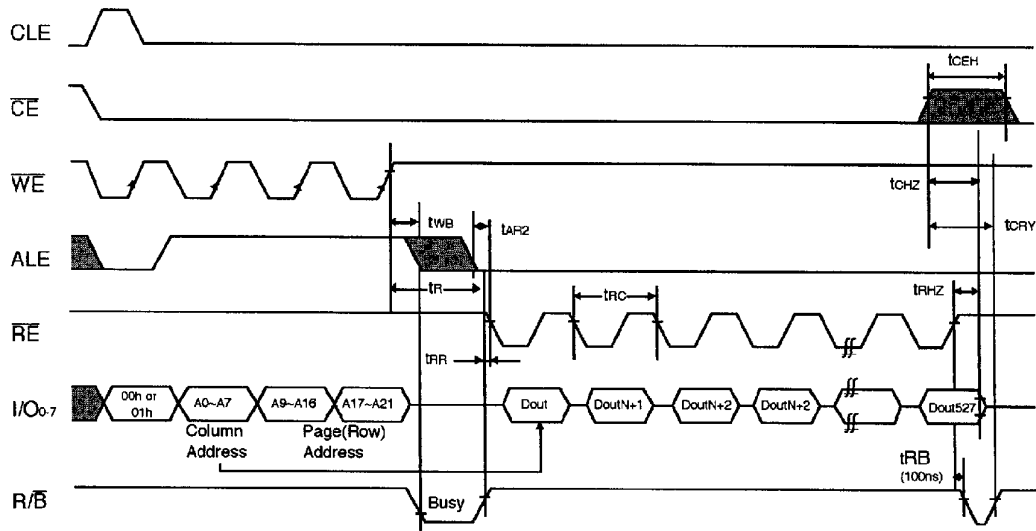


Note : Transition is measured  $\pm 200\text{mV}$  from steady state voltage with load.  
This parameter is sampled and not 100% tested.

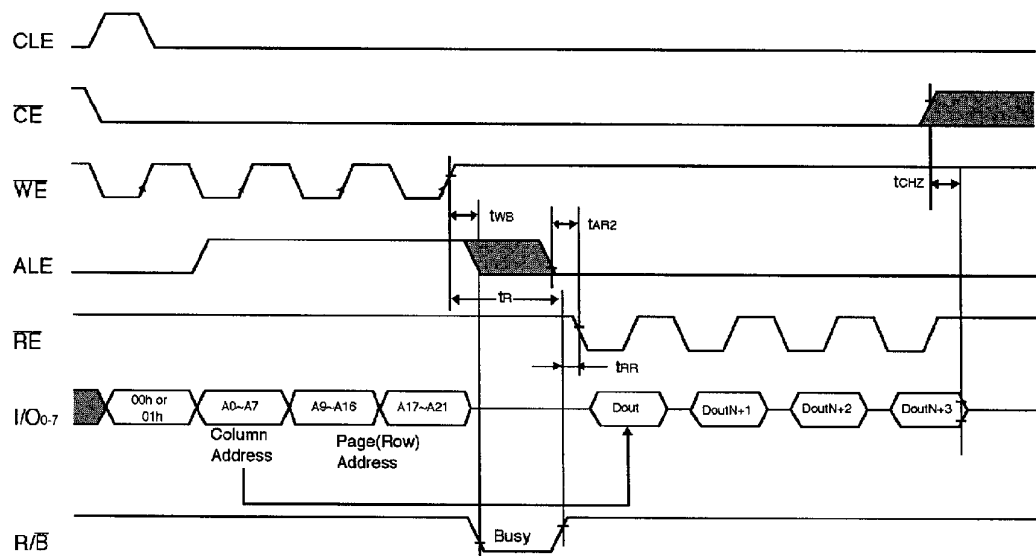
**\* Status Read Cycle**



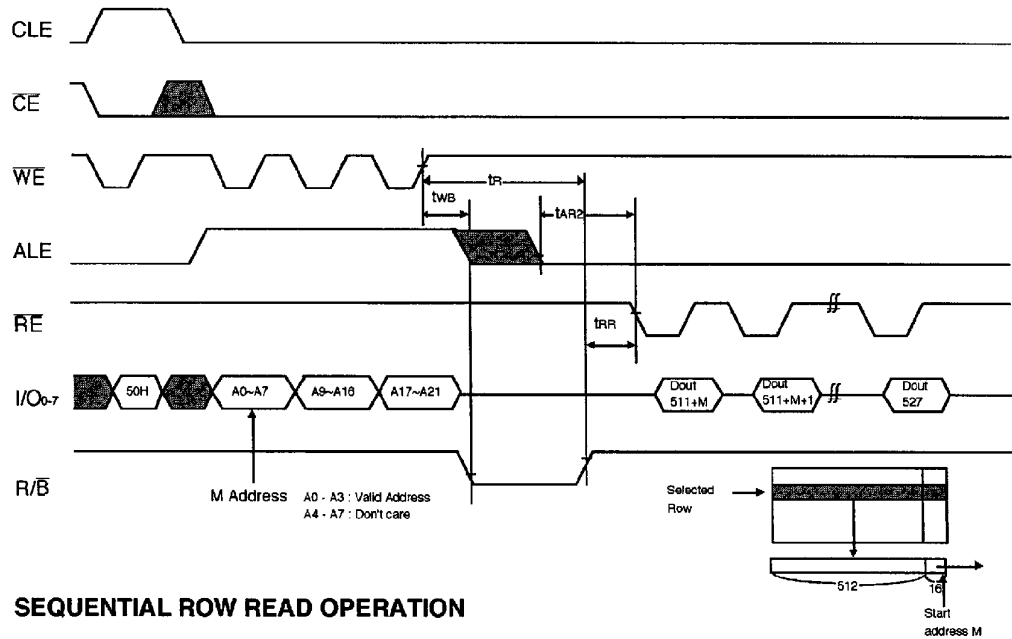
**READ1 OPERATION (READ ONE PAGE)**



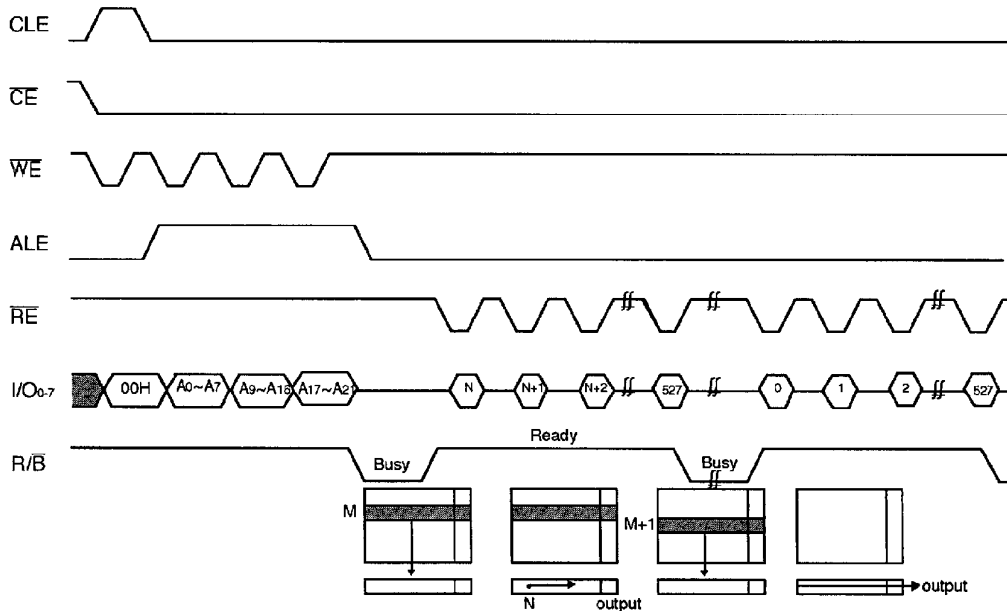
**READ1 OPERATION (INTERCEPTED BY CE)**



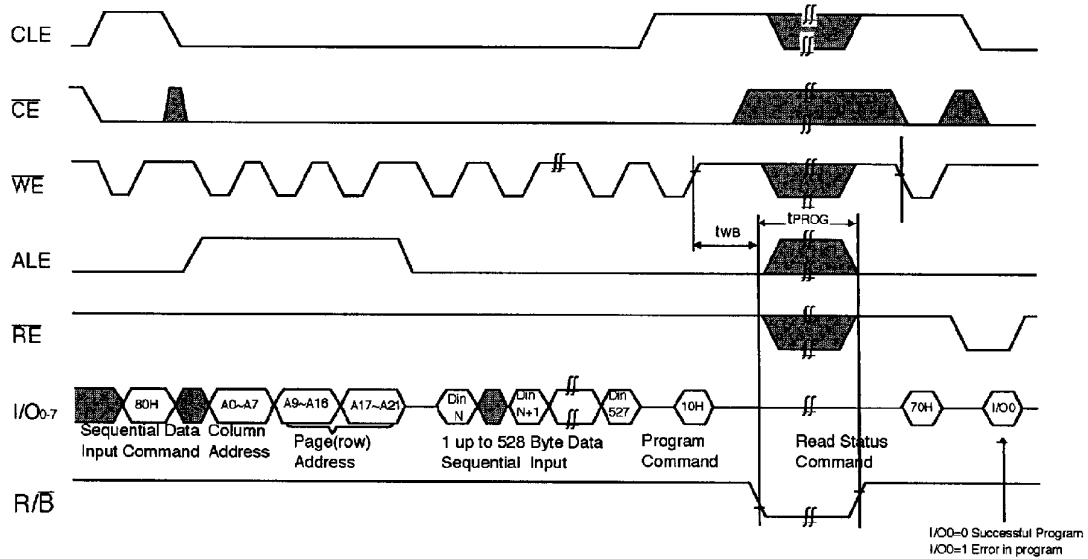
**READ2 OPERATION (READ ONE PAGE)**



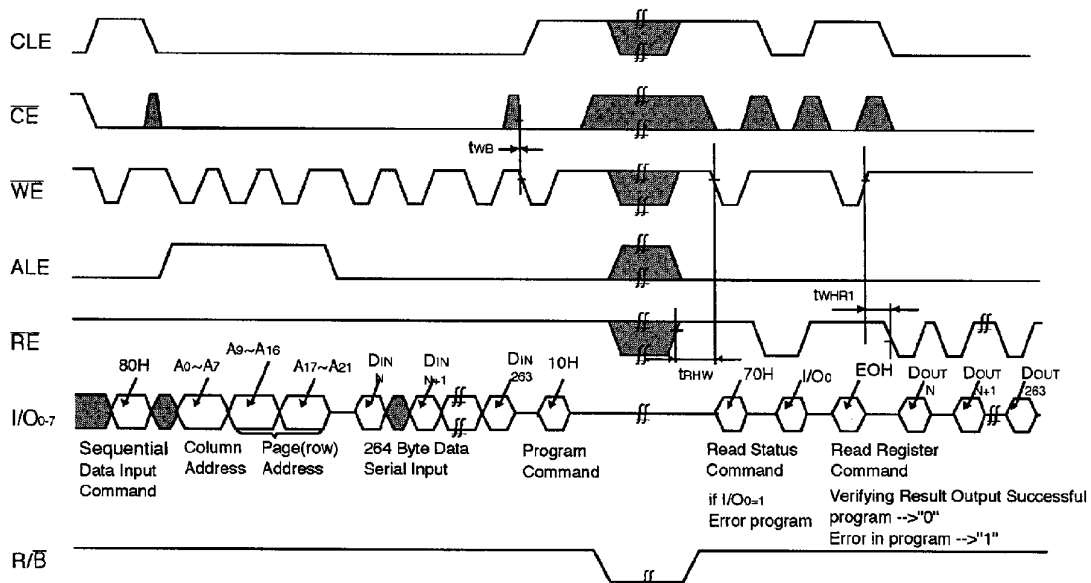
**SEQUENTIAL ROW READ OPERATION**



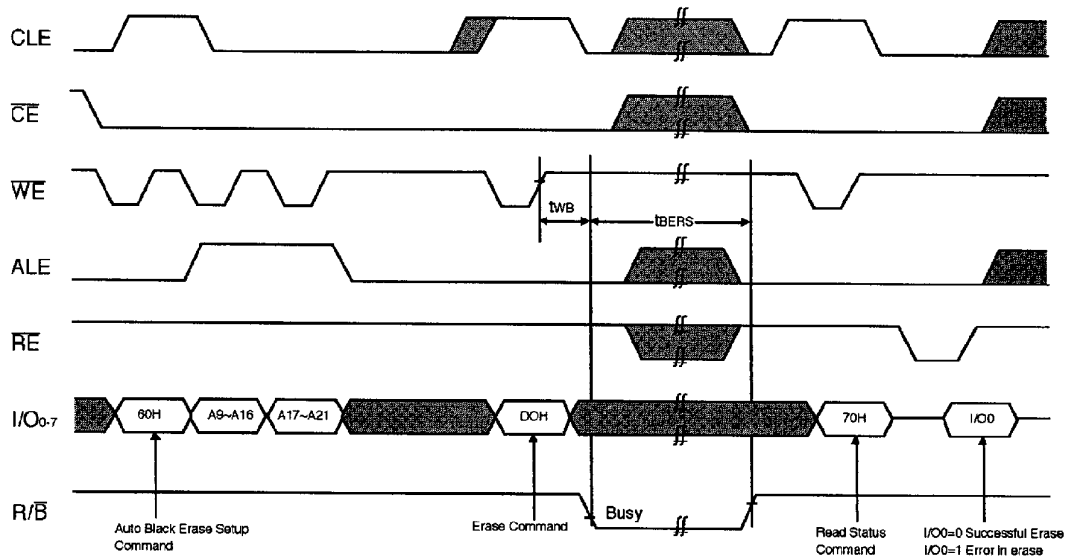
**PAGE PROGRAM OPERATION**



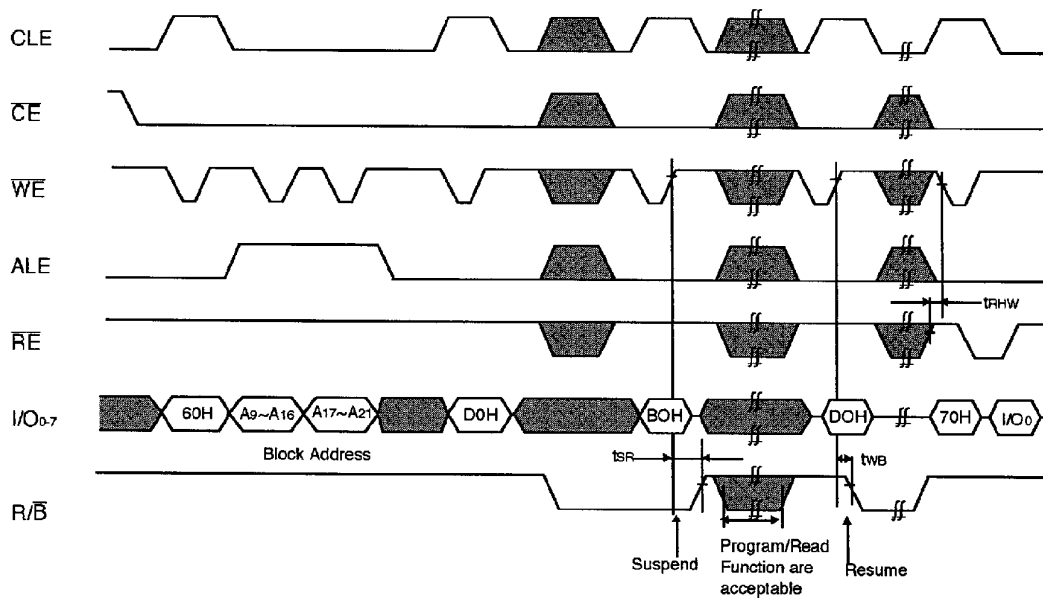
**PAGE PROGRAM & READ DATA REGISTER OPERATION**



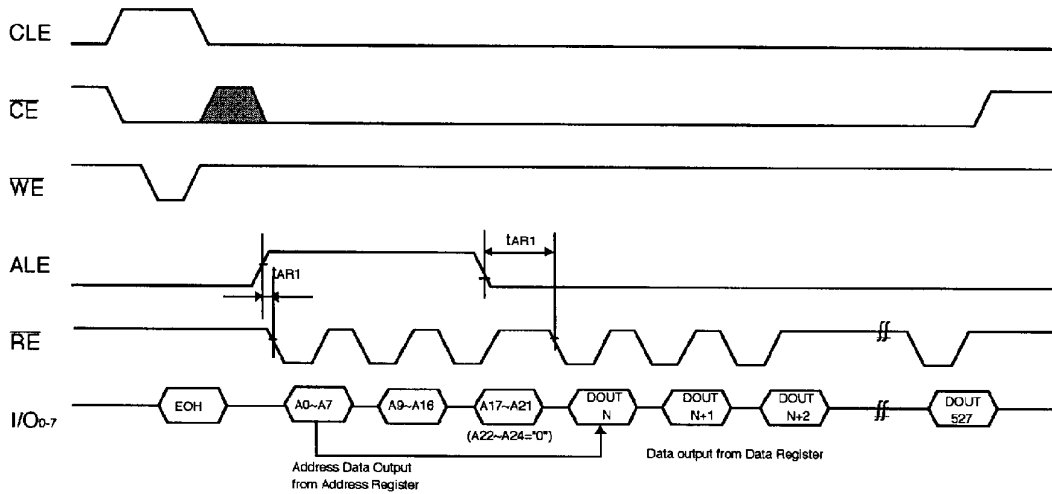
**BLOCK ERASE OPERATION (ERASE ONE BLOCK)**



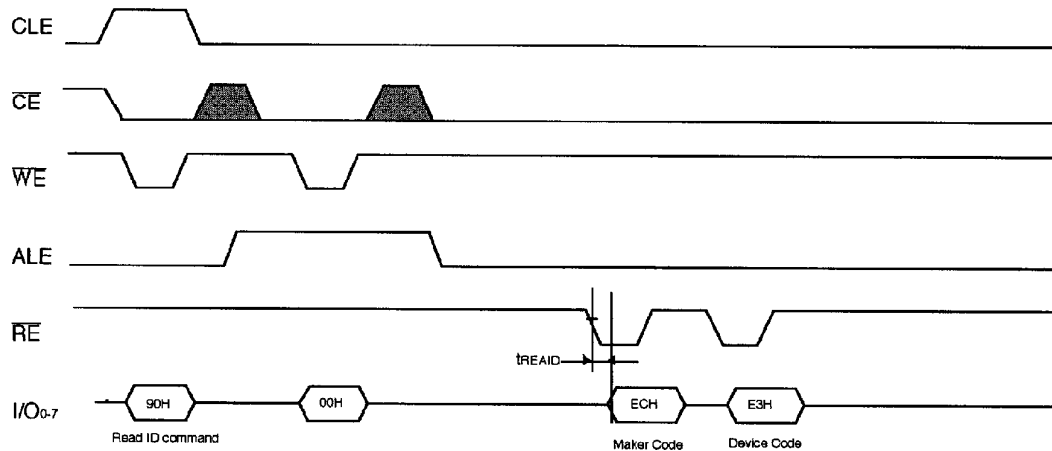
**SUSPEND & RESUME OPERATION DURING BLOCK ERASE**



**READ REGISTER OPERATION**



**MANUFACTURE & DEVICE ID READ OPERATION**



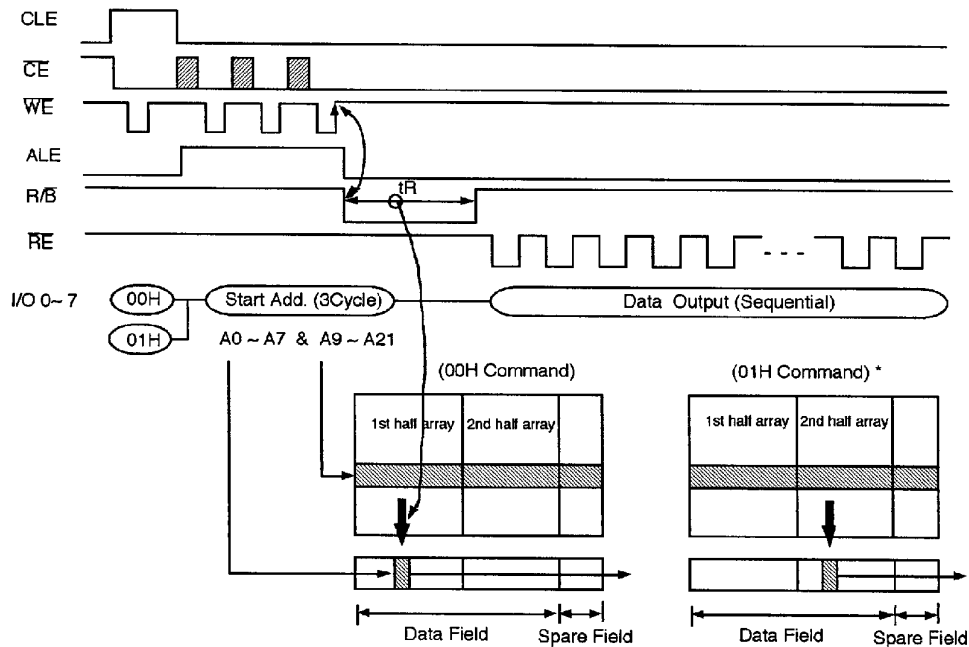
**DEVICE OPERATION**

**PAGE READ**

Upon initial device power up, the KM29V32000 defaults to Read1 mode. This operation is also initiated by writing 00H to the command register along with three address cycles. Once the command is latched, it does not need to be written for the following page read operation. Three types of operations are available: random read, serial page read and sequential read.

The random read mode is enabled when the page address is changed. The 528 bytes of data within the selected page are transferred to the data registers in less than 10 $\mu$ s(tR). The CPU can detect the completion of this data transfer (tR) by analyzing the output of Ready/Busy pin. Once the data in a page is loaded into the registers, they may be read out in 50ns cycle time by sequentially pulsing RE with CE staying low. High to low transitions of the RE clock output the data starting from the selected column address up to the last column address (column 511 or 527 depending on state of SE pin). After the data of last column address is clocked out, the next page is automatically selected for sequential read. Waiting 10 $\mu$ s again allows for reading of the selected page. The sequential read operation is terminated by bringing CE high. The way the Read1 and Read2 commands work is like a pointer set to either the main area or the spare area. The spare area of bytes 512 to 527 may be selectively accessed by writing the Read 2 command with SE pin low level. Address A0 to A3 set the starting address of the spare area while addresses A4 to A7 are ignored. Unless the operation is aborted, the page address is automatically incremented for sequential read as in Read 1 operation and spare sixteen bytes of each page may be sequentially read. The Read 1 command (00H) is needed to move the pointer back to the main area. Figure 3 thru 6 show typical sequence and timings for each read operation.

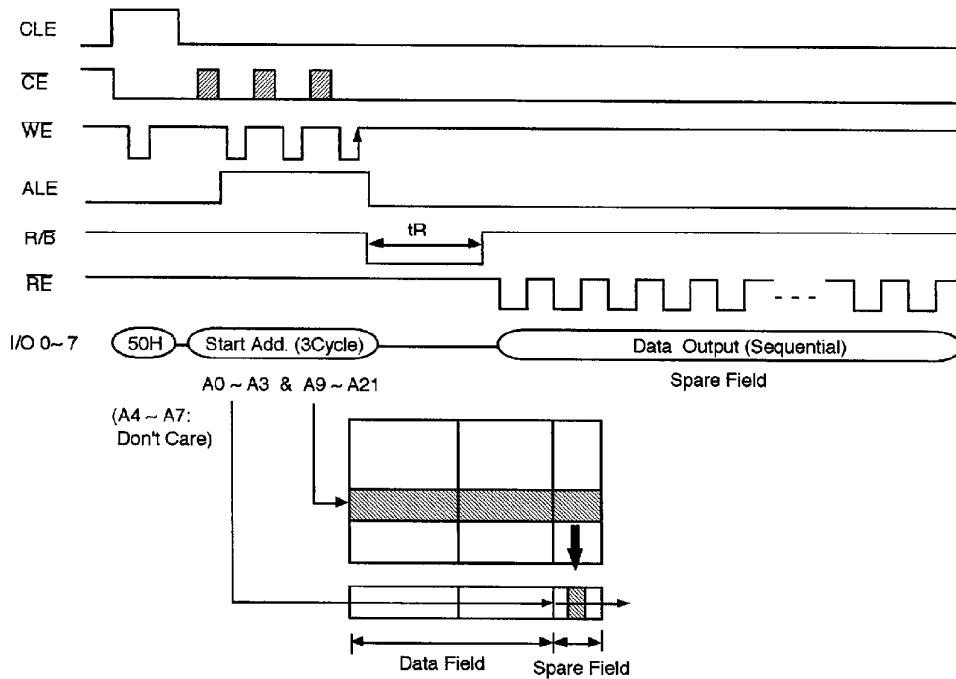
**Figure 3. Read 1 Operation**



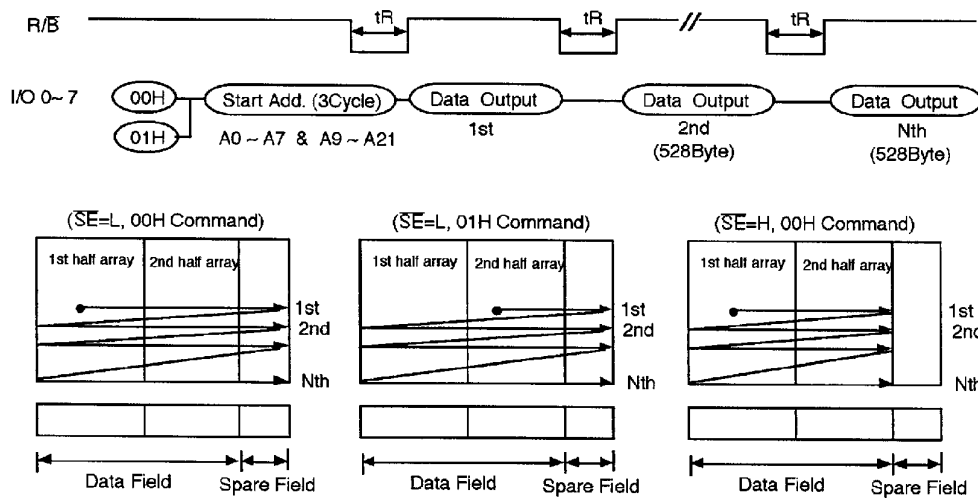
\* After data access on 2nd half array by 01H command, the start pointer is automatically moved to 1st half array (00H) at next cycle.



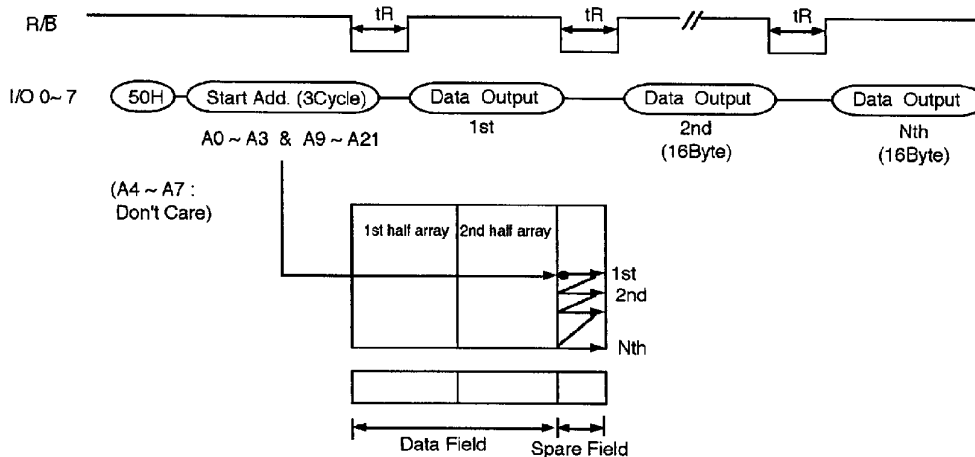
**Figure 4. Read 2 Operation**



**Figure 5. Sequential Read 1 Operation**



**Figure 6. Sequential Read 2 Operation** ( $\overline{SE}$  = fixed low)

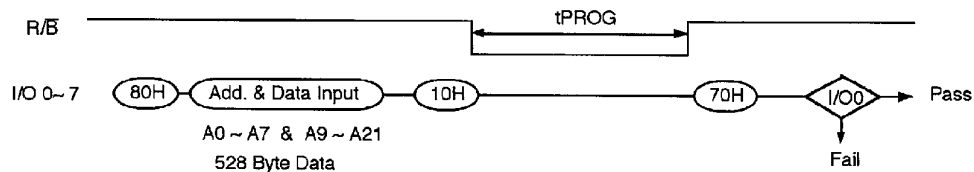


**PAGE PROGRAM**

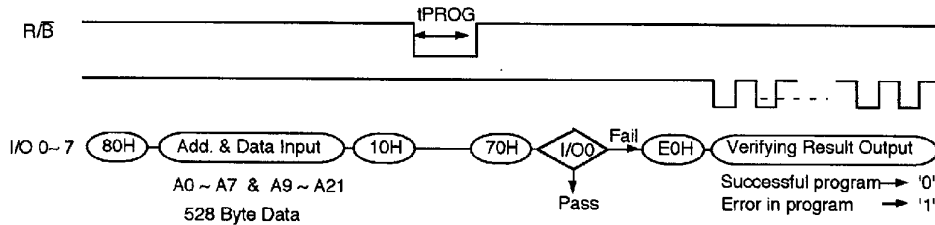
The device is programmed basically on a page basis, but it does allow partial page program: a byte or consecutive bytes up to 528, in a single page program cycle. The number of consecutive partial page programming operation within the same page without an intervening erase operation must not exceed ten. The addressing may be done in random order in a block. A page program cycle consists of a serial data loading period in which up to 528 bytes of data may be loaded into the page register, followed by a nonvolatile programming period where the loaded data is programmed into the appropriate cell.

The serial data loading period begins by inputting the Serial Data Input command (80H), followed by the three cycle address input and then serial data loading. The bytes other than those to be programmed do not need to be loaded. The Page Program confirm command (10H) initiates the programming process. Writing 10H alone without previously entering the serial data will not initiate the programming process. The internal write controller automatically executes the algorithms and timings necessary for program and verify, thereby freeing the CPU for other tasks. Once the program process starts, the Read Status Register command may be entered, with  $\overline{RE}$  and  $\overline{CE}$  low, to read the status register. The CPU can detect the completion of a program cycle by monitoring the Ready/Busy output, or the Status bit(I/O 6) of the Status Register. Only the Read Status command and Reset command are valid while programming is in progress. When the Page Program is complete, the Write Status Bit(I/O 0) may be checked (Figure 7). The internal write verify detects only errors for "1"s that are not successfully programmed to "0"s. The command register remains in Read Status command mode until another valid command is written to the command register. The data register may be read by writing the Read Register command (E0H) to determine the column address at which the error has been detected. The registers in error will have "1"s while the registers of successfully programmed bits will have "0"s (Figure 8).

**Figure 7. Program & Read Status Operation**



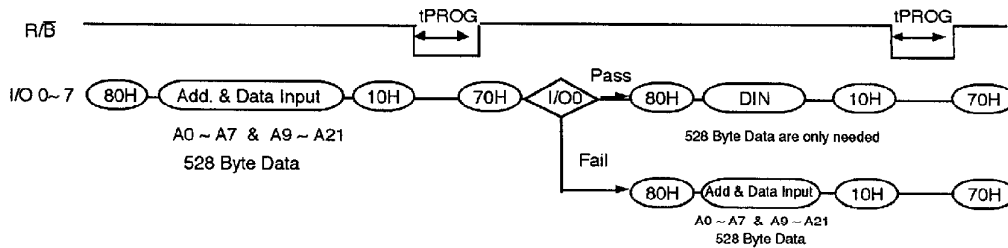
**Figure 8. Program & Read Data Register Operation**



**SEQUENTIAL ROW PROGRAM**

The device provides sequential row programming when a program operation is successfully terminated. If the status bit I/O0 show a " Pass", the device activates sequential row program mode and the next page address does not need to be loaded. When rising edge of R/B, the next page address will be automatically increased by internal row address counter, and the column address will be set to "00H" address. If, however, the programming is not successful, the previous address and data must be reloaded(REFER TO Figure 9).

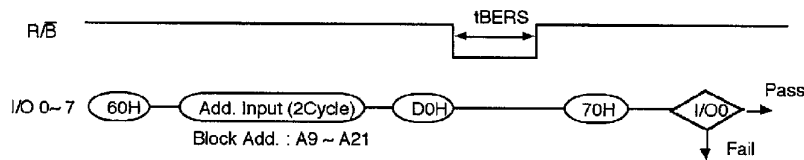
**Figure 9. Sequential Row Program Operation**



**BLOCK ERASE**

The Erase operation can erase on a block (8K Byte) basis. Block address loading is accomplished in two cycles initiated by an Erase Setup command(60H). Only address A13 to A21 is valid while A9 to A12 is ignored. The addresses of the block to be erased to FFH. The Erase Confirm command(D0H) following the block address loading initiates the internal erasing process. This two-step sequence of setup followed by execution ensures that memory contents are not accidentally erased due to external noises conditions. At the rising edge of WE after the erase confirm command input, the internal write controller handles erase, erase-verify and pulse repetition where required. If an erase operation error is detected, the internal verify is halted and erase operation is terminated. When the erase operation is complete, the Write Status Bit(I/O 0) can be checked. Figure 10 detail the sequence.

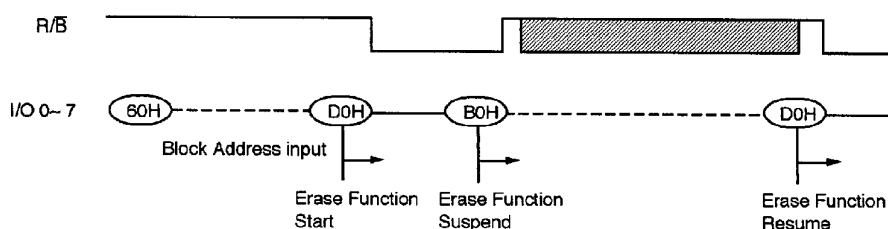
**Figure 10. Block Erase Operation**



### ERASE SUSPEND/ERASE RESUME

The Erase Suspend allows interruption during any erase operation in order to read or program data to or from another block of memory. Once an erase process begins, writing the Erase Suspend command (B0H) to the command register suspends the internal erase process, and the Ready/Busy signal return to "1". Erase Suspend Status bit will be also set to "1" when the Status Register is read. At this time, blocks other than the suspended block can be read or programmed. The Status Register and Ready/Busy operation will function as usual. After the Erase Resume command is written to it, the erase process is restarted from the beginning of the erasing period. The Erase Suspend Status bit and Ready/Busy will return to "0". Refer to Figure 11 for operation sequence.

**Figure 11. Erase Suspend & Erase Resume Operation**



### READ STATUS

The KM29V32000 contains a Status Register which can be read to find out whether program or erase operation is complete, and whether the program or erase operation completed successfully. After writing 70H command to the command register, a read cycle outputs the contents of the Status Register to the I/O pins on the falling edge of CE or RE, whichever occurs last. This two line control allows the system to poll the progress of each device in multiple memory connections even when R/B pins are common-wired. RE or CE does not need to be toggled for updated status. Refer to table 2 for specific Status Register definitions. The command register remains in Status Read mode until further commands are issued to it. Therefore, if the Status Register is read during a random read cycle, the required Read Command (00H or 50H) should be input before serial page read cycle.

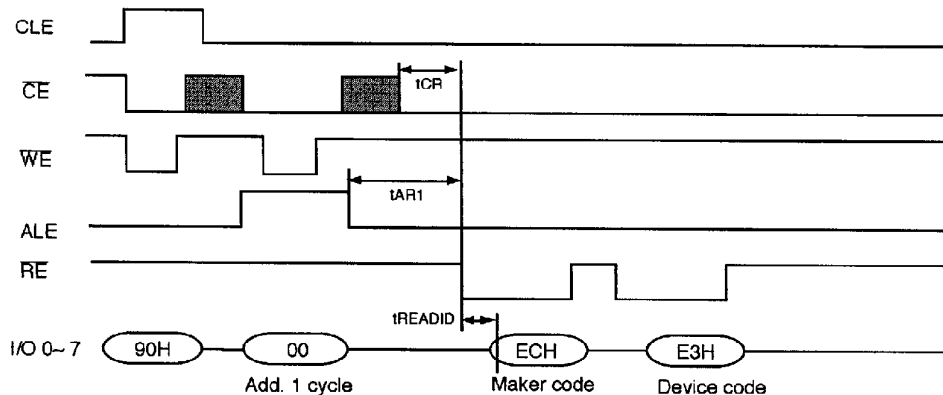
**Table 2. STATUS REGISTER DEFINITION**

SR	Status	Definition
I/O 0	Program / Erase	"0" : Successful Program/Erase "1" : Error in Program/Erase
I/O 1	Reserved for Future Use	"0"
I/O 2		"0"
I/O 3		"0"
I/O 4		"0"
I/O 5	Erase Suspend	"0" : Erase in Progress/Completed "1" : Suspended
I/O 6	Device Operation	"0" : Busy      "1" : Ready
I/O 7	Write Protect	"0" : Protected      "1" : Not Protected

## READ ID

The KM29V32000 contains a product identification mode, initiated by writing 90H to the command register, followed by an address input of 00H. Two read cycles sequentially outputs the manufacturer code (ECH), and the device code (E3H) respectively. The command register remains in Read ID mode until further commands are issued to it. Figure 12 shows the operation sequence.

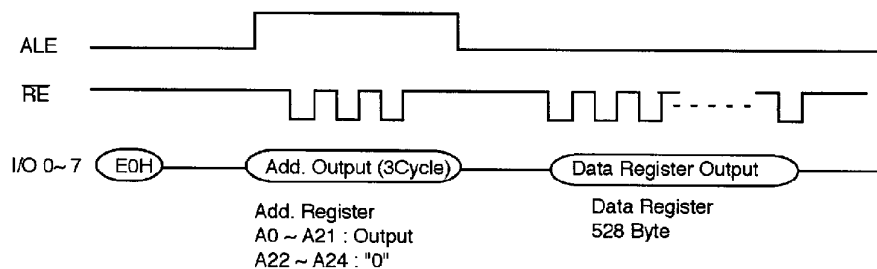
**Figure 12. Read ID Operation**



## READ REGISTER

The KM29V32000 has 528 data registers and 3 address registers which may be read by writing E0H to the command register. Toggling RE with ALE high will output the contents of the address registers. Toggling RE with ALE low drives the contents of the data registers sequentially beginning with predetermined column address. The Read Register mode can be used in conjunction with the Page Program operation to identify the bits in programming error by reading the data registers. Figure 13 shows the flow chart.

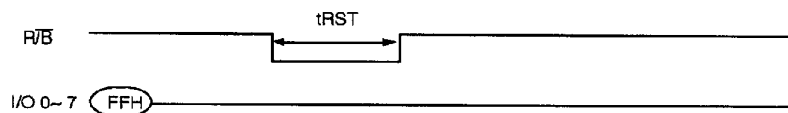
**Figure 13. Read Address and Data Register Operation**



## RESET

The KM29V32000 offers a reset feature, executed by writing FFH to the command register. When the device is in Busy state during random read, program or erase modes, the reset operation will abort these operation. The contents of memory cells being altered are no longer valid, as the data will be partially programmed or erased. Internal address registers are cleared to "0"s and data registers to "1"s. The command register is cleared to wait for the next command, and the Status Register is cleared to value C0H when WP is high. Refer to table 3 for device status after reset operation. If the device is already in reset state a new reset command will not be accepted to by the command register. The Ready/Busy pin transitions to low for tRST after the Reset command is written. Reset command is not necessarily for normal operation. Refer to Figure 14 below.

**Figure 14. RESET Operation**

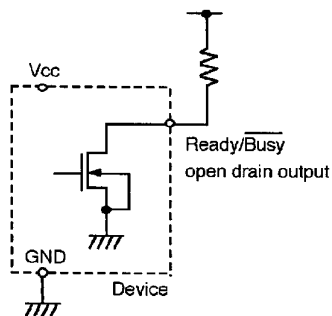


**Table 3. DEVICE STATUS**

	After Power-up	After Reset
Address Register	All "0"	All "0"
Data Register	All "1"	All "1"
Operation Mode	Read 1	Waiting for next command

## READY/BUSY

The KM29V32000 has a Ready/Busy output that provides a hardware method of indicating the completion of a page program, erase and random read completion. The R/B pin is normally high but transitions to low after program or erase command is written to the command register or random read is begin after address loading. It returns to high when the internal controller has finished the operation. The pin is an open-drain driver thereby allowing two or more Ready/Busy outputs to be Or-tied. An appropriate pull-up resistor is required for proper operation and the value may be calculated by following equation.



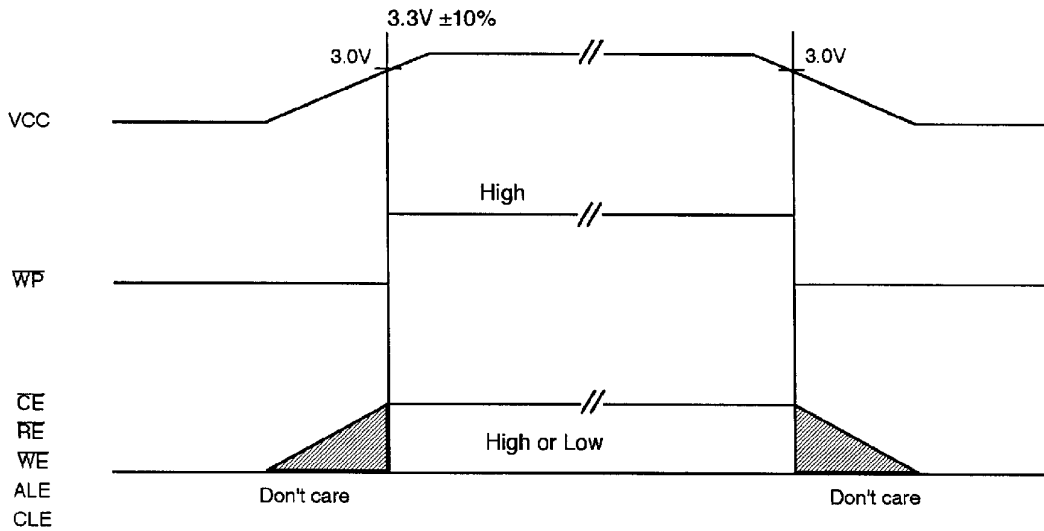
$$R_p = \frac{V_{cc}(\text{Max.}) - V_{ol}(\text{Max.})}{I_{ol} + \sum I_L} = \frac{3.2V}{8\text{mA} + \sum I_L}$$

where  $I_L$  is the sum of the input currents of all devices tied to the Ready/Busy pin.

**DATA PROTECTION**

The KM29V32000 has a write protect pin ( $\overline{WP}$ ) to provide protection from any accidental write operation during power transition. During device power up, the  $\overline{WP}$  should be at  $V_{IL}$  until  $V_{CC}$  reaches approximately 4.5V, during power down should be at  $V_{IL}$  when  $V_{CC}$  falls below 3.0V. Refer to Figure 15 below.

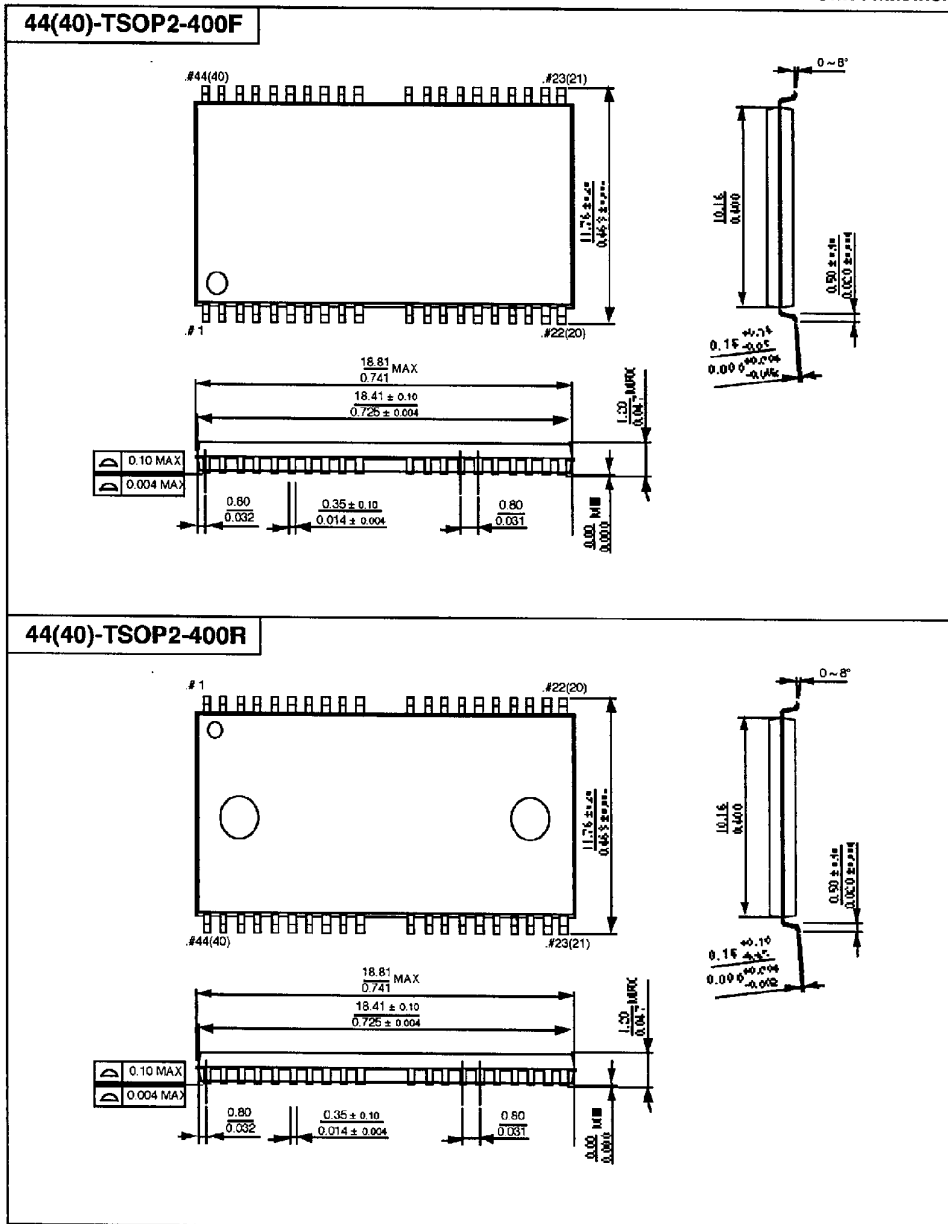
**Figure 15. AC WAVEFORMS for POWER TRANSITIONS**



**PACKAGE DIMENSION**

**44 (40) LEAD PLASTIC THIN SMALL OUT-LINE PACKAGE TYPE (II)**

Unit : mm/inch





## KM29V32000 Technical Notes

### Pointer Operation of KM29V32000

The KM29V32000 has three read mode to set the destination of the pointer. The pointer is set to region 'A' by the '00h' command, to region 'B' by the '01' command, and to region 'C' by the '50h' command. Table 1 shows the destination of the pointer, and figure 2 shows the block diagram of their operations.

Table 1. Destination of the pointer

Command	Pointer position	Area
00h	0 ~ 255th byte	1st half array
01h	256 ~ 511th byte	2nd half array
50h	512 ~ 527th byte	spare array

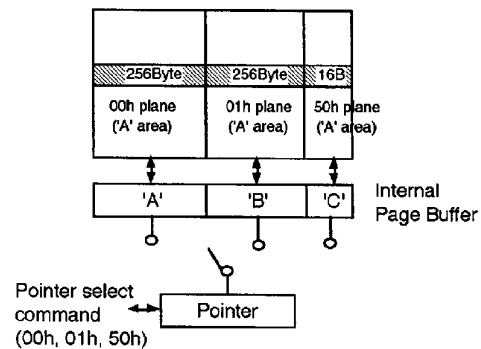


Figure 2. Block diagram of pointer operation

### Example of Pointer Operation

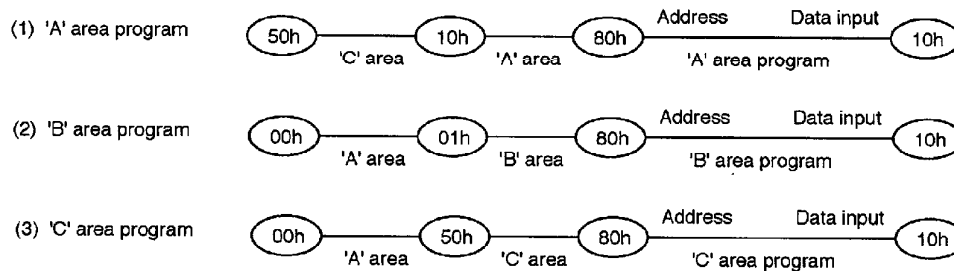


Table 2. Pointer Status after operations

Operation	Pointer status after operation
Program/Erase	Previous Plane
Reset	'00h' Plane ('A' area)
Power up	'00h' Plane ('A' area)