

Document Title

256Kx16 bit Low Power CMOS Static RAM

Revision History

<u>Revision No.</u>	<u>History</u>	<u>Draft Data</u>	<u>Remark</u>
0.0	Initial draft	December 17, 1998	Preliminary
1.0	Finalize	April 17, 1999	Finalize

The attached datasheets are provided by SAMSUNG Electronics. SAMSUNG Electronics CO., LTD. reserve the right to change the specifications and products. SAMSUNG Electronics will answer to your questions about device. If you have any questions, please contact the SAMSUNG branch offices.



256Kx16 bit Low Power CMOS Static RAM

FEATURES

- Process Technology: TFT
- Organization: 256Kx16
- Power Supply Voltage: 4.5~5.5V
- Low Data Retention Voltage: 2V(Min)
- Three state output and TTL Compatible
- Package Type: 44-TSOP2-400F/R

GENERAL DESCRIPTION

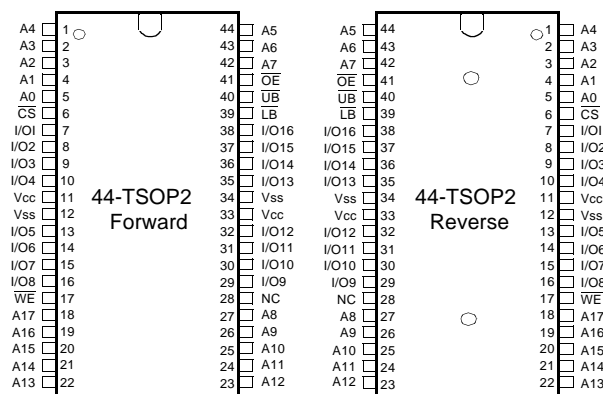
The K6T4016C3C families are fabricated by SAMSUNG's advanced CMOS process technology. The families support various operating temperature ranges and small package types for user flexibility of system design. The families also support low data retention voltage for battery back-up operation with low data retention current.

PRODUCT FAMILY

Product Family	Operating Temperature	Vcc Range	Speed(ns)	Power Dissipation		PKG Type
				Standby (I _{SB1} , Max)	Operating (I _{CC2} , Max)	
K6T4016C3C-B	Commercial(0~70°C)	4.5~5.5V	55 ¹⁾ /70	20μA	90mA	44-TSOP2-400F/R
K6T4016C3C-F	Industrial(-40~85°C)			50μA		

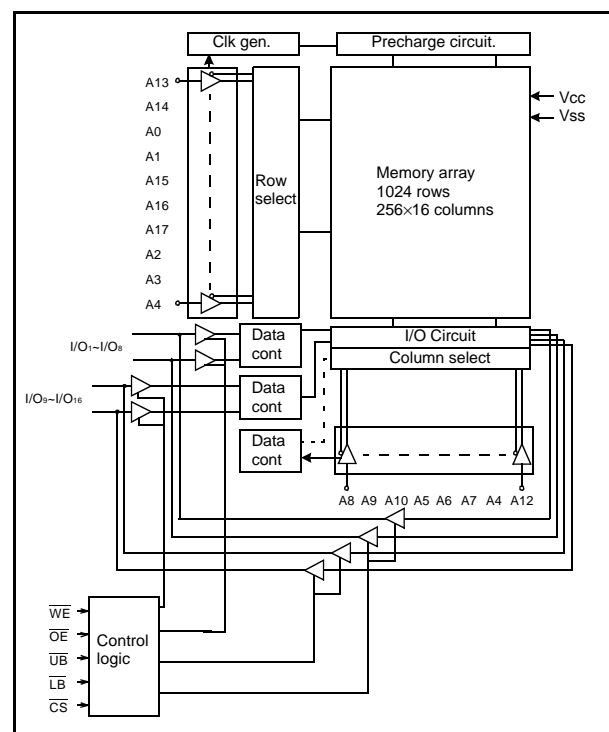
1. The parameter is measured with 50pF test load.

PIN DESCRIPTION



Name	Function	Name	Function
\overline{CS}	Chip Select Input	Vcc	Power
\overline{OE}	Output Enable Input	Vss	Ground
\overline{WE}	Write Enable Input	\overline{UB}	Upper Byte(I/O ₉₋₁₆)
A ₀ -A ₁₇	Address Inputs	\overline{LB}	Lower Byte (I/O ₁₋₈)
I/O ₁ -I/O ₁₆	Data Inputs/Outputs	NC	No Connection

FUNCTIONAL BLOCK DIAGRAM



SAMSUNG ELECTRONICS CO., LTD. reserves the right to change products and specifications without notice.

PRODUCT LIST

Commercial Temperature Product(0~70°C)		Industrial Temperature Products(-40~85°C)	
Part Name	Function	Part Name	Function
K6T4016C3C-TB55	44-TSOP2-F, 55ns, LL-pwr	K6T4016C3C-TF55	44-TSOP2-F, 55ns, LL-pwr
K6T4016C3C-TB70	44-TSOP2-F, 70ns, LL-pwr	K6T4016C3C-TF70	44-TSOP2-F, 70ns, LL-pwr
K6T4016C3C-RB55	44-TSOP2-R, 55ns, LL-pwr	K6T4016C3C-RF55	44-TSOP2-R, 55ns, LL-pwr
K6T4016C3C-RB70	44-TSOP2-R, 70ns, LL-pwr	K6T4016C3C-RF70	44-TSOP2-R, 70ns, LL-pwr

FUNCTIONAL DESCRIPTION

\overline{CS}	\overline{OE}	\overline{WE}	\overline{LB}	\overline{UB}	I/O ₁₋₈	I/O ₉₋₁₆	Mode	Power
H	X ¹⁾	X ¹⁾	X ¹⁾	X ¹⁾	High-Z	High-Z	Deselected	Standby
L	H	H	X ¹⁾	X ¹⁾	High-Z	High-Z	Output Disabled	Active
L	X ¹⁾	X ¹⁾	H	H	High-Z	High-Z	Output Disabled	Active
L	L	H	L	H	Dout	High-Z	Lower Byte Read	Active
L	L	H	H	L	High-Z	Dout	Upper Byte Read	Active
L	L	H	L	L	Dout	Dout	Word Read	Active
L	X ¹⁾	L	L	H	Din	High-Z	Lower Byte Write	Active
L	X ¹⁾	L	H	L	High-Z	Din	Upper Byte Write	Active
L	X ¹⁾	L	L	L	Din	Din	Word Write	Active

1. X means don't care. (Must be in low or high state)

ABSOLUTE MAXIMUM RATINGS¹⁾

Item	Symbol	Ratings	Unit	Remark
Voltage on any pin relative to V _{ss}	V _{IN} , V _{OUT}	-0.5 to 7.0	V	-
Voltage on V _{cc} supply relative to V _{ss}	V _{CC}	-0.5 to 7.0	V	-
Power Dissipation	P _D	1.0	W	-
Storage temperature	T _{STG}	-65 to 150	°C	-
Operating Temperature	T _A	0 to 70	°C	K6T4016C3C-B
		-40 to 85	°C	K6T4016C3C-F

1. Stresses greater than those listed under "Absolute Maximum Ratings" may cause permanent damage to the device. Functional operation should be restricted to recommended operating condition. Exposure to absolute maximum rating conditions for extended periods may affect reliability.

RECOMMENDED DC OPERATING CONDITIONS¹⁾

Item	Symbol	Min	Typ	Max	Unit
Supply voltage	V _{CC}	4.5	5.0	5.5	V
Ground	V _{SS}	0	0	0	V
Input high voltage	V _{IH}	2.2	-	V _{CC} +0.5 ²⁾	V
Input low voltage	V _{IL}	-0.5 ³⁾	-	0.8	V

Note:

- Commercial Product: T_A=0 to 70°C, otherwise specified
Industrial Product: T_A=-40 to 85°C, otherwise specified
- Overshoot: V_{CC}+3.0V in case of pulse width ≤ 30ns
- Undershoot: -3.0V in case of pulse width ≤ 30ns
- Overshoot and undershoot are sampled, not 100% tested.

CAPACITANCE¹⁾ (f=1MHz, T_A=25°C)

Item	Symbol	Test Condition	Min	Max	Unit
Input capacitance	C _{IN}	V _{IN} =0V	-	8	pF
Input/Output capacitance	C _{IO}	V _{IO} =0V	-	10	pF

- Capacitance is sampled, not 100% tested

DC AND OPERATING CHARACTERISTICS

Item	Symbol	Test Conditions	Min	Typ	Max	Unit
Input leakage current	I _{LI}	V _{IN} =V _{SS} to V _{CC}	-1	-	1	μA
Output leakage current	I _{LO}	$\overline{CS}=V_{IH}$ or $\overline{OE}=V_{IH}$ or $\overline{WE}=V_{IL}$, V _{IO} =V _{SS} to V _{CC}	-1	-	1	μA
Operating power supply	I _{CC}	I _{IO} =0mA, $\overline{CS}=V_{IL}$, V _{IN} =V _{IL} or V _{IH} , Read	-	-	10	mA
Average operating current	I _{CC1}	Cycle time=1μs, 100% duty, I _{IO} =0mA, $\overline{CS} \leq 0.2V$, V _{IN} ≤ 0.2V or V _{IN} ≥ V _{CC} -0.2V	-	-	15	mA
	I _{CC2}	Cycle time=Min, 100% duty, I _{IO} =0mA, $\overline{CS}=V_{IL}$, V _{IN} =V _{IH} or V _{IL}	-	-	90	mA
Output low voltage	V _{OL}	I _{OL} =2.1mA	-	-	0.4	V
Output high voltage	V _{OH}	I _{OH} =-1.0mA	2.4	-	-	V
Standby Current (TTL)	I _{SB}	$\overline{CS}=V_{IH}$, Other inputs=V _{IL} or V _{IH}	-	-	3	mA
Standby Current(CMOS)	I _{SB1}	$\overline{CS} \geq V_{CC}-0.2V$, Other inputs=0~V _{CC}	-	-	20 ¹⁾	μA

- Industrial Product = 50μA

AC OPERATING CONDITIONS

TEST CONDITIONS (Test Load and Test Input/Output Reference)

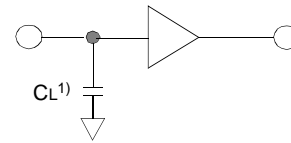
Input pulse level: 0.8 to 2.4V

Input rising and falling time: 5ns

Input and output reference voltage: 1.5V

Output load (See right): $C_L = 100\text{pF} + 1\text{TTL}$
 $50\text{pF} + 1\text{TTL}^1$

1. for 55ns product



1. Including scope and jig capacitance

AC CHARACTERISTICS ($V_{CC} = 4.5 - 5.5\text{V}$, Commercial product : $T_A = 0$ to 70°C , Industrial product : $T_A = -40$ to 85°C)

Parameter List		Symbol	Speed Bins				Units
			55ns		70ns		
			Min	Max	Min	Max	
Read	Read cycle time	t _{RC}	55	-	70	-	ns
	Address access time	t _{AA}	-	55	-	70	ns
	Chip select to output	t _{CO}	-	55	-	70	ns
	Output enable to valid output	t _{OE}	-	25	-	35	ns
	Chip select to low-Z output	t _{LZ}	10	-	10	-	ns
	Output enable to low-Z output	t _{OLZ}	5	-	5	-	ns
	$\overline{\text{LB}}$, $\overline{\text{UB}}$ enable to low-Z output	t _{BLZ}	5	-	5	-	ns
	Chip disable to high-Z output	t _{HZ}	0	20	0	25	ns
	$\overline{\text{OE}}$ disable to high-Z output	t _{OHZ}	0	20	0	25	ns
	Output hold from address change	t _{OH}	10	-	10	-	ns
	$\overline{\text{LB}}$, $\overline{\text{UB}}$ valid to data output	t _{BA}	-	25	-	35	ns
Write	$\overline{\text{UB}}$, $\overline{\text{LB}}$ disable to high-Z output	t _{BHZ}	0	20	0	25	ns
	Write cycle time	t _{WC}	55	-	70	-	ns
	Chip select to end of write	t _{CW}	45	-	60	-	ns
	Address set-up time	t _{AS}	0	-	0	-	ns
	Address valid to end of write	t _{AW}	45	-	60	-	ns
	Write pulse width	t _{WP}	45	-	55	-	ns
	Write recovery time	t _{WR}	0	-	0	-	ns
	Write to output high-Z	t _{WHZ}	0	20	0	25	ns
	Data to write time overlap	t _{DW}	25	-	30	-	ns
	Data hold from write time	t _{DH}	0	-	0	-	ns
	End write to output low-Z	t _{OW}	5	-	5	-	ns
$\overline{\text{LB}}$, $\overline{\text{UB}}$ valid to end of write	t _{BW}	45	-	60	-	ns	

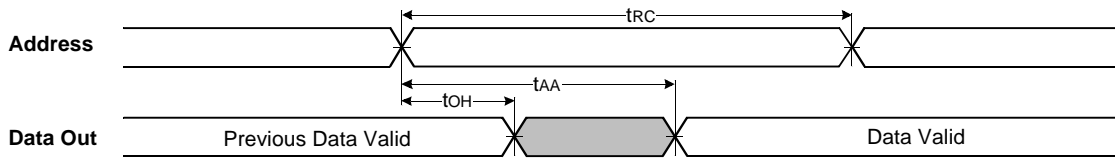
DATA RETENTION CHARACTERISTICS

Item	Symbol	Test Condition	Min	Typ	Max	Unit
V _{CC} for data retention	V _{DR}	$\overline{\text{CS}} \geq V_{CC} - 0.2\text{V}$	2.0	-	5.5	V
Data retention current	I _{DR}	V _{CC} = 3.0V	-	-	15 ¹⁾	μA
Data retention set-up time	t _{SDR}	See data retention waveform	0	-	-	ms
Recovery time	t _{RDR}		5	-	-	

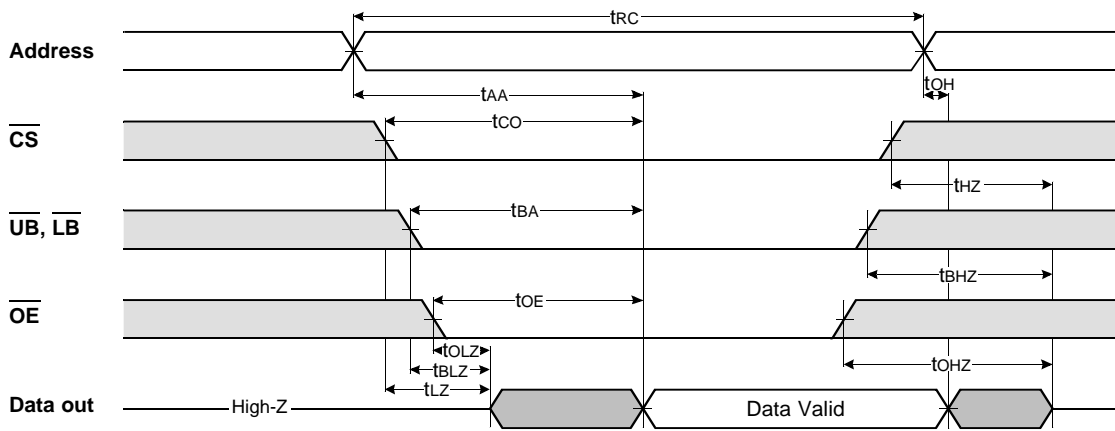
1. Industrial Product: 20μA

TIMING DIAGRAMS

TIMING WAVEFORM OF READ CYCLE(1) (Address Controlled, $\overline{CS}=\overline{OE}=V_{IL}$, $\overline{WE}=V_{IH}$, \overline{UB} or/and $\overline{LB}=V_{IL}$)



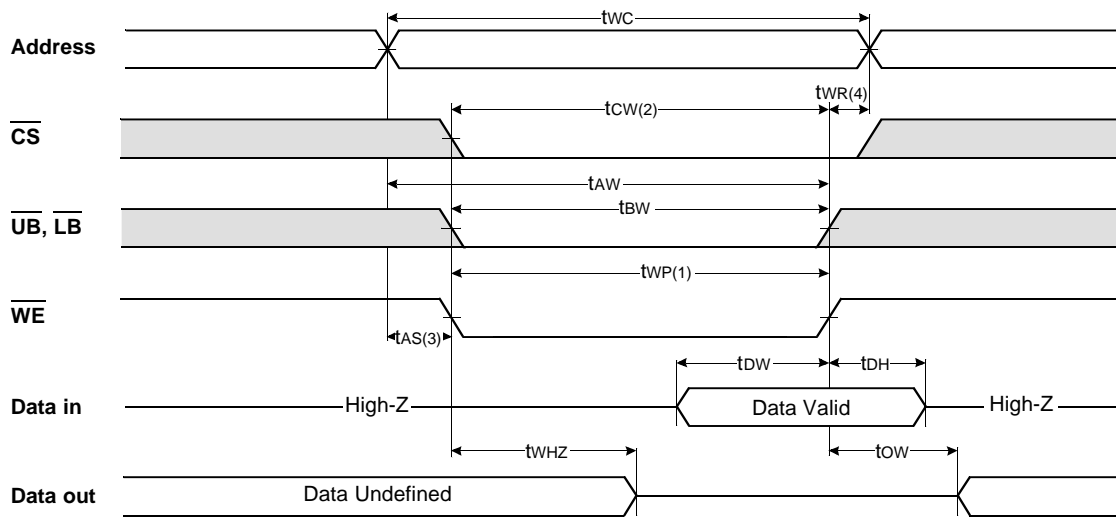
TIMING WAVEFORM OF READ CYCLE(2) ($\overline{WE}=V_{IH}$)



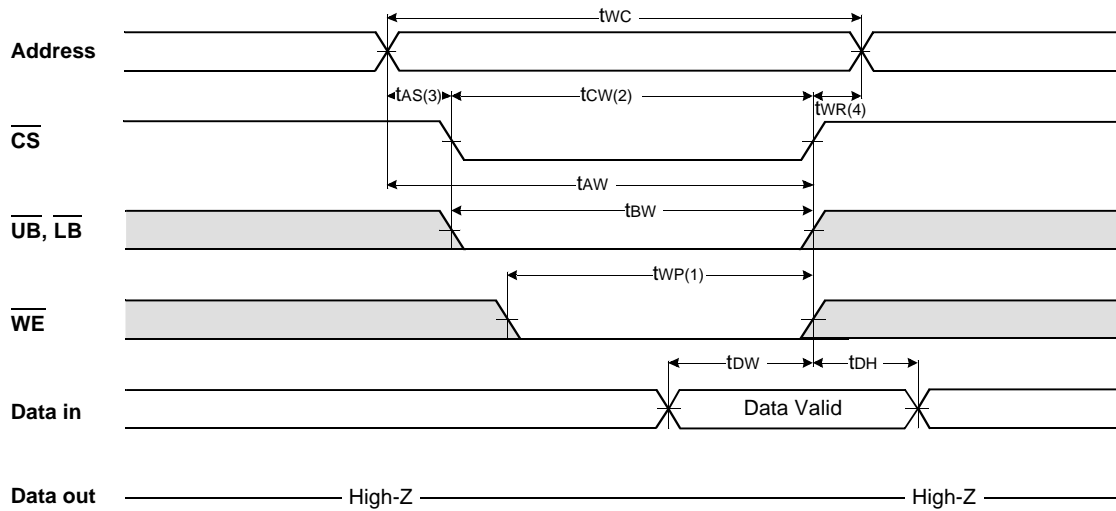
NOTES (READ CYCLE)

1. t_{HZ} and t_{OHZ} are defined as the time at which the outputs achieve the open circuit conditions and are not referenced to output voltage levels.
2. At any given temperature and voltage condition, $t_{HZ}(\text{Max.})$ is less than $t_{LZ}(\text{Min.})$ both for a given device and from device to device interconnection.

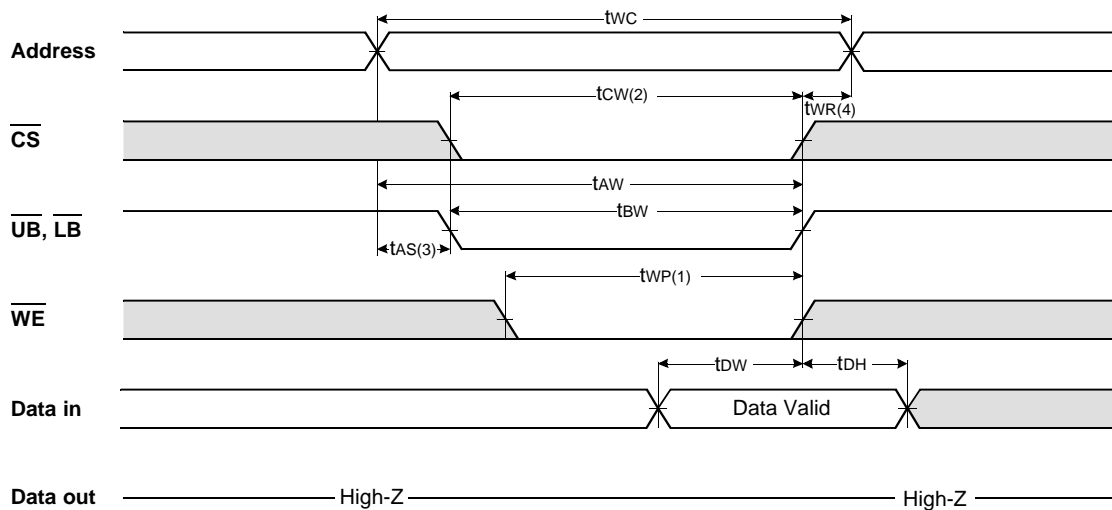
TIMING WAVEFORM OF WRITE CYCLE(1) (\overline{WE} Controlled)



TIMING WAVEFORM OF WRITE CYCLE(2) (\overline{CS} Controlled)



TIMING WAVEFORM OF WRITE CYCLE(3) (\overline{UB} , \overline{LB} Controlled)

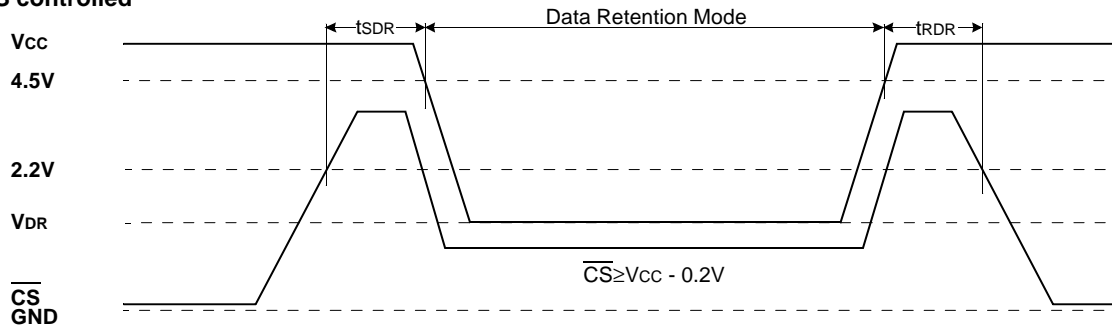


NOTES (WRITE CYCLE)

1. A write occurs during the overlap (t_{WP}) of low \overline{CS} and low \overline{WE} . A write begins when \overline{CS} goes low and \overline{WE} goes low with asserting \overline{UB} or \overline{LB} for single byte operation or simultaneously asserting \overline{UB} and \overline{LB} for double byte operation. A write ends at the earliest transition when \overline{CS} goes high and \overline{WE} goes high. The t_{WP} is measured from the beginning of write to the end of write.
2. t_{CW} is measured from the \overline{CS} going low to the end of write.
3. t_{AS} is measured from the address valid to the beginning of write.
4. t_{WR} is measured from the end of write to the address change. t_{WR} applied in case a write ends as \overline{CS} or \overline{WE} going high.

DATA RETENTION WAVE FORM

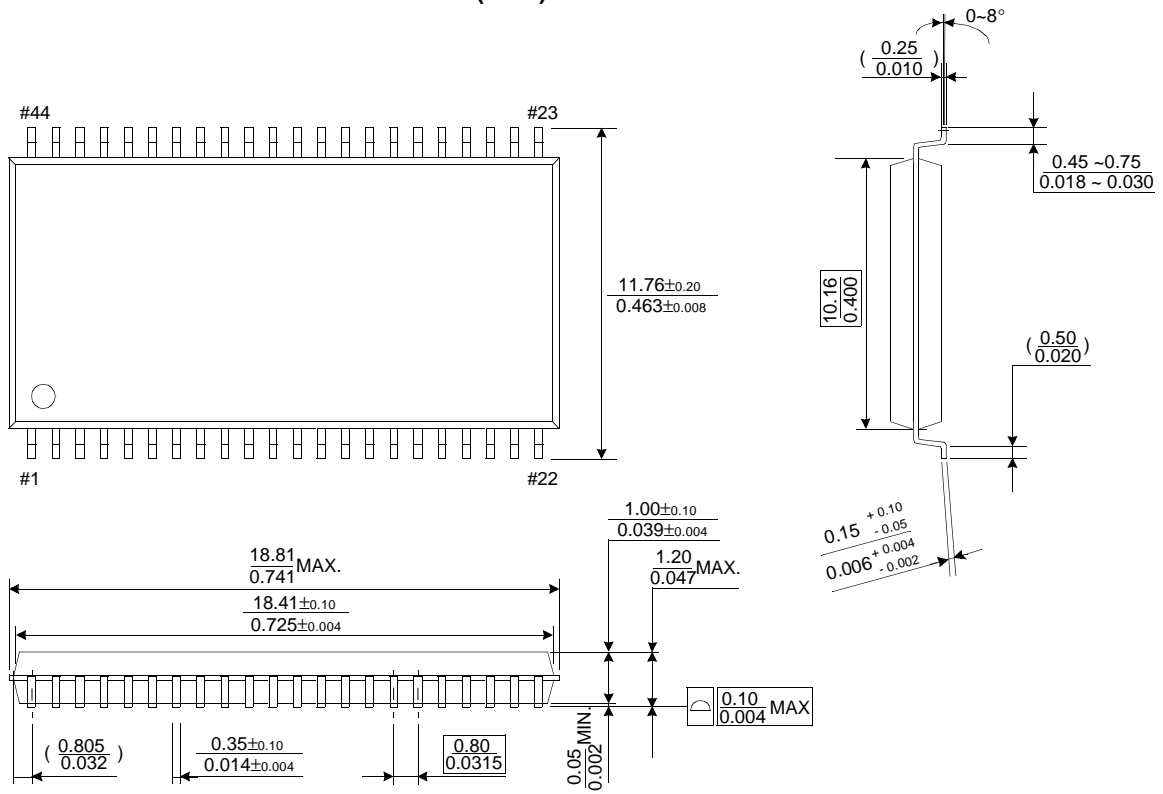
\overline{CS} controlled



PACKAGE DIMENSIONS

Units: millimeter(inch)

44 PIN THIN SMALL OUTLINE PACKAGE TYPE II (400F)



44 PIN THIN SMALL OUTLINE PACKAGE TYPE II (400R)

