

## VSC8144

2.488Gb/s 4:1 SONET/SDH Transceiver with Integrated Clock Generator

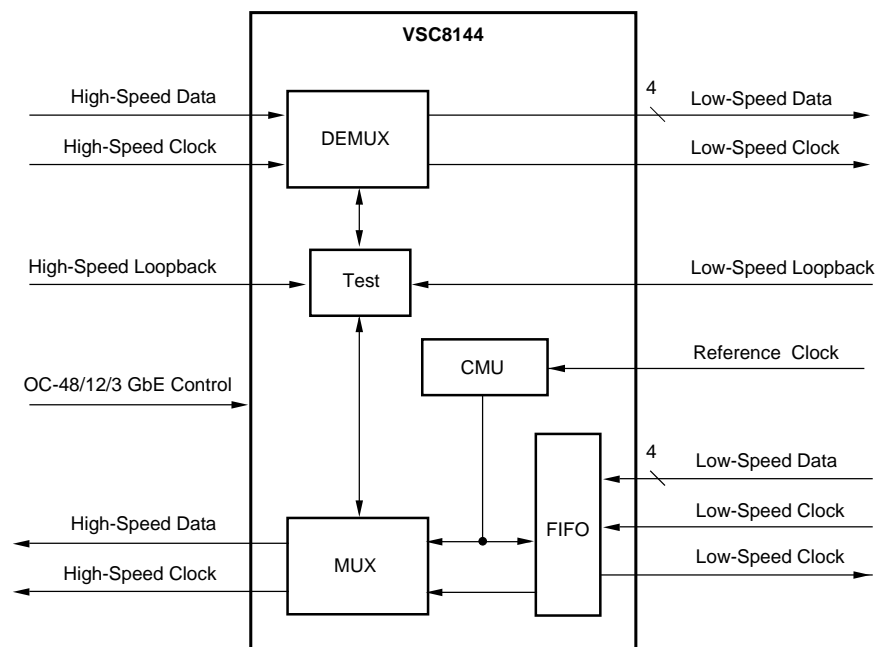
### Features

- Multi-Rate Transceiver for SONET OC-48, OC-24, OC-12, OC-3, and Gigabit Ethernet Rates
- 4-Bit LVDS Low-Speed Interface
- On-Chip PLL-Based Clock Generator
- High-Speed Clock Output
- Equipment, Facility and Split Loopback Modes
- Exceeds Bellcore Jitter Performance
- Single 3.3V Power Supply
- 2.5 W Maximum Power Dissipation
- 100-Pin PQFP (14x14x2mm)

### General Description

The VSC8144 is a SONET/SDH compatible multi-rate transceiver with integrated clock generator for use in SONET/SDH systems operating at OC-48, OC-24, OC-12, OC-3, or Gigabit Ethernet data rates. The internal clock generator uses a Phase Locked Loop (PLL) to multiply either a 77.76MHz, 155.52MHz, or 622.08MHz reference clock for internal logic and output retiming. The 4-bit parallel LVDS interface incorporates an on-board FIFO to address loop timing design issues. Facility and Equipment Loopbacks can be configured separately or simultaneously. The device operates with 2.5 W maximum power and is packaged in a thermally enhanced 100-pin PQFP package.

### Block Diagram



### Order Information

Product	Package
VSC8144QQ	100-Pin PQFP

### Notice

Vitesse Semiconductor Corporation ("Vitesse") provides this document for informational purposes only. This document contains pre-production information about Vitesse products in their concept, development and/or testing phase. All information in this document, including descriptions of features, functions, performance, technical specifications and availability, is subject to change without notice at any time. Nothing contained in this document shall be construed as extending any warranty or promise, express or implied, that any Vitesse product will be available as described or will be suitable for or will accomplish any particular task. Vitesse products are not intended for use in life support appliances, devices or systems. Use of a Vitesse product in such applications without written consent is prohibited.